



US00D894839S

(12) **United States Design Patent**
Chen

(10) **Patent No.:** **US D894,839 S**
(45) **Date of Patent:** **** Sep. 1, 2020**

(54) **SOCKET**
(71) Applicant: **SHENZHEN ANHAORUIHE ELECTRONICS CO., LTD**, Shenzhen (CN)
(72) Inventor: **Xinhe Chen**, Shenzhen (CN)
(73) Assignee: **SHENZHEN ANHAORUIHE ELECTRONICS CO., LTD**, Shenzhen (CN)

D844,566 S * 4/2019 Yu D13/139.7
D846,498 S * 4/2019 Byrne H02J 7/0042
D13/108
D851,598 S 6/2019 Liang
D858,436 S * 9/2019 Chen D13/108
D858,448 S * 9/2019 Zhou D13/137.4
D860,947 S * 9/2019 Sumida D13/137.2
D866,472 S * 11/2019 Eshelman D13/139.7
D871,343 S 12/2019 Yu
D872,028 S * 1/2020 Eshelman D13/139.7
D881,820 S * 4/2020 Li D13/139.8
2009/0156061 A1 * 6/2009 Bernstein H01R 31/06
439/652

(**) Term: **15 Years**

* cited by examiner

(21) Appl. No.: **29/734,483**

Primary Examiner — Rhea Shields

(22) Filed: **May 13, 2020**

(57) **CLAIM**

The ornamental design for a socket, as shown and described.

(51) **LOC (12) Cl.** **13-03**

DESCRIPTION

(52) **U.S. Cl.**
USPC **D13/139.7**

(58) **Field of Classification Search**
USPC D13/139.1–139.8, 108; D21/373
CPC H02J 7/0042; H01R 31/06
See application file for complete search history.

FIG. 1 is a perspective view of a socket showing my new design;
FIG. 2 is another perspective view thereof;
FIG. 3 is a front elevational view thereof;
FIG. 4 is a rear elevational view thereof;
FIG. 5 is a left side elevational view thereof;
FIG. 6 is a right side elevational view thereof;
FIG. 7 is a top plan view thereof; and,
FIG. 8 is a bottom plan view thereof.

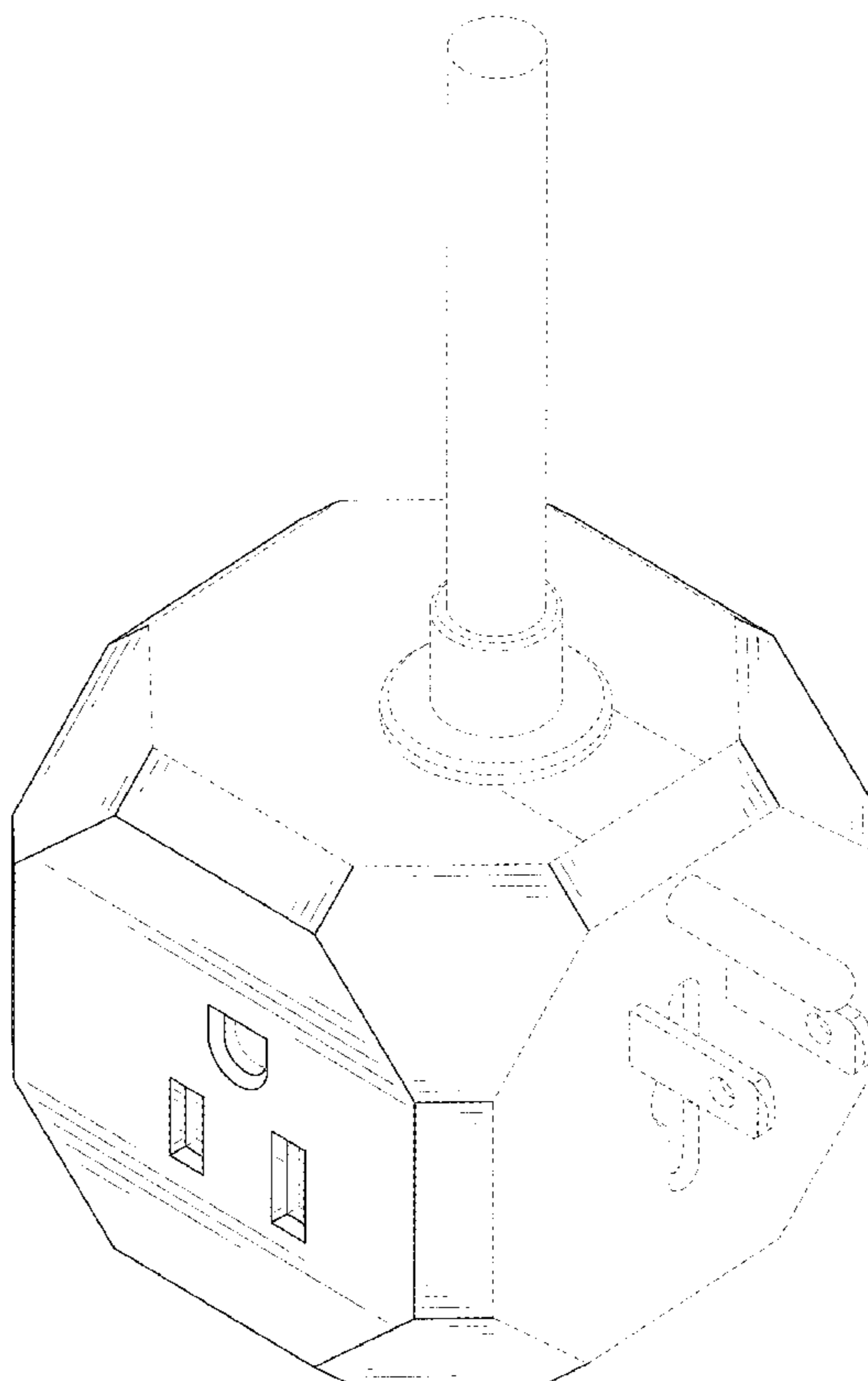
The broken lines in the drawings depict portions of the socket that form no part of the claimed design.

(56) **References Cited**

U.S. PATENT DOCUMENTS

D739,355 S * 9/2015 D'Aubeterre D13/139.8
D771,750 S * 11/2016 Fjelstad D21/373
D834,520 S * 11/2018 Eshelman D13/139.7
D835,042 S 12/2018 Qiu et al.

1 Claim, 8 Drawing Sheets



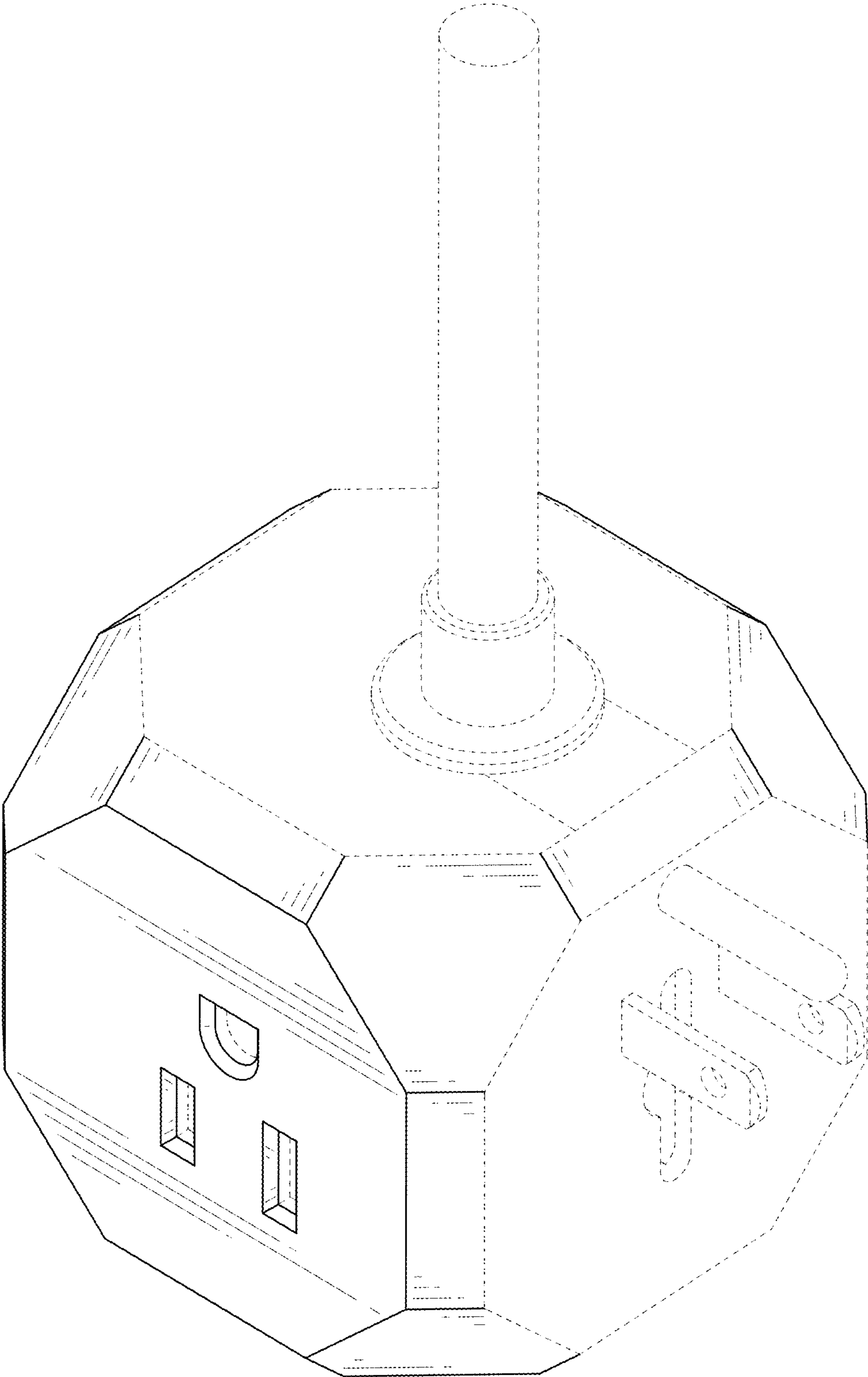


FIG. 1

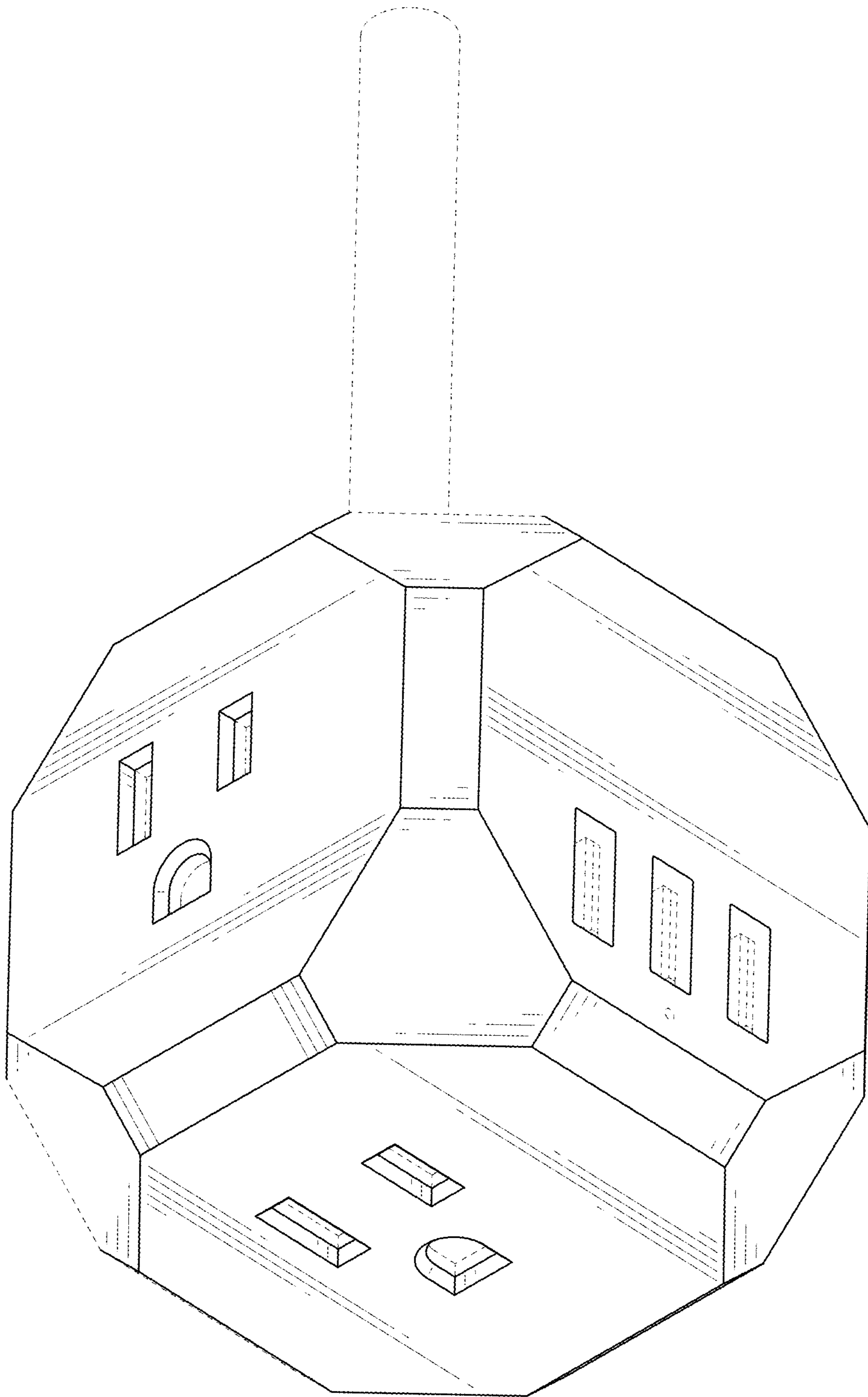


FIG. 2

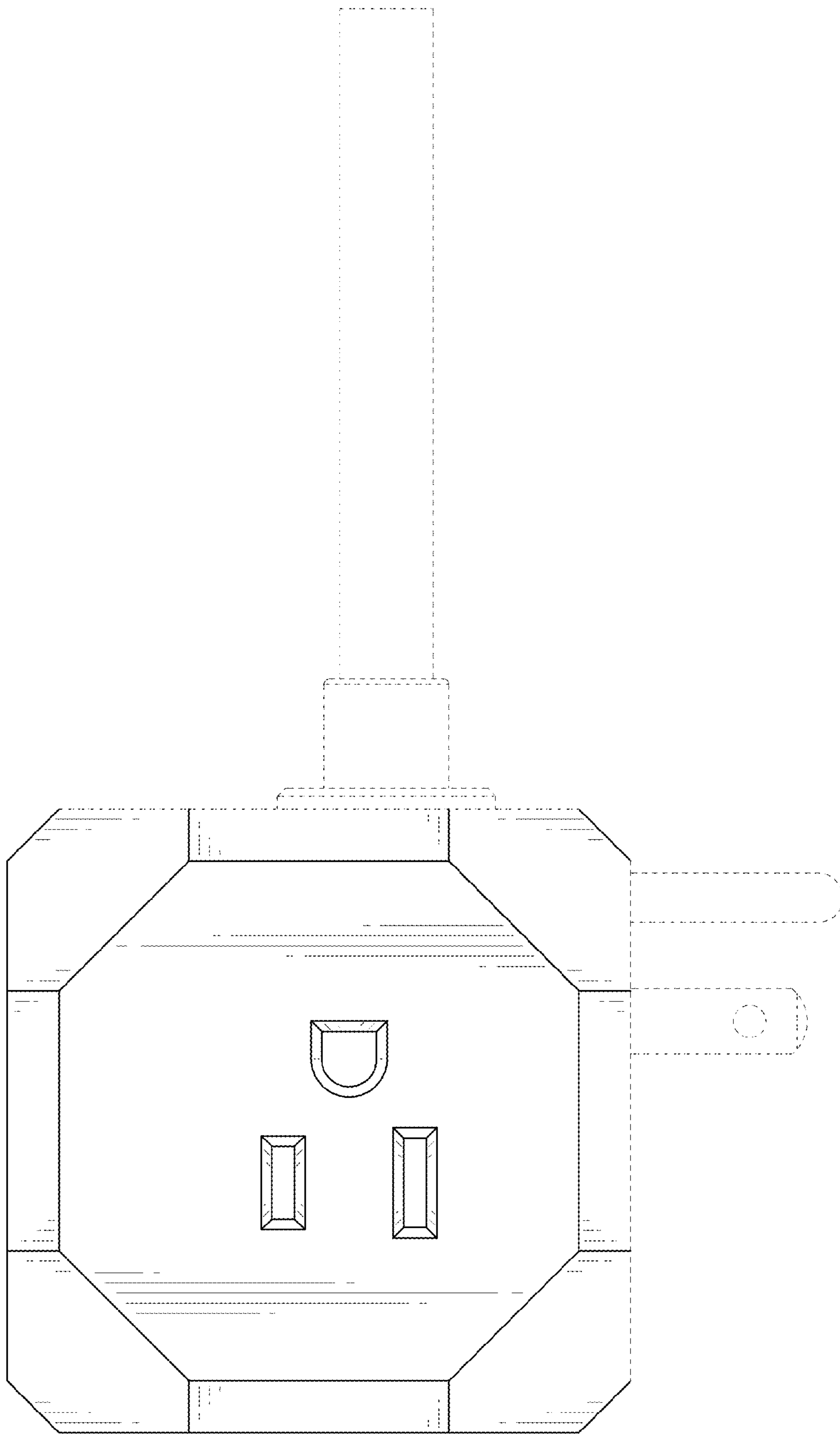


FIG. 3

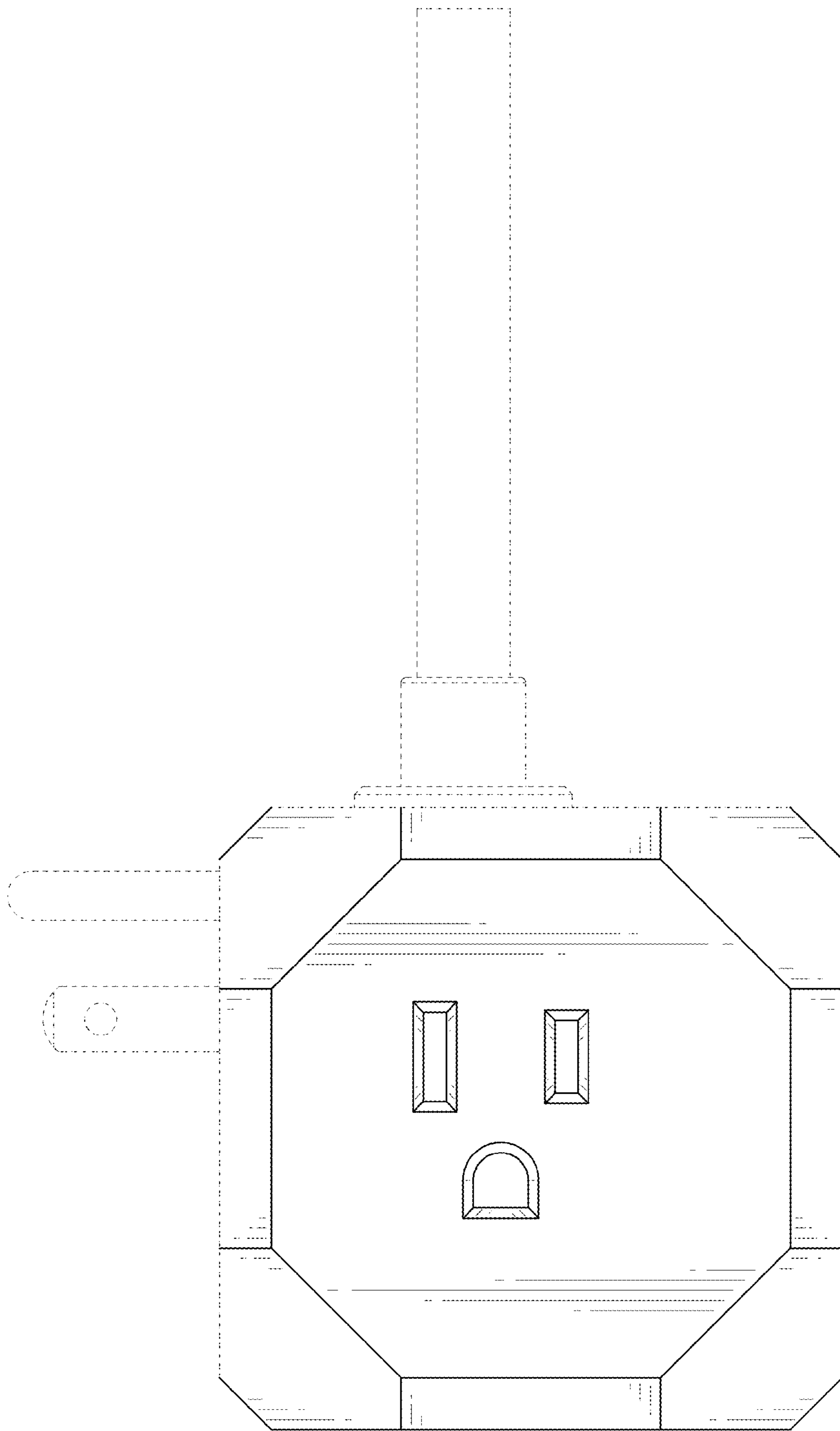


FIG. 4

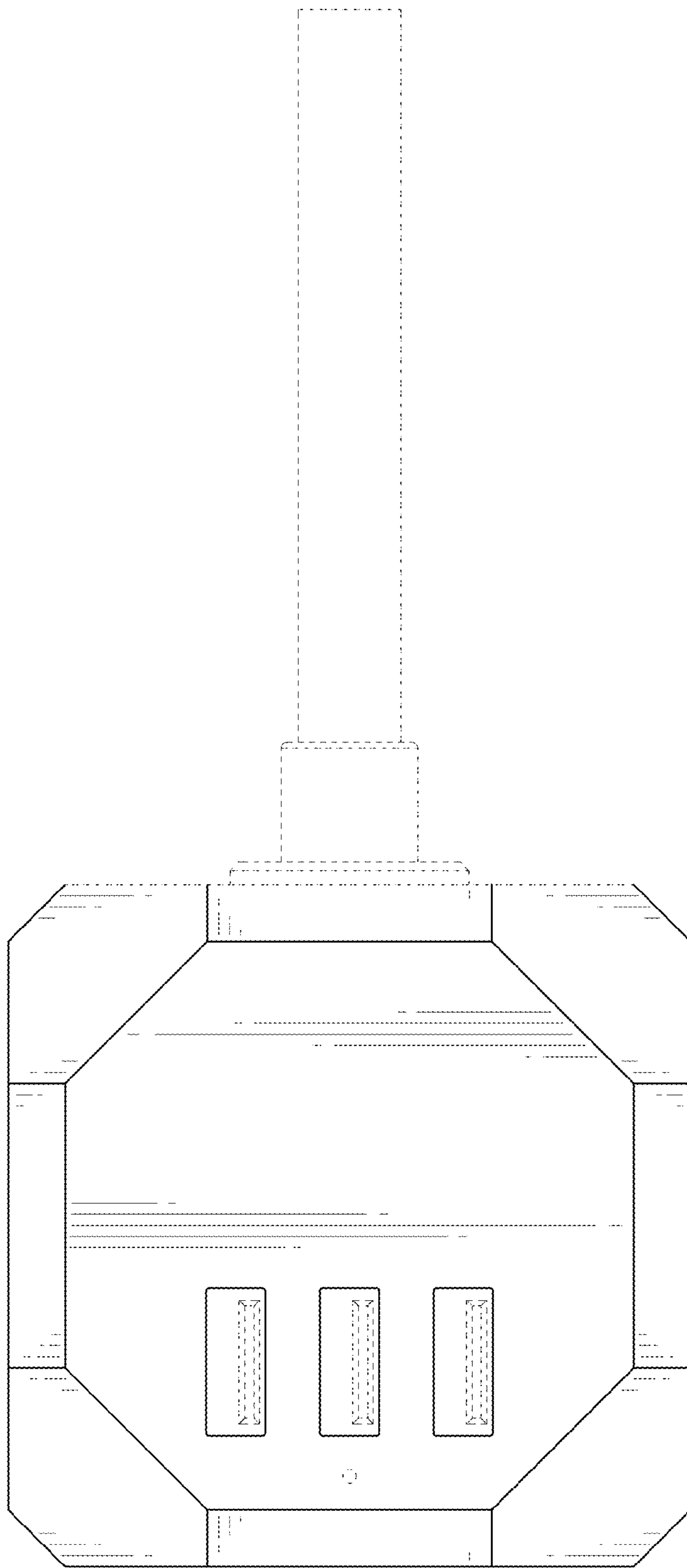


FIG. 5

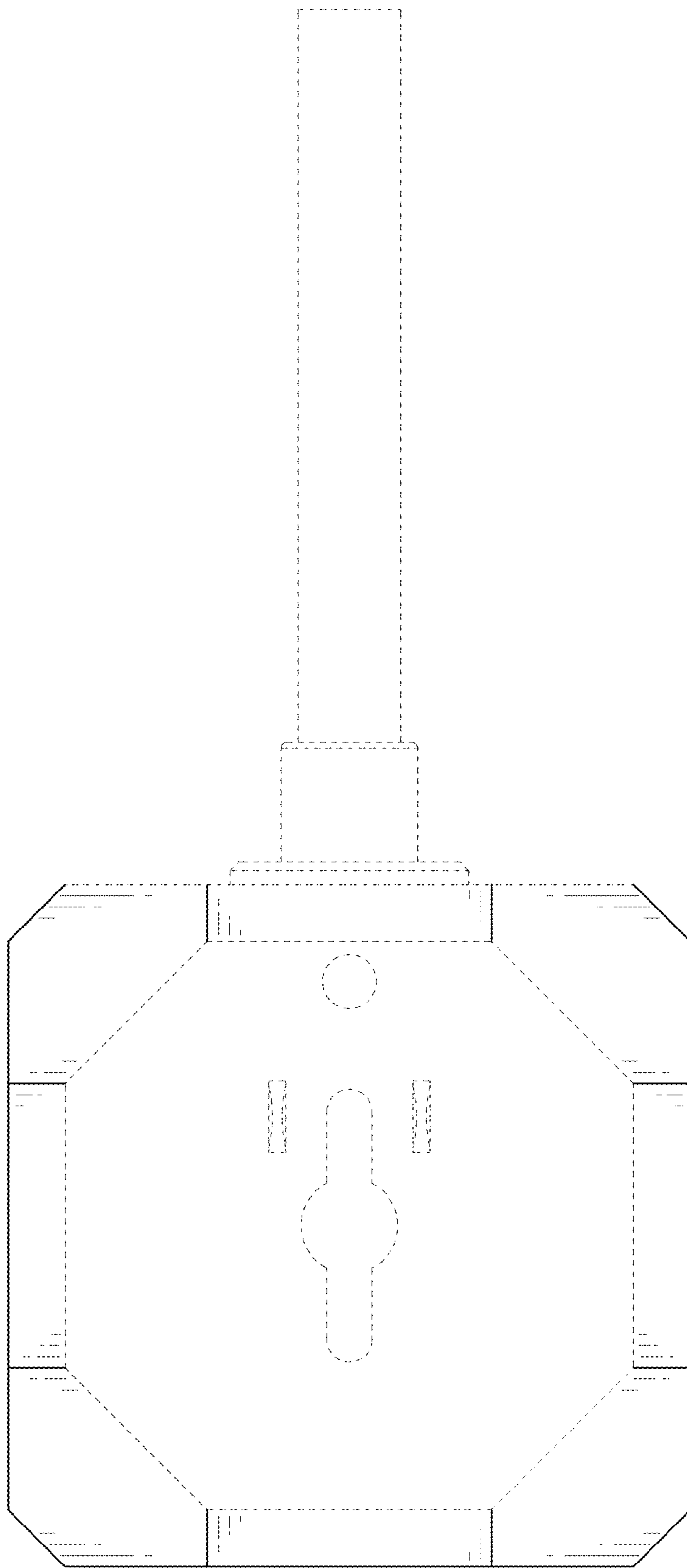


FIG. 6

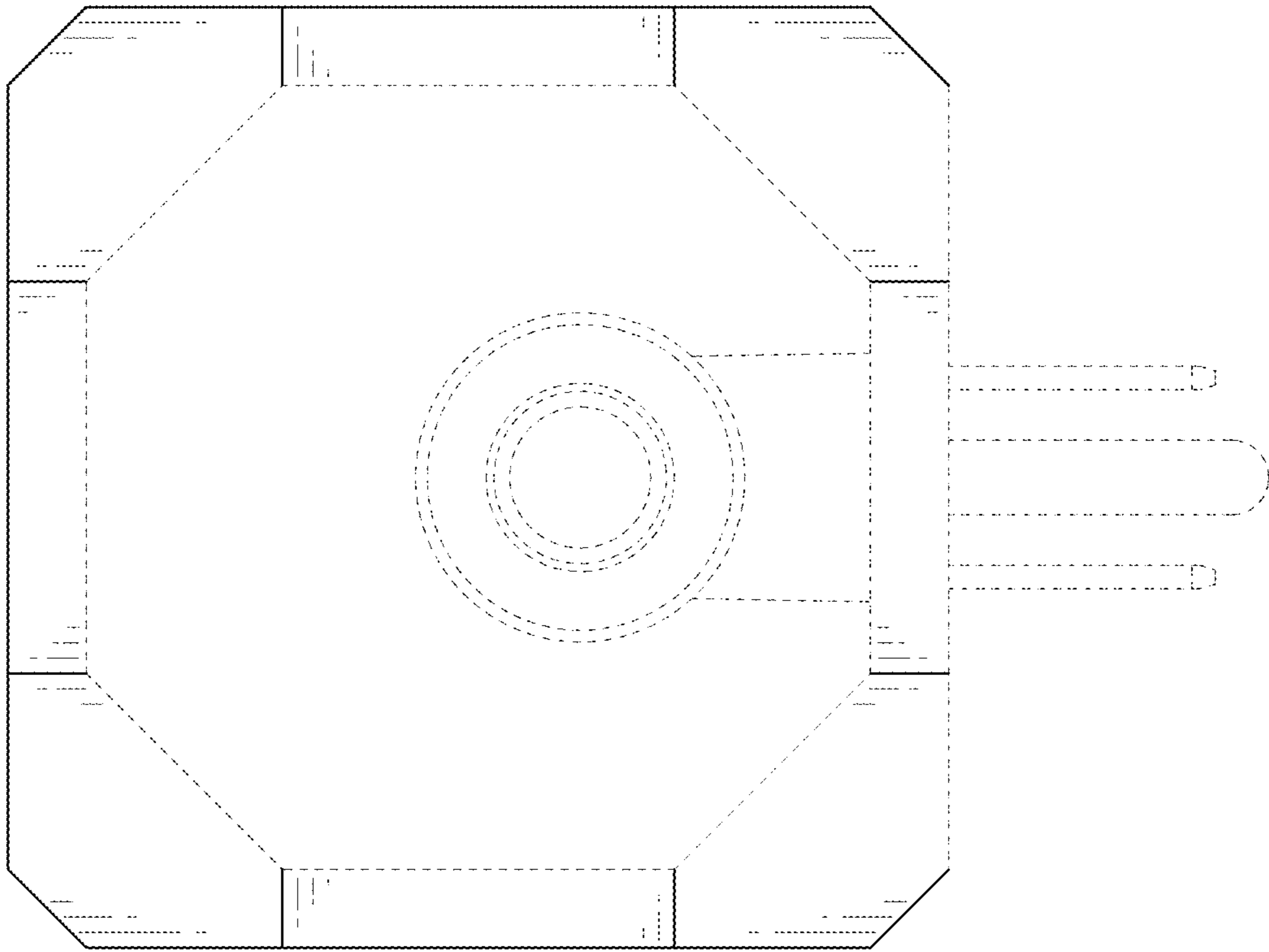


FIG. 7

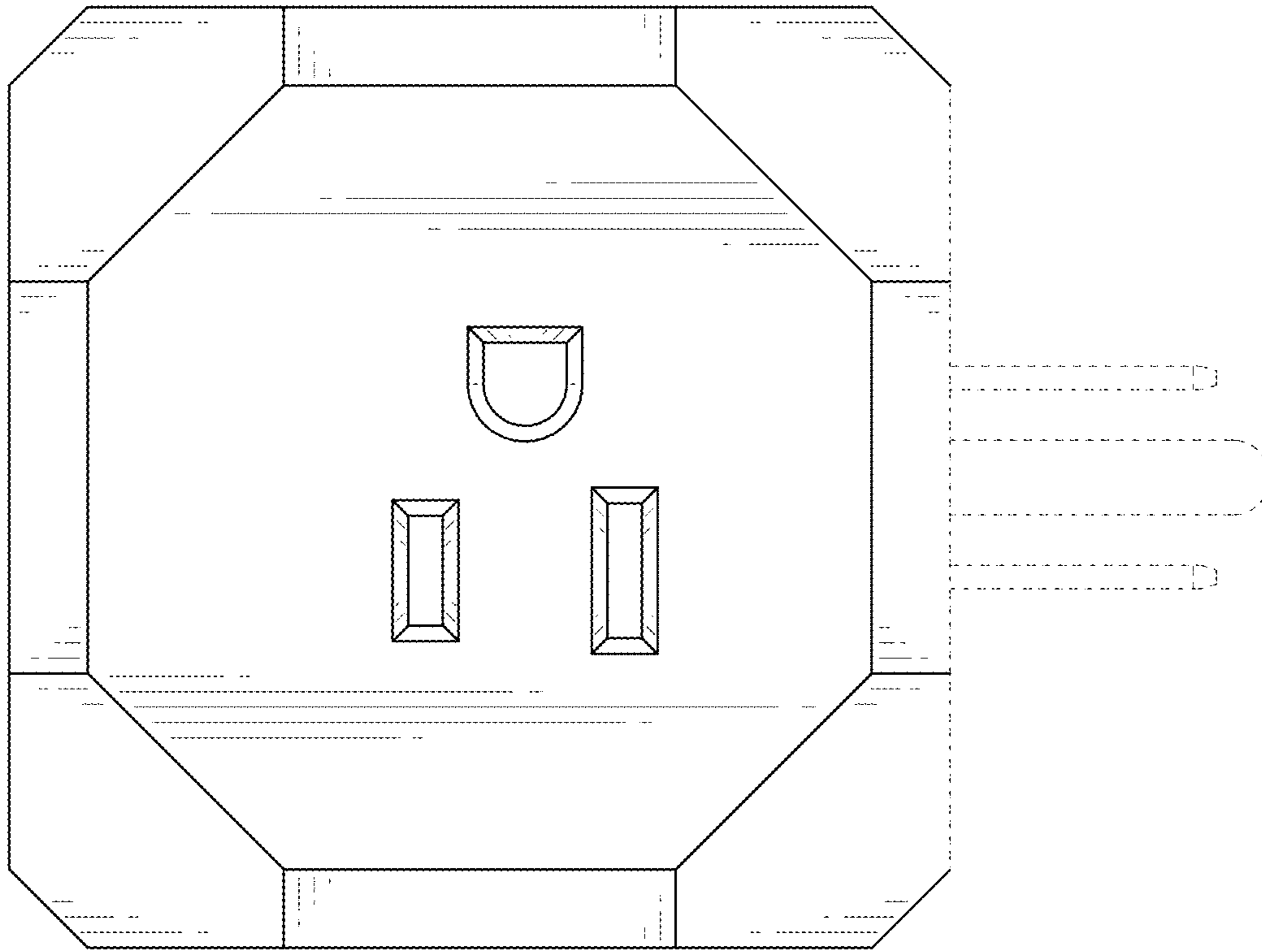


FIG. 8