



US00D894836S

(12) **United States Design Patent**  
**Obata et al.**

(10) **Patent No.:** **US D894,836 S**  
(45) **Date of Patent:** **\*\* Sep. 1, 2020**

(54) **CONNECTOR**

(71) Applicant: **Japan Aviation Electronics Industry, Limited**, Tokyo (JP)

(72) Inventors: **Yusuke Obata**, Tokyo (JP); **Hiroaki Obikane**, Tokyo (JP)

(73) Assignee: **JAPAN AVIATION ELECTRONICS INDUSTRY, LIMITED**, Tokyo (JP)

(\*\*) Term: **15 Years**

(21) Appl. No.: **29/690,109**

(22) Filed: **May 6, 2019**

(30) **Foreign Application Priority Data**

Nov. 20, 2018 (JP) ..... 2018-025318

(51) **LOC (12) Cl.** ..... **13-03**

(52) **U.S. Cl.**  
USPC ..... **D13/133; D13/146**

(58) **Field of Classification Search**  
USPC ..... D13/123, 133, 146, 147, 149, 154, 156,  
D13/173, 184, 199  
CPC .... H01R 13/443; H01R 13/506; H01R 13/52;  
H01R 13/627; H01R 13/642  
See application file for complete search history.

(56) **References Cited**

**U.S. PATENT DOCUMENTS**

D524,736 S *	7/2006	Morita	.....	D13/133
D556,688 S *	12/2007	Shogaki	.....	D13/133
D589,884 S *	4/2009	Arai	.....	D13/133
D651,567 S *	1/2012	Hodge	.....	D13/133
D806,653 S *	1/2018	DeCosta	.....	D13/133
D870,673 S *	12/2019	Obata	.....	D13/147
D873,777 S *	1/2020	Obata	.....	D13/147
2012/0208400 A1 *	8/2012	De Chazal	.....	H01R 13/6581 439/607.58
2019/0081436 A1 *	3/2019	Onodi	.....	H01R 13/5219

2019/0097354 A1 *	3/2019	Zheng	.....	H01R 13/6272
2019/0140384 A1 *	5/2019	Miyoshi	.....	H01R 13/405
2019/0356076 A1 *	11/2019	Obata	.....	H01R 13/443

**FOREIGN PATENT DOCUMENTS**

JP 1609826 S 7/2018

**OTHER PUBLICATIONS**

Japan Patent Office, "Office Action for Japanese Design Application No. 2018-025318," Apr. 26, 2019.

\* cited by examiner

*Primary Examiner* — Angela J Lee

*Assistant Examiner* — Shawn T Gingrich

(74) *Attorney, Agent, or Firm* — Manabu Kanesaka

(57) **CLAIM**

The ornamental design for a connector, as shown and described.

**DESCRIPTION**

FIG. 1 is a front elevational view of a connector showing our new design;

FIG. 2 is a rear elevational view thereof;

FIG. 3 is a right side elevational view thereof;

FIG. 4 is a left side elevational view thereof;

FIG. 5 is a top plan view thereof;

FIG. 6 is a bottom plan view thereof;

FIG. 7 is a perspective view showing a front, top and right side thereof;

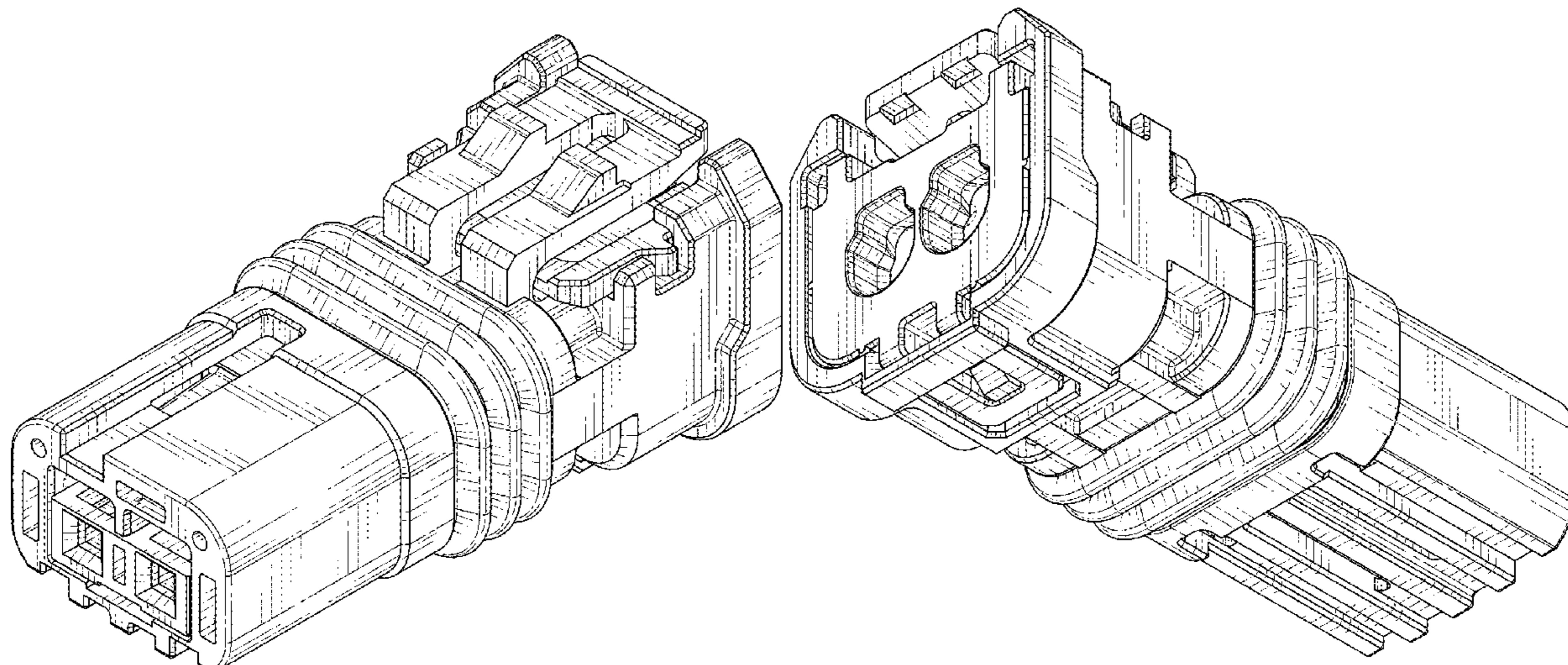
FIG. 8 is a perspective view showing a rear, bottom and left side thereof;

FIG. 9 is a perspective view showing a front, right and bottom side thereof; and,

FIG. 10 is a perspective view showing a rear, left and top side thereof.

The broken line showing of the connector is for the purpose of illustrating portions of the article and forms no part of the claimed design.

**1 Claim, 5 Drawing Sheets**



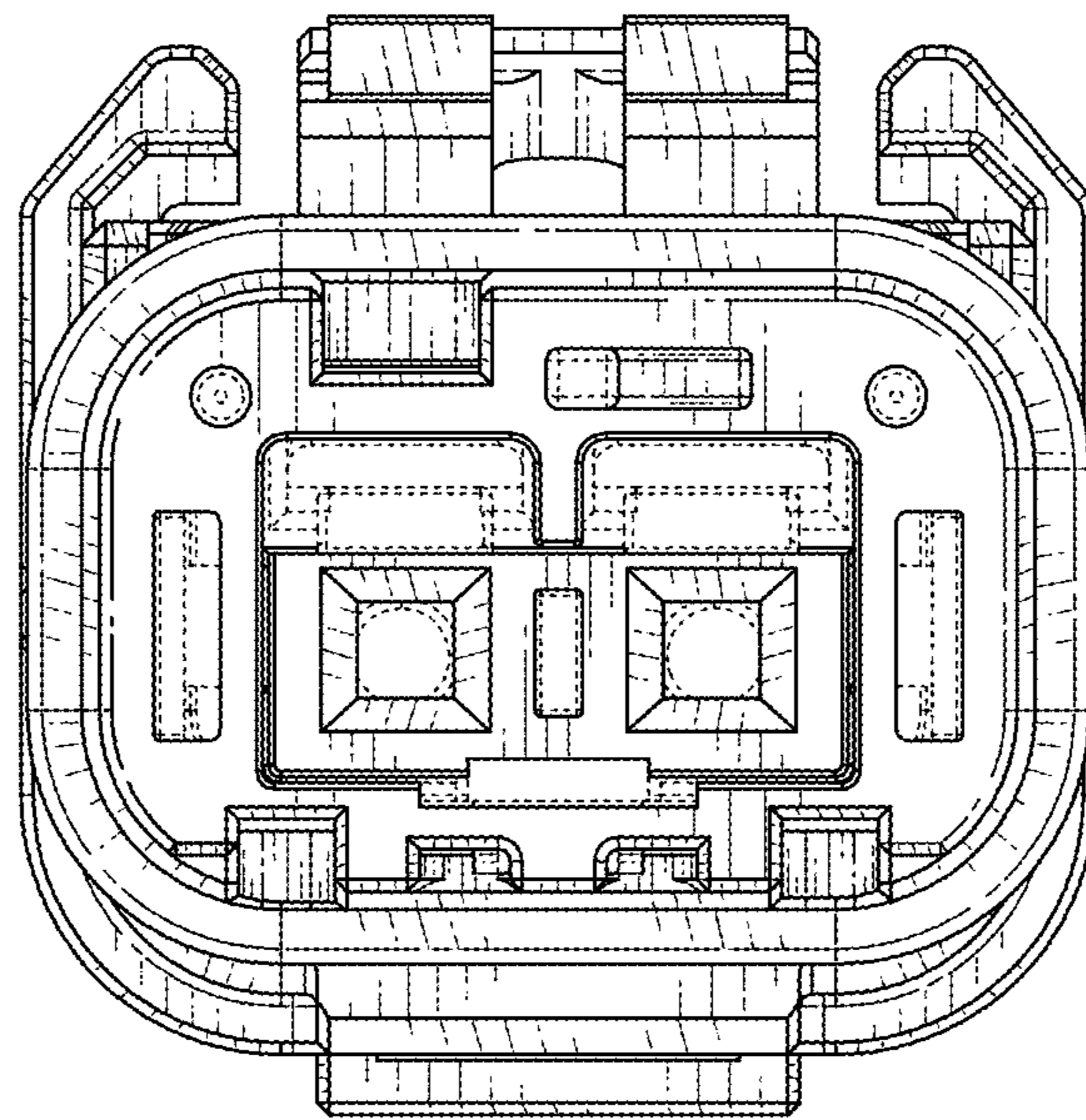


FIG. 1

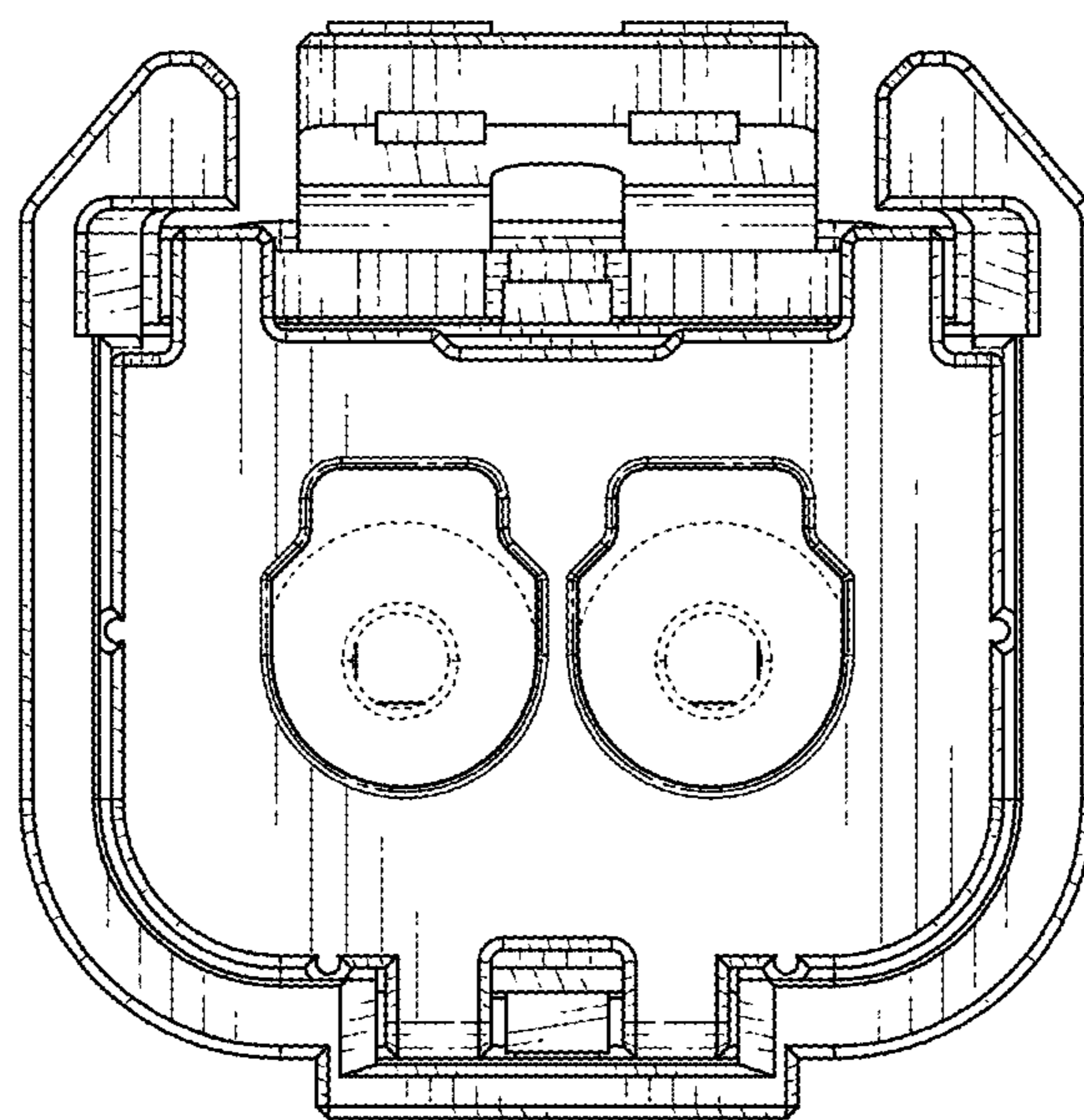


FIG. 2

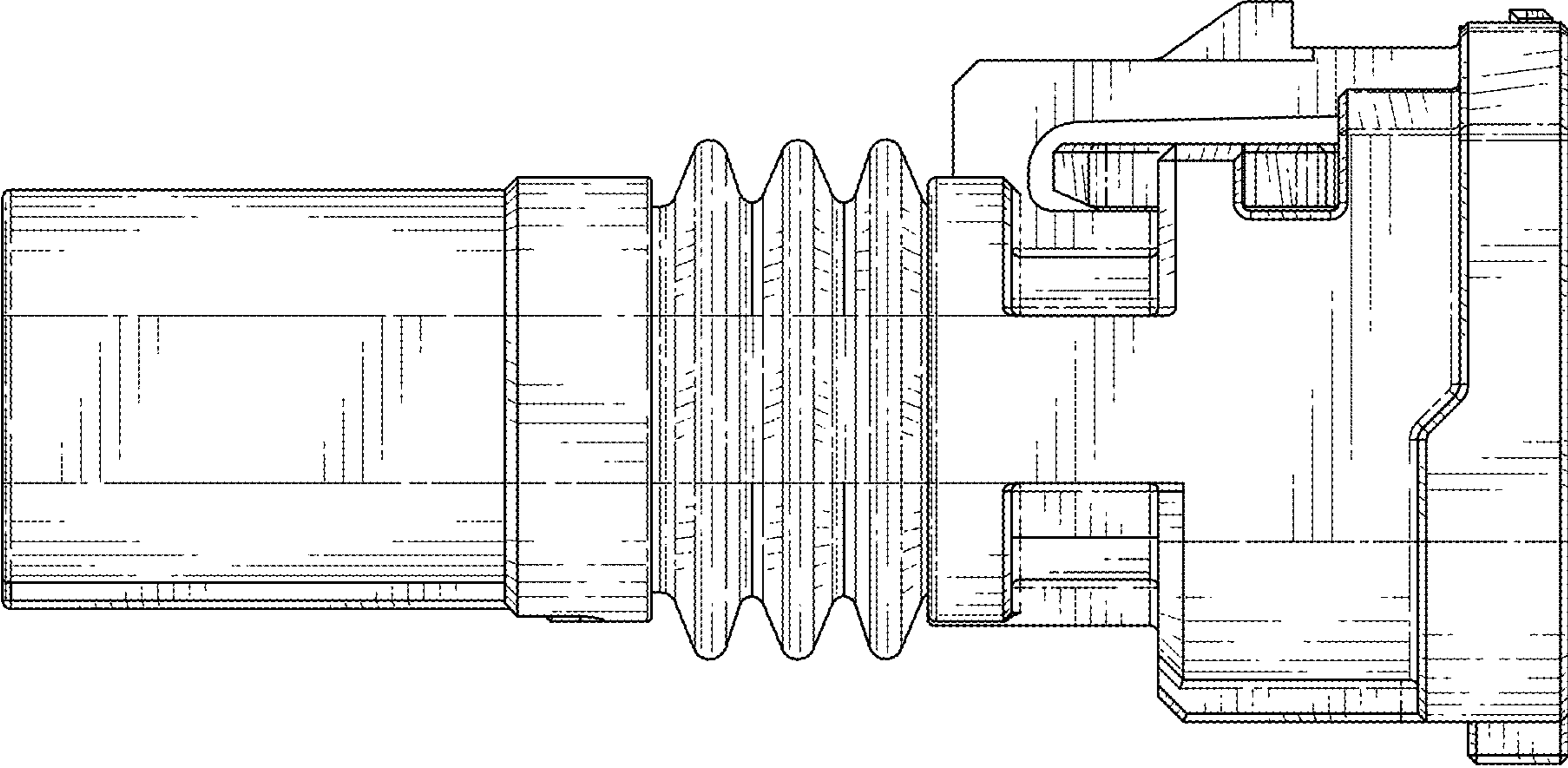


FIG. 3

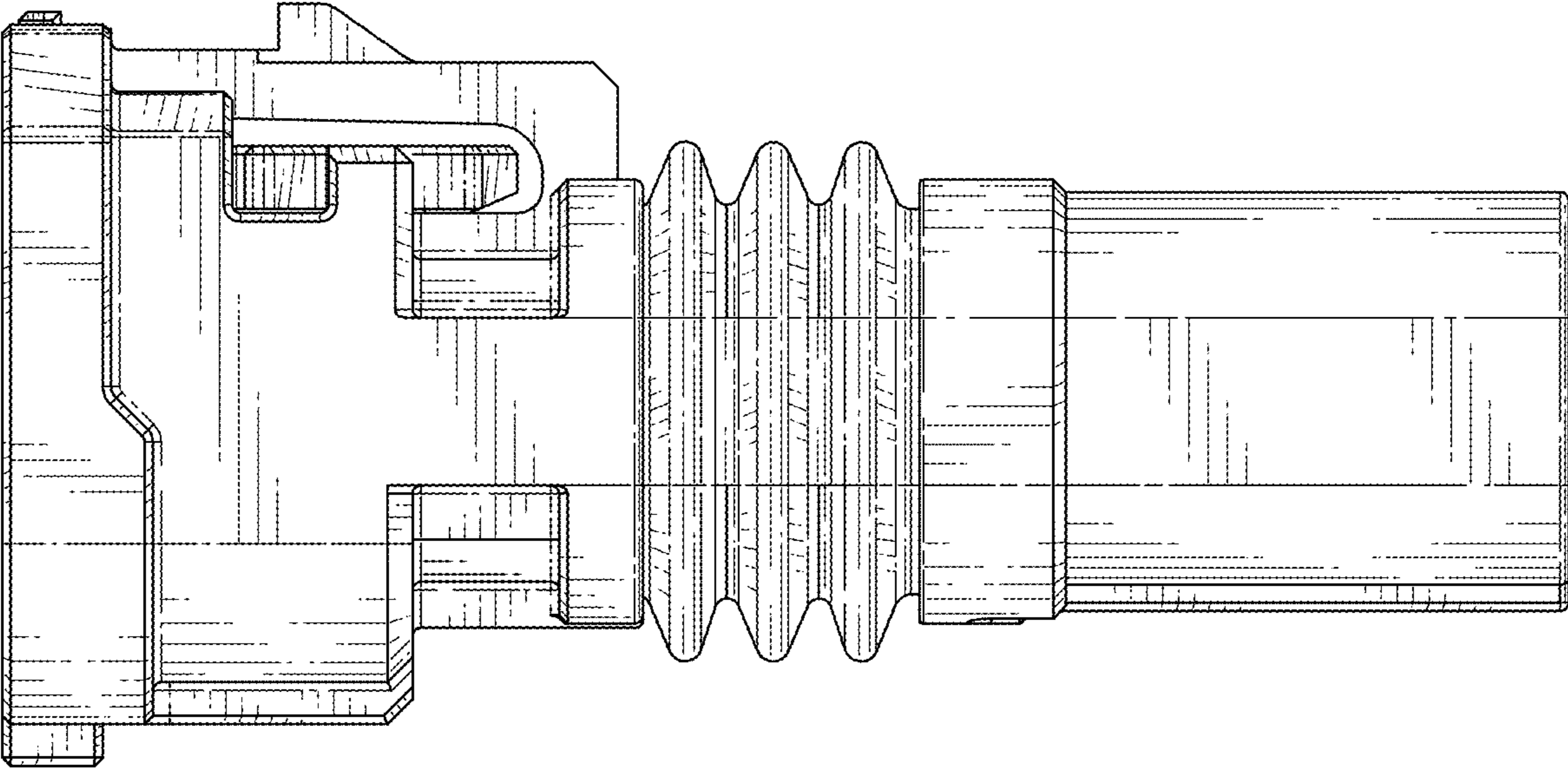


FIG. 4

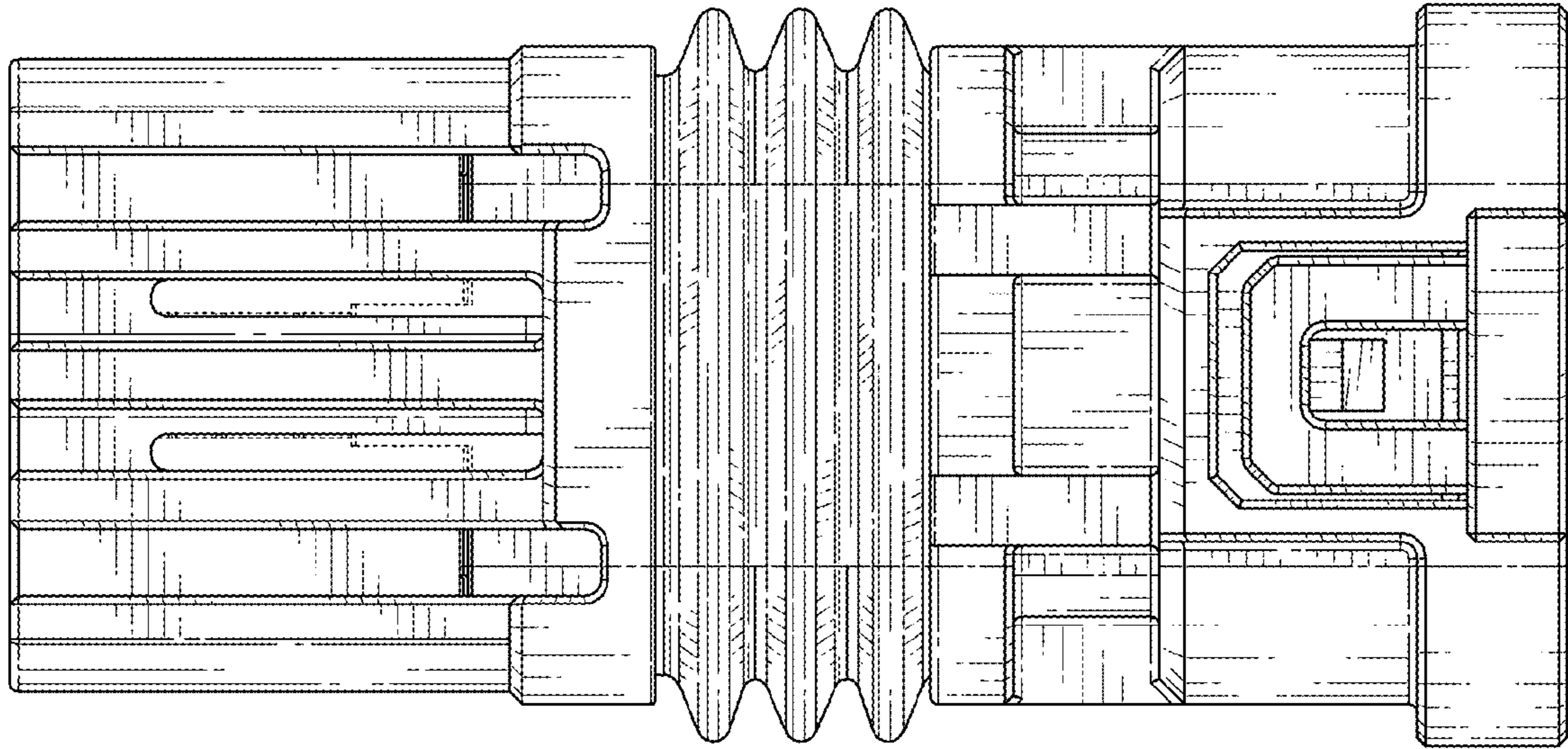


FIG. 6

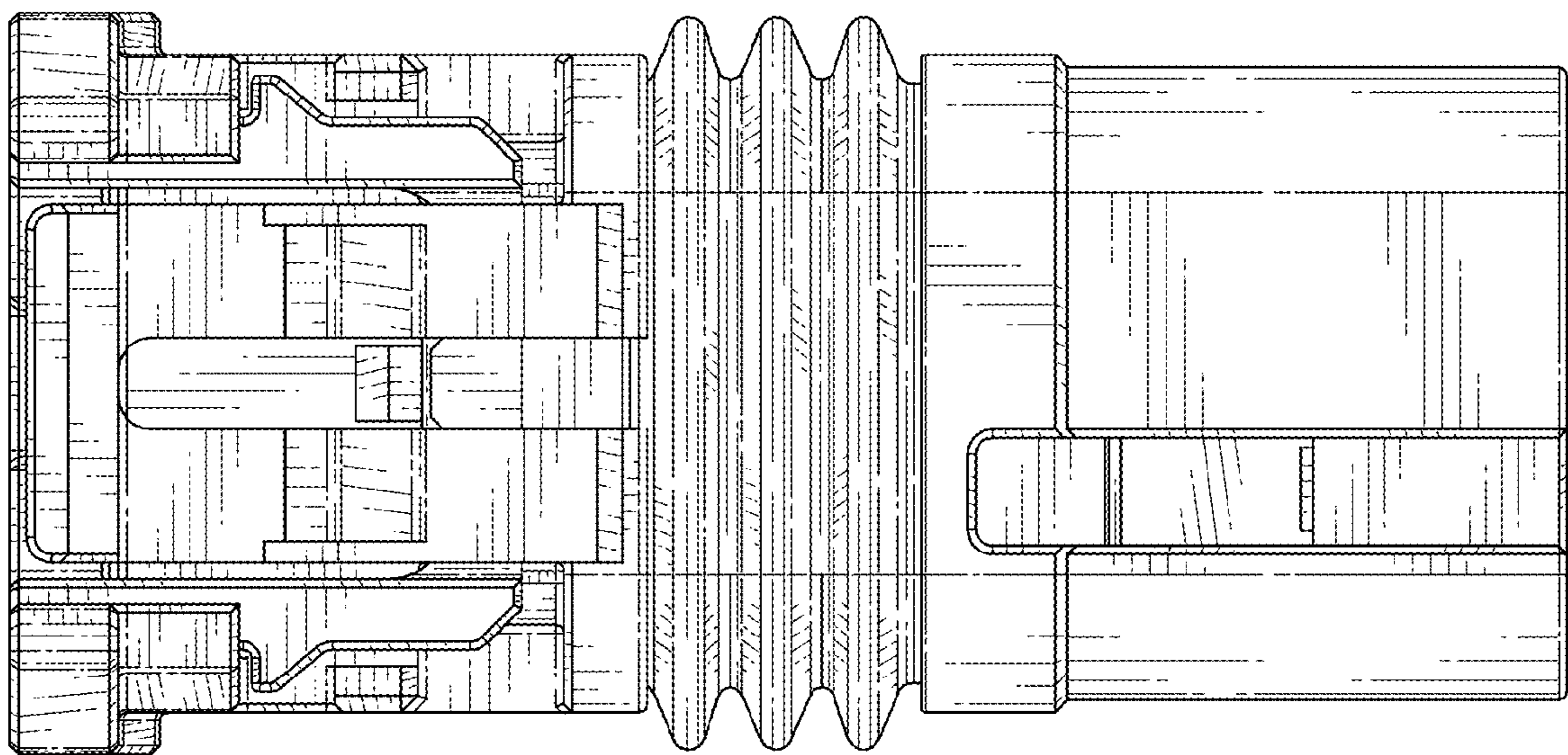


FIG. 5

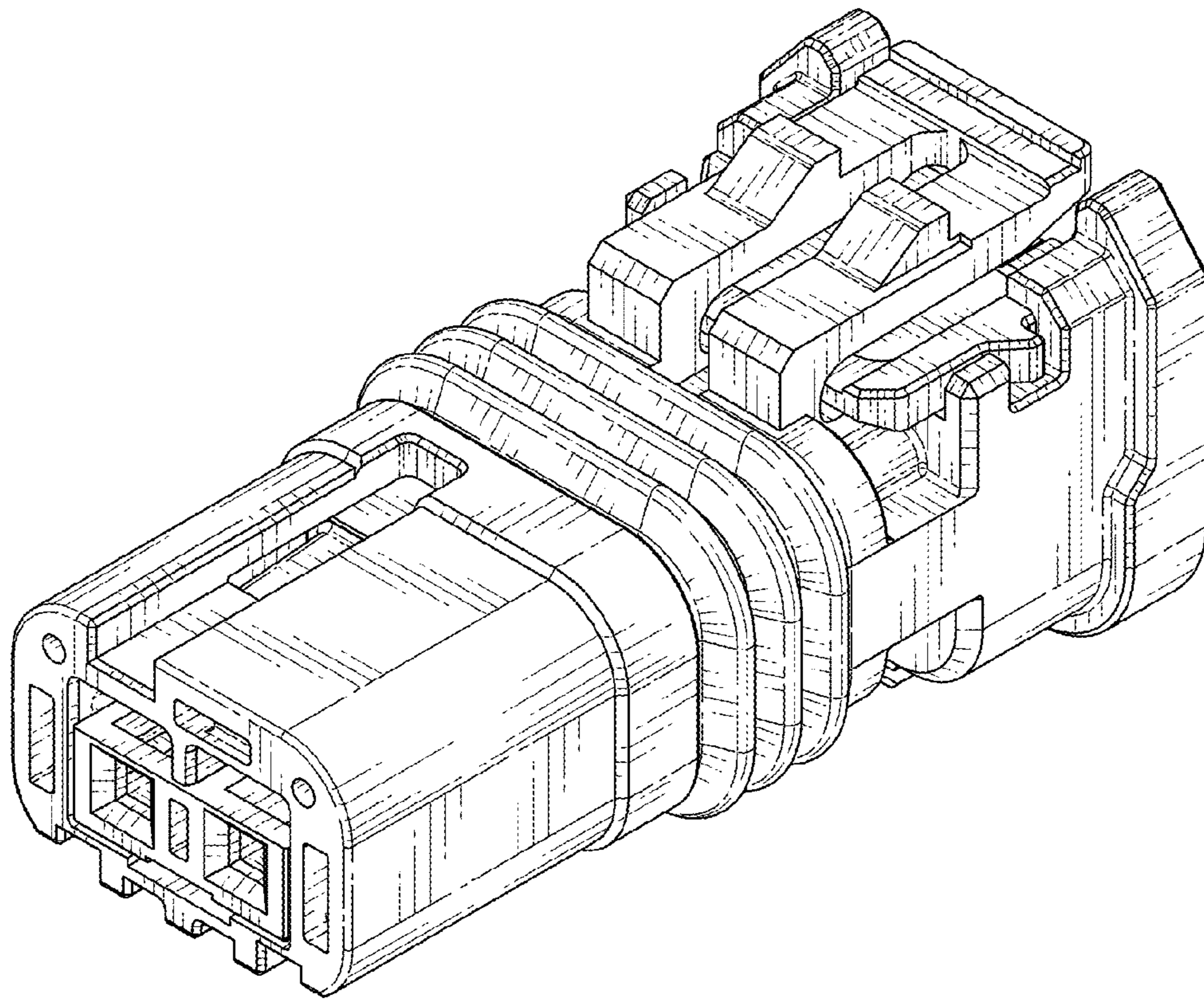


FIG. 7

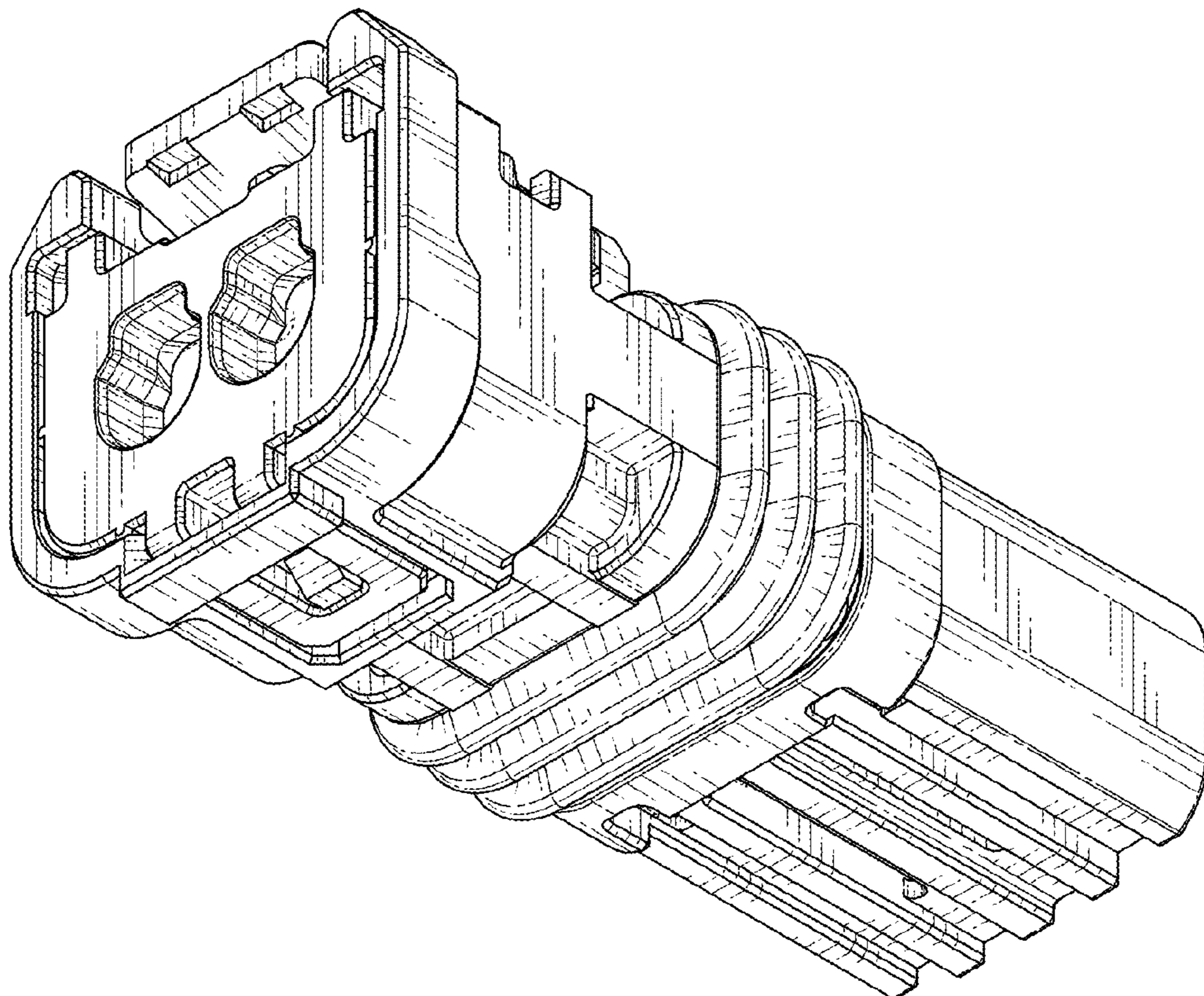


FIG. 8

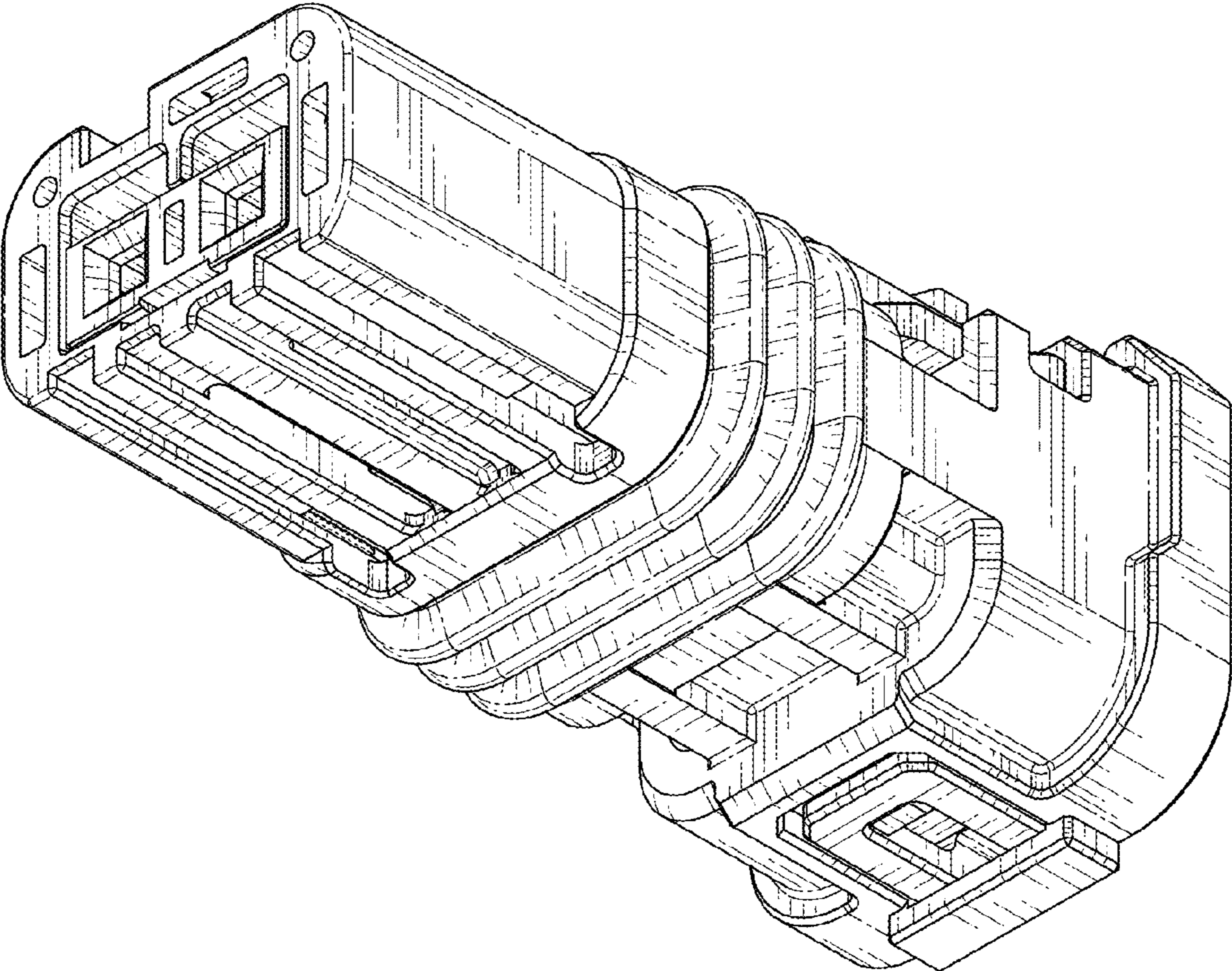


FIG. 9

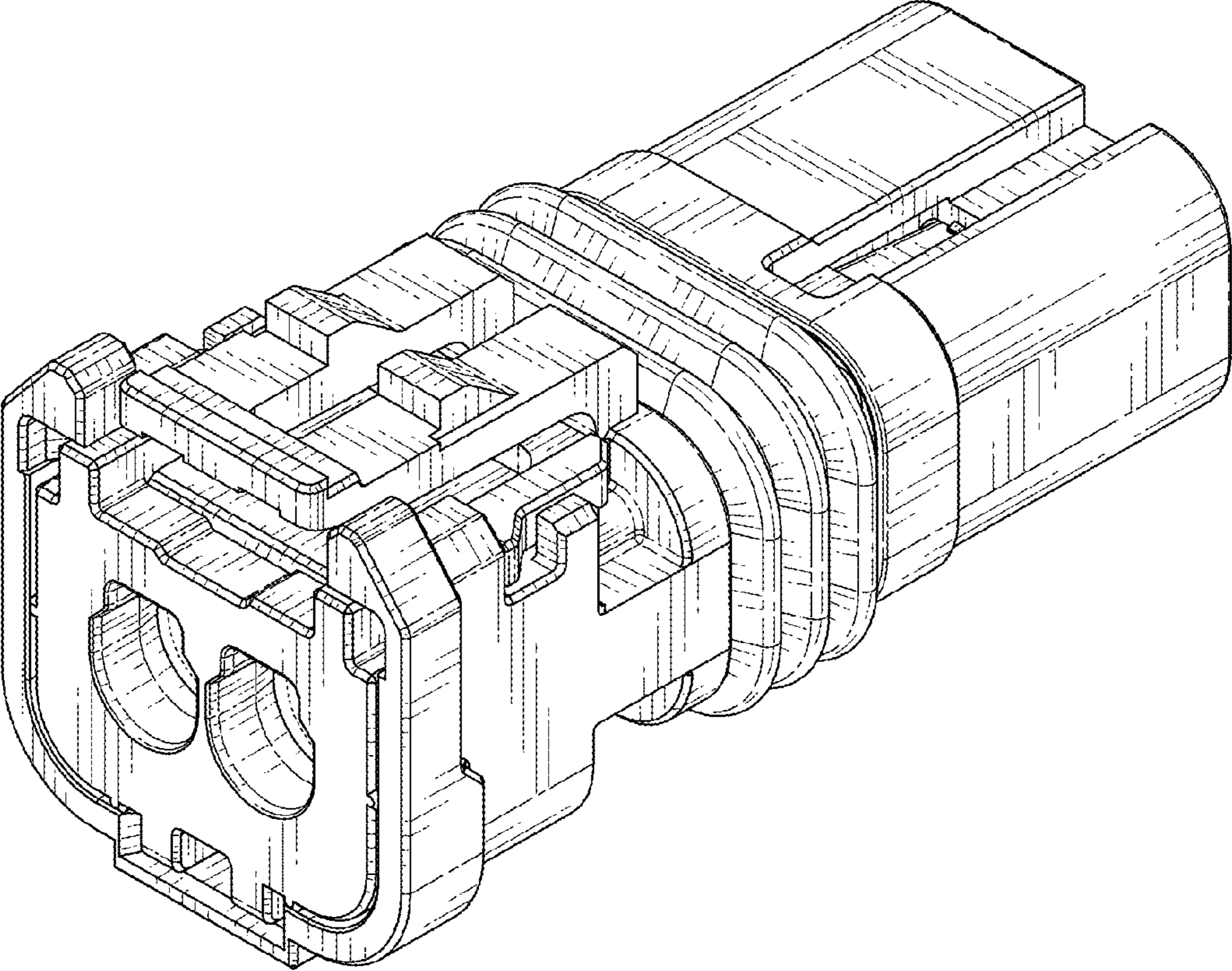


FIG. 10