



US00D894835S

(12) **United States Design Patent**
Luo et al.

(10) **Patent No.:** **US D894,835 S**

(45) **Date of Patent:** **** Sep. 1, 2020**

(54) **MOTOR**

D314,550 S * 2/1991 Sieber D13/112
D431,572 S * 10/2000 Antony D15/5
D527,739 S * 9/2006 De Luca D15/5

(Continued)

(71) Applicant: **Chongqing Zhenyoujin Technology Co., Ltd.**, Chongqing (CN)

(72) Inventors: **Kangbing Luo**, Chongqing (CN); **Jiankun Cui**, Chongqing (CN); **Yong Zeng**, Chongqing (CN); **Bo Peng**, Chongqing (CN)

(73) Assignee: **Chongqing Zhenyoujin Technology Co., Ltd.**, Chongqing (CN)

(**) Term: **15 Years**

(21) Appl. No.: **29/681,584**

(22) Filed: **Feb. 27, 2019**

(30) **Foreign Application Priority Data**

Aug. 27, 2018 (CN) 2018 3 0476344

(51) **LOC (12) Cl.** **13-02**

(52) **U.S. Cl.**
USPC **D13/122**; D13/118

(58) **Field of Classification Search**
USPC D15/1-5, 148; D13/112-114, 122, 184
CPC B60L 9/00; B60L 9/02; B60L 9/16; B60L 9/32; B60L 9/005; B60L 1/00; B60L 58/12; H02K 1/82; H02K 26/00; H02K 5/22; H02K 5/18; H02K 11/00; H02K 15/00; H02K 15/14; H02K 15/16; H02K 19/06; H02K 9/00; H02K 3/50; H02K 1/16; H02K 5/161

See application file for complete search history.

(56) **References Cited**

U.S. PATENT DOCUMENTS

D191,982 S * 12/1961 Eisenhart D13/114
D205,662 S * 9/1966 Bluemink D13/112
D217,674 S * 5/1970 Jaeschke D13/122
D245,499 S * 8/1977 Andreas D13/112
D281,239 S * 11/1985 Stevens D13/113

OTHER PUBLICATIONS

Chongqing Zhenyoujin Technologies, 2019 Hot sale toque sensor E.bike drive kit (site visited Jun. 2, 2020), Alibaba.com URL:<https://www.alibaba.com/product-detail/2019-Hot-sale-toque-sensor-E_62181552773.html?spm=a2700.details.deiletai6.2.74307da1IwJqxu> (Year: 2020).*

Primary Examiner — Sheryl Lane

Assistant Examiner — Mark T Philipps

(74) *Attorney, Agent, or Firm* — JCIP Global Inc.

(57) **CLAIM**

The ornamental design for a motor, as shown and described.

DESCRIPTION

FIG. 1 is a perspective view of a first embodiment of a motor showing our new design;

FIG. 2 is a front view of FIG. 1;

FIG. 3 is a rear view of FIG. 1;

FIG. 4 is a left side view of FIG. 1;

FIG. 5 is a right side view of FIG. 1;

FIG. 6 is a top view of FIG. 1;

FIG. 7 is a bottom view of FIG. 1;

FIG. 8 is a perspective view of a second embodiment of a motor showing our new design;

FIG. 9 is a front view of FIG. 8;

FIG. 10 is a rear view of FIG. 8;

FIG. 11 is a left side view of FIG. 8;

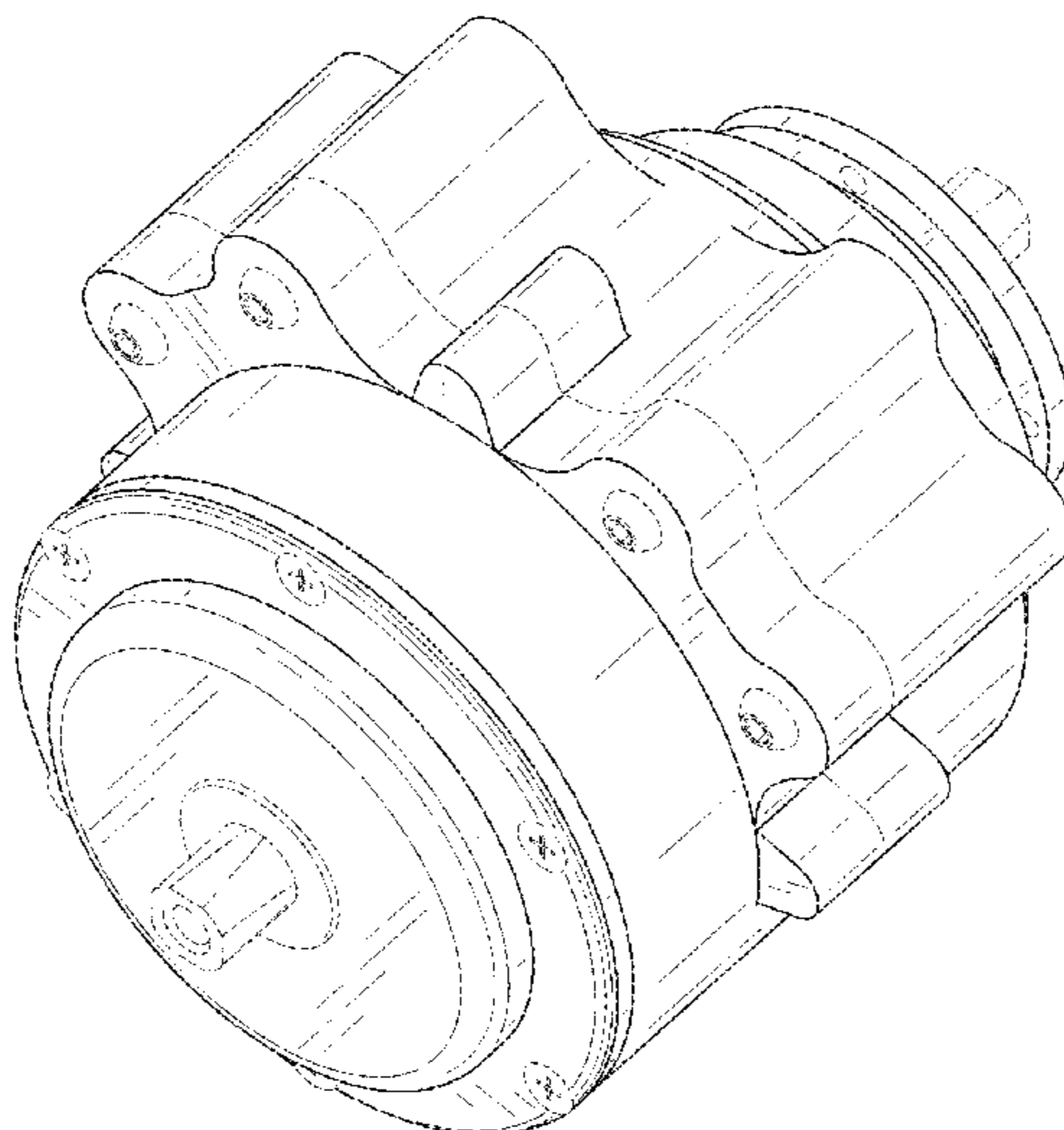
FIG. 12 is a right side view of FIG. 8;

FIG. 13 is a top view of FIG. 8; and,

FIG. 14 is a bottom view of FIG. 8.

The broken lines in the figure drawings of the claimed motor is included for the purpose of illustrating of the article and forms no part of the claimed design.

1 Claim, 10 Drawing Sheets



(56)

References Cited

U.S. PATENT DOCUMENTS

D574,325 S * 8/2008 Naghshineh D13/114
D577,670 S * 9/2008 Oohashi D13/113
7,812,500 B1 * 10/2010 Ham H02K 21/12
310/114
D650,332 S * 12/2011 Pourkermani D13/114
D664,565 S * 7/2012 Sonoda D15/5
D700,575 S * 3/2014 Andersson D13/114
D776,055 S * 1/2017 Wallace D13/122
D798,928 S * 10/2017 Ebner D15/148
D801,925 S * 11/2017 Andersson D13/112
D836,551 S * 12/2018 Kaneko D13/112
D877,200 S * 3/2020 Melde D15/5
D883,928 S * 5/2020 Lust D13/112
2019/0089233 A1 * 3/2019 Nagy H02K 5/20
2019/0273414 A1 * 9/2019 Cheung H02K 5/15

* cited by examiner

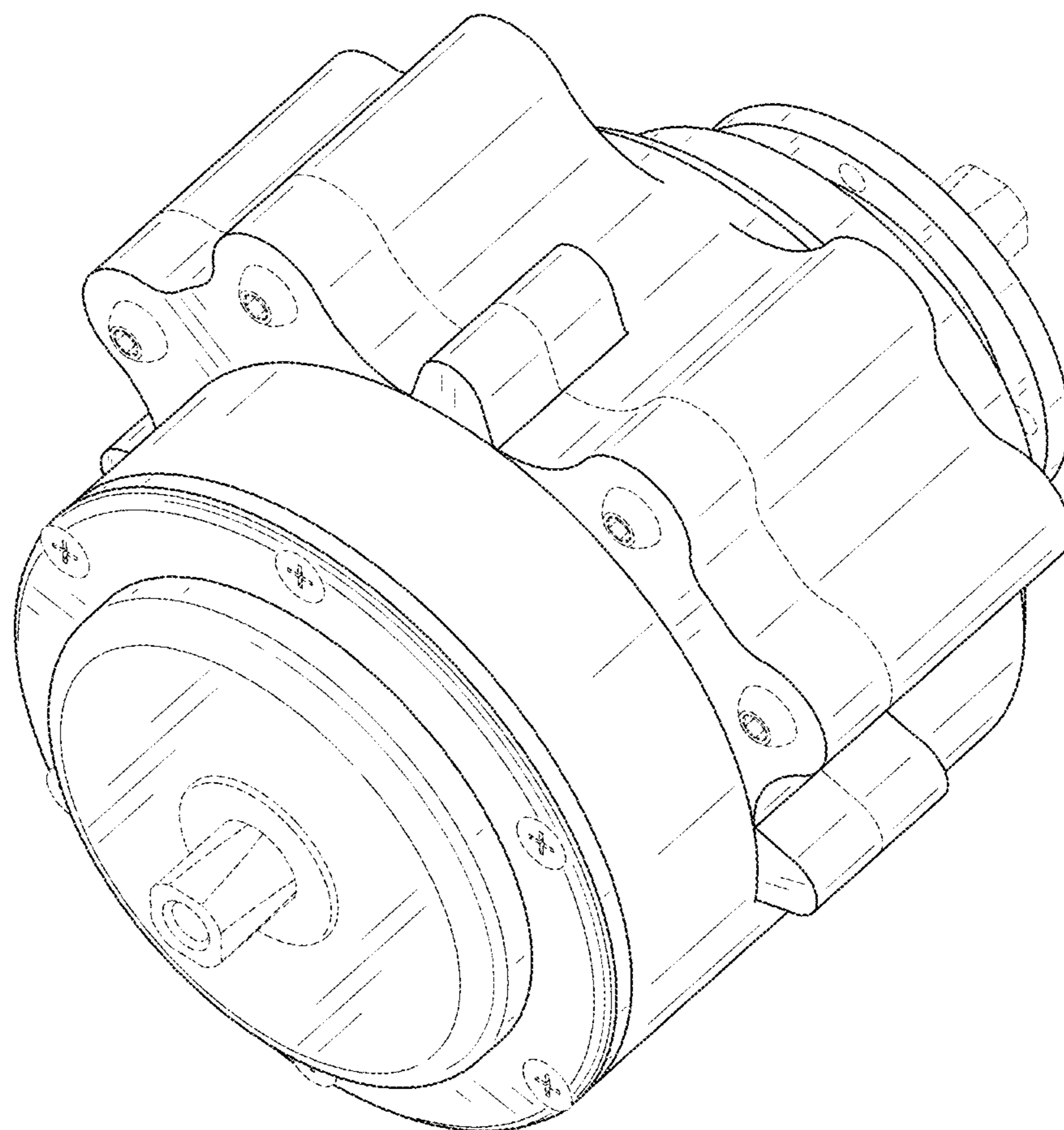


FIG. 1

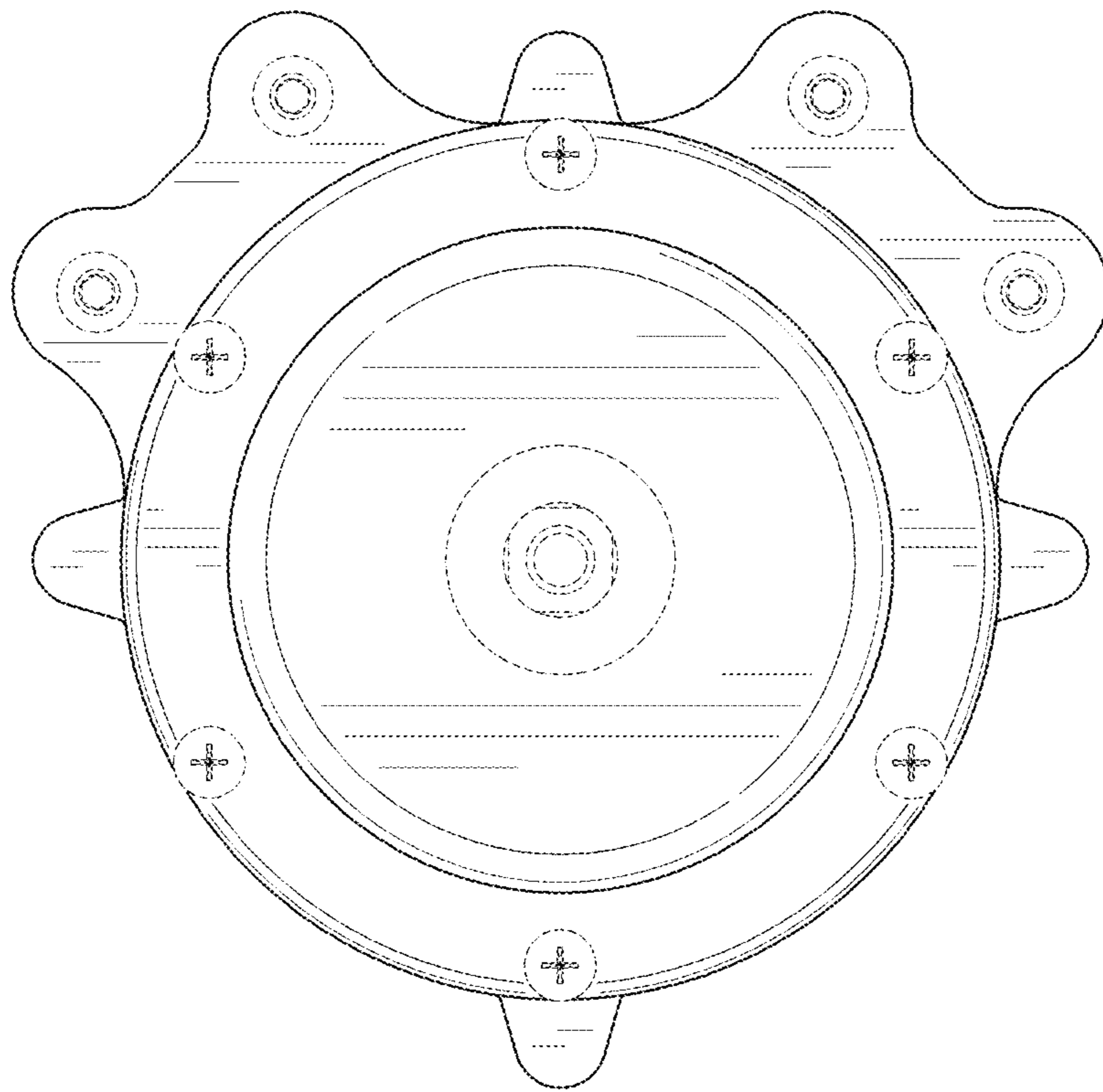


FIG. 2

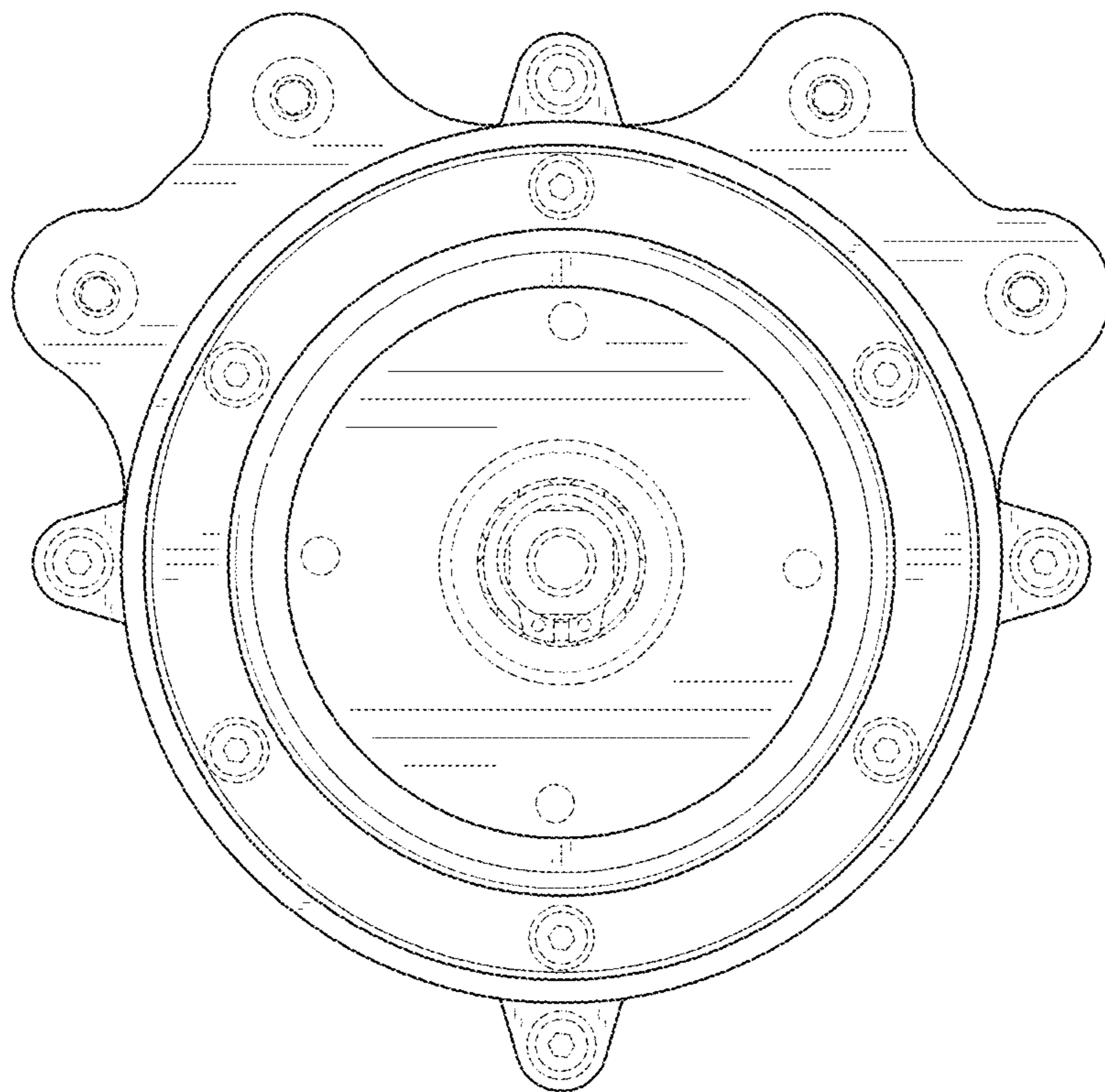


FIG. 3

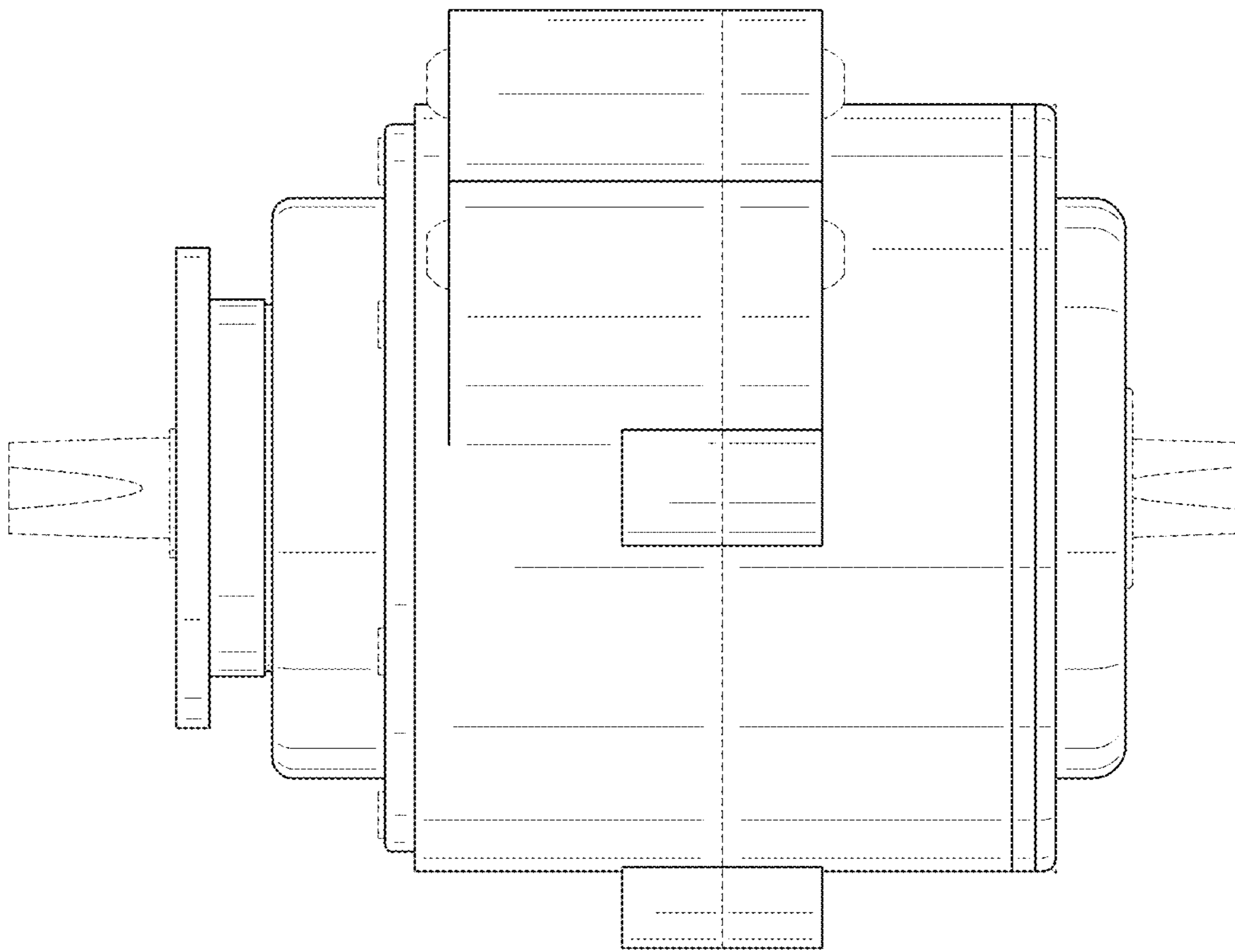


FIG. 4

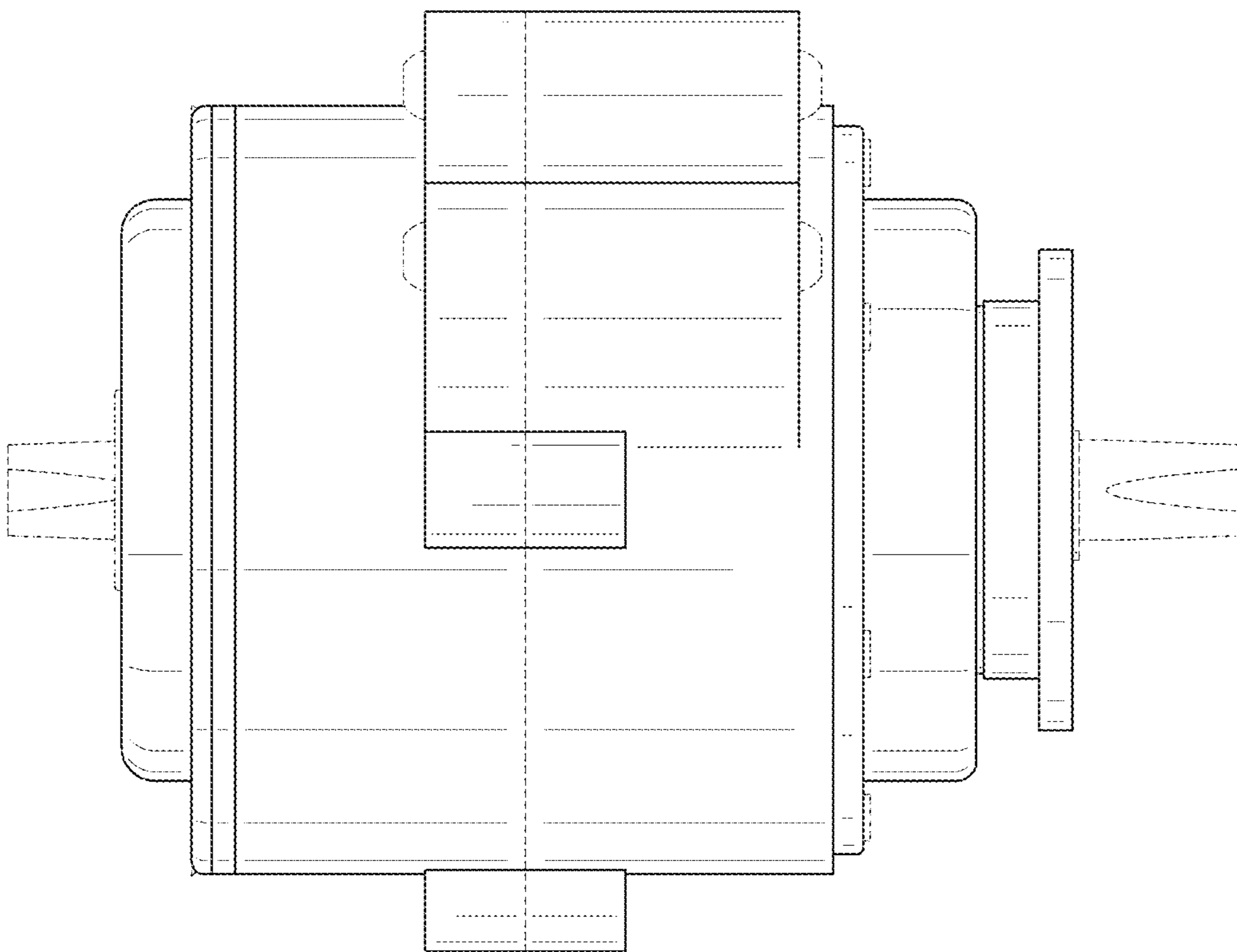


FIG. 5

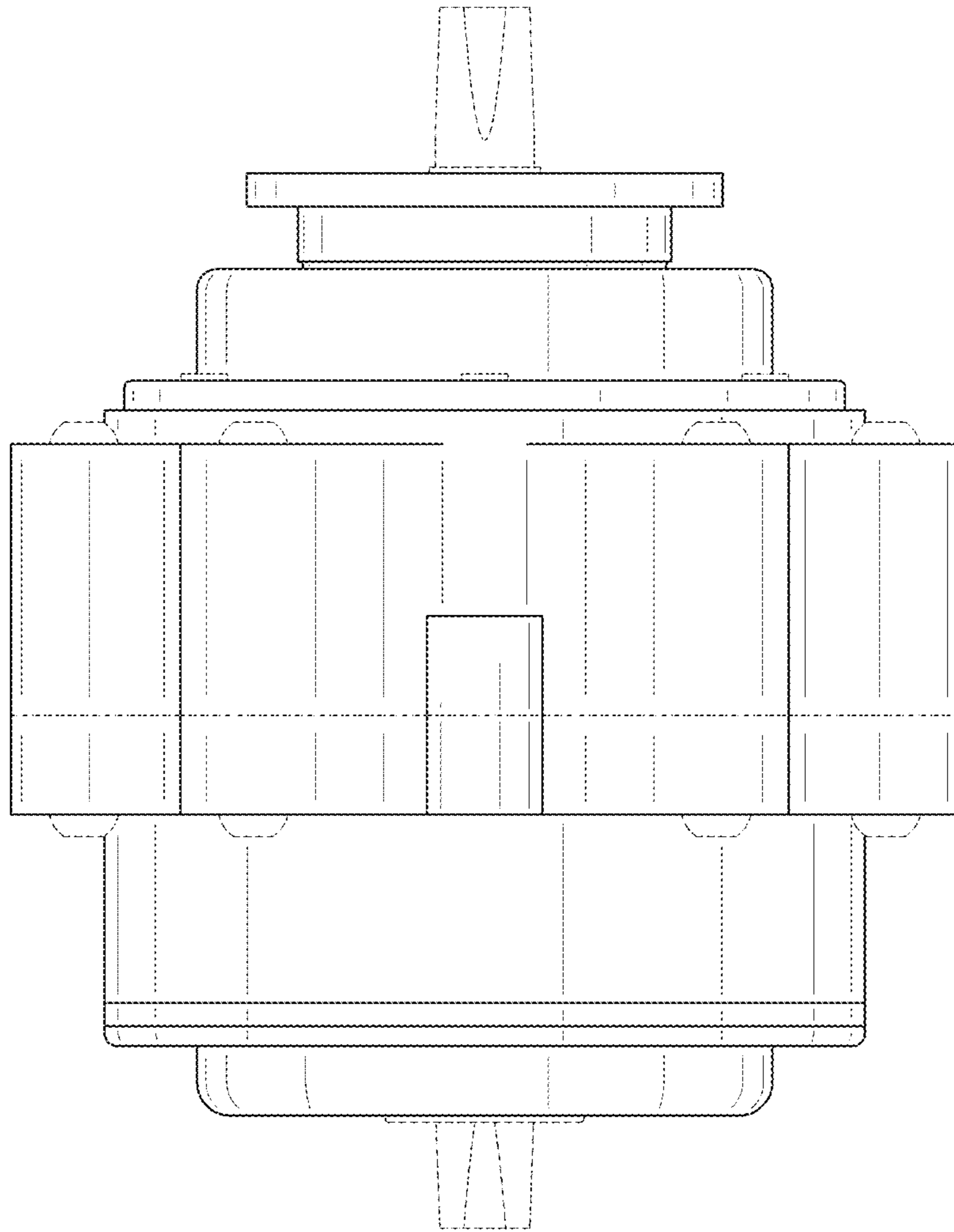


FIG. 6

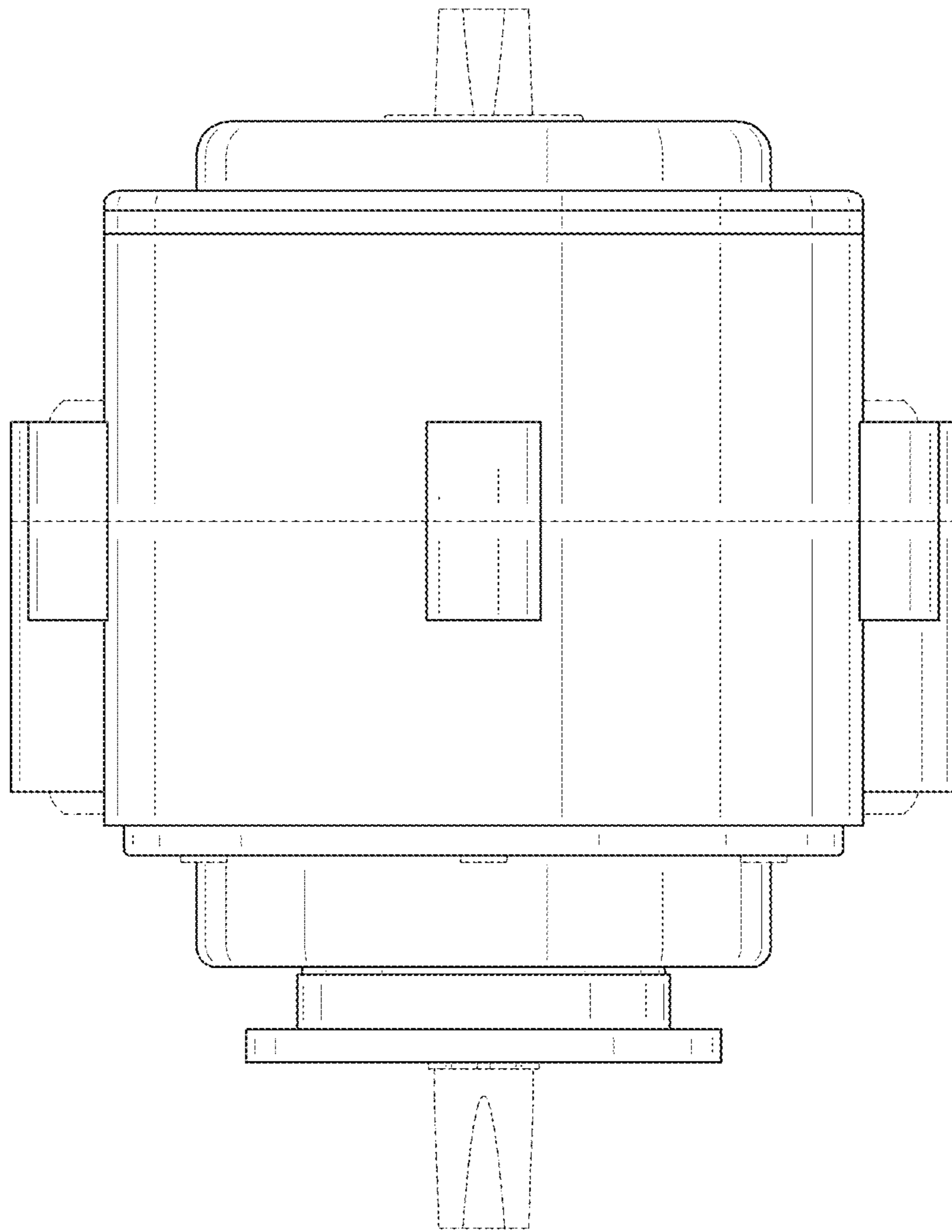


FIG. 7

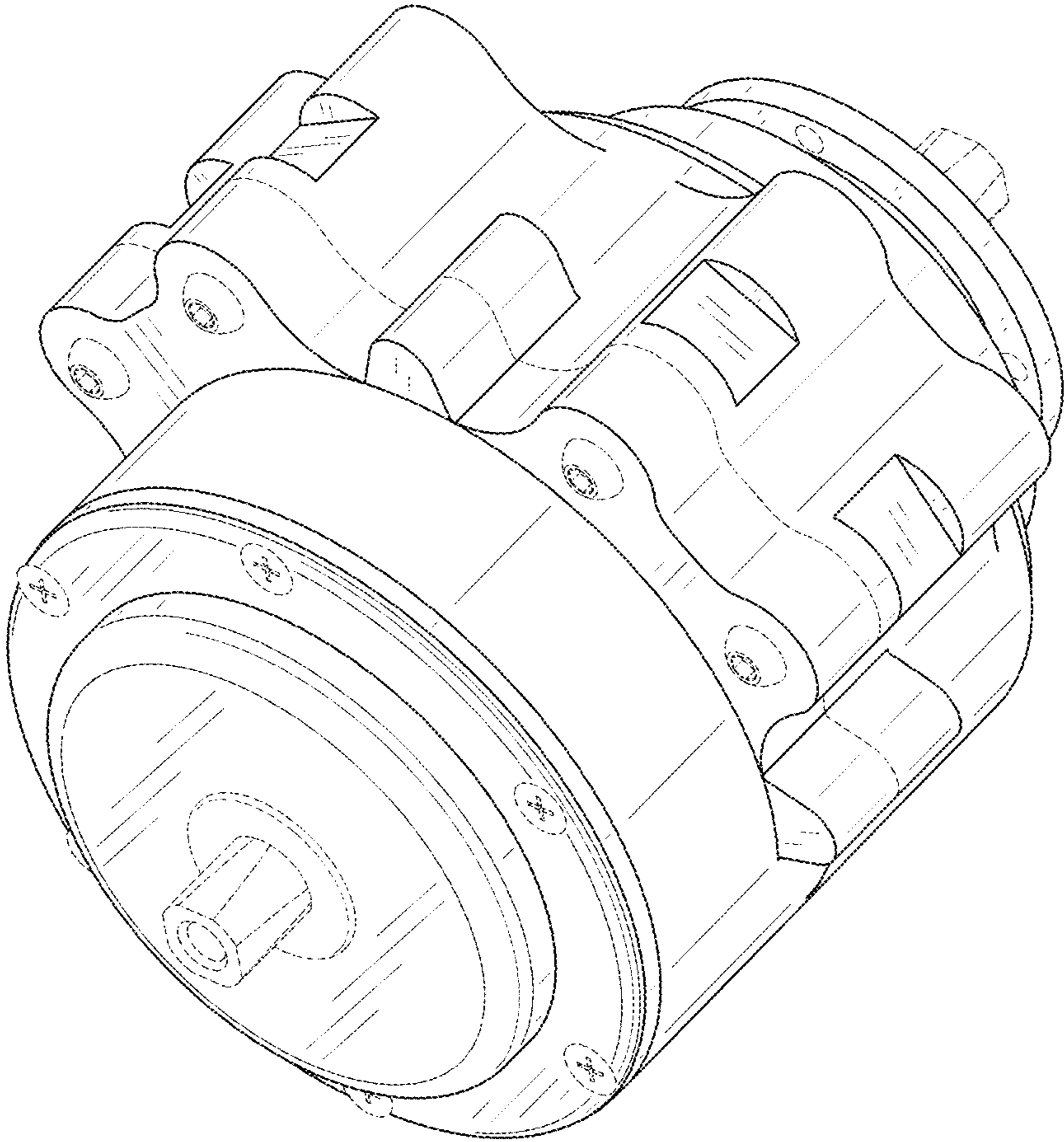


FIG. 8

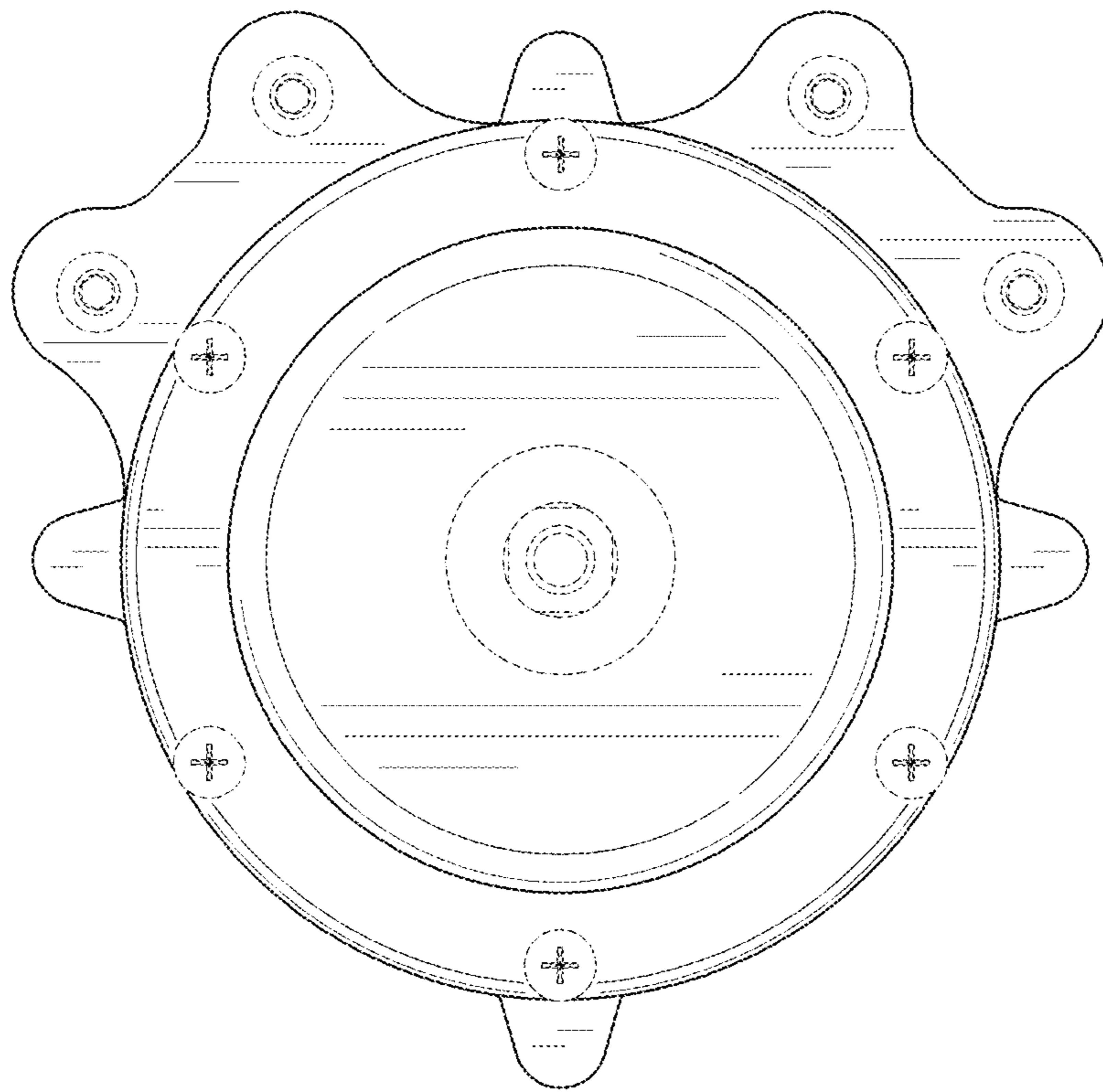


FIG. 9

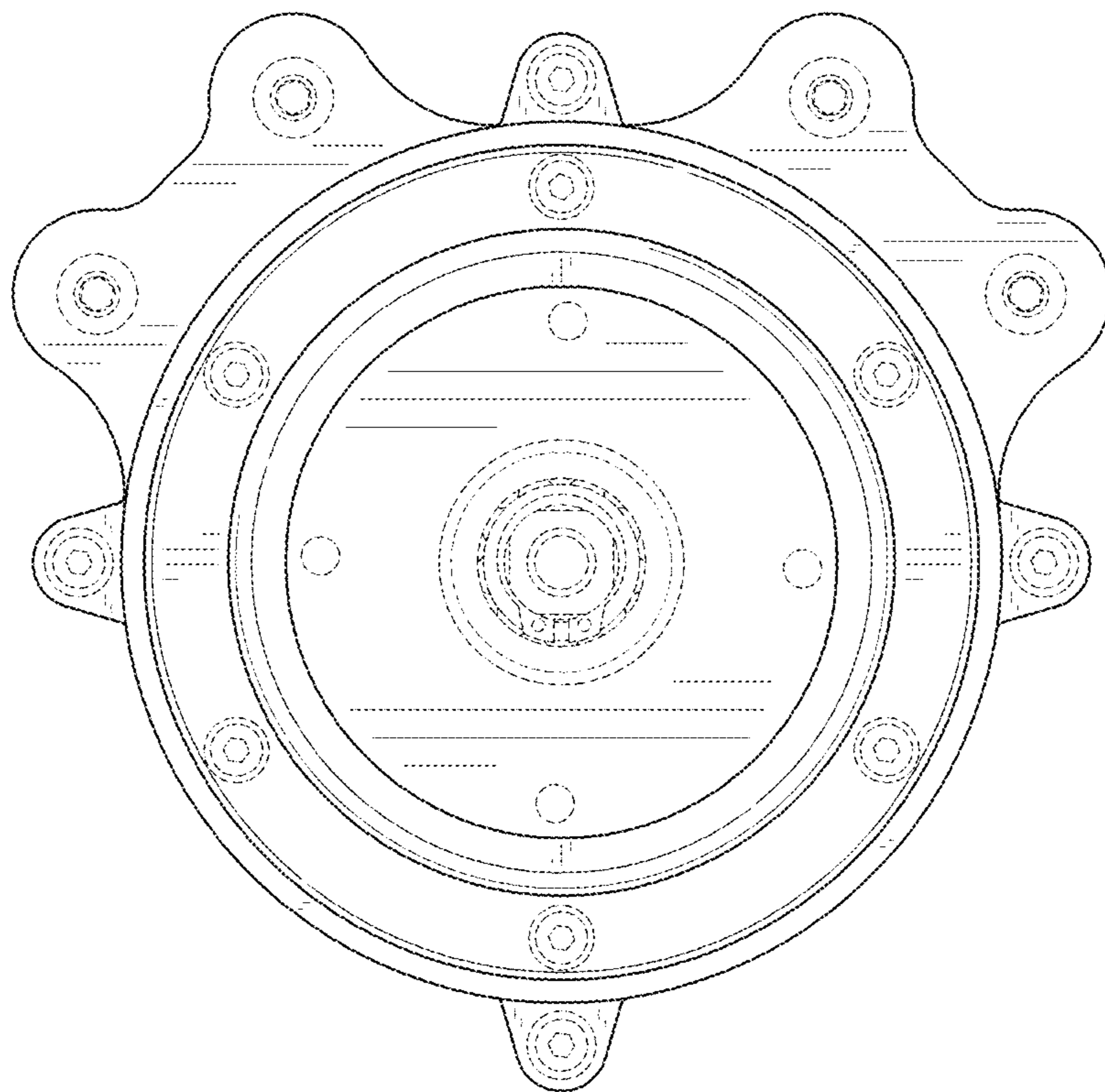


FIG. 10

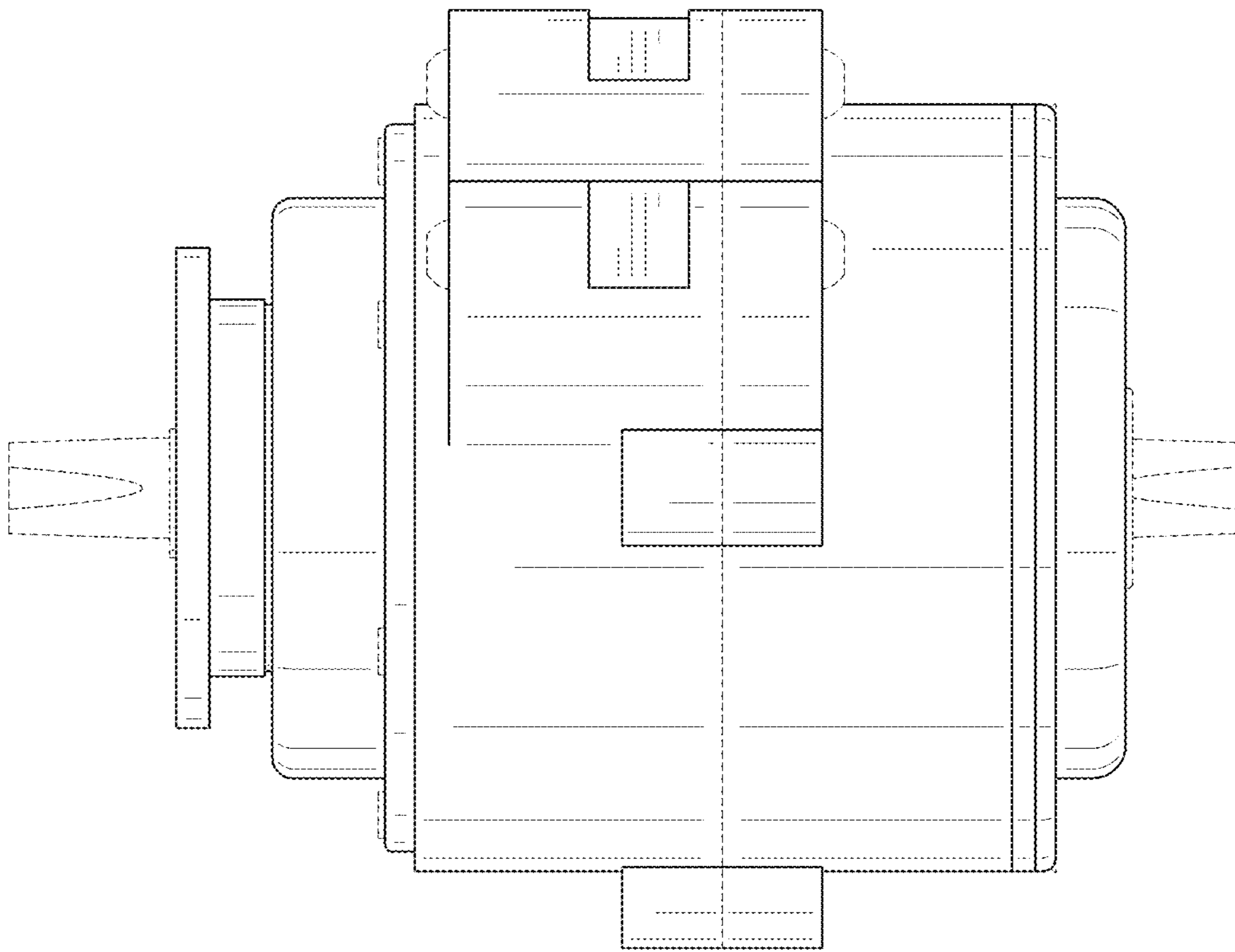


FIG. 11

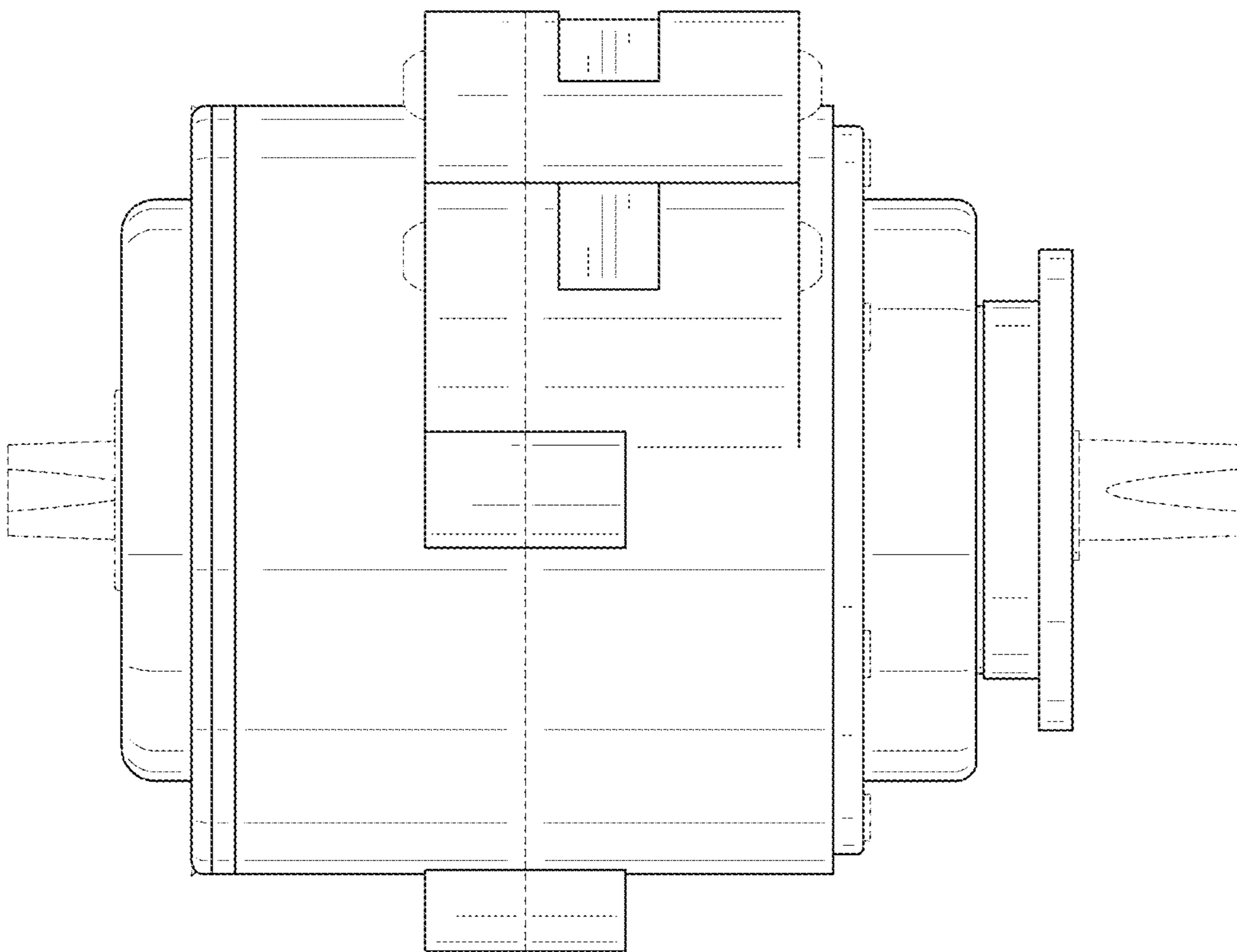


FIG. 12

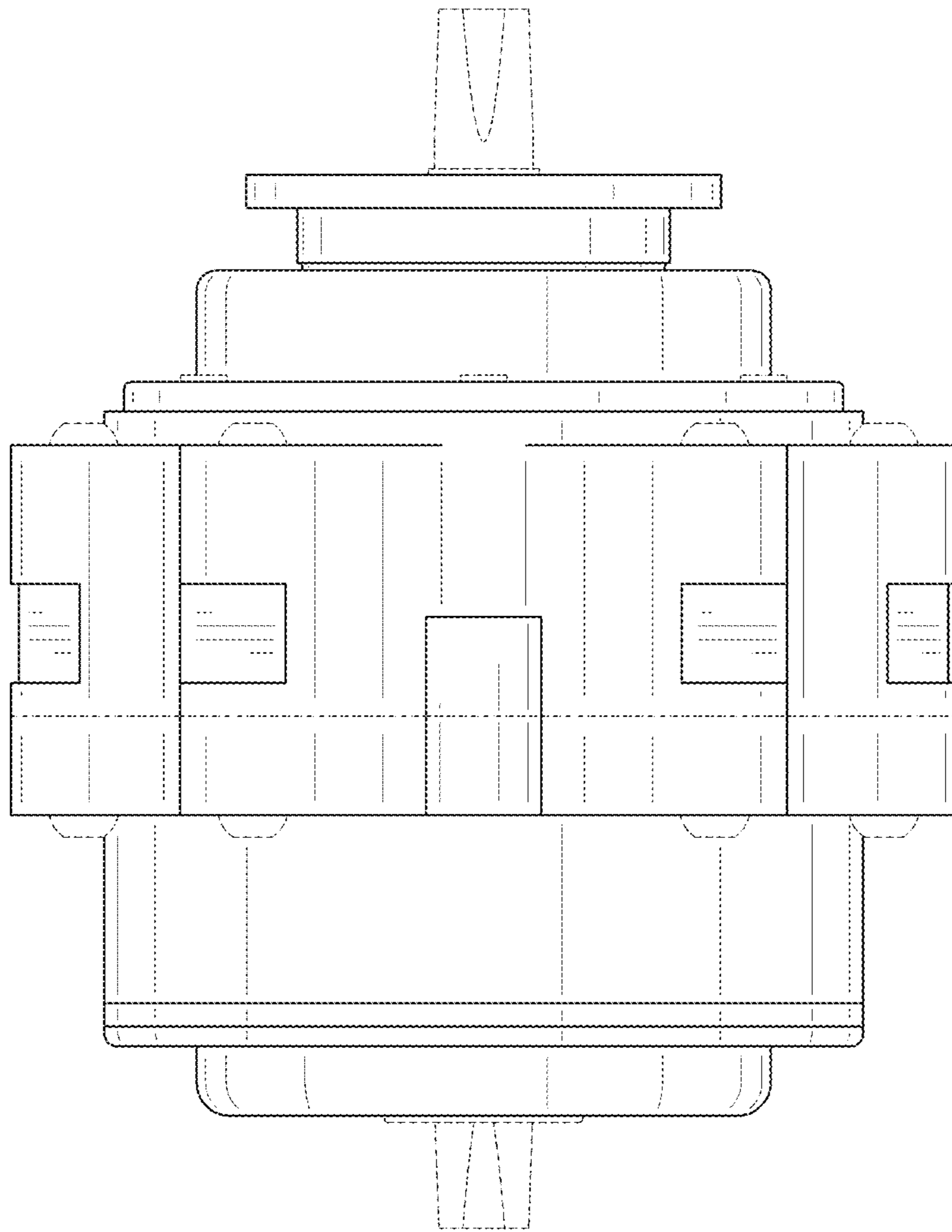


FIG. 13

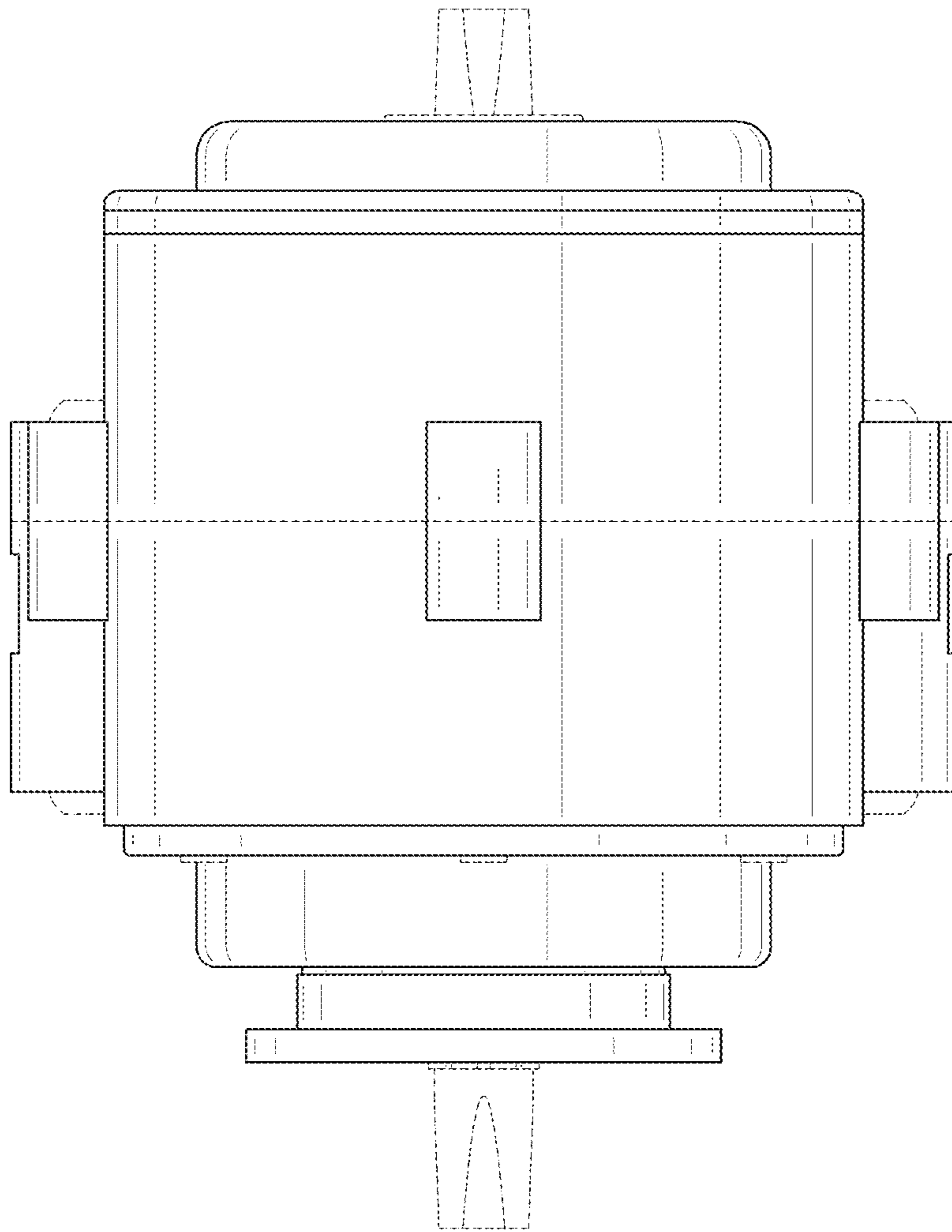


FIG. 14