



US00D894834S

(12) **United States Design Patent** (10) **Patent No.:** **US D894,834 S**
Ritchie et al. (45) **Date of Patent:** **** Sep. 1, 2020**

(54) **GENERATOR**

(71) Applicant: **Caterpillar Inc.**, Deerfield, IL (US)
(72) Inventors: **Christian David Ritchie**, Morton, IL (US); **Terril Johnson**, Washington, IL (US); **Gary S. Kelly**, Belfast (GB); **Michael John Rhett Wilson**, Craigavon (GB)

(73) Assignee: **Caterpillar Inc.**, Peoria, IL (US)

(**) Term: **15 Years**

(21) Appl. No.: **29/663,147**

(22) Filed: **Sep. 12, 2018**

(51) **LOC (12) Cl.** **13-01**

(52) **U.S. Cl.**
USPC **D13/116**

(58) **Field of Classification Search**
USPC D13/101, 102, 103, 107, 108, 109, 110, D13/112, 113, 114, 116, 119, 122, 184, D13/199
CPC H01M 10/44; H01M 10/46; H01M 10/425; Y02B 10/12; Y02B 10/20; Y02B 10/24; H02J 7/34; H02J 7/35; H02J 7/42; H02J 7/44; H02J 7/54; H02J 7/0003; Y02T 90/122; Y02T 90/128; Y02T 90/163; F02B 63/04; F02B 63/048; F02B 75/16; F02B 2063/046

See application file for complete search history.

(56) **References Cited**

U.S. PATENT DOCUMENTS

6,091,160 A * 7/2000 Kouchi F02B 63/04 290/1 A
D477,569 S * 7/2003 Iwatate D13/116
D600,205 S * 9/2009 Imai D13/116
D727,847 S * 4/2015 Jaskowiak D13/116
D834,517 S * 11/2018 Fritz D13/116

* cited by examiner

Primary Examiner — Derrick E Holland

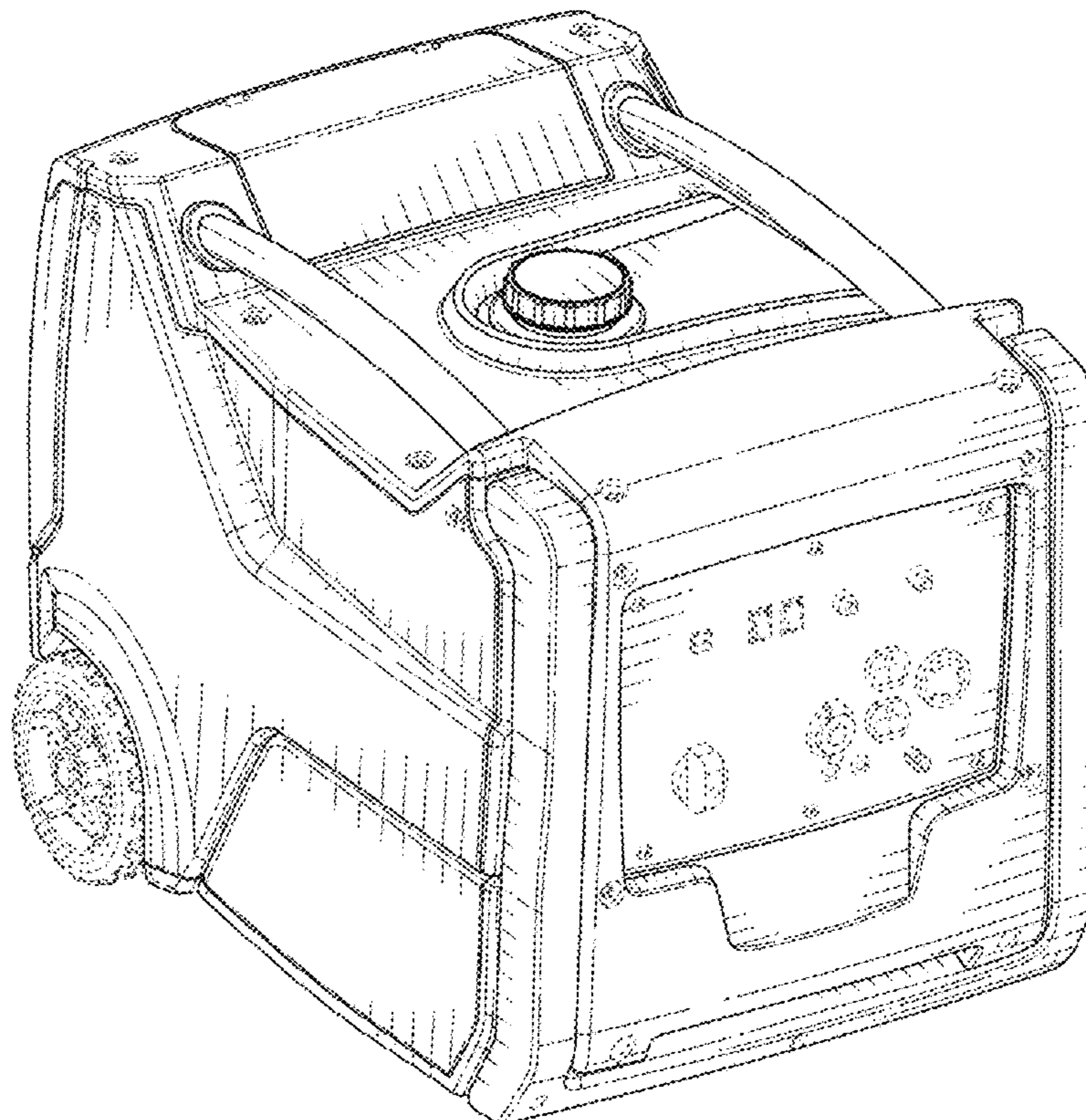
(57) **CLAIM**

The ornamental design for a generator, as shown and described.

DESCRIPTION

FIG. 1 is a perspective view of a generator showing our new design;
FIG. 2 is a front view thereof;
FIG. 3 is a rear view thereof;
FIG. 4 is a left side view thereof;
FIG. 5 is a right side view thereof;
FIG. 6 is a top view thereof; and,
FIG. 7 is a bottom view thereof.
The dashed broken lines illustrate structure or features which form no part of the claimed design.
The dot-dash broken lines illustrate boundaries which form no part of the claimed design.

1 Claim, 7 Drawing Sheets



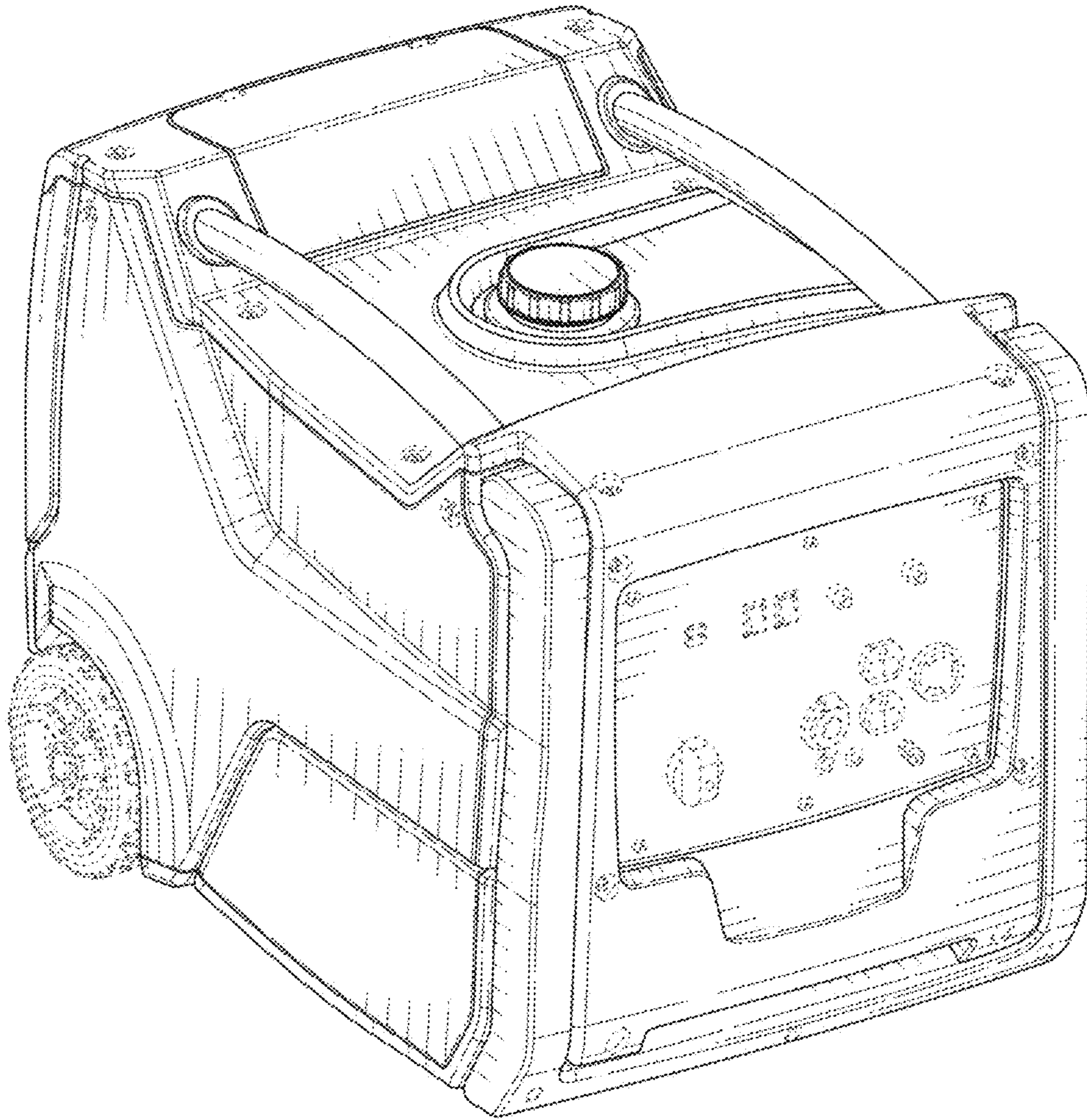


FIG. 1

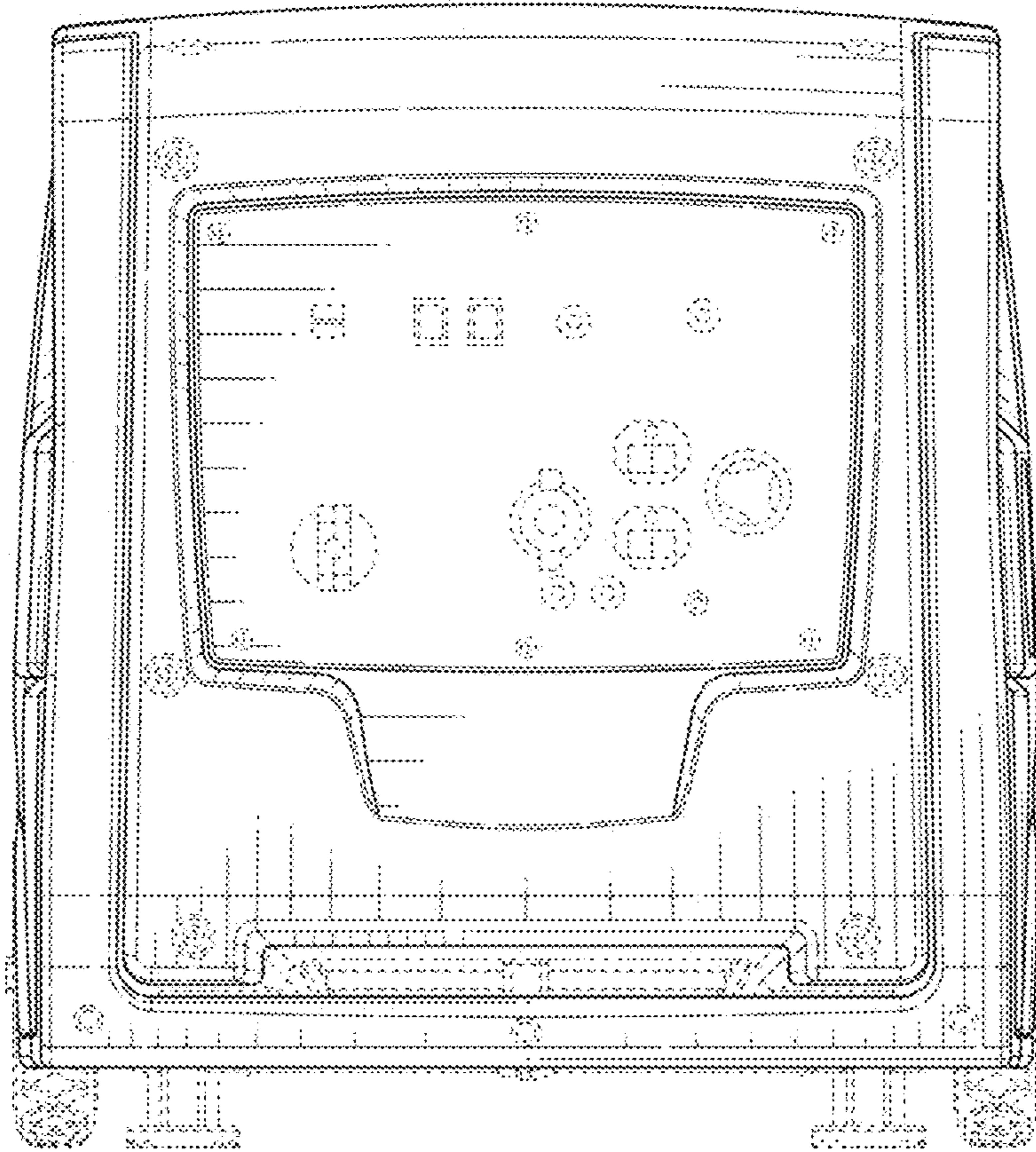


FIG. 2

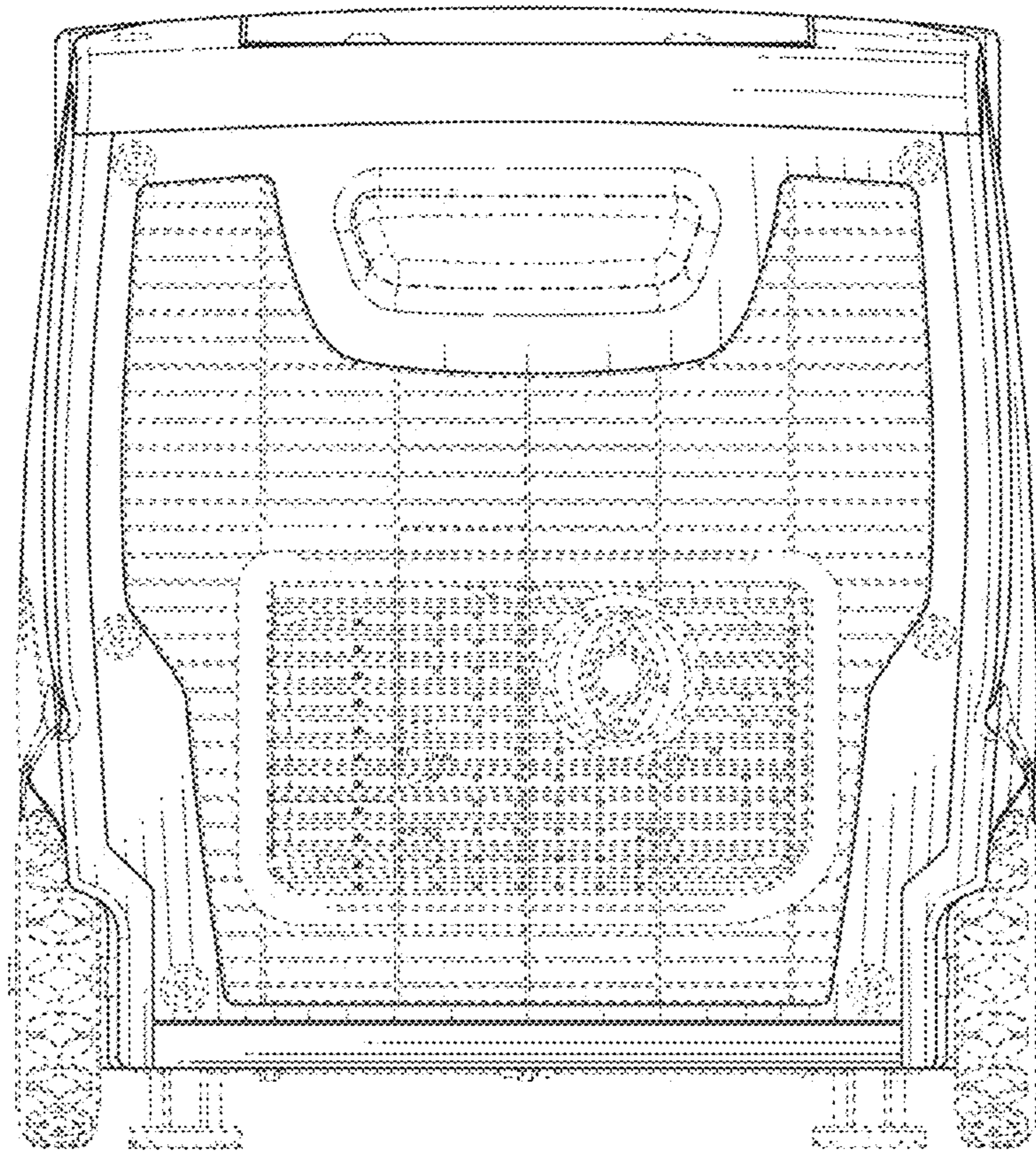


FIG. 3

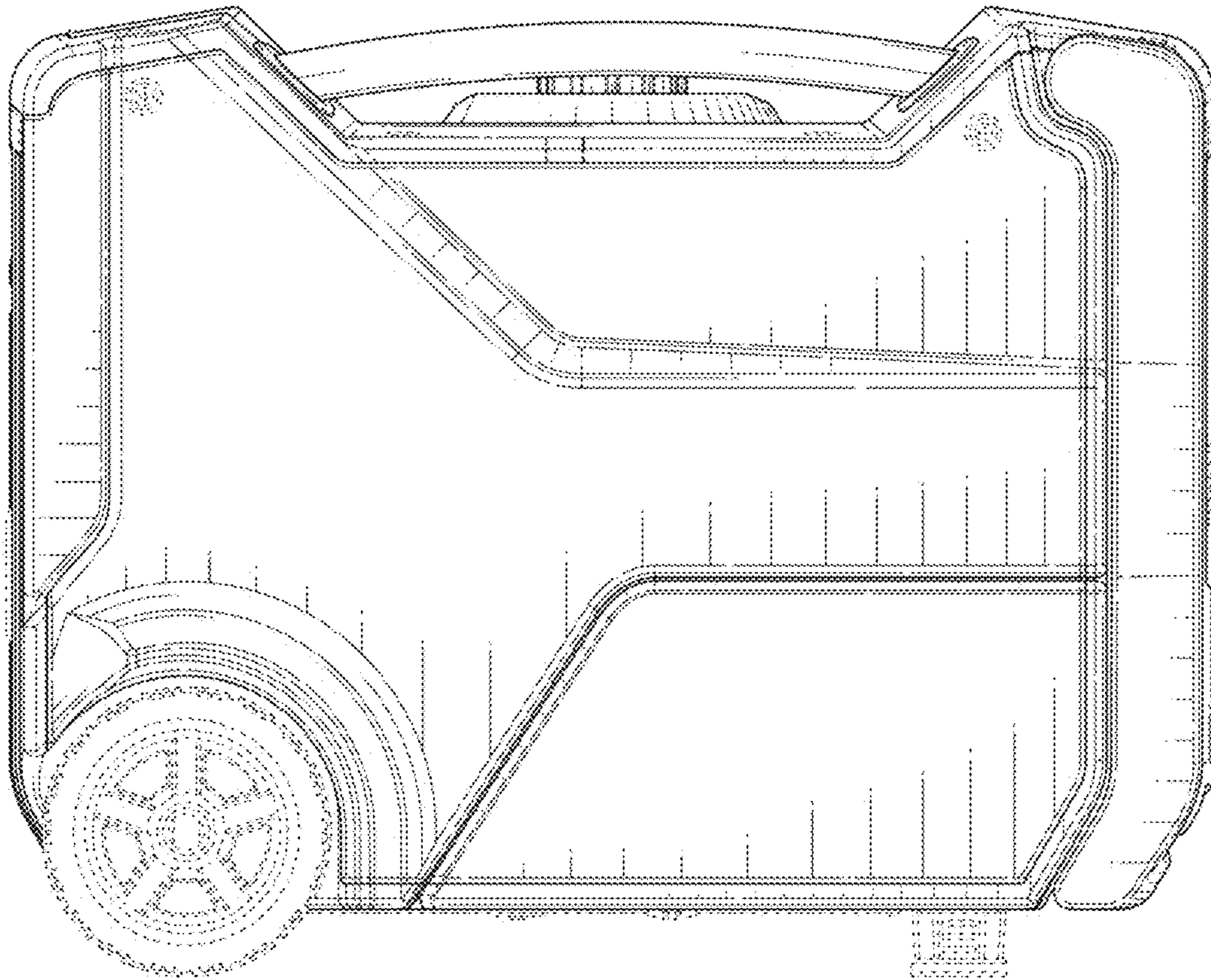


FIG. 4

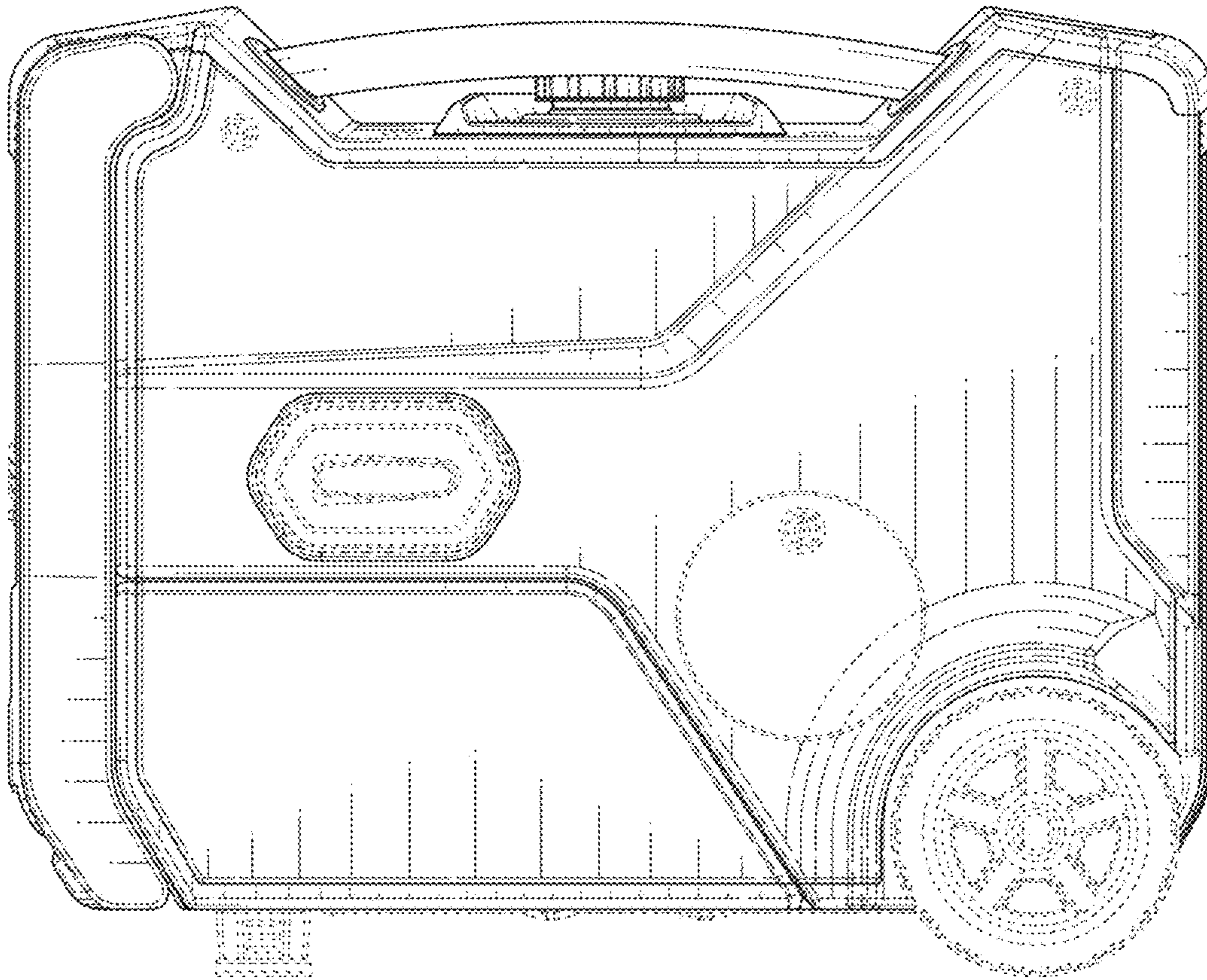


FIG. 5

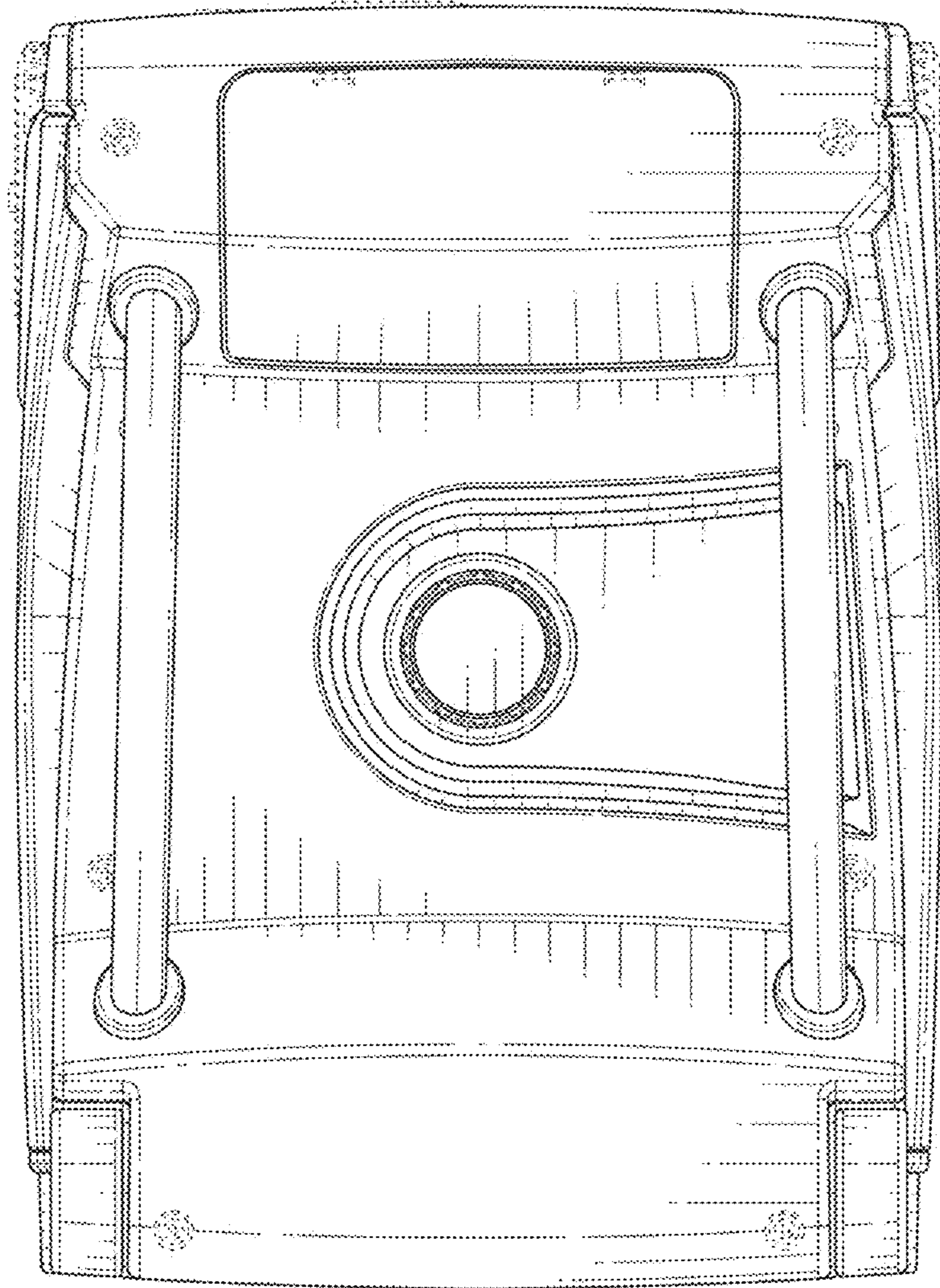


FIG. 6

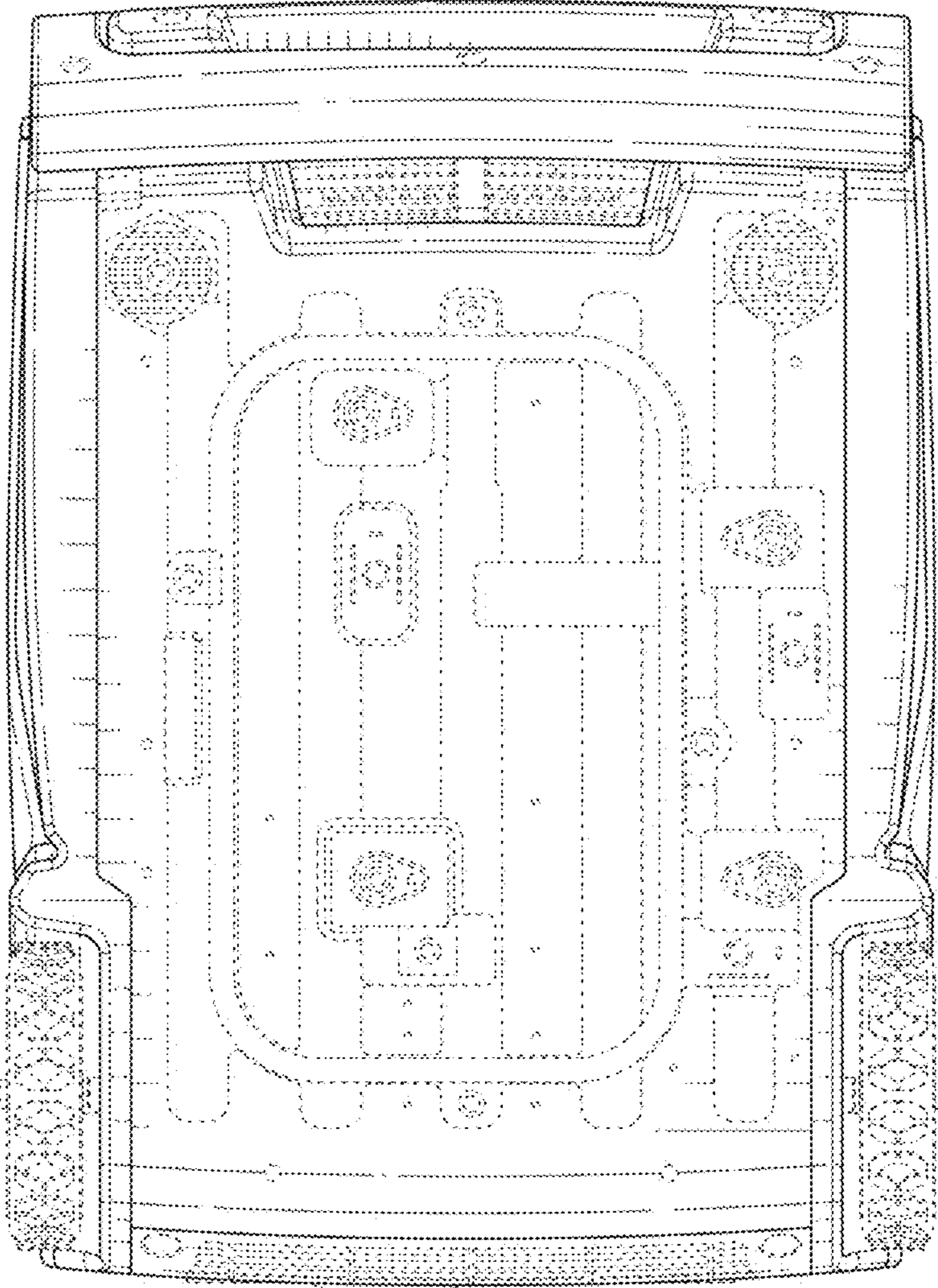


FIG. 7