



US00D894833S

(12) **United States Design Patent**
Yamazawa

(10) **Patent No.:** **US D894,833 S**

(45) **Date of Patent:** **** Sep. 1, 2020**

- (54) **INVERTER**
- (71) Applicant: **FUJI ELECTRIC CO., LTD.**,
Kawasaki-shi, Kanagawa (JP)
- (72) Inventor: **Kotaro Yamazawa**, Suzuka (JP)
- (73) Assignee: **FUJI ELECTRIC CO., LTD.**,
Kawasaki-shi, Kanagawa (JP)
- (**) Term: **15 Years**
- (21) Appl. No.: **29/669,033**
- (22) Filed: **Nov. 5, 2018**
- (51) **LOC (12) Cl.** **13-10**
- (52) **U.S. Cl.**
USPC **D13/110**
- (58) **Field of Classification Search**
USPC D13/110, 108, 118, 123, 162, 168, 169,
D13/174, 177, 184, 199; D14/257, 432,
D14/438
CPC B60L 15/00; B60L 15/007; B60L 50/51;
B60K 17/04; H02K 5/06; H05K 5/00;
H05K 5/02; H05K 5/0247; H05K 7/00;
H05K 7/20; H05K 7/20136; H05K
7/20154; H05K 7/209; H02M 7/00;
H02M 7/003
See application file for complete search history.

(56) **References Cited**

U.S. PATENT DOCUMENTS

D667,784 S *	9/2012	Choi	D13/102
D673,114 S *	12/2012	Schnakenberg, III	D13/110
D684,533 S *	6/2013	Nakahira	D13/110
D698,725 S *	2/2014	Shin	D13/110
D703,136 S *	4/2014	Choi	D13/110
D705,728 S *	5/2014	Choi	D13/110
D706,215 S *	6/2014	Nakahira	D13/110
D707,176 S *	6/2014	Choi	D13/110
D709,449 S *	7/2014	Oba	D13/110

8,848,370 B2 *	9/2014	Shin	H02M 7/003 165/104.33
8,854,816 B2 *	10/2014	Shintani	H05K 7/20909 361/678
D716,728 S *	11/2014	Oyadomari	D13/110
8,882,479 B2 *	11/2014	Asai	F04B 35/04 417/423.14
D728,474 S *	5/2015	Orlando	D13/110
D739,352 S *	9/2015	Benn	D13/123
D745,847 S *	12/2015	Ho	D13/110
9,203,217 B2 *	12/2015	Takano	H05K 7/1432
9,241,428 B1 *	1/2016	Doo	H05K 7/20927
9,318,935 B2 *	4/2016	Nakagami	H02K 11/044
D756,921 S *	5/2016	Benn	D13/110
D773,393 S *	12/2016	Simoni	D13/110
9,599,109 B2 *	3/2017	Yakushiji	F04B 39/06
D789,887 S *	6/2017	Zeng	D13/110
D798,809 S *	10/2017	Benn	D13/110
D798,810 S *	10/2017	Benn	D13/110
9,795,066 B2 *	10/2017	Dong	H02M 7/003
D803,780 S *	11/2017	Gudgel	D13/110

(Continued)

Primary Examiner — Susan Bennett Hattan
Assistant Examiner — Suzanne E Tisdell
(74) *Attorney, Agent, or Firm* — Manabu Kanesaka

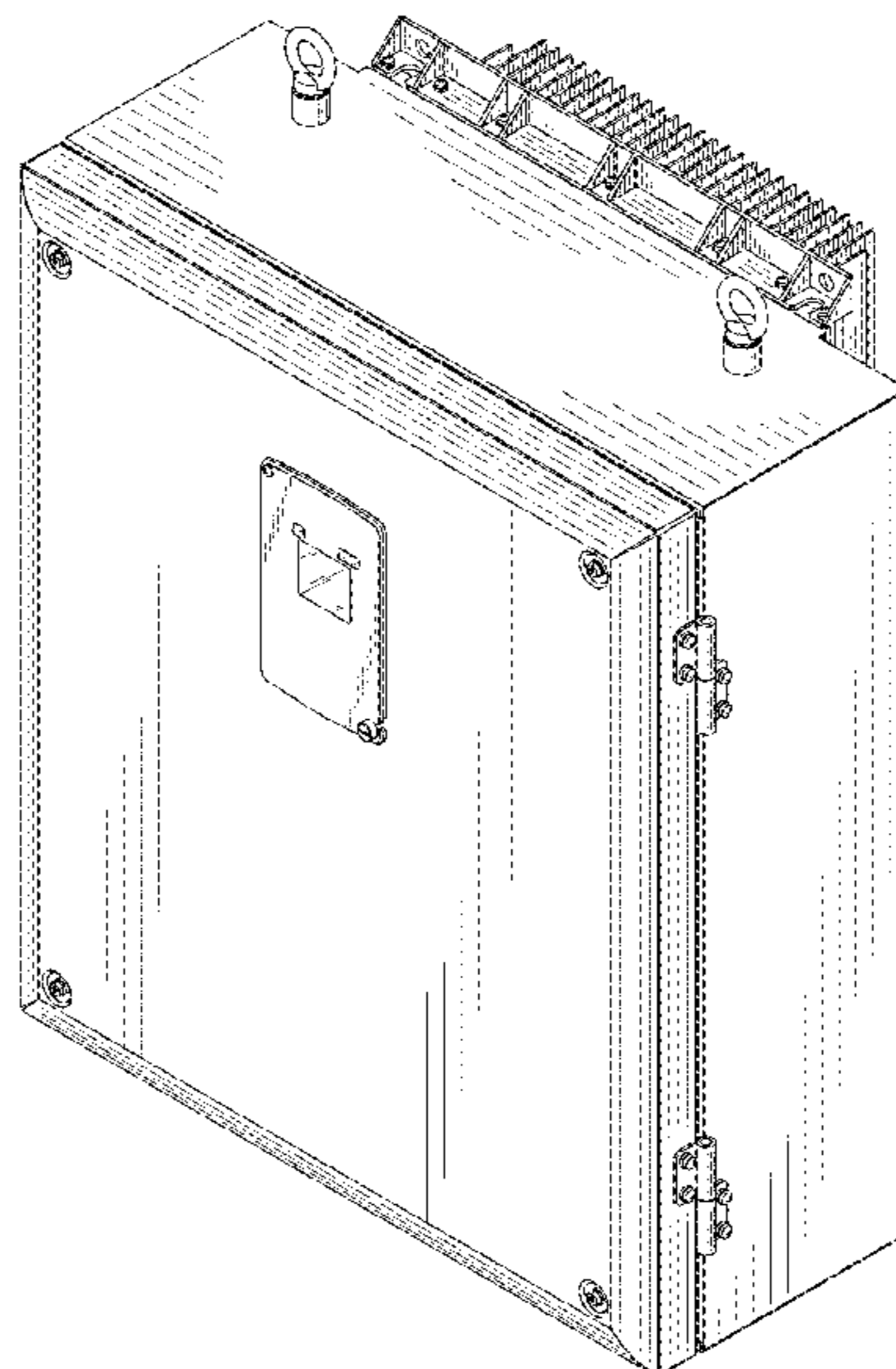
(57) **CLAIM**

The ornamental design for an inverter, as shown and described.

DESCRIPTION

FIG. 1 is a perspective view of an inverter showing my new design;
FIG. 2 is a front view thereof,
FIG. 3 is a rear view thereof;
FIG. 4 is a right side view thereof;
FIG. 5 is a left side view thereof;
FIG. 6 is a top plan view thereof;
FIG. 7 is a bottom plan view thereof; and,
FIG. 8 is a reference front view showing the state that a plate is rotated.

1 Claim, 8 Drawing Sheets



(56)

References Cited

U.S. PATENT DOCUMENTS

9,812,919 B2 * 11/2017 Arashi H02K 5/225
D813,810 S * 3/2018 McCool D13/110
D817,273 S * 5/2018 Kato D13/110
D817,275 S * 5/2018 Yeh D13/110
9,961,758 B1 * 5/2018 Pickering H05K 1/0206
D831,569 S * 10/2018 Simoni D13/110
10,110,141 B2 * 10/2018 Bethke H05K 7/20909
D852,740 S * 7/2019 Aitzetmueller D13/110
D856,927 S * 8/2019 Eppinger D13/110
10,388,589 B2 * 8/2019 Kawase
10,464,439 B2 * 11/2019 Liu H02K 5/06
10,477,733 B1 * 11/2019 Skalski H01G 2/08

* cited by examiner

FIG. 1

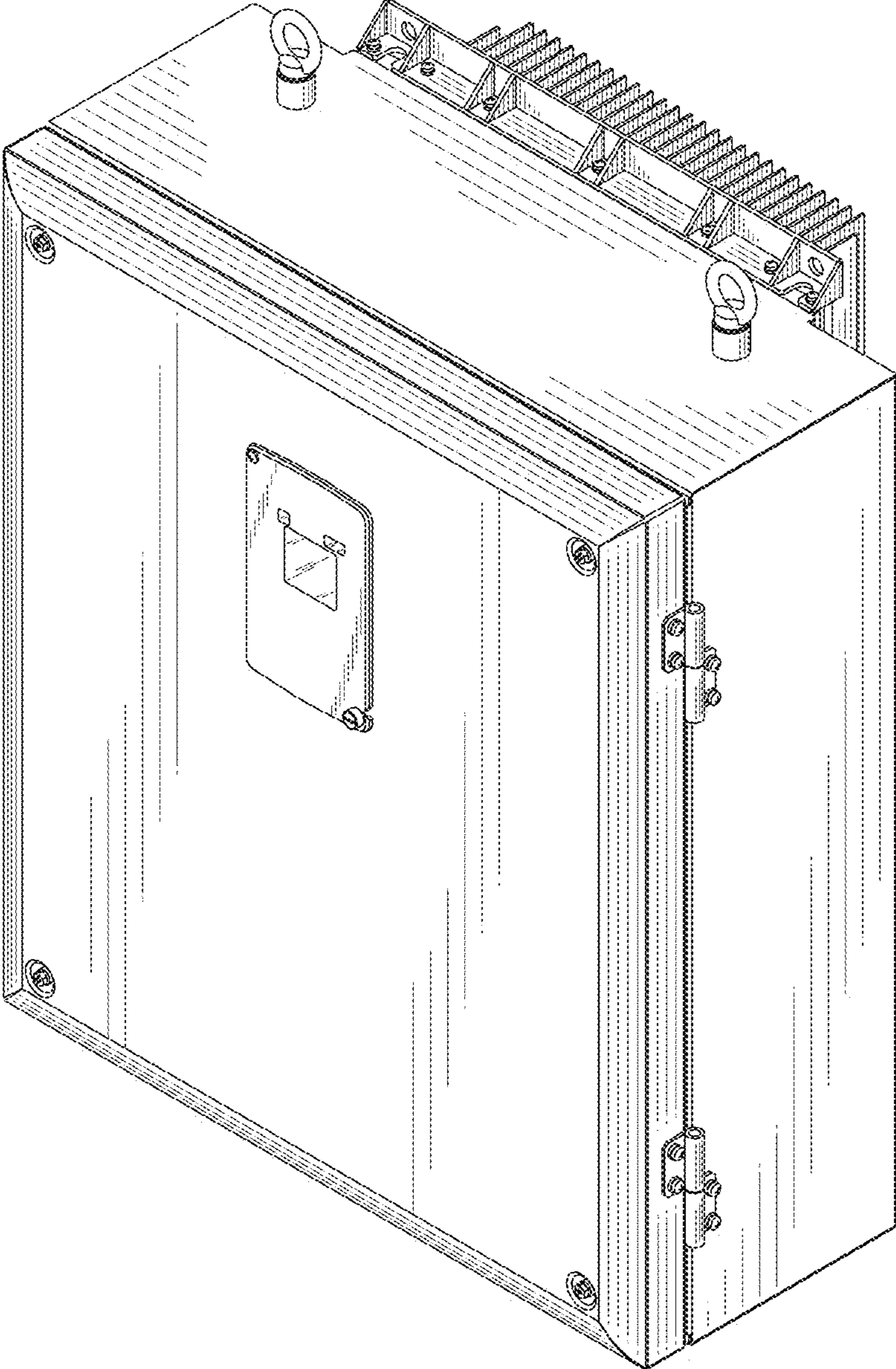


FIG. 2

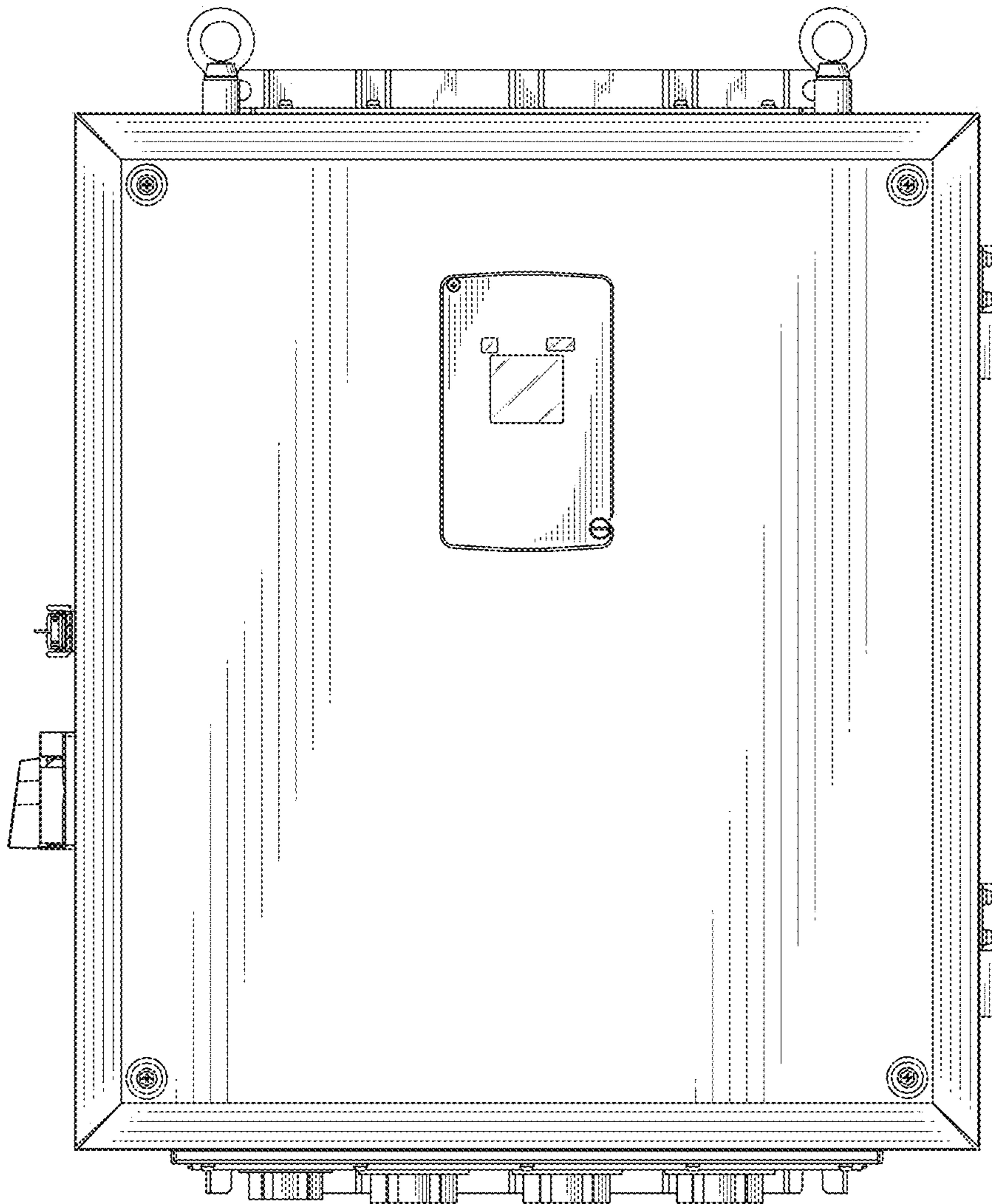


FIG.3

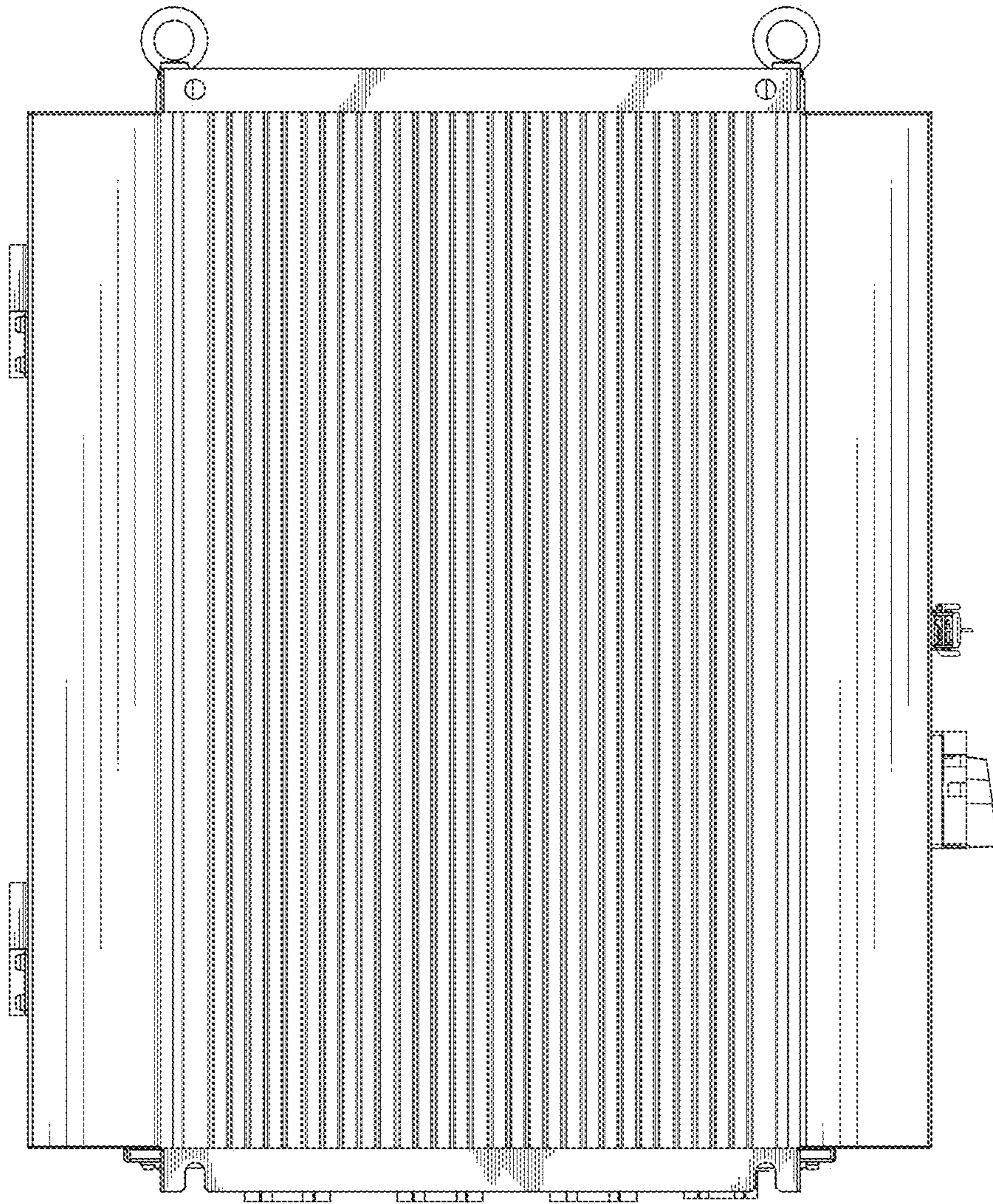


FIG.4

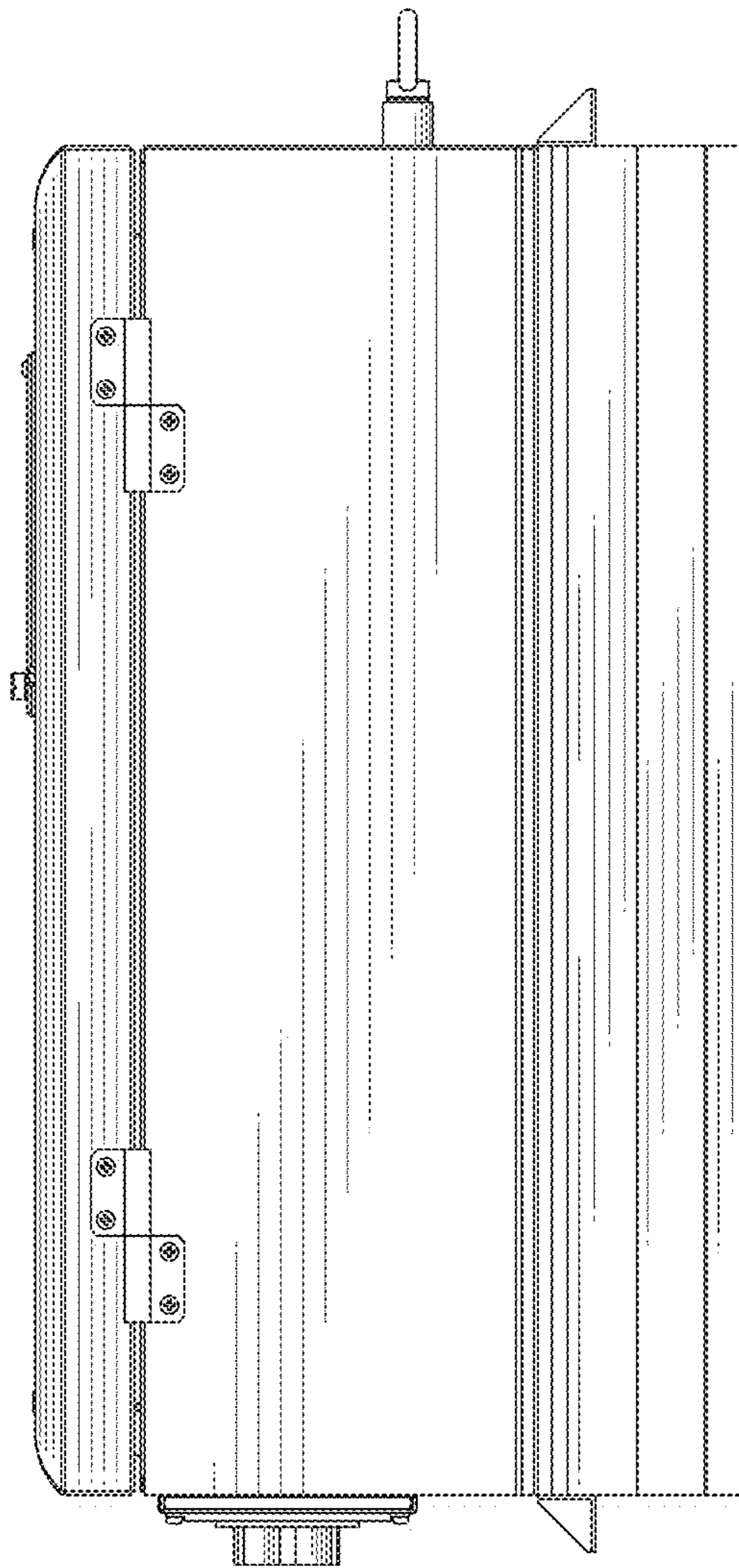


FIG. 5

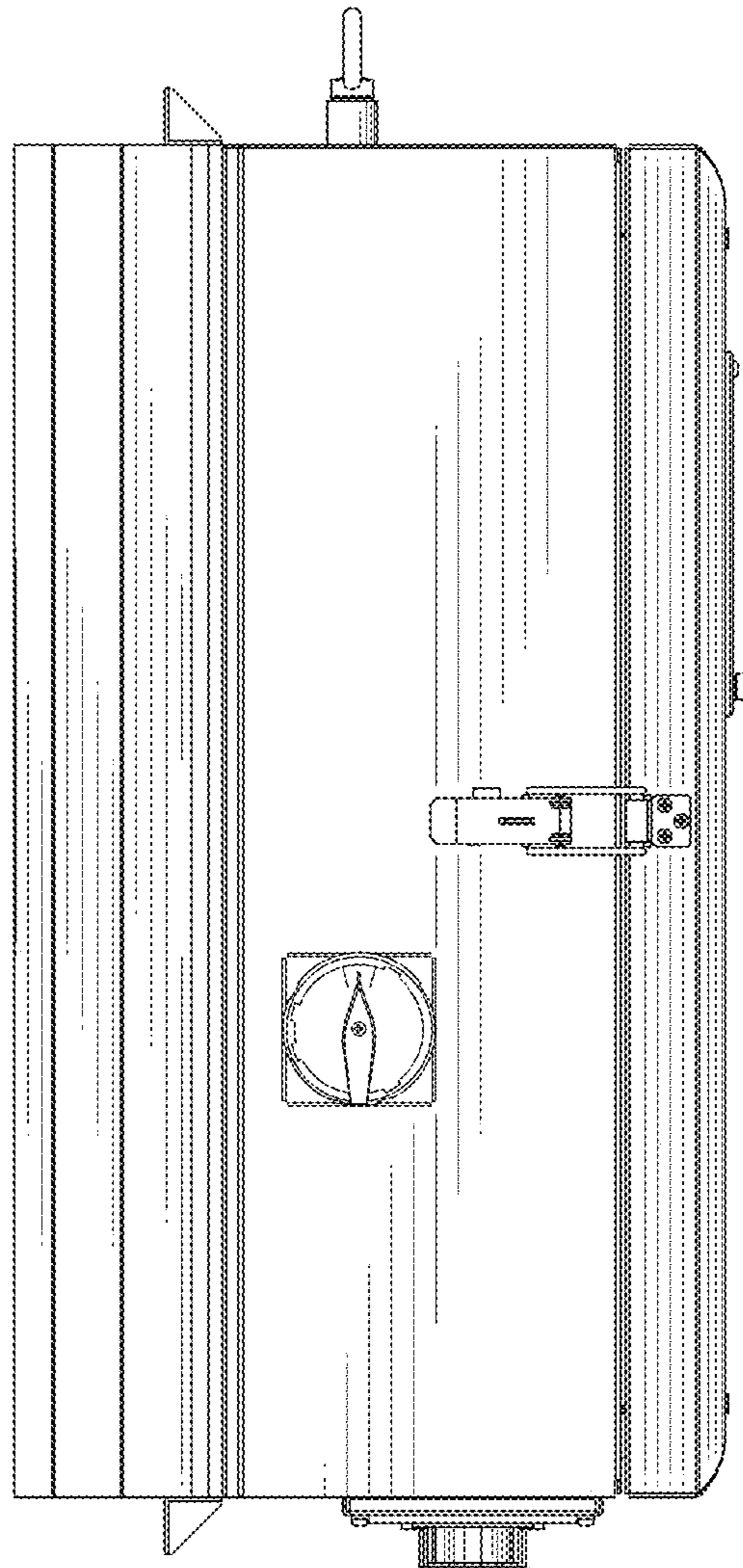


FIG. 6

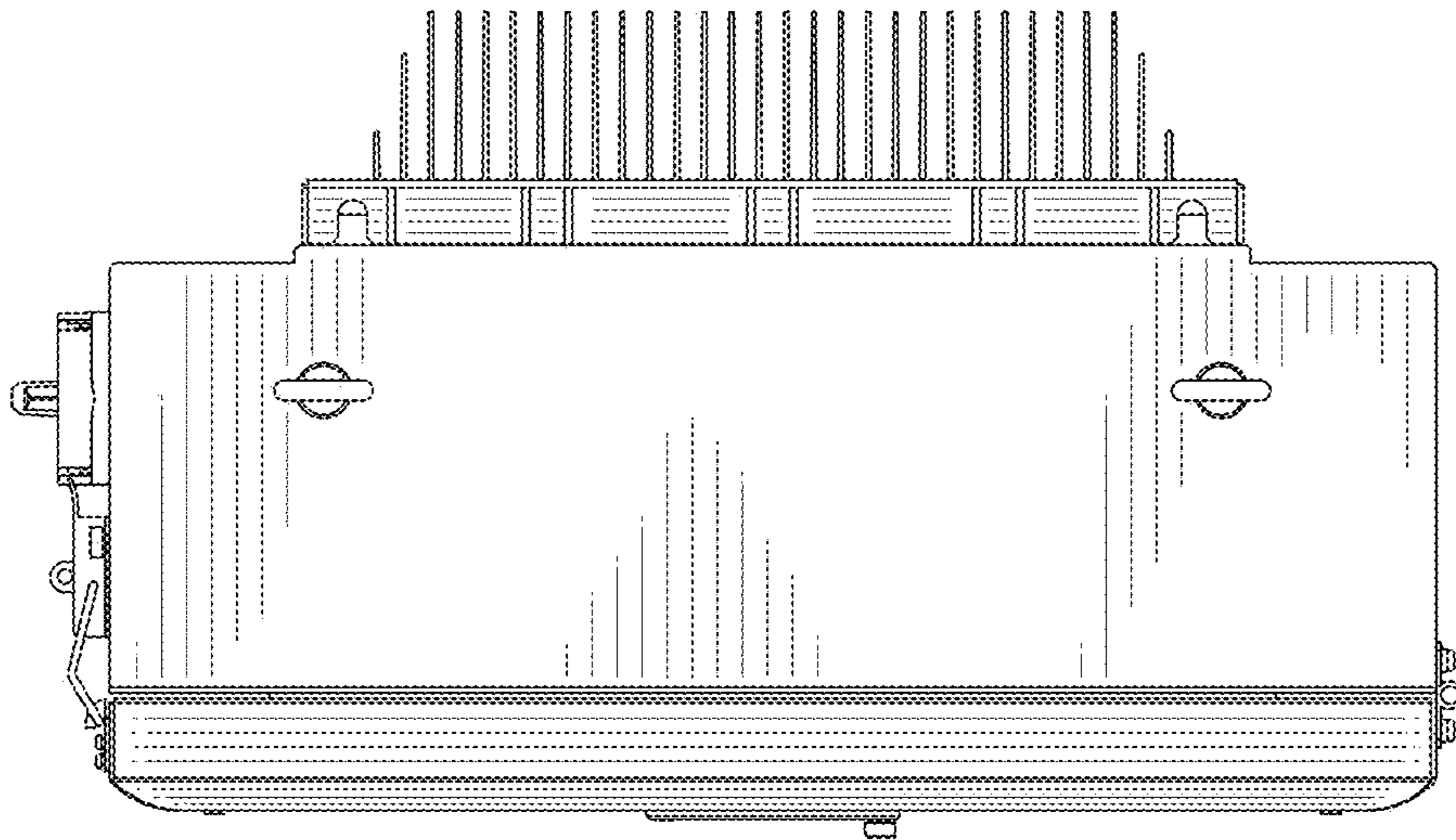


FIG. 7

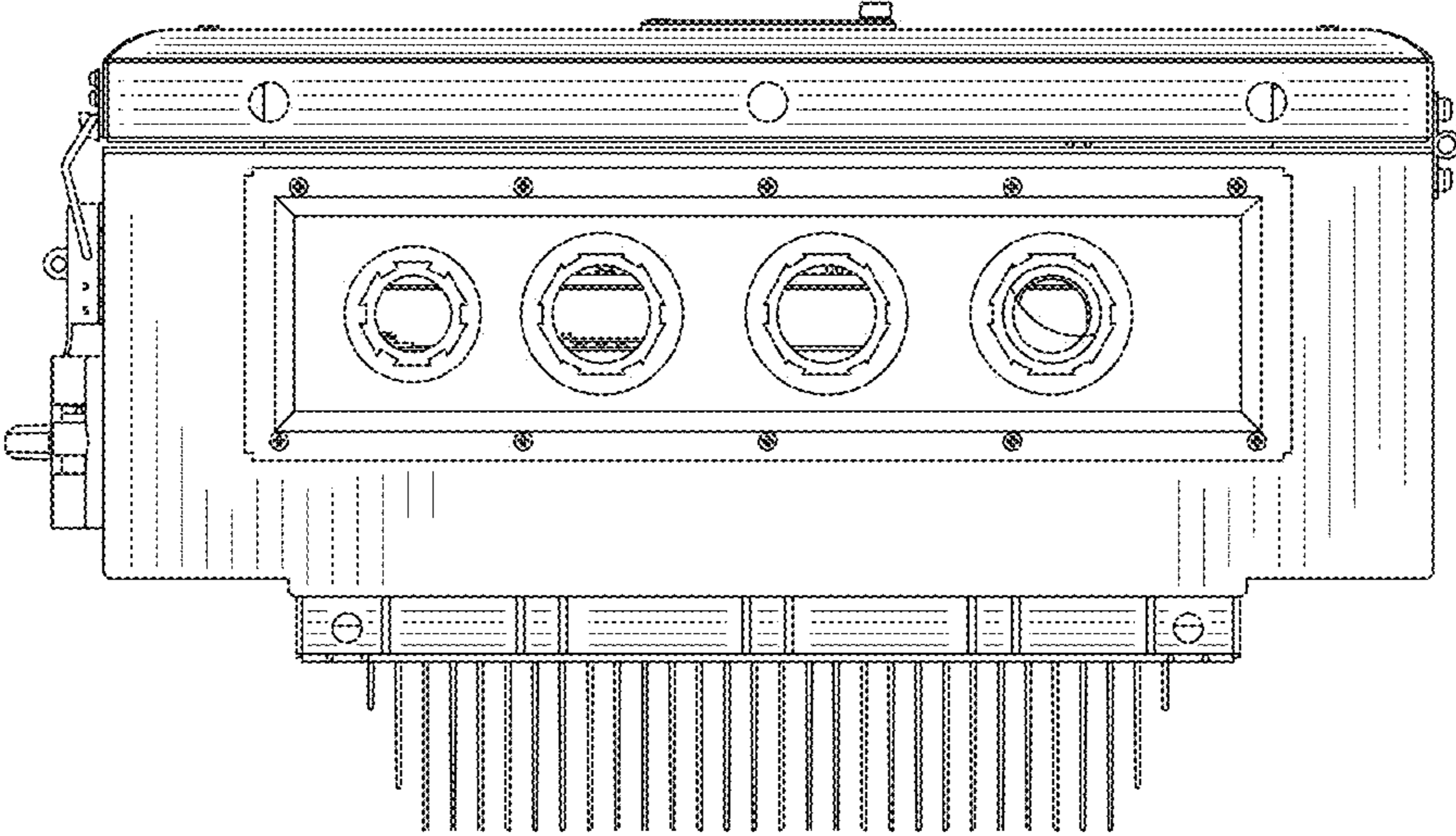


FIG. 8

