



US00D894829S

(12) **United States Design Patent** (10) **Patent No.:** **US D894,829 S**
Zhang et al. (45) **Date of Patent:** **** Sep. 1, 2020**

(54) **HOLDER FOR WIRELESS CHARGER**

(71) Applicant: **UGREEN GROUP LIMITED**,
Shenzhen (CN)

(72) Inventors: **Qingsen Zhang**, Shenzhen (CN);
Junling Chen, Shenzhen (CN); **Jiarong Liang**, Shenzhen (CN)

(**) Term: **15 Years**

(21) Appl. No.: **29/701,826**

(22) Filed: **Aug. 15, 2019**

(51) **LOC (12) Cl.** **13-02**

(52) **U.S. Cl.**
USPC **D13/108**; D14/253

(58) **Field of Classification Search**
USPC D14/251–253, 447, 452, 432–434, 440;
D12/415; D3/218; D8/349, 363;
D13/108

CPC H04M 1/02; H04M 1/04; B60R 11/02;
F16M 11/00; F16M 11/04; F16M 11/06
See application file for complete search history.

(56) **References Cited**

U.S. PATENT DOCUMENTS

D705,211 S * 5/2014 Huang D14/253
D752,571 S * 3/2016 Richter D14/253
D832,248 S * 10/2018 Sukphist D14/253
D833,369 S * 11/2018 Lan D12/415
D864,092 S * 10/2019 Zhang D12/415
D872,014 S * 1/2020 Zhang D13/108
D875,090 S * 2/2020 Leeds-Frank D14/253

D877,688 S * 3/2020 Liu D12/415
D881,200 S * 4/2020 Leeds-Frank D14/447
2007/0284500 A1* 12/2007 Fan H04M 1/04
248/346.06
2010/0295228 A1* 11/2010 Woody B60R 11/0258
269/254 R
2012/0267406 A1* 10/2012 Fan B60R 11/02
224/482
2015/0072555 A1* 3/2015 Riddiford F16M 11/041
439/575

* cited by examiner

Primary Examiner — Janice Hallmark

(74) *Attorney, Agent, or Firm* — ZANIP

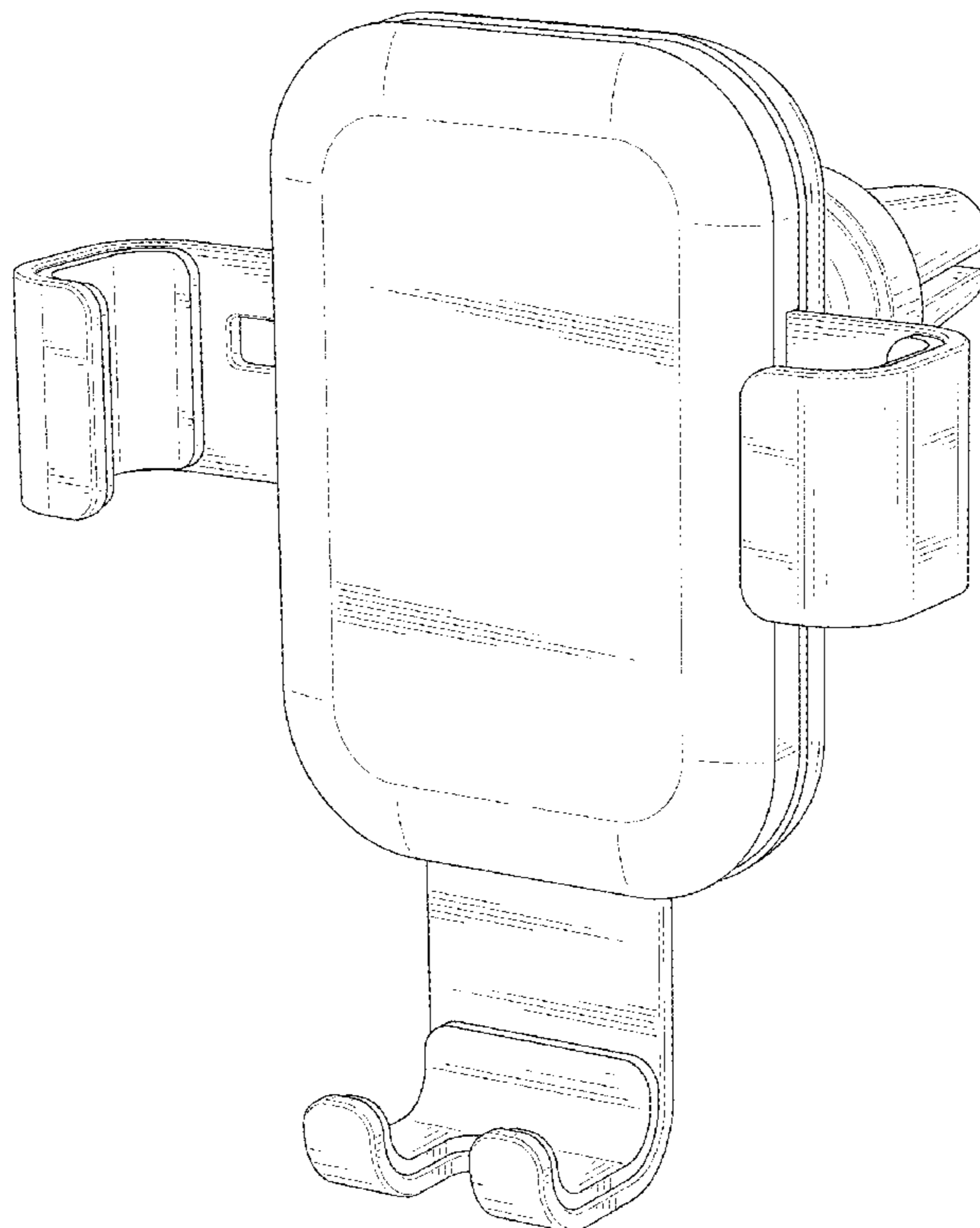
(57) **CLAIM**

The ornamental design for a holder for wireless charger, as shown and described.

DESCRIPTION

FIG. 1 is a perspective view of a holder for wireless charger, showing our new design;
FIG. 2 is a front elevational view thereof;
FIG. 3 is a back elevational view thereof;
FIG. 4 is a left side elevational view thereof;
FIG. 5 is a right side elevational view thereof;
FIG. 6 is a top plan view thereof; and,
FIG. 7 is a bottom plan view thereof.
The broken lines in the figures illustrate portions of the holder for wireless charger that form no part of the claimed design.

1 Claim, 7 Drawing Sheets



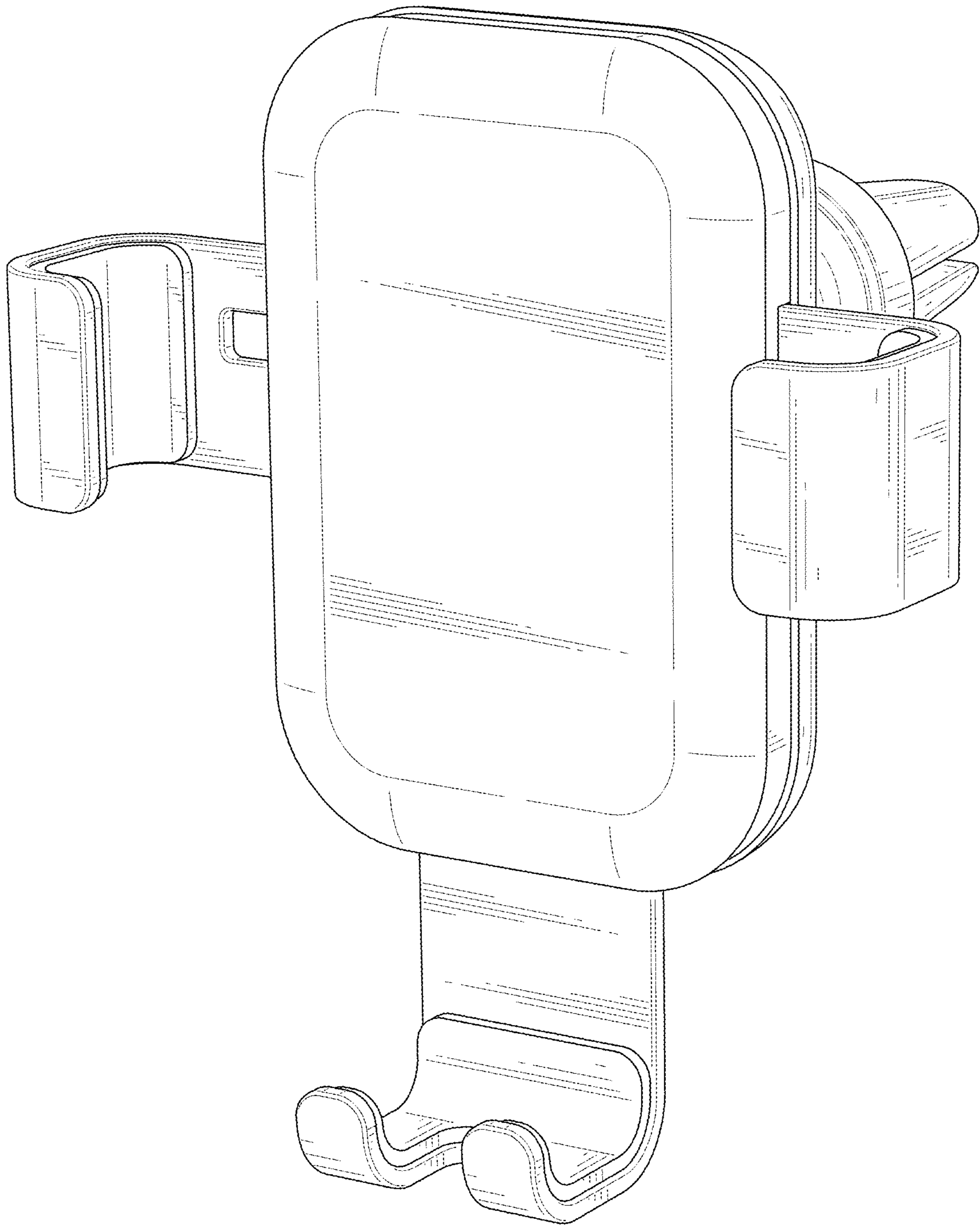


FIG. 1

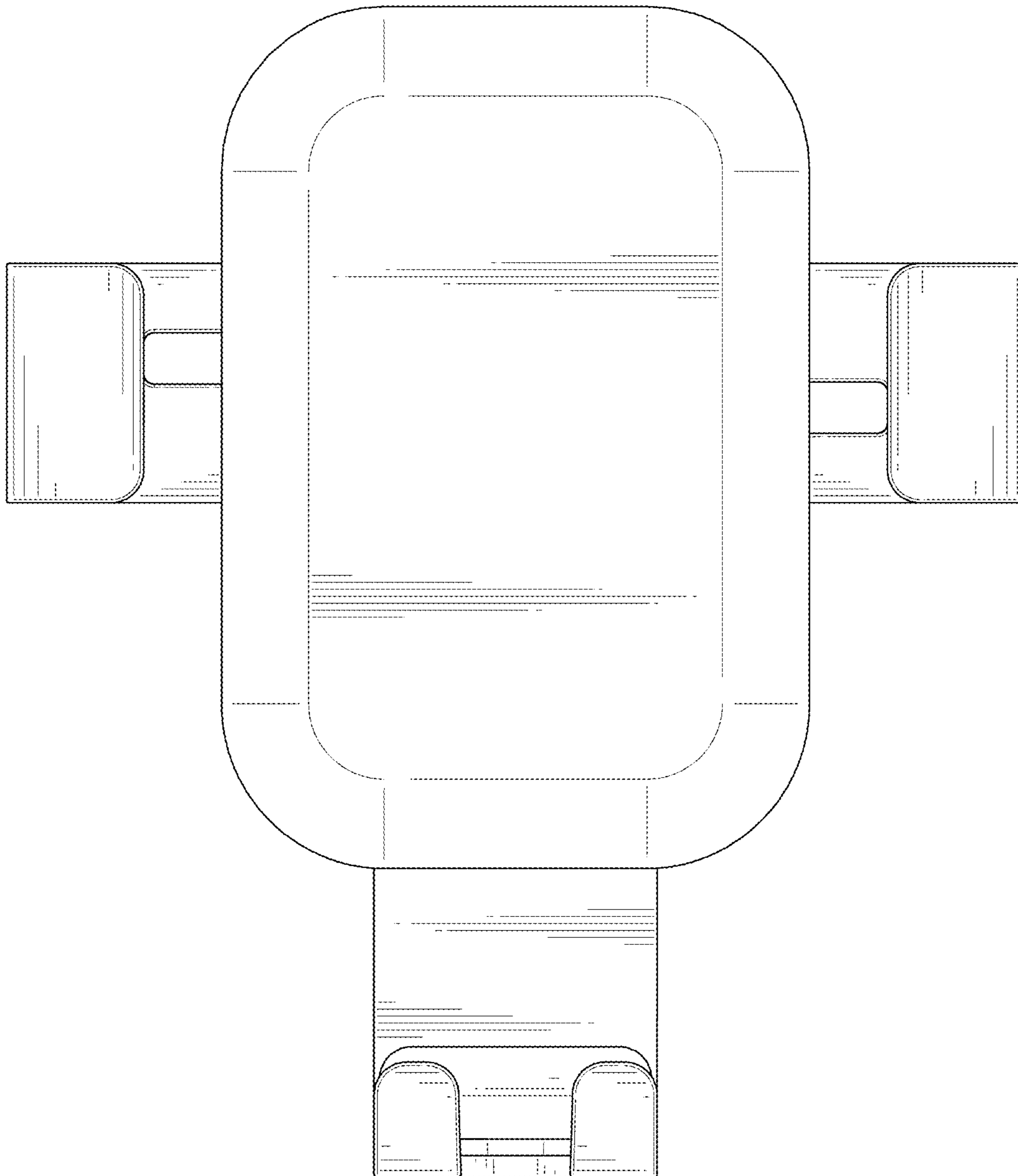


FIG. 2

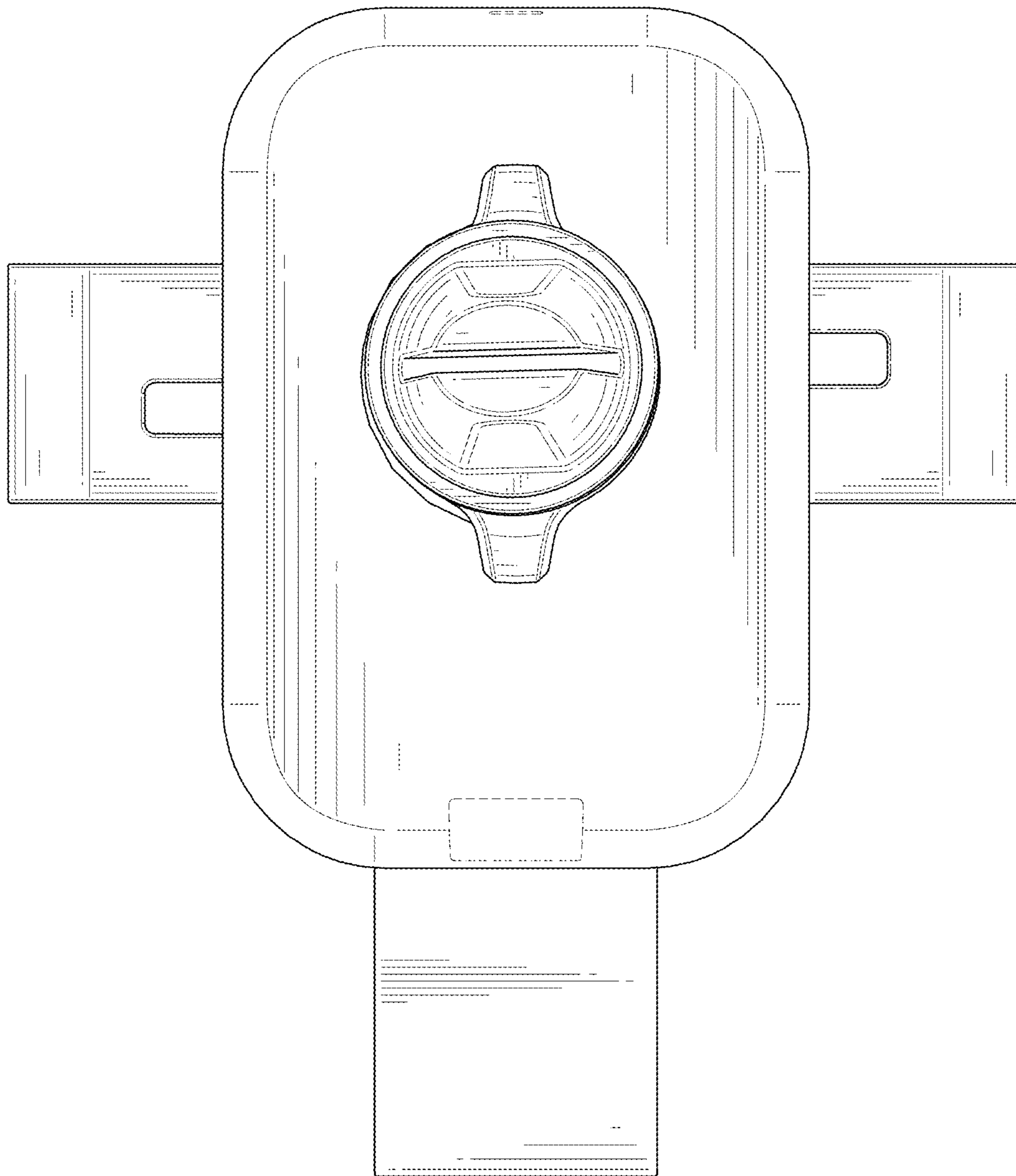


FIG. 3

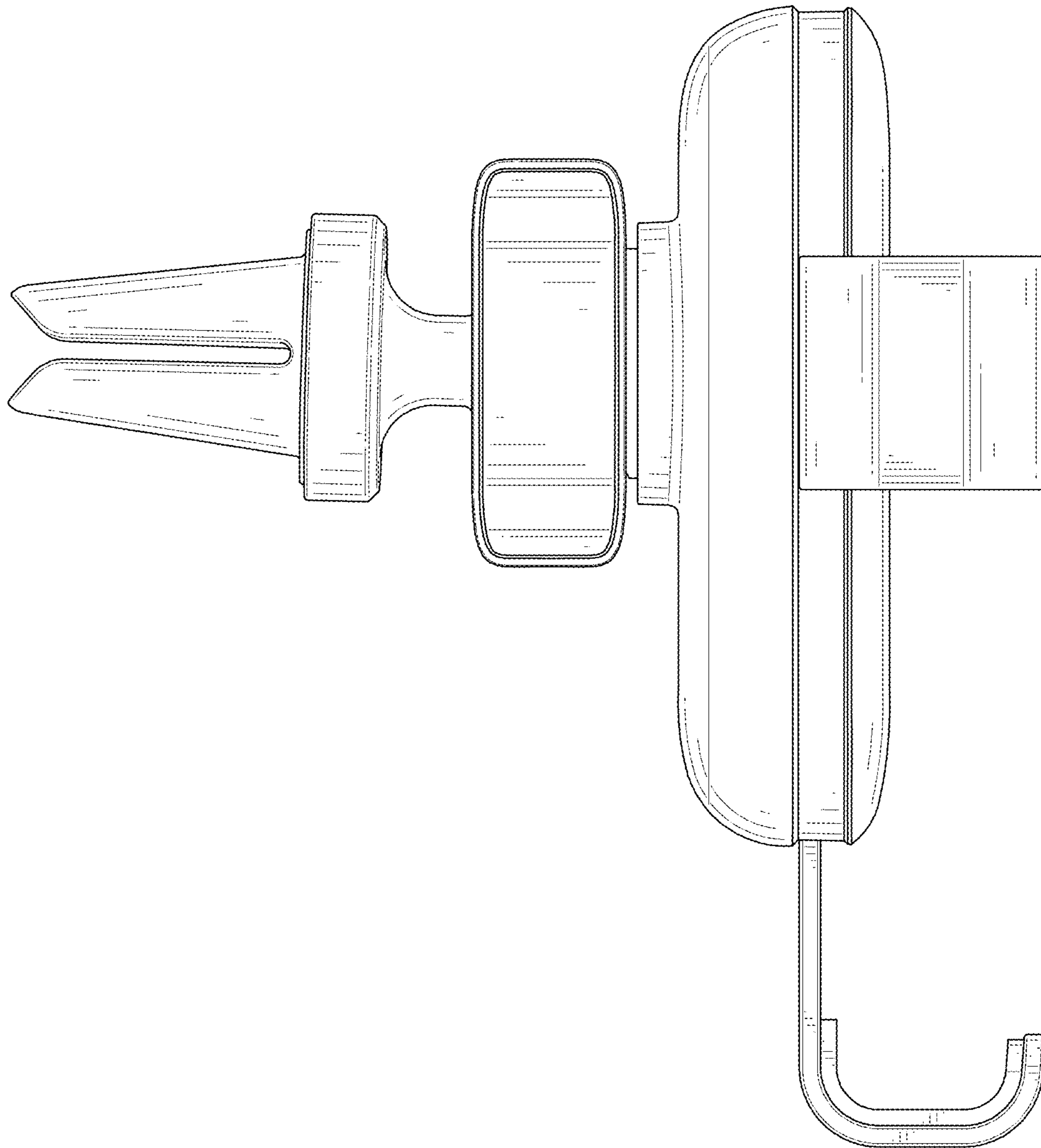


FIG. 4

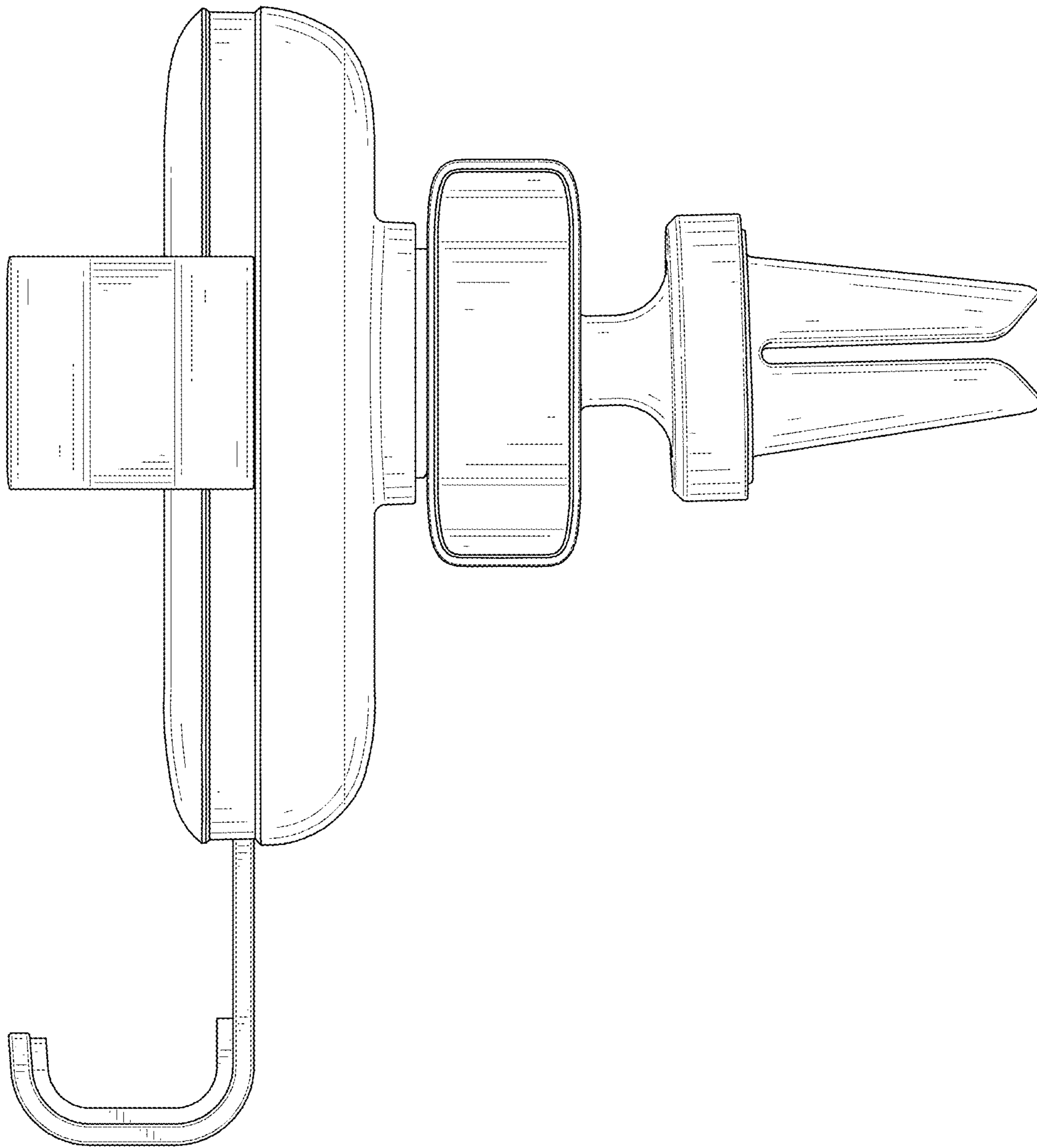


FIG. 5

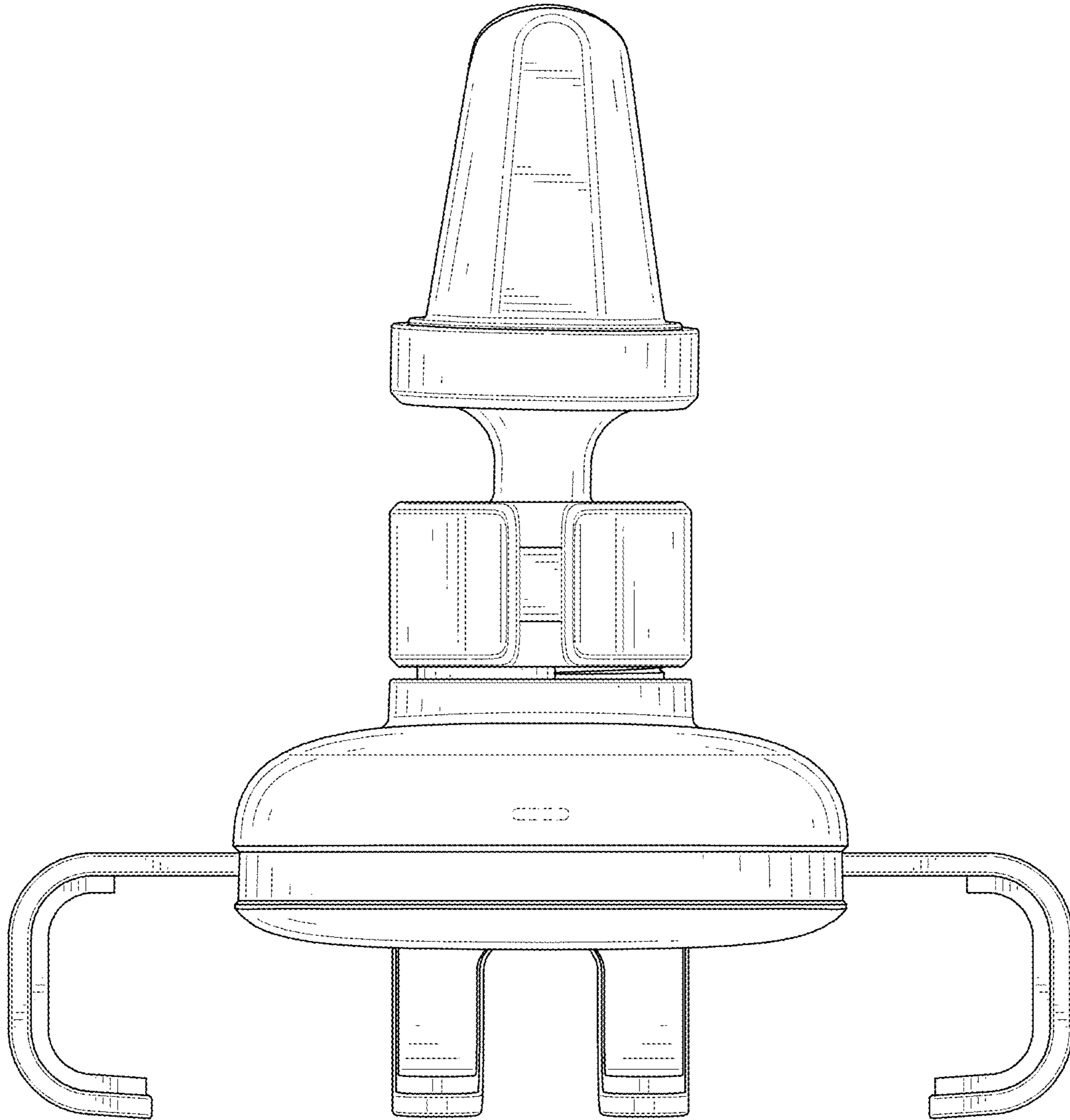


FIG. 6

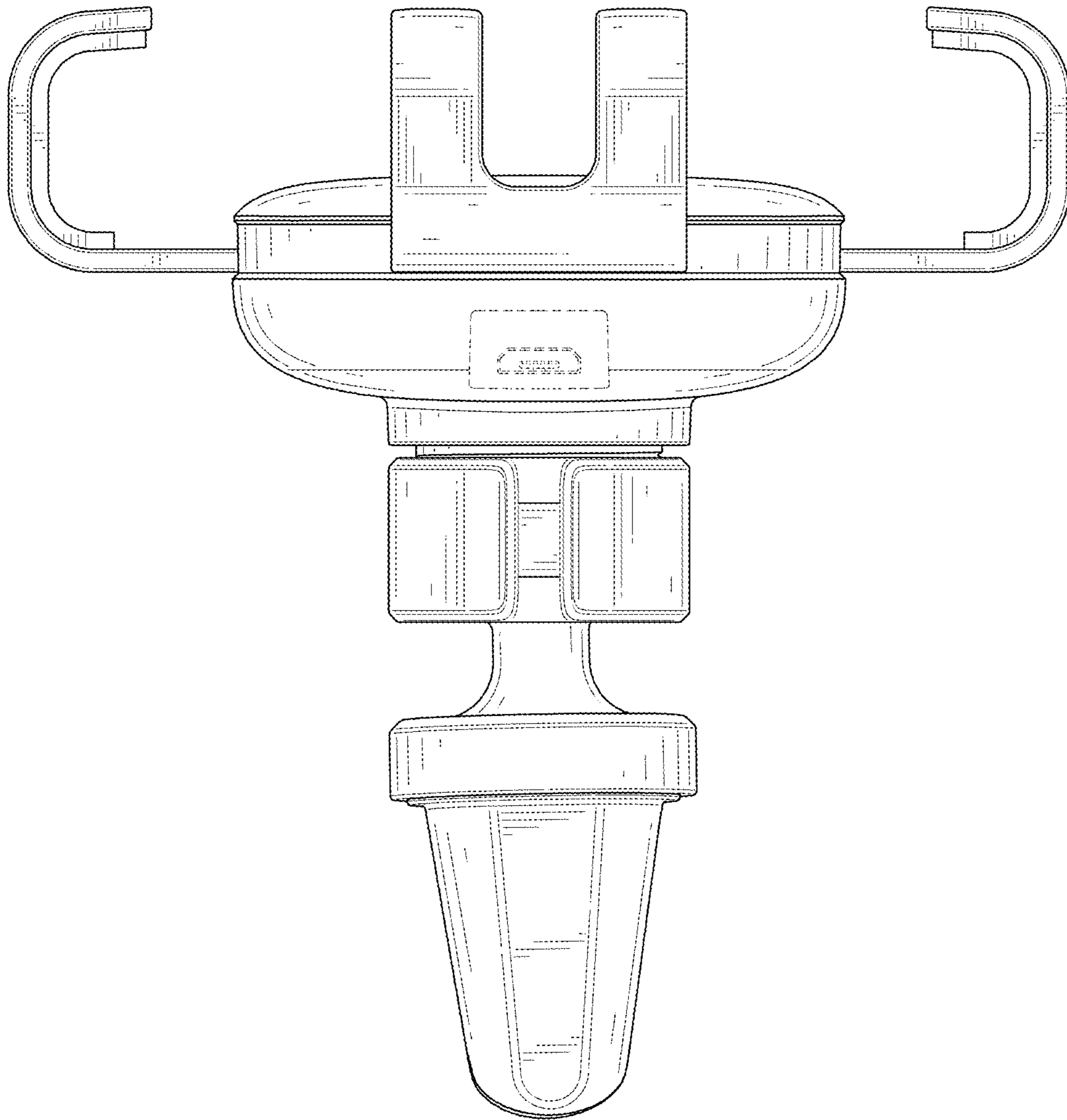


FIG. 7