



US00D894828S

(12) **United States Design Patent** (10) **Patent No.:** **US D894,828 S**  
**Chen et al.** (45) **Date of Patent:** **\*\* Sep. 1, 2020**

(54) **DOCKING STATION**  
(71) Applicant: **SHENZHEN DNS INDUSTRIES CO., LTD**, Shenzhen, Guangdong (CN)  
(72) Inventors: **Deqing Chen**, Guangdong (CN); **Wensheng Liu**, Guangdong (CN); **Zongkai Lu**, Guangdong (CN); **Yang Yang**, Guangdong (CN)  
(73) Assignee: **SHENZHEN DNS INDUSTRIES CO., LTD**, Shenzhen, Guangdong (CN)  
(\*\*) Term: **15 Years**  
(21) Appl. No.: **29/632,668**  
(22) Filed: **Jan. 9, 2018**

(30) **Foreign Application Priority Data**  
Sep. 25, 2017 (CN) ..... 2017 3 0456984  
(51) **LOC (12) Cl.** ..... **13-02**  
(52) **U.S. Cl.**  
USPC ..... **D13/108**; D14/434  
(58) **Field of Classification Search**  
USPC ..... D13/103, 107-110, 118-119, 184, 199;  
D14/251, 253, 432, 434  
CPC ..... Y02E 60/10; Y02E 60/12; Y02E 60/122;  
Y02E 60/124; Y02E 60/50; H02J 7/00;  
H02J 7/0003; H02J 7/0011; H02J 7/0013;  
H02J 7/0054; H02J 7/0055; H02J 7/0057;  
H01M 10/44; H01M 10/46; H01M 10/465;  
H01M 10/482; H01M 2/02; H01M 2/022;  
H01M 2/0202; H01M 2/0207; H01M 2/0212;  
H01M 2/1061; H01M 2/1022; H01M 2/1055; H01M 2/1066;  
H01M 2/105; H01M 2/20; H01M 2/202;  
H01M 2/204; H01M 2/206; H01M 2200/30;  
H01M 2250/30; H01M 2250/40  
See application file for complete search history.

(56) **References Cited**  
U.S. PATENT DOCUMENTS  
D612,329 S \* 3/2010 Guccione ..... D13/108  
D628,535 S \* 12/2010 Cheng ..... D13/108  
D742,312 S \* 11/2015 Gupta ..... D13/103  
D745,456 S \* 12/2015 Fung ..... D13/108  
D763,185 S \* 8/2016 Wen ..... D13/103  
D764,404 S \* 8/2016 Lau ..... D13/103  
D783,525 S \* 4/2017 Gupta ..... D13/108  
D787,443 S \* 5/2017 Chiang ..... D13/110  
D788,037 S \* 5/2017 Hung ..... D13/110  
D798,811 S \* 10/2017 Liao ..... D13/110  
D812,000 S \* 3/2018 Li ..... D13/108  
D814,405 S \* 4/2018 Hahn ..... D13/107  
D823,243 S \* 7/2018 Toscani ..... D13/107  
D824,328 S \* 7/2018 Liu ..... D13/108  
D824,329 S \* 7/2018 Conocenti ..... D13/108  
D826,854 S \* 8/2018 Roberts ..... D13/108  
D836,543 S \* 12/2018 Sun ..... D13/108

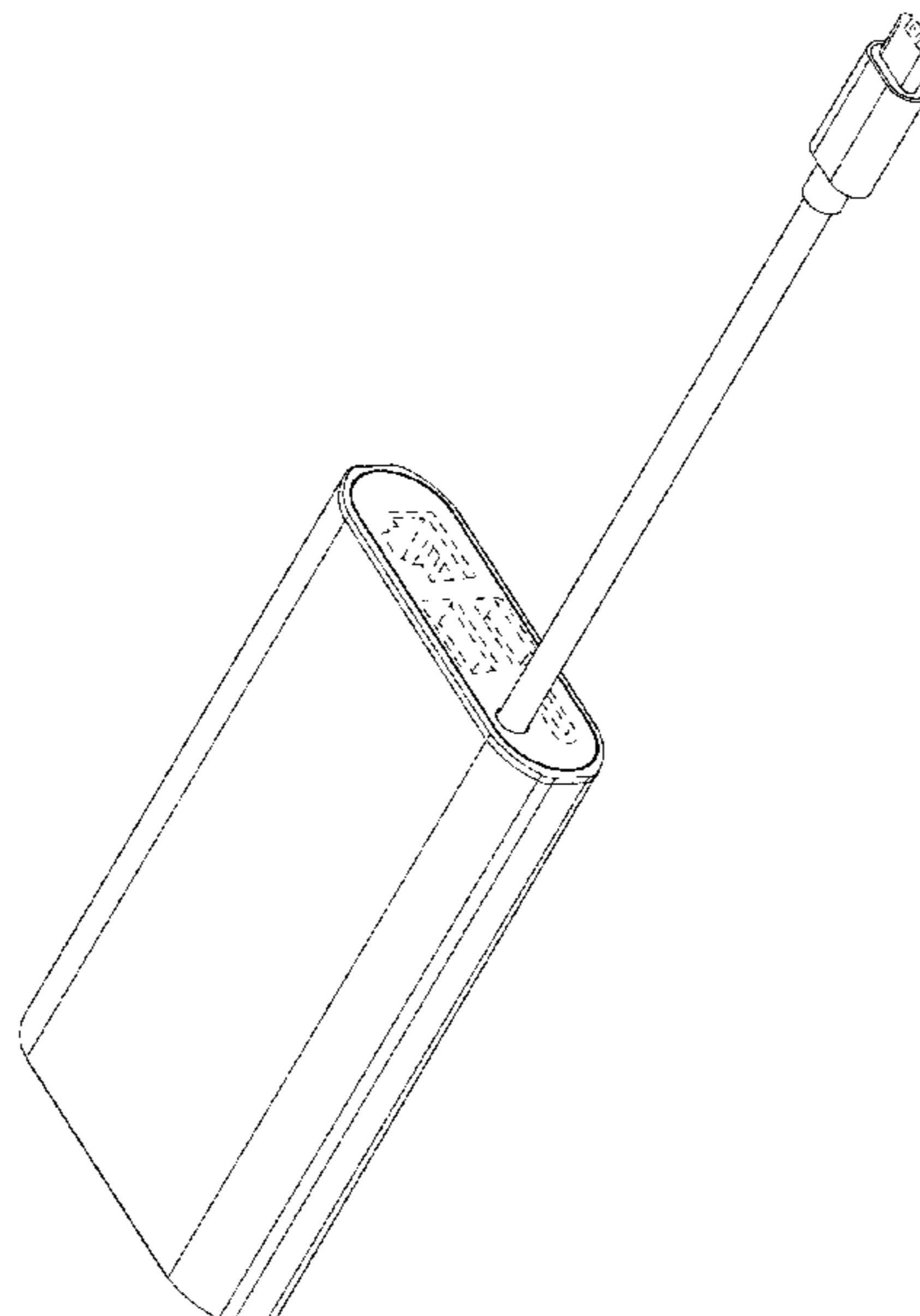
(Continued)

*Primary Examiner* — Rosemary K Tarcza  
(74) *Attorney, Agent, or Firm* — Muncy, Geissler, Olds & Lowe, P.C.

(57) **CLAIM**  
The ornamental design for a docking station, as shown and described.

**DESCRIPTION**  
FIG. 1 is a perspective view of a docking station showing our design;  
FIG. 2 is a front elevational view thereof;  
FIG. 3 is a rear elevational view thereof;  
FIG. 4 is a left side elevational view thereof;  
FIG. 5 is a right side elevational view thereof;  
FIG. 6 is a top plan view thereof; and,  
FIG. 7 is a bottom plan view thereof.  
The broken lines illustrate portions of the docking station which form no part of the claimed design.

**1 Claim, 5 Drawing Sheets**



(56)

**References Cited**

U.S. PATENT DOCUMENTS

D838,241 S *	1/2019	Xie .....	D13/108
D842,237 S *	3/2019	Qiu .....	D13/103
D843,316 S *	3/2019	Zhou .....	D13/108
D853,322 S *	7/2019	Xu .....	D13/108
D853,958 S *	7/2019	Lei .....	D13/108
D853,959 S *	7/2019	Miller .....	D13/108
D856,278 S *	8/2019	Turksu .....	D13/108

\* cited by examiner

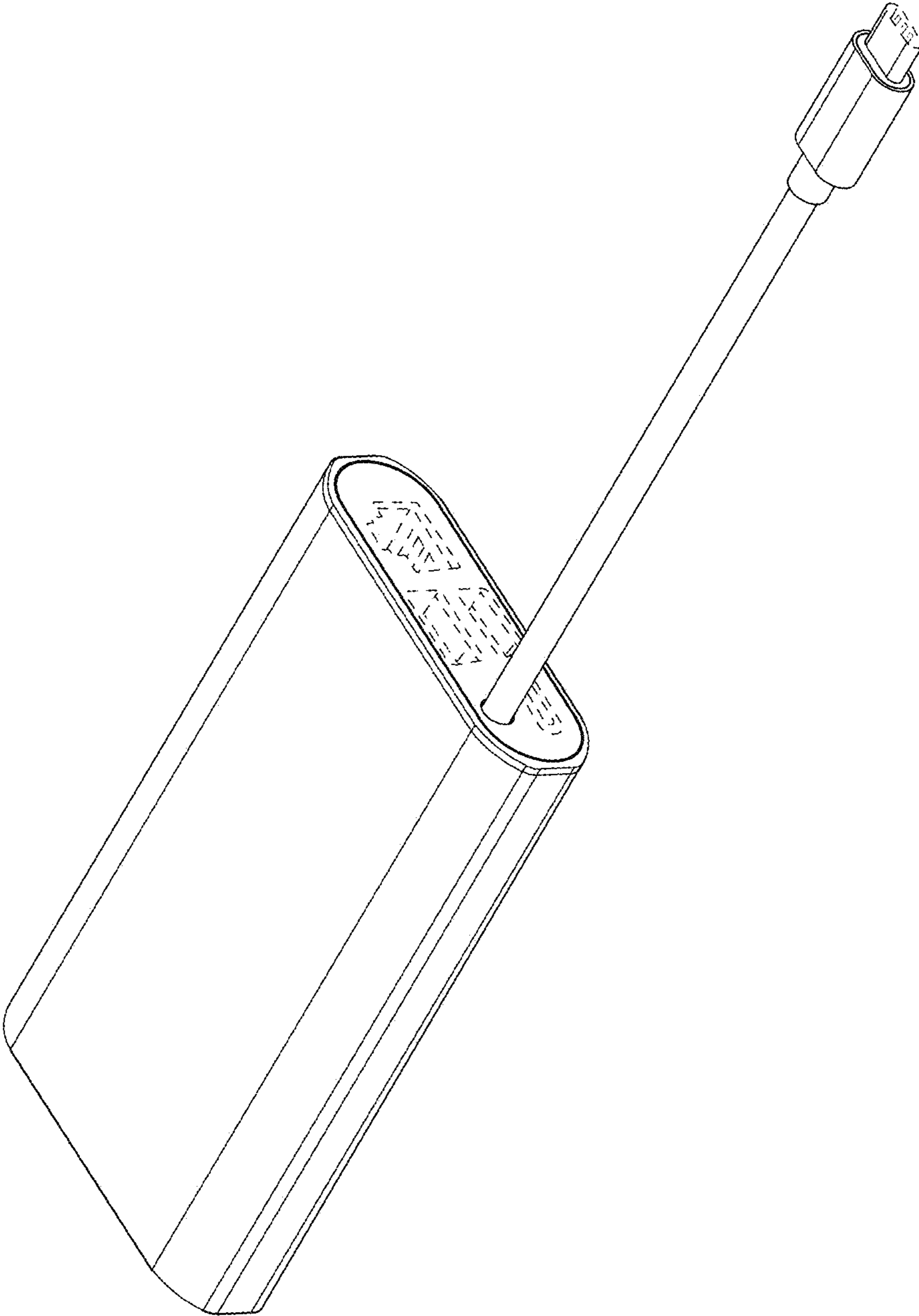


Fig. 1

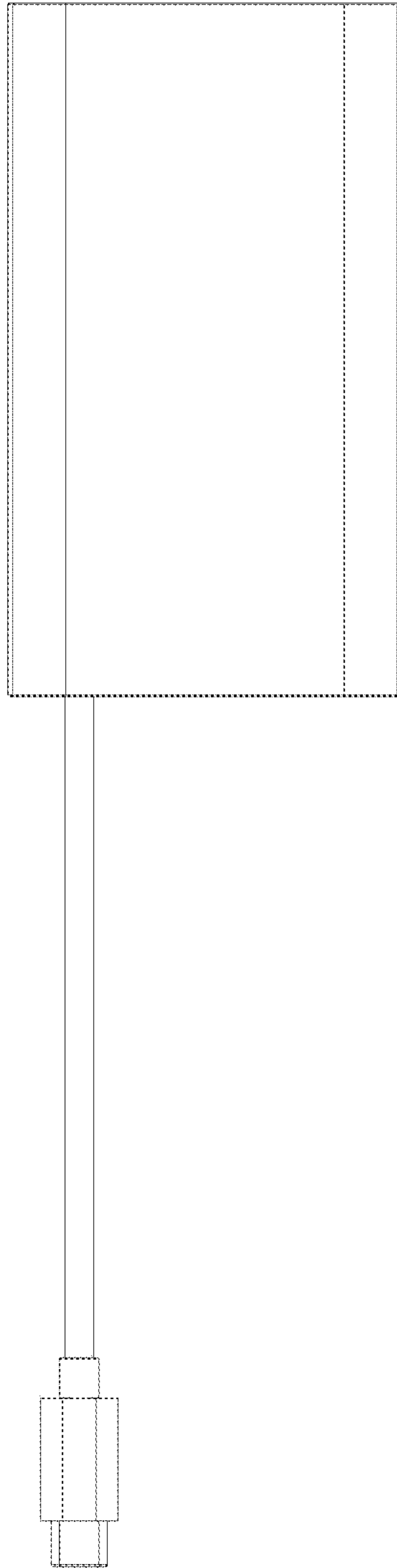


Fig. 2

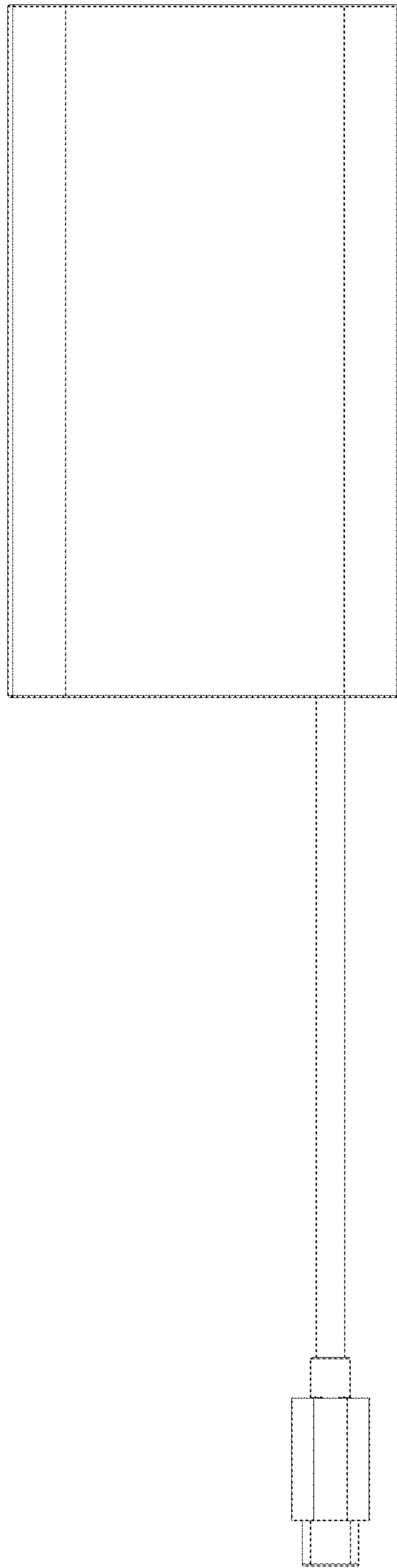


Fig. 3

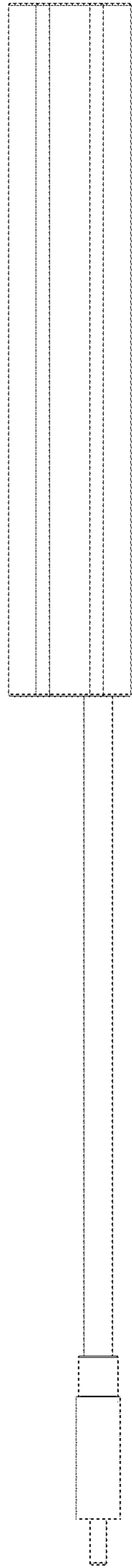


Fig. 4

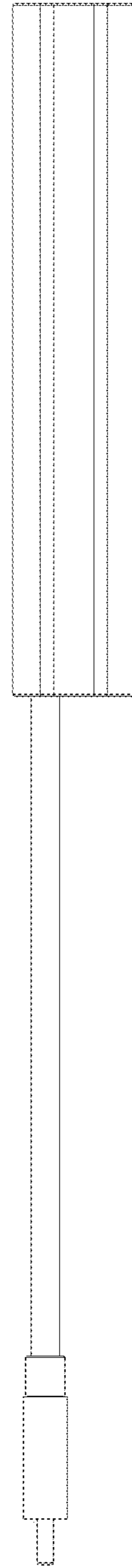


Fig. 5



Fig. 6



Fig. 7