



US00D894826S

(12) **United States Design Patent** (10) **Patent No.:** **US D894,826 S**
Fountain et al. (45) **Date of Patent:** **** Sep. 1, 2020**

(54) **BATTERY**

(71) Applicant: **SYMBOL TECHNOLOGIES, LLC**,
Lincolnshire, IL (US)

(72) Inventors: **Mark Thomas Fountain**, London
(GB); **JaeHo Choi**, Whitestone, NY
(US); **Edward Anthony Hackett**,
Surbiton (GB)

(73) Assignee: **Symbol Technologies, LLC**, Holtsville,
NY (US)

(**) Term: **15 Years**

(21) Appl. No.: **29/590,892**

(22) Filed: **Jan. 13, 2017**

(51) **LOC (12) Cl.** **13-02**

(52) **U.S. Cl.**
USPC **D13/103**

(58) **Field of Classification Search**

USPC D13/103, 107, 108, 110, 133,
D13/137.1-137.4, 138.1-138.2,
D13/139.1-139.8, 146, 147, 151-156,
D13/173, 177, 199; D14/432, 433, 435.1,
D14/250; D23/231, 232; D15/7-9;
D8/350, 353-356
CPC H01R 11/00; H01R 9/00; H01R 13/00;
H01R 13/04; H01R 13/10; H01R
13/6666; H01R 13/6675; H01R 25/00;
H01R 25/006; H01H 2207/00; H01H
2207/022; Y02E 60/12; Y02E 60/122;
Y02E 60/124; Y02E 60/50; H01M 2/02;
H01M 2/022; H01M 2/0202; H01M
2/0207; H01M 2/0212; H01M 2/1061;
H01M 2/1022; H01M 2/1055; H01M
2/1066; H01M 2/105; H01M 2/204; H02J
7/00; H02J 7/0003; H02J 7/0011; H02J
7/0013; H02J 7/0054; H02J 7/0055; H02J
7/0057; Y02T 10/7005; Y02T 10/705;
Y02T 10/7088; B60L 11/1809; B60L
11/1861

See application file for complete search history.

(56) **References Cited**

U.S. PATENT DOCUMENTS

D571,720 S *	6/2008	Yang	D13/107
D571,721 S *	6/2008	Yang	D13/107
D610,984 S *	3/2010	Khan	D13/108
D616,360 S	5/2010	Huang		
D621,345 S *	8/2010	Tinius	D13/107
D676,432 S	2/2013	Hasbrook et al.		
D677,219 S *	3/2013	Nokuo	D13/108
D707,625 S *	6/2014	Ibuki	D13/108
D718,230 S	11/2014	To et al.		
D786,320 S	5/2017	Harvey et al.		
D836,638 S *	12/2018	Fountain	D14/426
D851,653 S *	6/2019	Huang	D14/453
D862,391 S *	10/2019	Sutter	D13/147
2010/0279163 A1 *	11/2010	Lao	H01M 2/1022 429/97

* cited by examiner

Primary Examiner — Rosemary K Tarcza

Assistant Examiner — Christy M Nemeth

(57) **CLAIM**

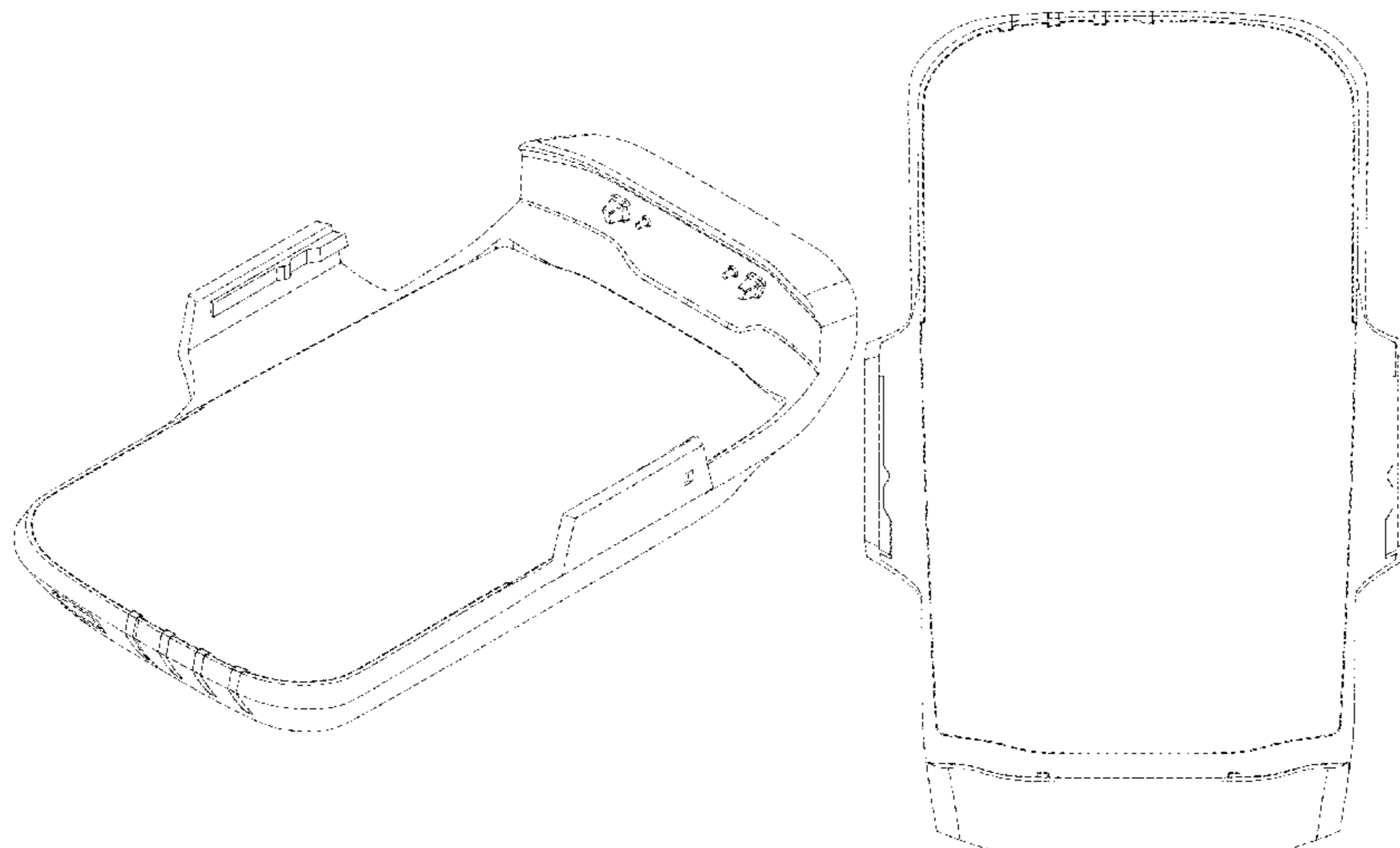
We claim the ornamental design for a battery, as shown and described.

DESCRIPTION

FIG. 1 is a front perspective view of a battery;
FIG. 2 is a rear perspective view thereof;
FIG. 3 is a front view thereof;
FIG. 4 is a back view thereof;
FIG. 5 is a left side view thereof;
FIG. 6 is a right side view thereof;
FIG. 7 is a top view thereof; and,
FIG. 8 is a bottom view thereof.

The broken lines in the drawings are for the purpose of illustrating environment and form no part of the claimed design.

1 Claim, 6 Drawing Sheets



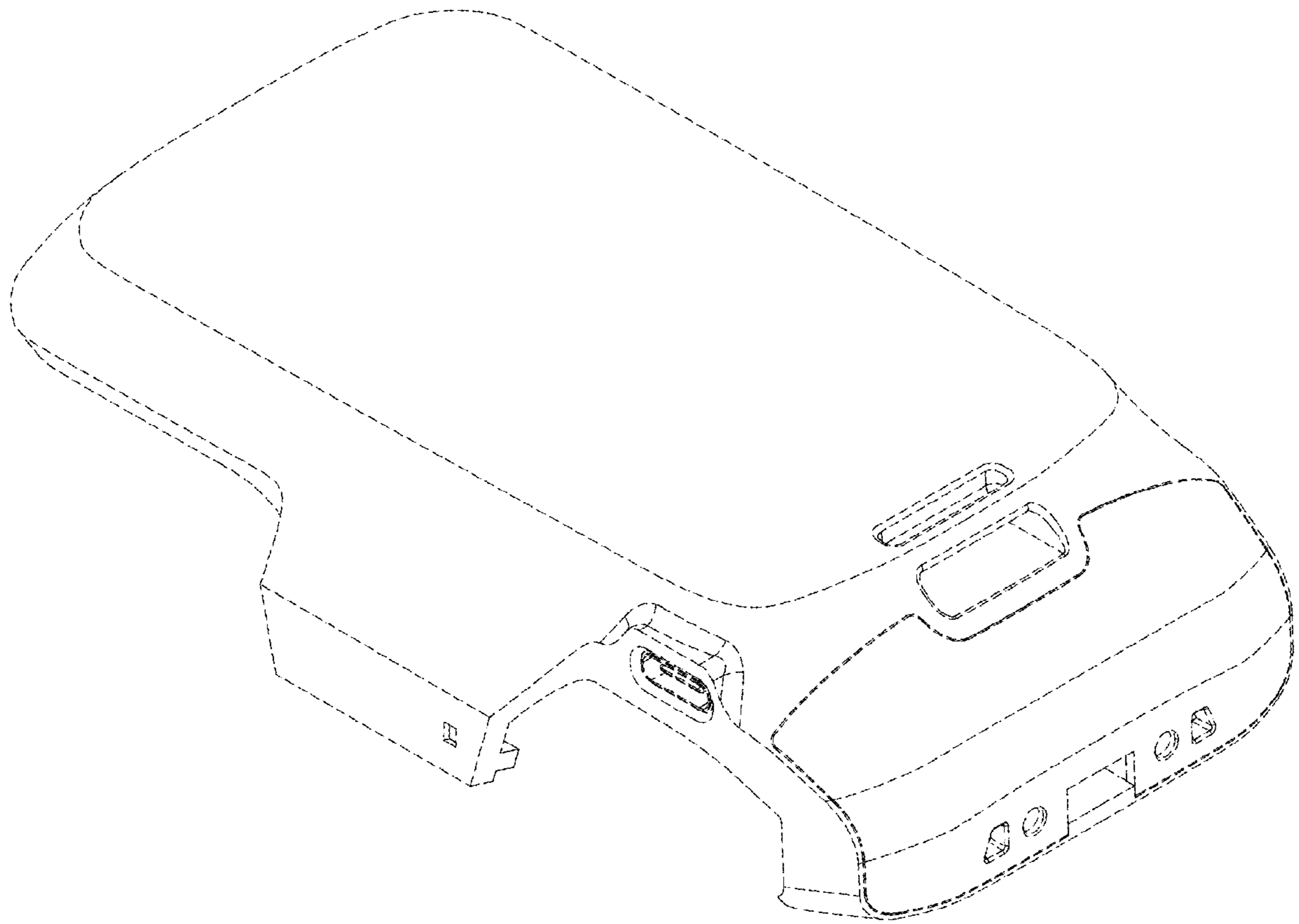


FIG. 1

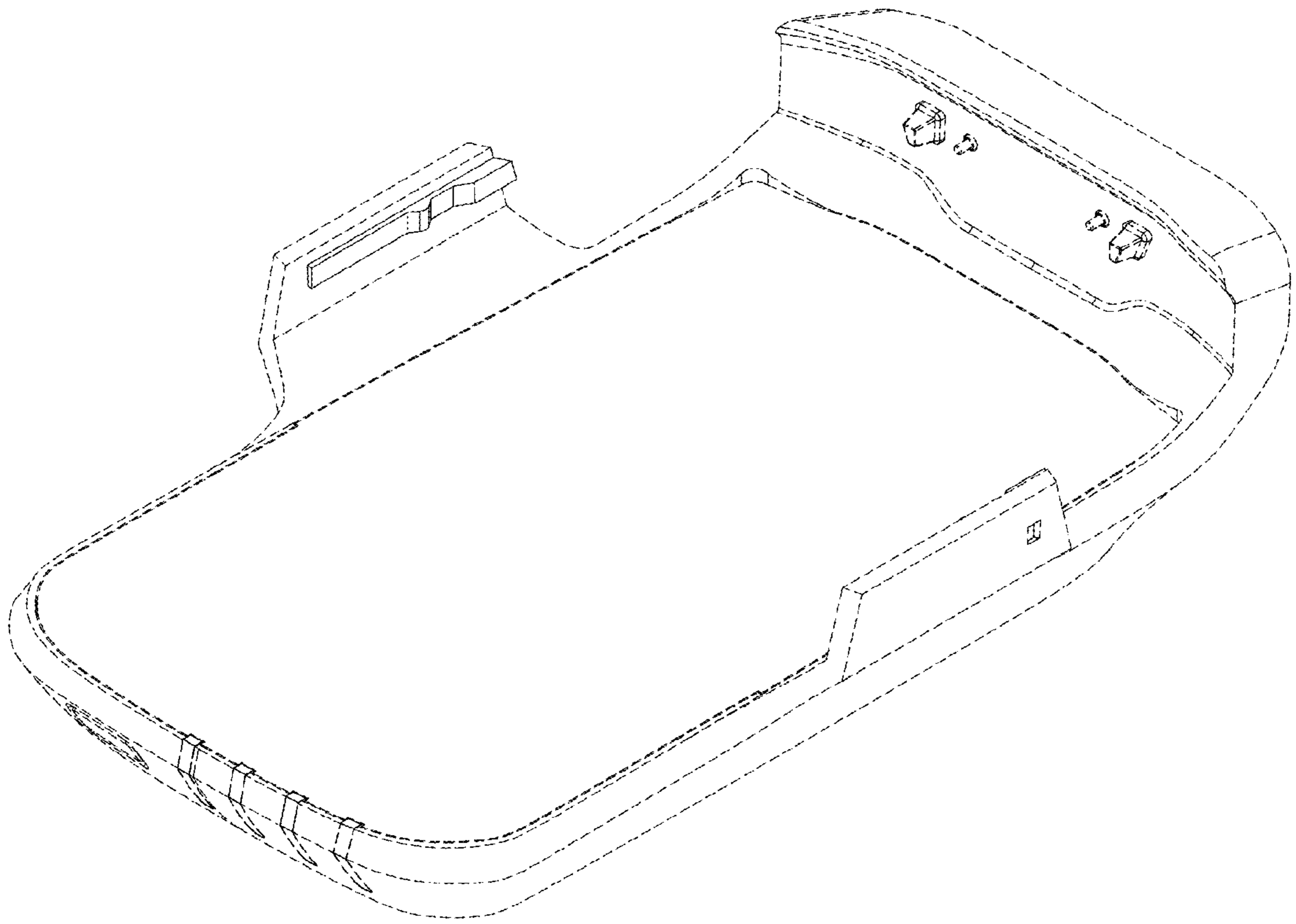


FIG. 2

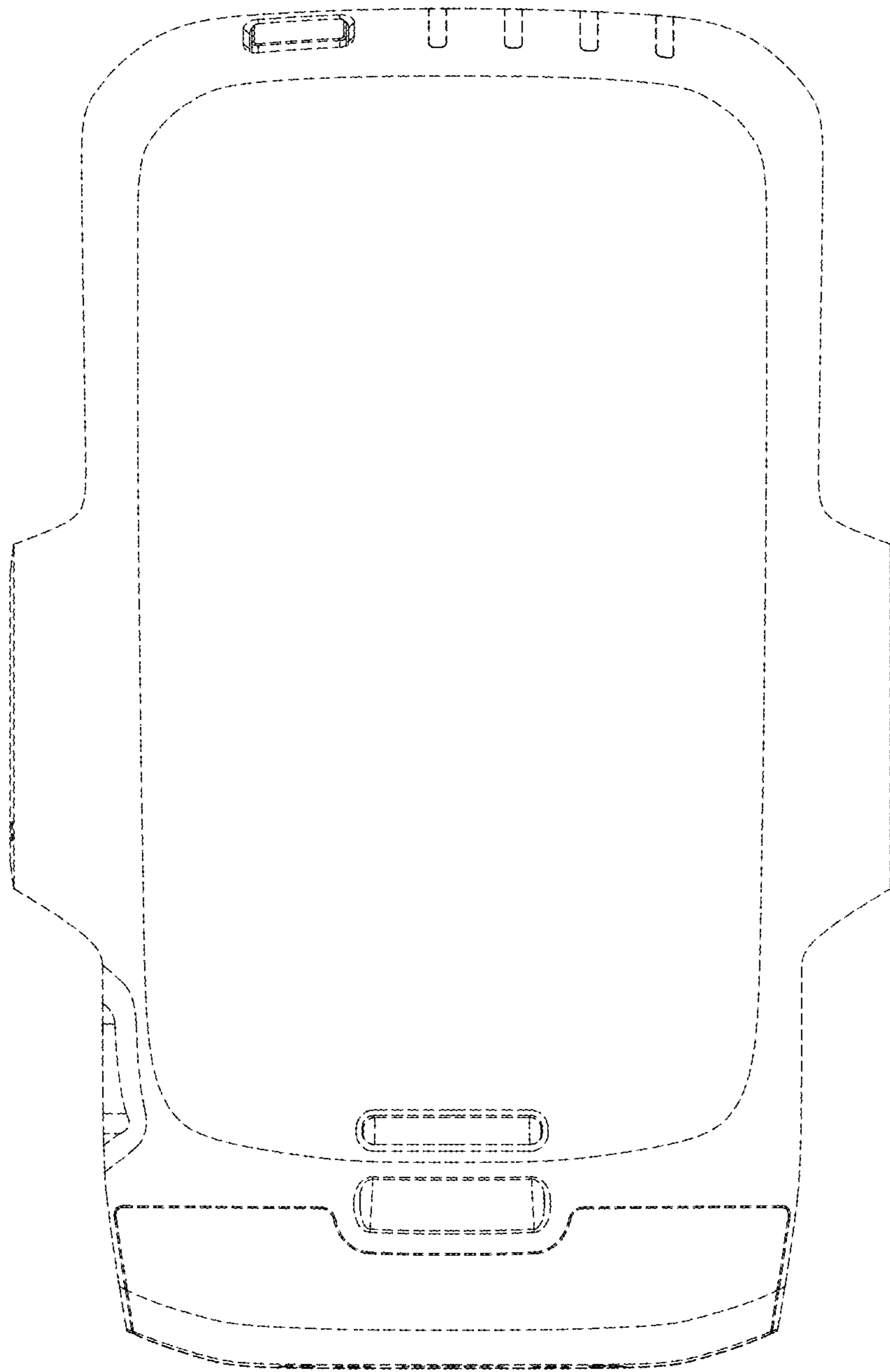


FIG. 3

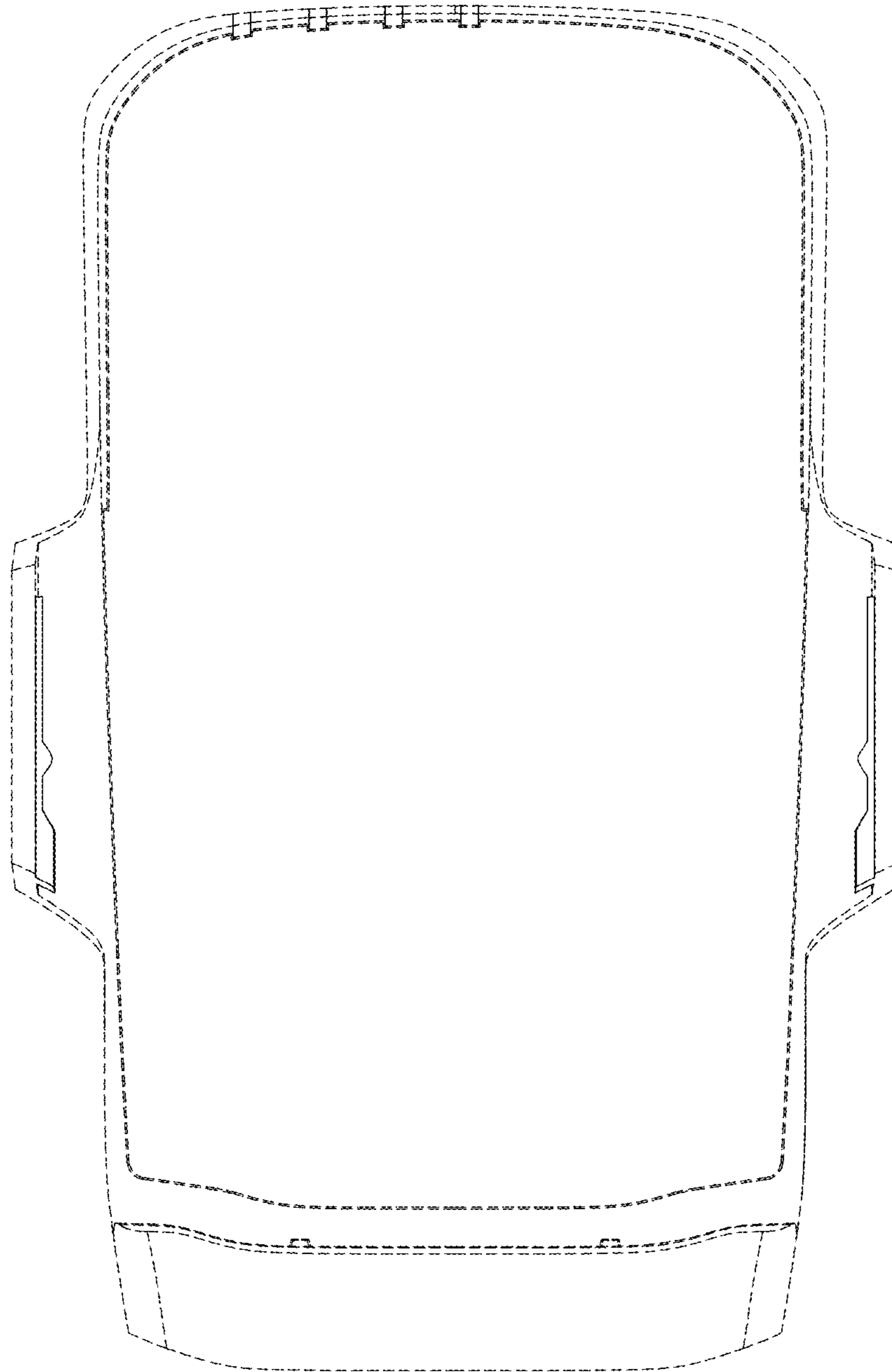


FIG. 4

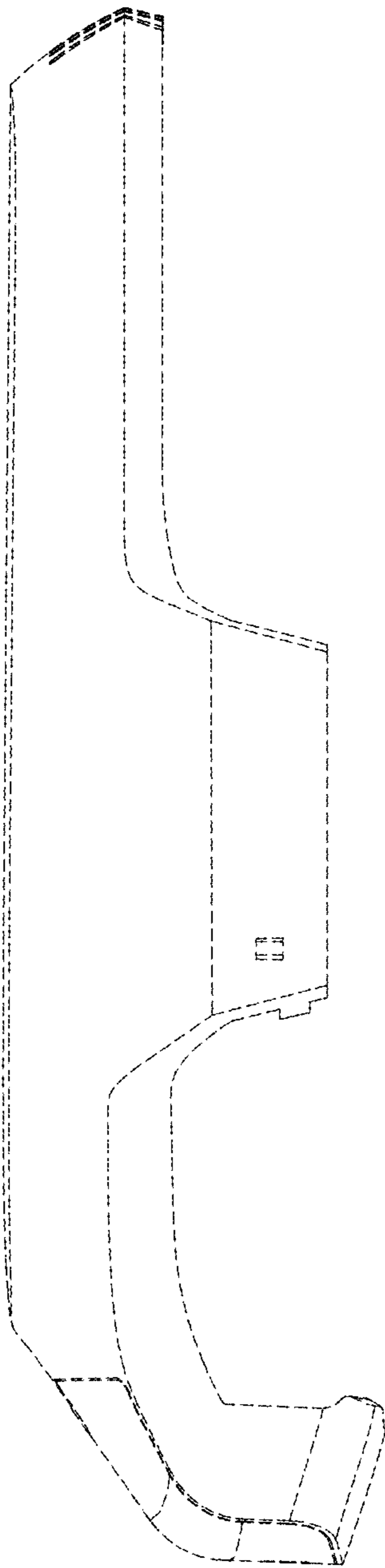


FIG. 5

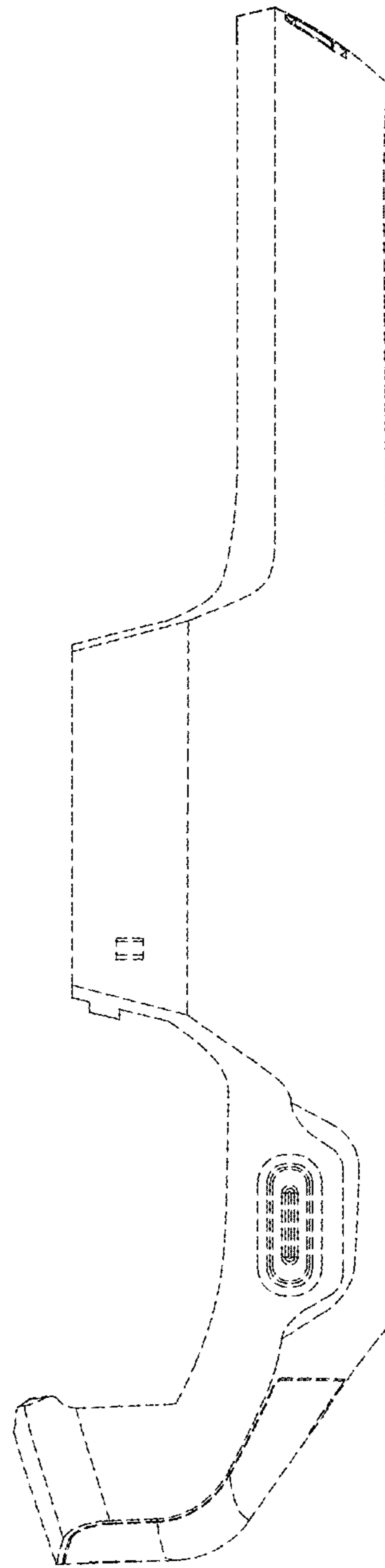


FIG. 6

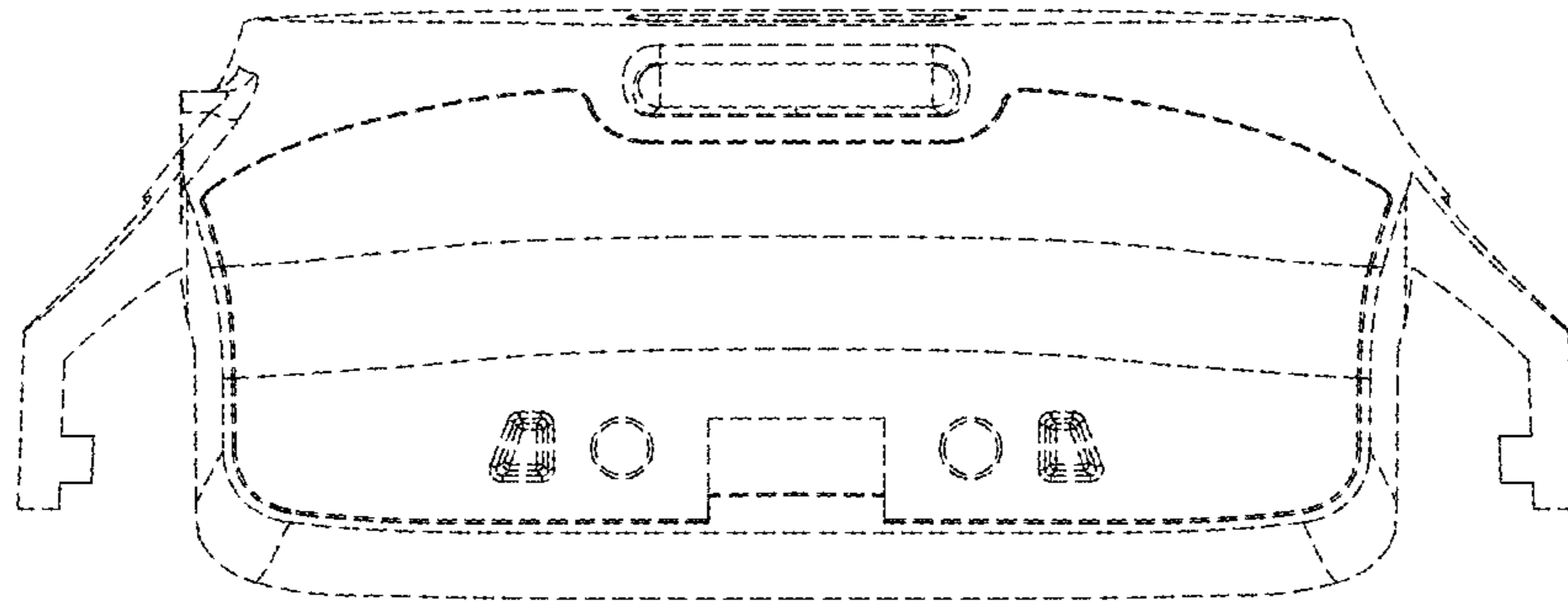


FIG. 7

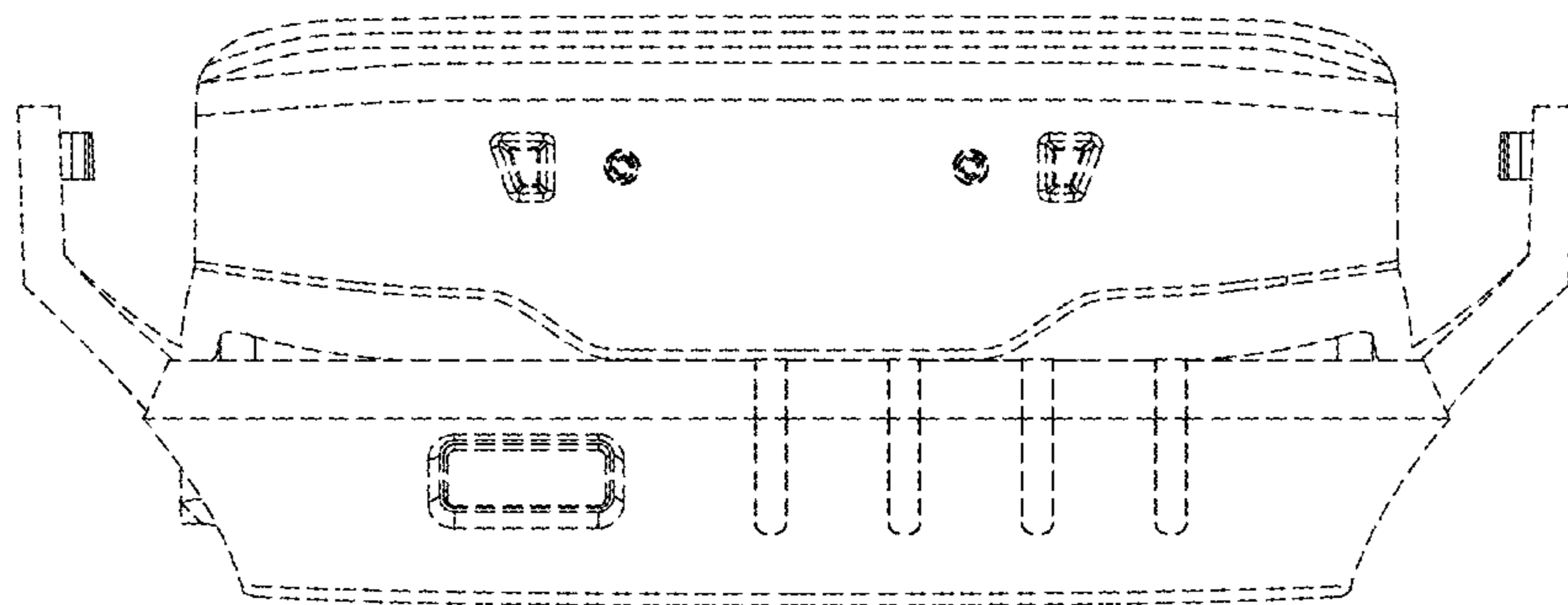


FIG. 8