



US00D894818S

(12) **United States Design Patent**  
**Dooling**

(10) **Patent No.:** **US D894,818 S**

(45) **Date of Patent:** **\*\* Sep. 1, 2020**

(54) **ALL TERRAIN VEHICLE (ATV) AND/OR  
UTILITY TASK/TERRAIN VEHICLE (UTV)  
BAG**

(71) Applicant: **Daniel J. Dooling**, Fenton, MI (US)

(72) Inventor: **Daniel J. Dooling**, Fenton, MI (US)

(73) Assignee: **LOAD LUGGER, LLC**, Fenton, MI  
(US)

(\*\*) Term: **15 Years**

(21) Appl. No.: **29/659,678**

(22) Filed: **Aug. 10, 2018**

(51) **LOC (12) Cl.** ..... **12-16**

(52) **U.S. Cl.**  
USPC ..... **D12/423**

(58) **Field of Classification Search**  
USPC ..... D12/604, 607, 608, 202, 177, 190, 213,  
D12/400, 401, 423; D3/303, 315, 319,  
(Continued)

(56) **References Cited**

U.S. PATENT DOCUMENTS

D55,852 S 7/1920 Fisher  
D138,364 S \* 7/1944 Graham ..... D3/289  
(Continued)

OTHER PUBLICATIONS

Arctic Cat ATV Front or Rear Rack Bag, AwesomeOffRoad.com,  
[online], [site visited Oct. 12, 2019]. <URL: <https://awesomeoffroad.com/products/arctic-cat-atv-front-or-rear-rack-bag>> (Year: 2019).\*  
(Continued)

*Primary Examiner* — T Chase Nelson  
*Assistant Examiner* — Jonathan J. Han

(74) *Attorney, Agent, or Firm* — North Star IP Law  
PLLC; Edmund P. Anderson

(57) **CLAIM**

The ornamental design for an all terrain vehicle (ATV) and/or utility task/terrain vehicle (UTV) bag, as shown and described.

**DESCRIPTION**

FIG. 1 is a first perspective view of the front and top sides of an embodiment of an all terrain vehicle (ATV) and/or utility task/terrain vehicle (UTV) bag showing my new design, including front attachment points and rear attachment straps, in a closed/zipped condition;

FIG. 2 is a second perspective view of the top and rear sides thereof;

FIG. 3 is a front view thereof;

FIG. 4 is a top view thereof;

FIG. 5 is a rear view thereof;

FIG. 6 is a bottom view thereof;

FIG. 7 is a right-side view thereof;

FIG. 8 is a left-side view thereof;

FIG. 9 is a third perspective view thereof identical to FIG. 1 except for a partially peripherally-extending zipper flap turned upwardly to expose a corresponding partially peripherally-extending double slider (head-to-head arrangement) zipper in a closed/zipped condition;

FIG. 10 is a fourth perspective view of the front and top sides thereof with the partially peripherally-extending zipper in an open/unzipped condition and the top side and bag in a partially open condition exposing an interior of the bag;

FIG. 11 is a fifth perspective view of the front and top sides thereof in the closed/zipped condition together with a perspective view of an ATV or UTV for use therewith shown in phantom illustrating an in-vehicle installed condition and position of the bag in a bed of the ATV or UTV with attachment devices attaching the attachment points to the bed and the straps attached to structure of the ATV or UTV;

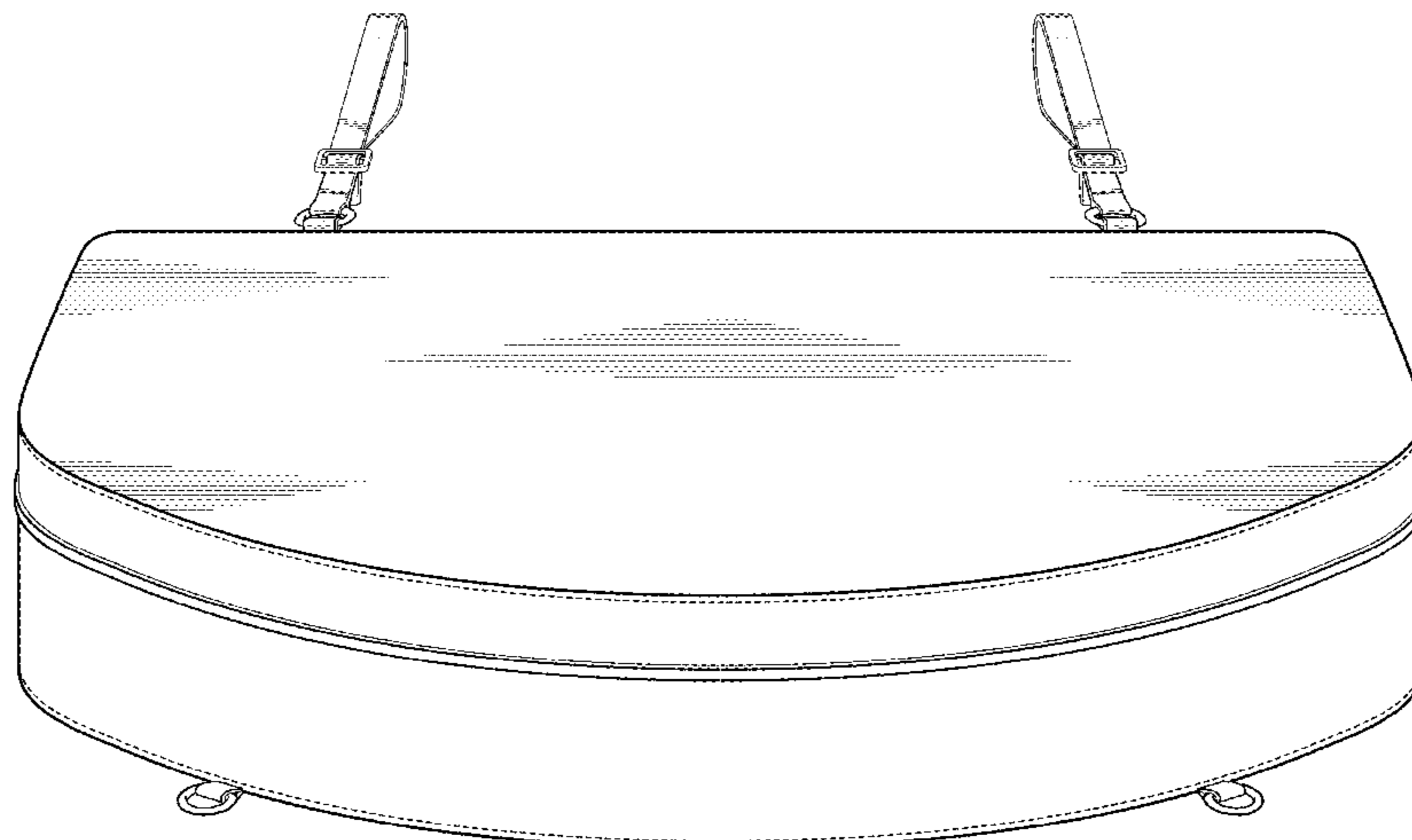
FIG. 12 is a right-side view thereof;

FIG. 13 is a left-side view thereof;

FIG. 14 is a bottom view of an alternate embodiment thereof that also includes rear end attachment points;

FIG. 15 is a right-side view of the embodiment of FIG. 14 with a partial view of the ATV or UTV of FIG. 11 for use therewith shown in phantom illustrating an in-vehicle installed condition and position of the bag in a bed of the

(Continued)



ATV or UTV with attachment devices attaching the attachment points to the bed and the straps attached to structure of the ATV or UTV; and,

FIG. 16 is a left-side view thereof.

The broken lines on the surface of the invention represent stitching, which forms no part of the claimed design. The dot-dot-dash broken lines used to depict the ATV/UTV environment in FIGS. 11-13 and FIGS. 15-16 form no part of the claimed design.

**1 Claim, 12 Drawing Sheets**

(58) **Field of Classification Search**

USPC ..... D3/243, 246, 262, 283, 226, 269, 279;  
D9/414

CPC ..... A45C 11/00; A45C 15/00; A45C 3/04;  
A45C 7/0077; A45C 11/24; A45C  
13/005; A45C 13/02; B62D 43/00; B62D  
43/005; B65D 85/06

See application file for complete search history.

(56) **References Cited**

U.S. PATENT DOCUMENTS

4,629,040 A 12/1986 Jones  
D308,320 S \* 6/1990 Raucci ..... 206/457  
D333,039 S \* 2/1993 Wells ..... D3/289  
D344,184 S \* 2/1994 Barker ..... 224/42.11  
D355,762 S \* 2/1995 Rao ..... D3/276  
D377,002 S \* 12/1996 Tran ..... D12/181  
D381,124 S \* 7/1997 Blachut ..... D28/78  
D400,706 S 11/1998 Seider  
D416,135 S \* 11/1999 Chen ..... D3/276  
D506,968 S \* 7/2005 Berardino ..... D12/410  
D527,521 S \* 9/2006 Sijmons ..... D3/276  
7,128,341 B1 10/2006 Dahl et al.  
D547,645 S 7/2007 Sainz

D626,380 S \* 11/2010 Harris ..... D7/553.1  
D639,049 S \* 6/2011 Lucido ..... D3/232  
D641,163 S \* 7/2011 Houston ..... D3/289  
D675,434 S \* 2/2013 Vernall ..... D3/294  
D679,907 S \* 4/2013 Kwon ..... D3/279  
D694,102 S \* 11/2013 Bellamah ..... D9/424  
D695,521 S \* 12/2013 Vernall ..... D3/299  
D696,859 S \* 1/2014 Lucido ..... D3/232  
D708,849 S 7/2014 Armstrong et al.  
D708,850 S 7/2014 Morine et al.  
D734,945 S \* 7/2015 Morrison ..... D3/282  
D764,165 S \* 8/2016 Lagerfeld ..... D3/246  
D774,766 S \* 12/2016 Lee ..... D3/315  
D779,208 S \* 2/2017 Parker ..... D3/301  
D781,110 S \* 3/2017 Jacobsen ..... D3/232  
D784,015 S \* 4/2017 Woodhouse ..... D3/276  
D787,179 S \* 5/2017 Dumas ..... D3/243  
D819,545 S \* 6/2018 O'Connor ..... D12/416  
D826,558 S \* 8/2018 Siegel ..... D3/294  
D857,390 S \* 8/2019 Kwon ..... D3/301  
D861,254 S 9/2019 Min  
D861,562 S \* 10/2019 Dooling ..... A45C 5/08  
D12/202

2007/0241156 A1 10/2007 Godshaw et al.  
2007/0241157 A1 10/2007 Godshaw et al.  
2016/0362065 A1 12/2016 Dooling et al.  
2017/0174141 A1 6/2017 Jhant et al.  
2019/0298019 A1\* 10/2019 Dooling ..... A45C 5/08

OTHER PUBLICATIONS

Arctic Cat Windshield Bag P/N 7639-691, Amazon.com, [online], [site visited Oct. 12, 2019]. <URL: <https://www.amazon.com/Arctic-Cat-Windshield-Bag-7639-691/dp/B076VNKGFH>> (Year: 2019).\*

Front Zipperless Rack Bag, FrontRangePowerSports.com, [online], [site visited Oct. 12, 2019]. <URL: <https://shop.frontrangepowersports.com/arctic-cat-front-zipperless-rack-bag-detail.htm?productId=23118936>> (Year: 2019).\*

Cabela's TAC System ATV Front Gear Bag, Cabelas.ca, [online], [site visited Oct. 12, 2019]. <URL: <https://www.cabelas.ca/product/65645/cabelas-tac-system-atv-front-gear-bag>> (Year: 2019).\*

\* cited by examiner

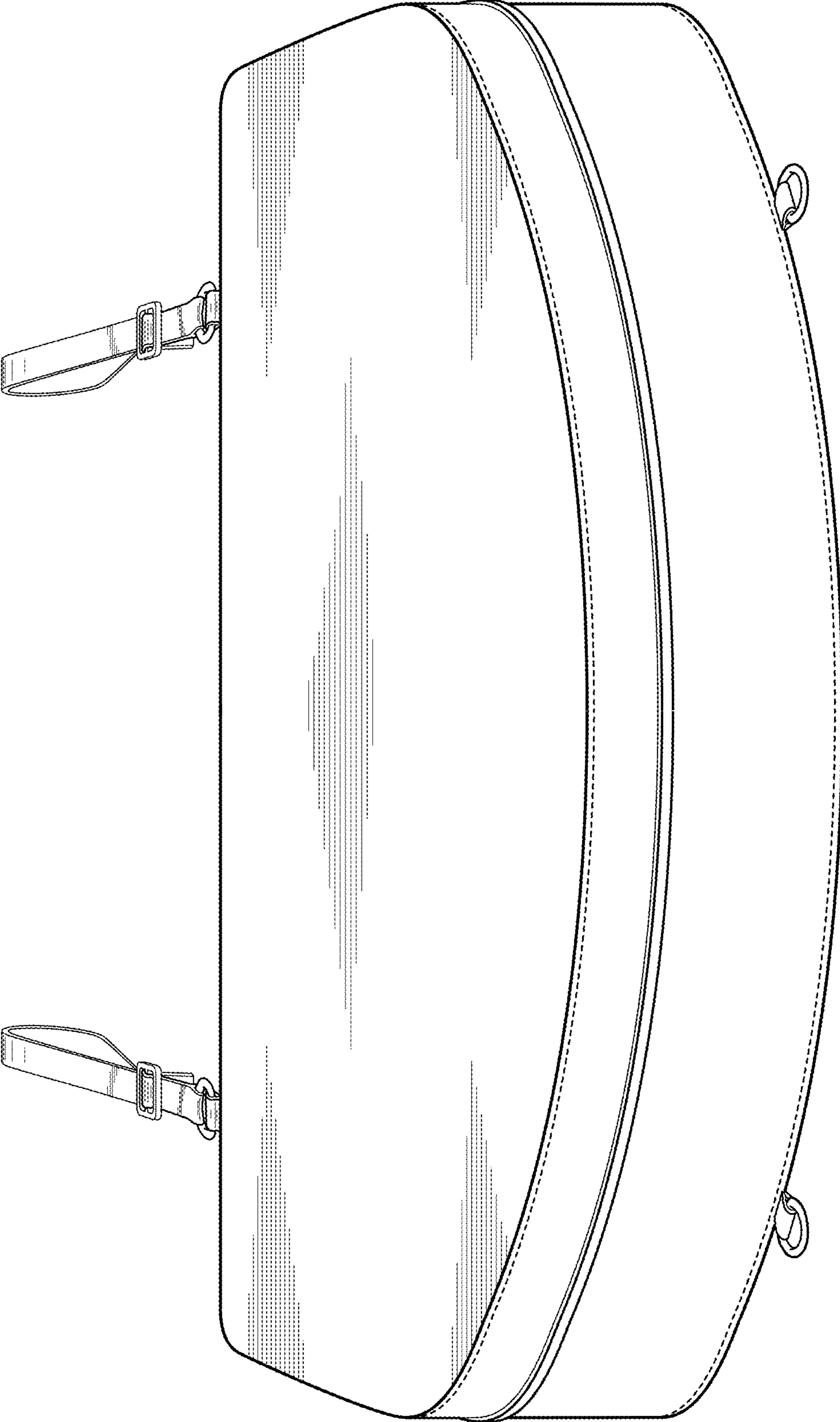


FIG. 1



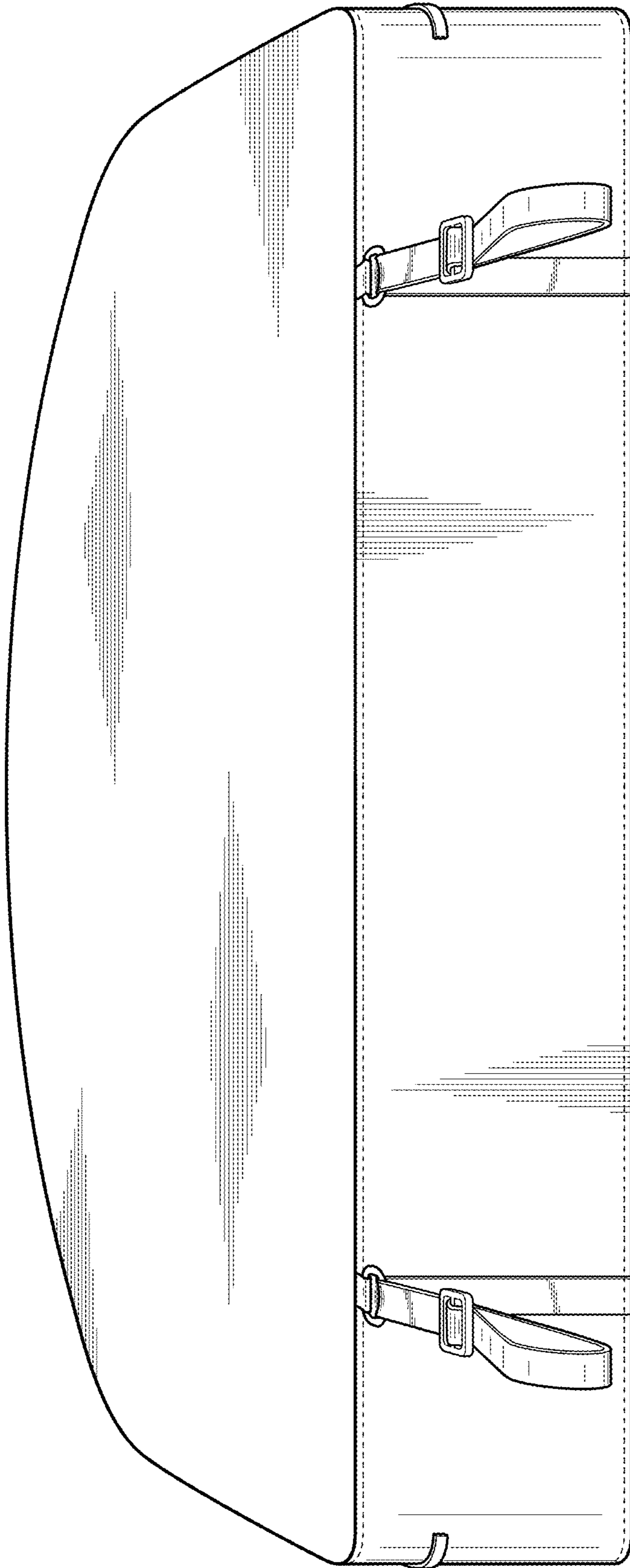


FIG. 2

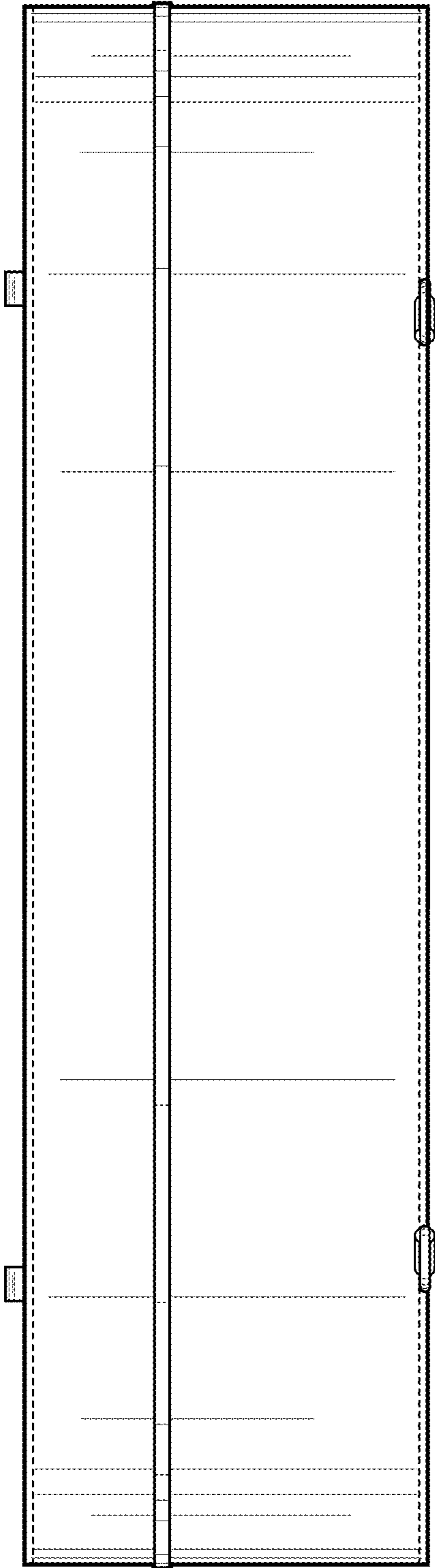


FIG. 3

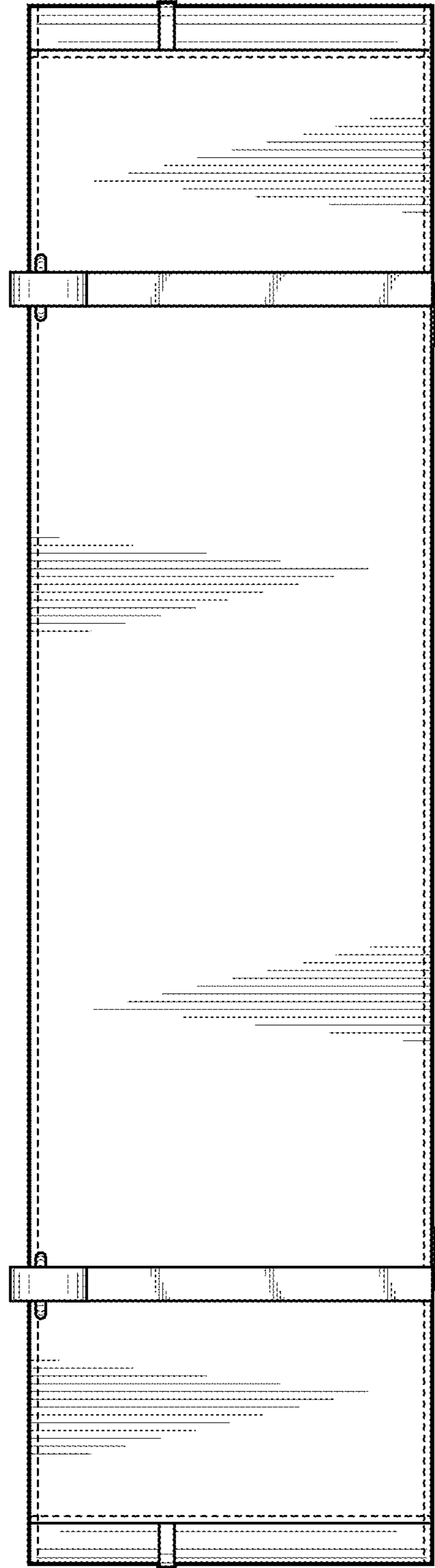


FIG. 5

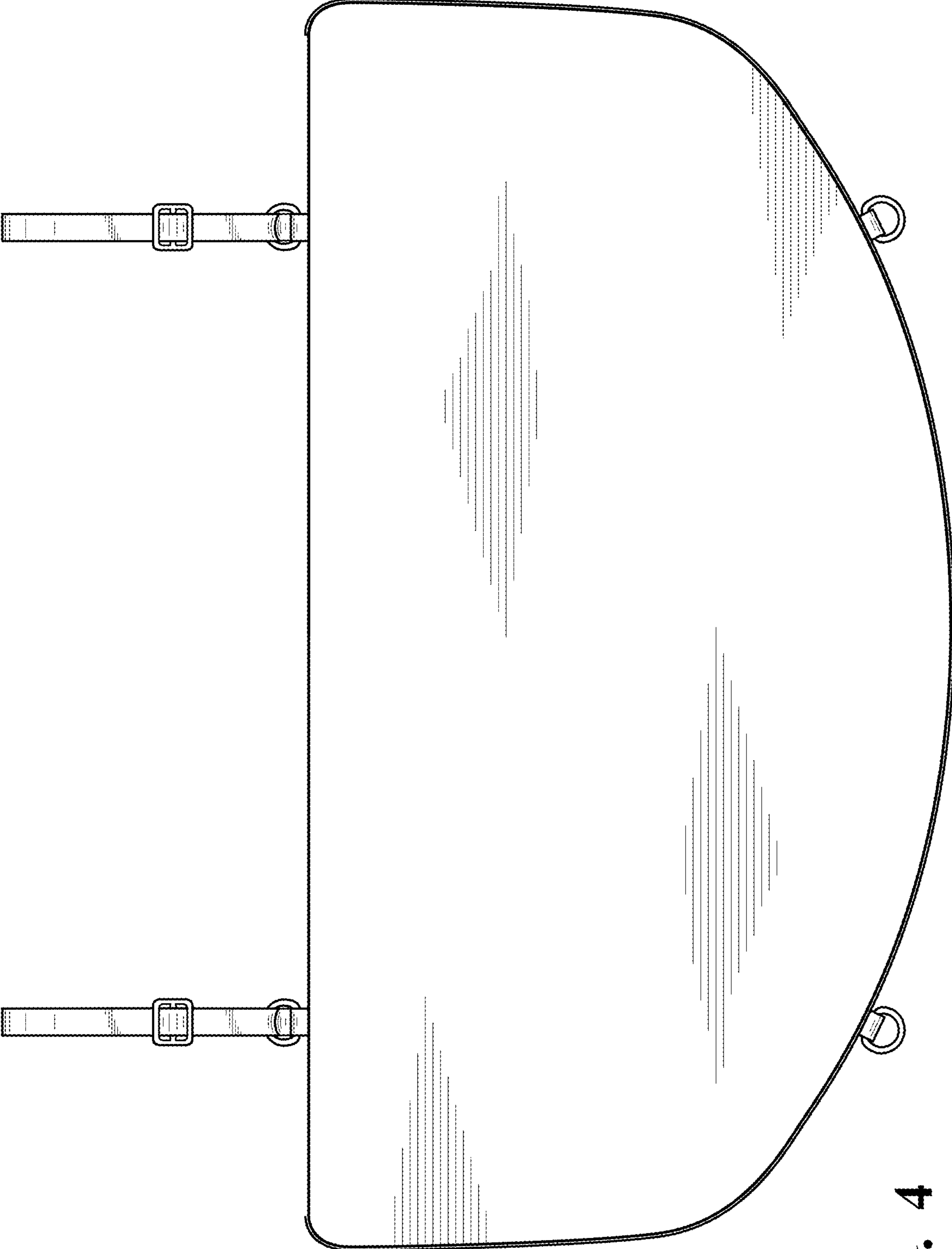


FIG. 4

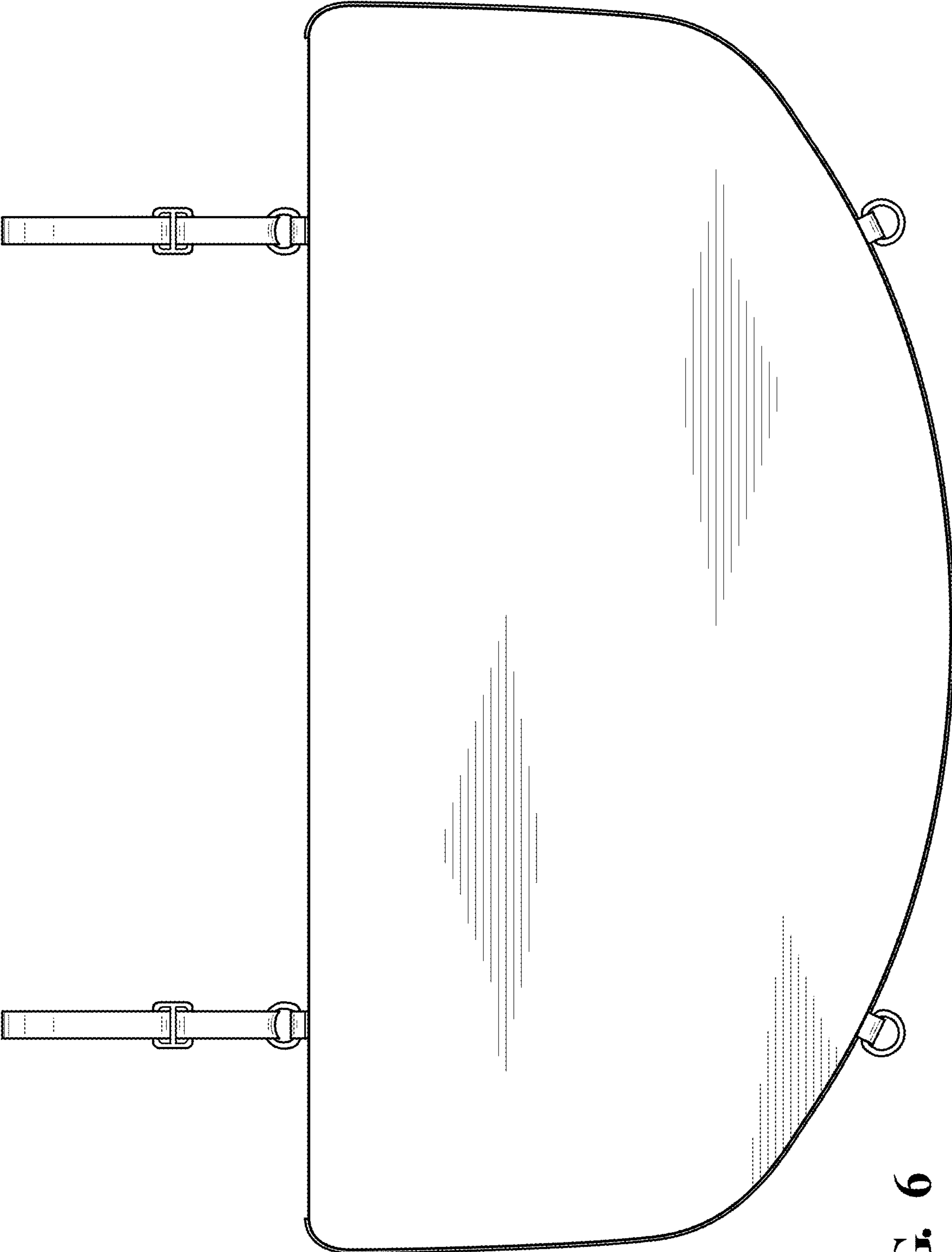


FIG. 6

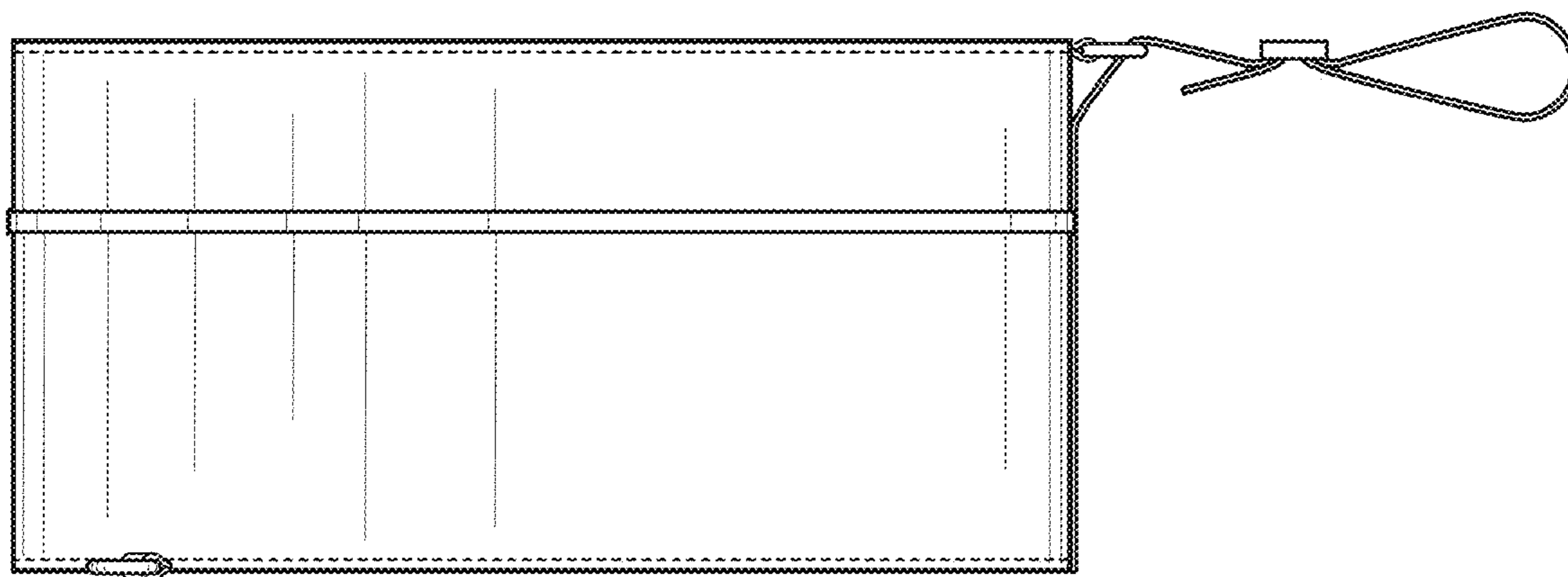


FIG. 7

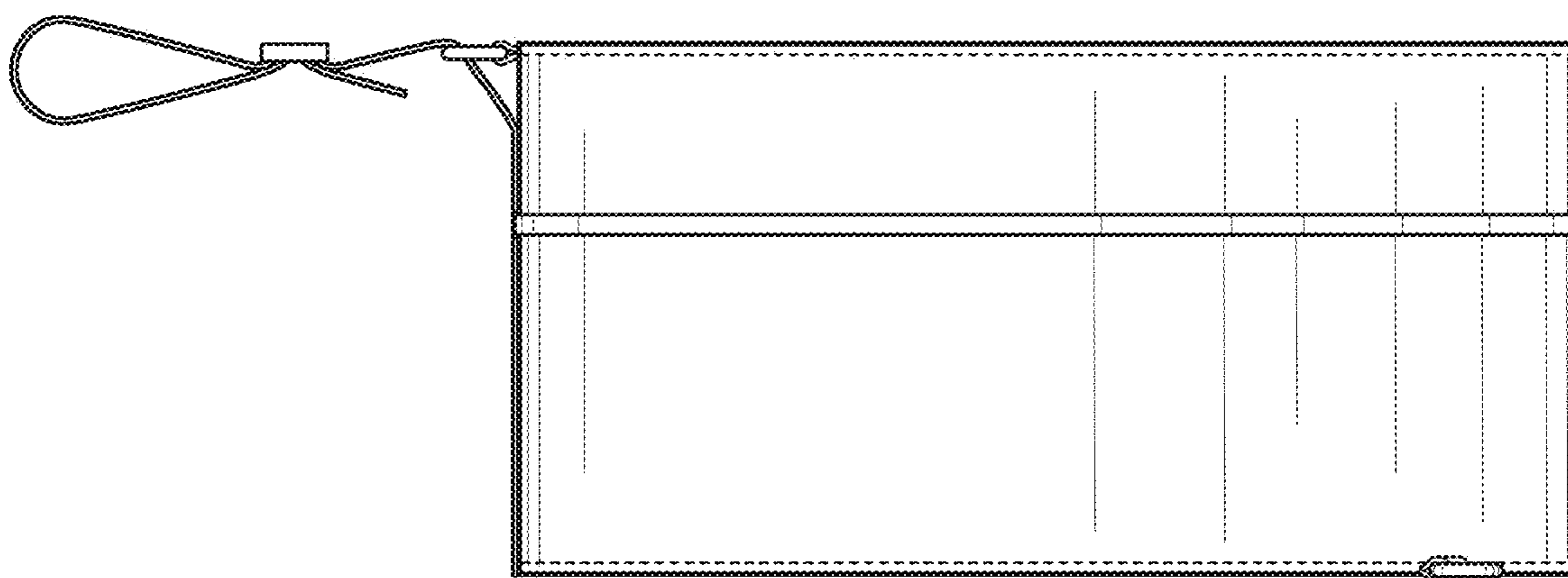


FIG. 8



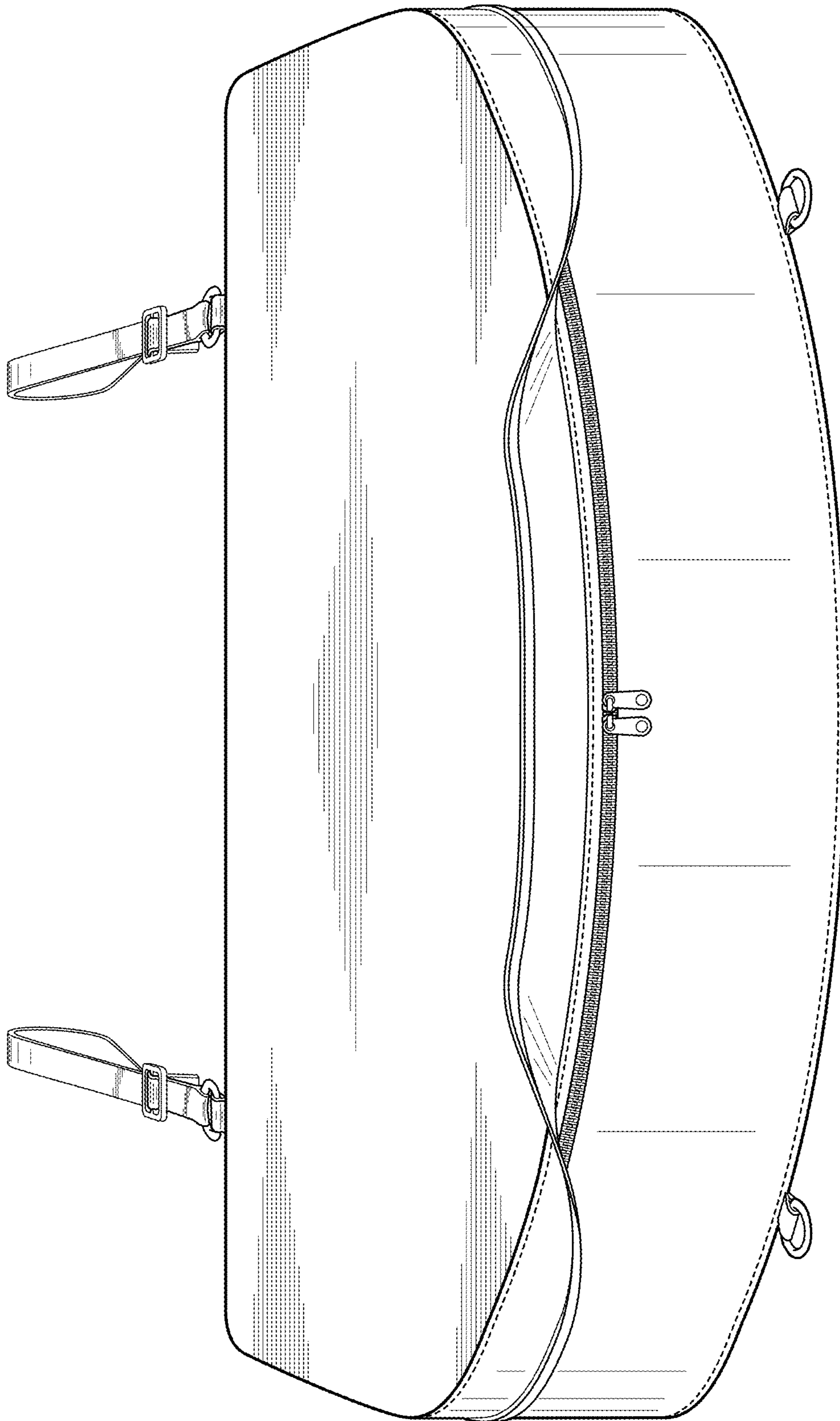
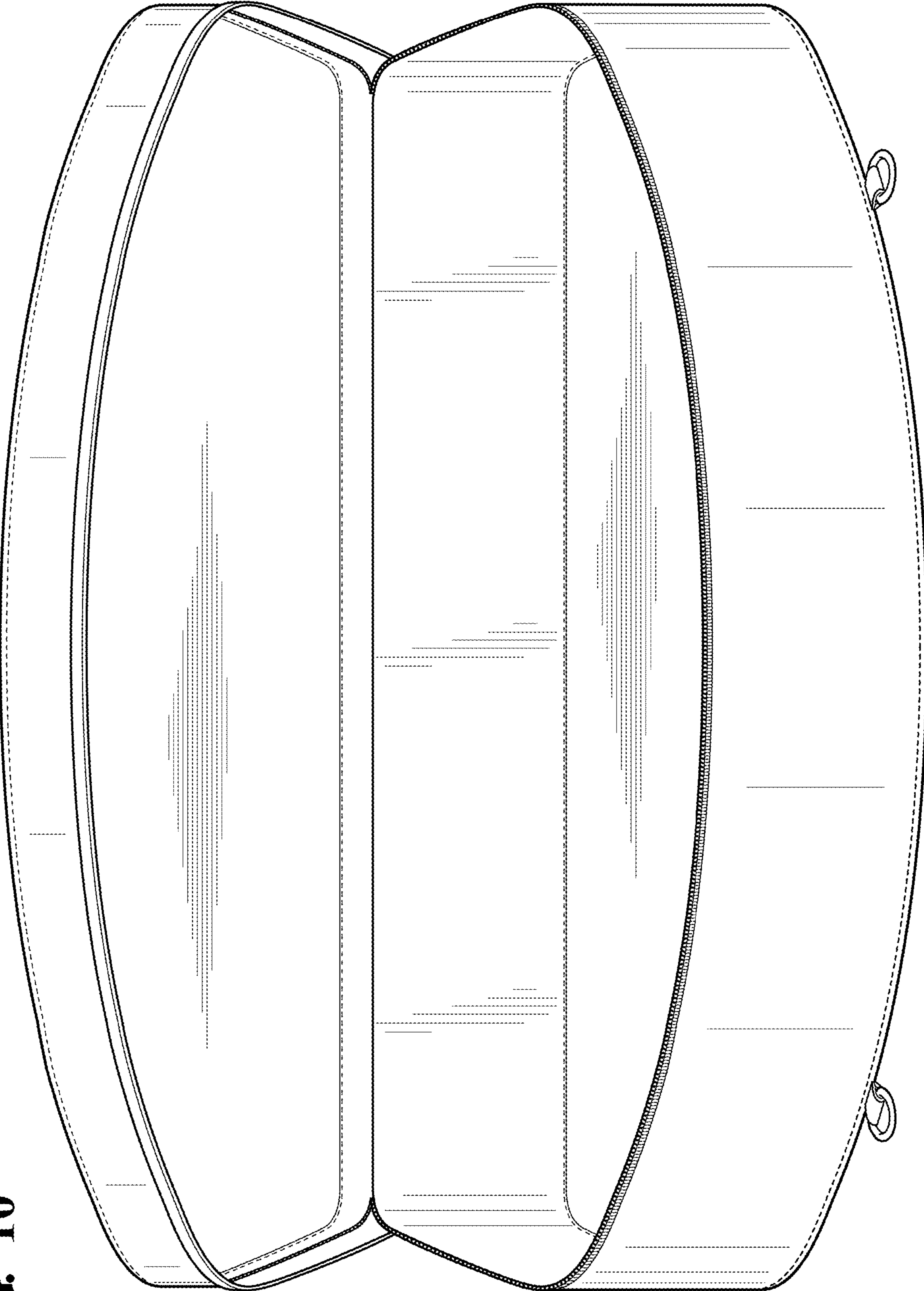


FIG. 9

FIG. 10



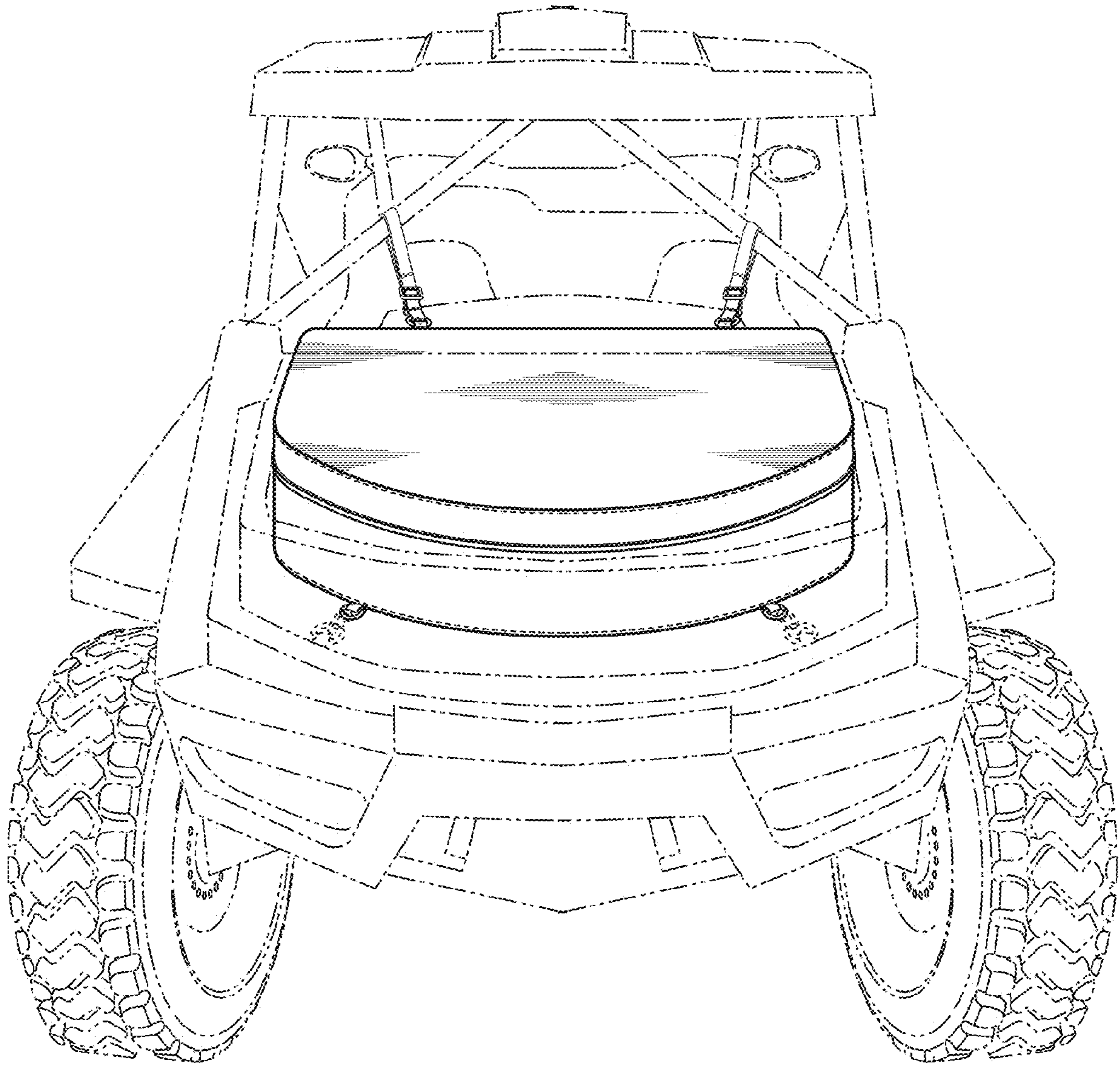


FIG. 11

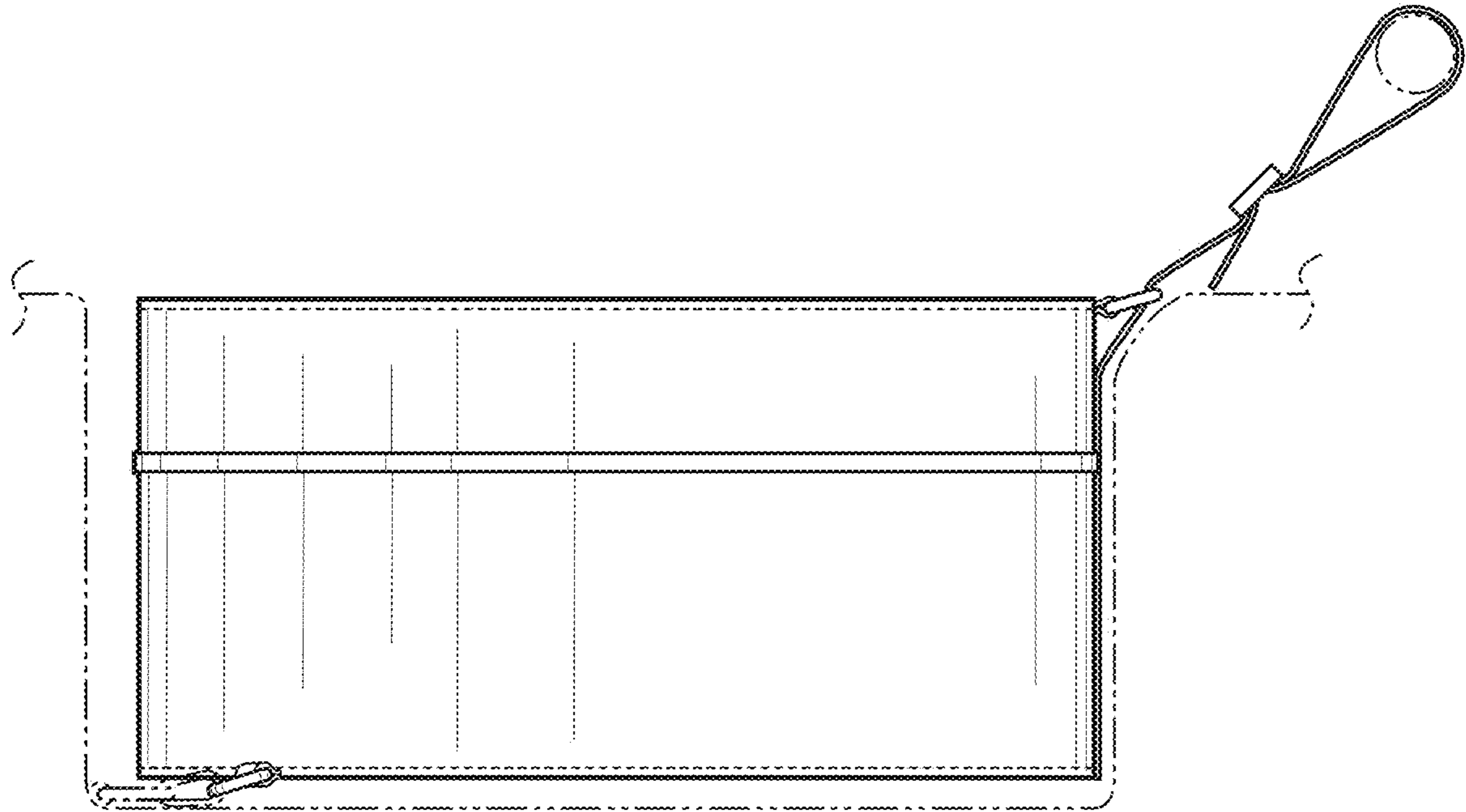


FIG. 12

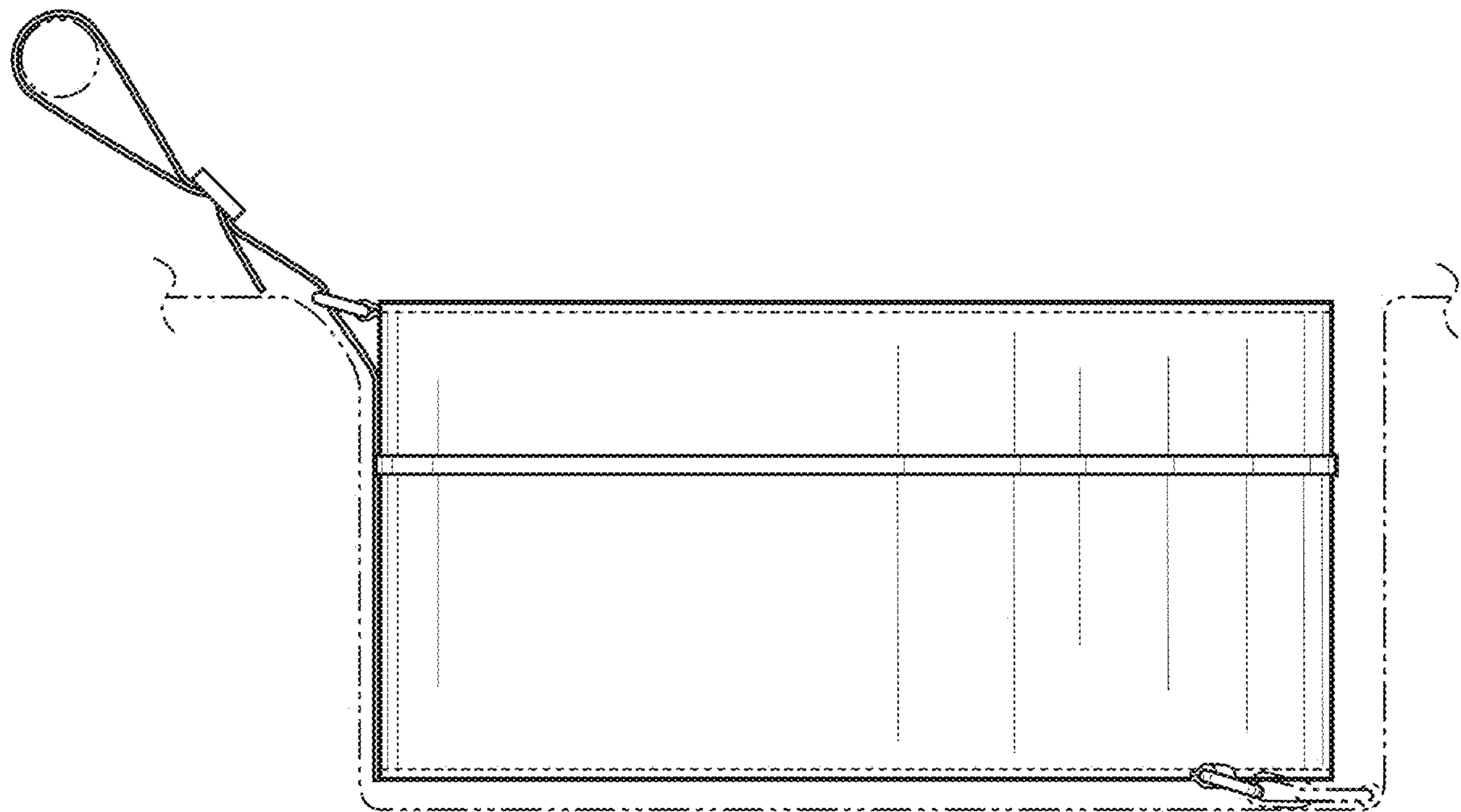


FIG. 13



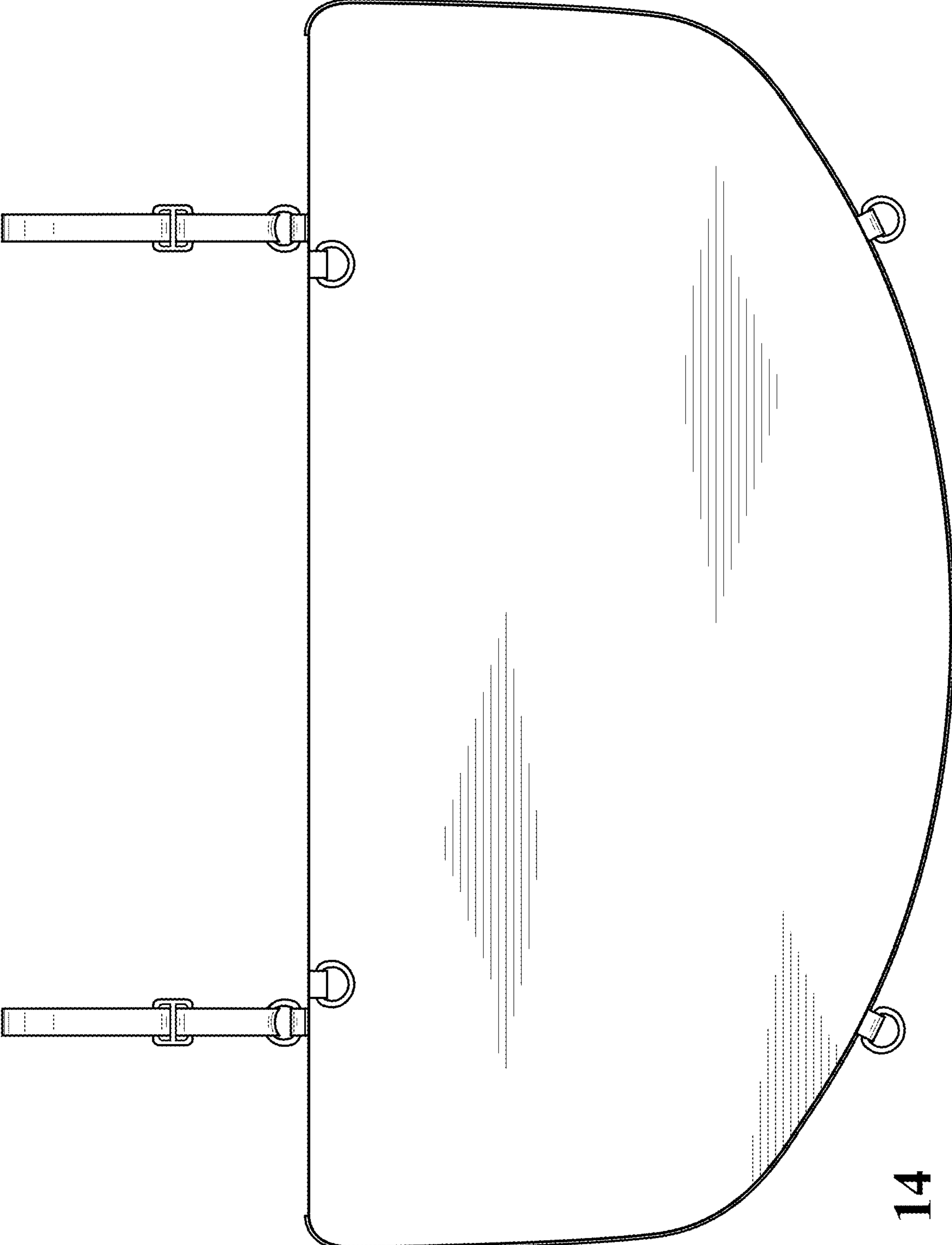


FIG. 14

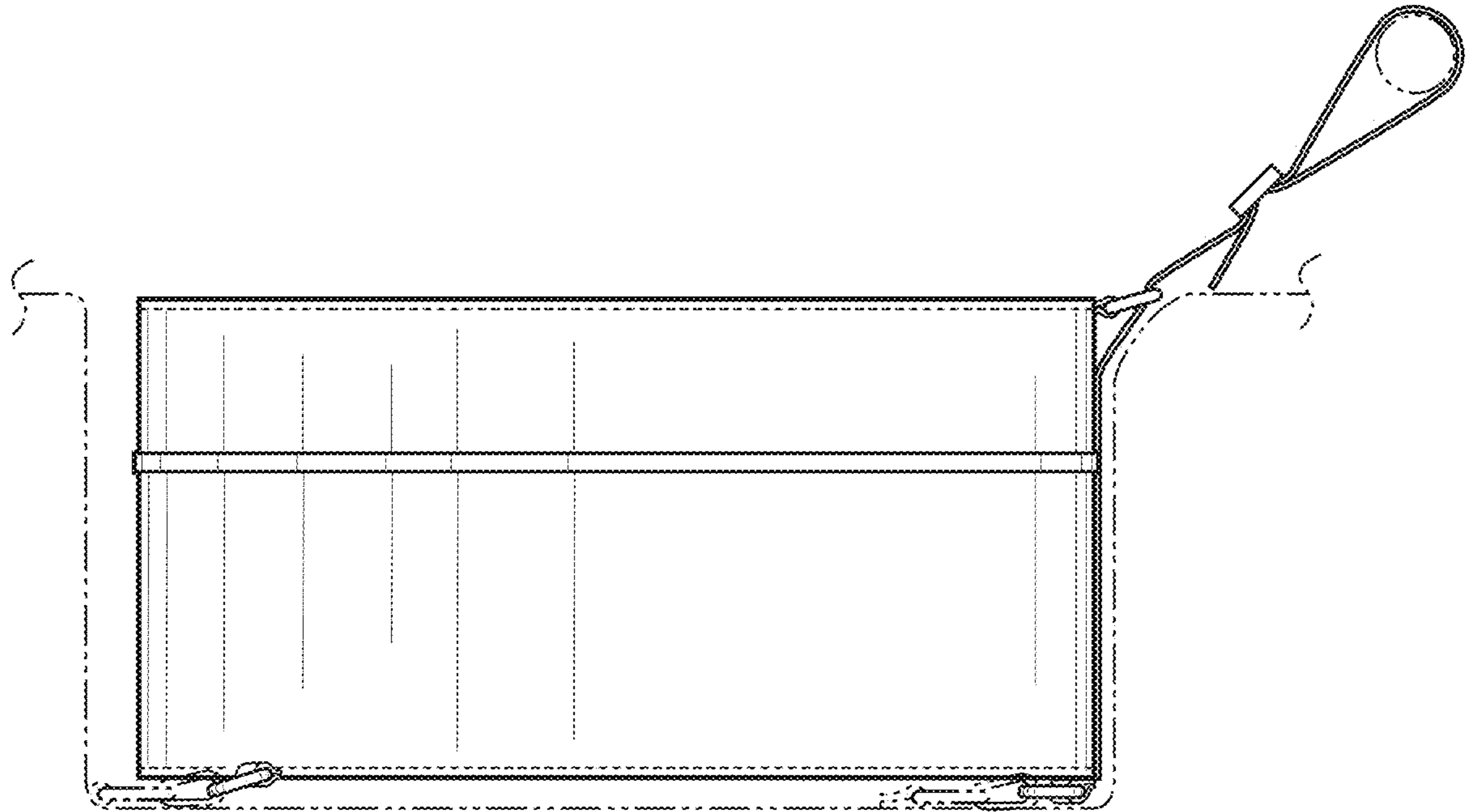


FIG. 15

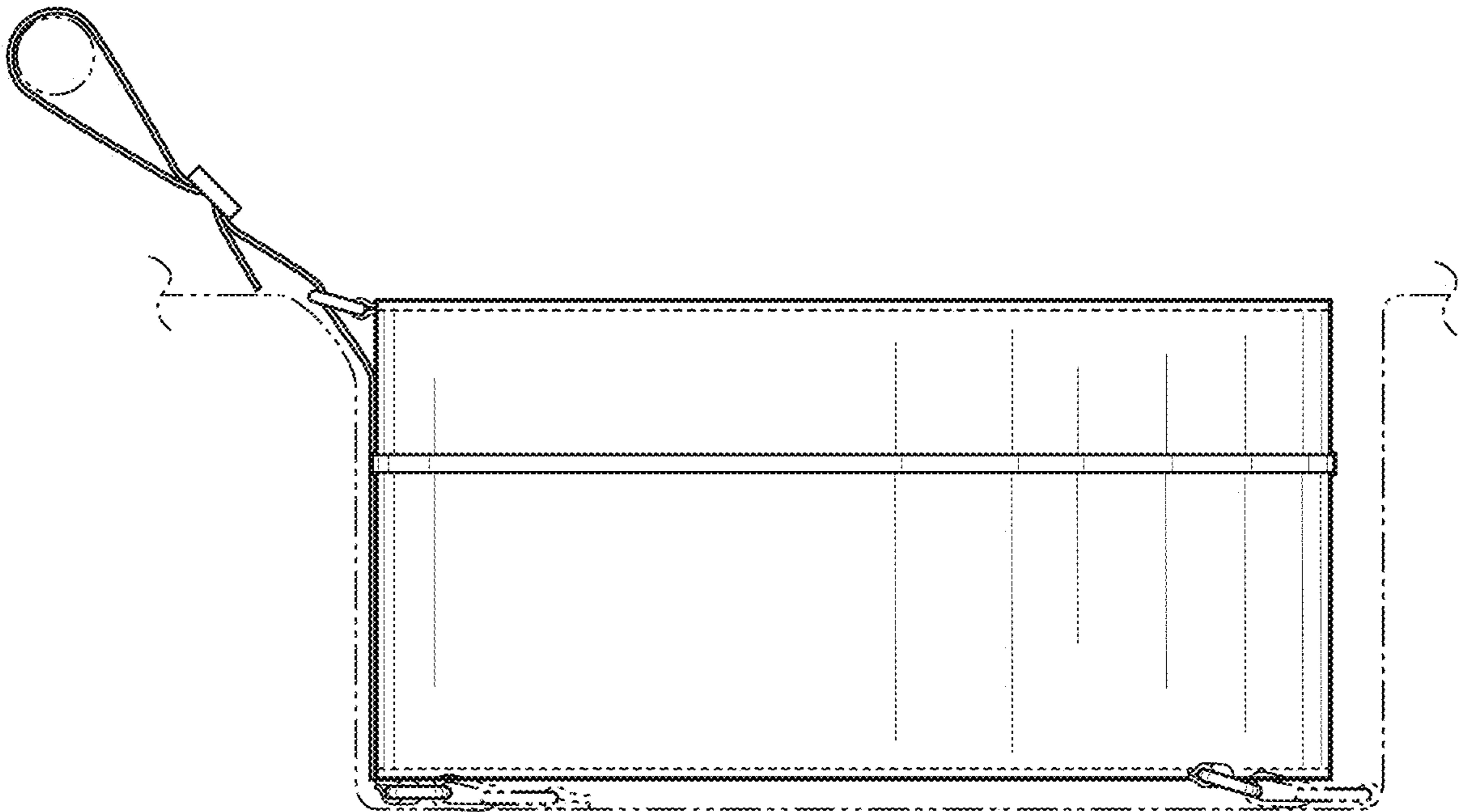


FIG. 16