



US00D894817S

(12) **United States Design Patent**
Dooling

(10) **Patent No.:** **US D894,817 S**

(45) **Date of Patent:** **** Sep. 1, 2020**

(54) **ALL TERRAIN VEHICLE (ATV) AND/OR
UTILITY TASK/TERRAIN VEHICLE (UTV)
BAG**

(71) Applicant: **Daniel J. Dooling**, Fenton, MI (US)

(72) Inventor: **Daniel J. Dooling**, Fenton, MI (US)

(**) Term: **15 Years**

(21) Appl. No.: **29/659,672**

(22) Filed: **Aug. 10, 2018**

(51) **LOC (12) Cl.** **12-16**

(52) **U.S. Cl.**
USPC **D12/423**

(58) **Field of Classification Search**

USPC D12/604, 607, 608, 202, 177, 190, 213,
D12/400, 401, 423; D3/303, 315, 319,

(Continued)

(56) **References Cited**

U.S. PATENT DOCUMENTS

D55,852 S * 7/1920 Fisher D3/243
D138,364 S 7/1944 Graham

(Continued)

OTHER PUBLICATIONS

Arctic Cat ATV Front or Rear Rack Bag, AwesomeOffRoad.com,
[online], [site visited Oct. 12, 2019]. <URL: <https://awesomeoffroad.com/products/arctic-cat-atv-front-or-rear-rack-bag>> (Year: 2019).*

(Continued)

Primary Examiner — T Chase Nelson

Assistant Examiner — Jonathan J. Han

(74) *Attorney, Agent, or Firm* — North Star IP Law
PLLC; Edmund P. Anderson

(57) **CLAIM**

The ornamental design for an all terrain vehicle (ATV) and/or utility task/terrain vehicle (UTV) bag, as shown and described.

DESCRIPTION

FIG. 1 is a first front and top perspective view of an embodiment of an all terrain vehicle (ATV) and/or utility task/terrain vehicle (UTV) bag with a partially peripherally-extending double slider (head-to-head arrangement) zipper showing my new design with the zipper and bag in a closed/zipped condition and illustrating the left, right, front and top sides thereof with attachment straps illustrated in phantom;

FIG. 2 is a rear and bottom perspective view thereof illustrating the left, right, rear, and bottom sides thereof;

FIG. 3 is a front view thereof illustrating the left, right, and front sides thereof;

FIG. 4 is a rear view thereof illustrating the left, right, and rear sides thereof;

FIG. 5 is a top view thereof illustrating the top side thereof;

FIG. 6 is a bottom view thereof illustrating the bottom side thereof that includes a plurality of attachment point openings disposed in the bottom side;

FIG. 7 is a left side view thereof illustrating the left and front sides thereof;

FIG. 8 is a right side view thereof illustrating the right and front sides thereof;

FIG. 9 is a second front and top perspective view thereof with the partially peripherally-extending zipper and bag in an open/unzipped condition and the bag in an open position exposing an interior of the bag and the plurality of attachment point openings disposed in the bottom side of the bag;

FIG. 10 is a second top view thereof with the partially peripherally-extending zipper in an open/unzipped condition and the bag in an open position exposing an interior of the bag and the plurality of attachment point openings disposed in the bottom side of the bag;

FIG. 11 is a third front and top perspective view thereof in the closed/zipped condition together with a perspective view of an ATV or UTV for use therewith shown in phantom illustrating an in-vehicle condition and position of the bag in a rear bed of the ATV or UTV;

FIG. 12 is a top-view thereof in the open/unzipped condition disposed in the bed prior to optional attachment of the bag; and,

(Continued)

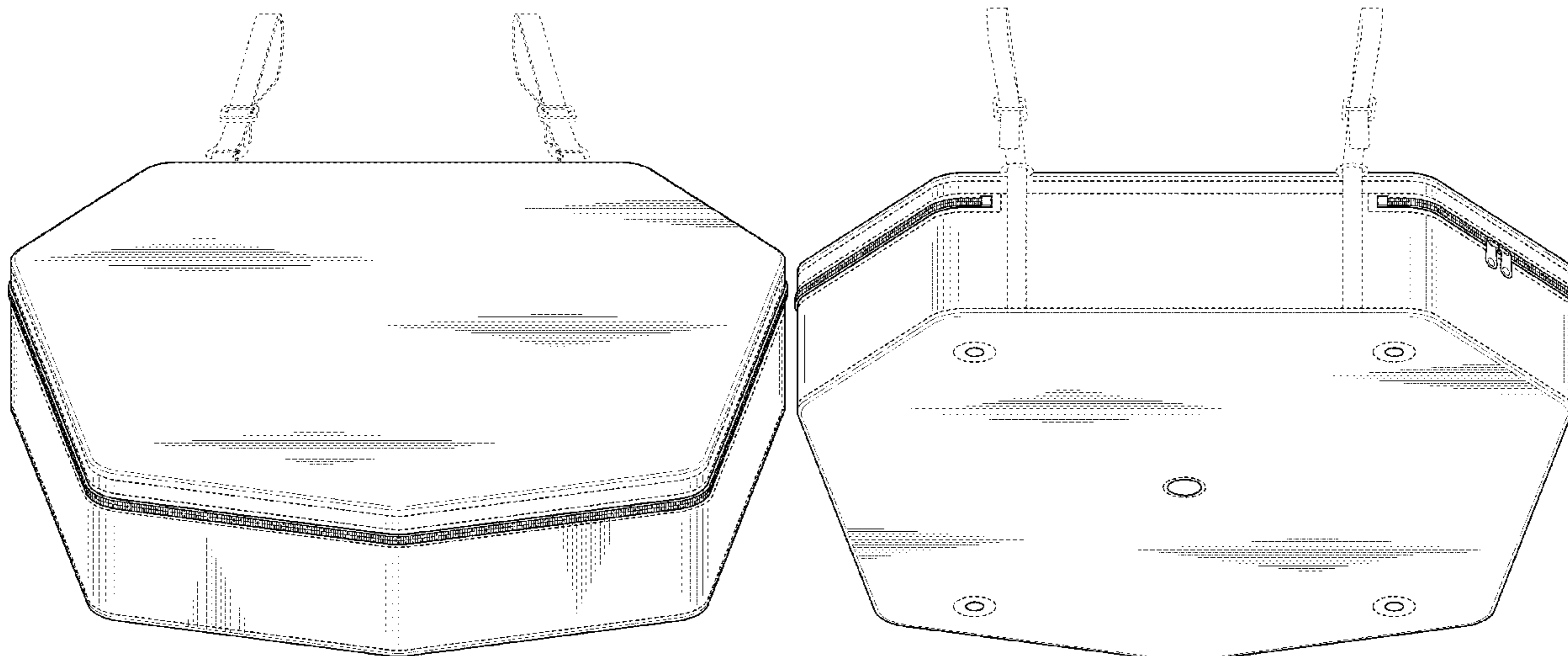


FIG. 13 is a second top-view thereof in the open/unzipped condition disposed in the bed after attachment of the bag to the bed with attachments illustrated in phantom.

The broken lines on the surface of the invention represent stitching, which forms no part of the claimed design. The broken lines used to depict the strap and buckle features form no part of the claimed design. The dot-dot-dash broken lines used to depict the ATV/UTV environment in FIGS. 11-13 form no part of the claimed design.

1 Claim, 11 Drawing Sheets

(58) Field of Classification Search

USPC D3/243, 246, 262, 283, 226, 269, 279;
D9/414
CPC A45C 11/00; A45C 15/00; A45C 3/04;
A45C 7/0077; A45C 11/24; A45C
13/005; A45C 13/02; B62D 43/00; B62D
43/005; B65D 85/06

See application file for complete search history.

(56) References Cited

U.S. PATENT DOCUMENTS

4,629,040 A * 12/1986 Jones A45C 3/001
190/102
D308,320 S * 6/1990 Raucci 206/457
D333,039 S * 2/1993 Wells D3/289
D344,184 S * 2/1994 Barker 224/42.11
D355,762 S * 2/1995 Rao D3/276
D377,002 S * 12/1996 Tran D12/181
D381,124 S 7/1997 Blachut
D400,706 S * 11/1998 Seider D3/254
D416,135 S * 11/1999 Chen D3/276
D506,968 S 7/2005 Berardino et al.
D527,521 S * 9/2006 Sijmons D3/276
7,128,341 B1 10/2006 Dahl et al.
D547,645 S * 7/2007 Sainz D9/420

D626,380 S 11/2010 Harris
D639,049 S * 6/2011 Lucido D3/232
D641,163 S * 7/2011 Houston D3/289
D675,434 S * 2/2013 Vernall D3/294
D679,907 S * 4/2013 Kwon D3/279
D694,102 S * 11/2013 Bellamah D9/424
D695,521 S 12/2013 Vernall et al.
D696,859 S * 1/2014 Lucido D3/232
D708,849 S * 7/2014 Armstrong D3/276
D708,850 S * 7/2014 Morine D3/294
D734,945 S * 7/2015 Morrison D3/282
D764,165 S 8/2016 Lagerfeld
D774,766 S * 12/2016 Lee D3/315
D779,208 S * 2/2017 Parker D3/301
D781,110 S * 3/2017 Jacobsen D3/276
D784,015 S * 4/2017 Woodhouse D3/276
D787,179 S * 5/2017 Dumas D3/243
D819,545 S * 6/2018 O'Connor D12/416
D826,558 S * 8/2018 Siegel D3/294
D857,390 S * 8/2019 Kwon D3/301
D861,254 S * 9/2019 Min D28/78
D861,562 S * 10/2019 Dooling A45C 5/08
D12/202

2007/0241156 A1 10/2007 Godshaw et al.
2007/0241157 A1 10/2007 Godshaw et al.
2016/0362065 A1 12/2016 Dooling et al.
2017/0174141 A1 6/2017 Jhant et al.
2019/0298019 A1 * 10/2019 Dooling A45C 5/08

OTHER PUBLICATIONS

Arctic Cat Windshield Bag P/N 7639-691, Amazon.com, [online], [site visited Oct. 12, 2019]. <URL: <https://www.amazon.com/Arctic-Cat-Windshield-Bag-7639-691/dp/B076VNKGFH>> (Year: 2019).*

Front Zipperless Rack Bag, FrontRangePowerSports.com, [online], [site visited Oct. 12, 2019]. <URL: <https://shop.frontrangepowersports.com/arctic-cat-front-zipperless-rack-bag-detail.htm?productId=23118936>> (Year: 2019).*

Cabela's TAC System ATV Front Gear Bag, Cabelas.ca, [online], [site visited Oct. 12, 2019]. <URL: <https://www.cabelas.ca/product/65645/cabelas-tac-system-atv-front-gear-bag>> (Year: 2019).*

* cited by examiner

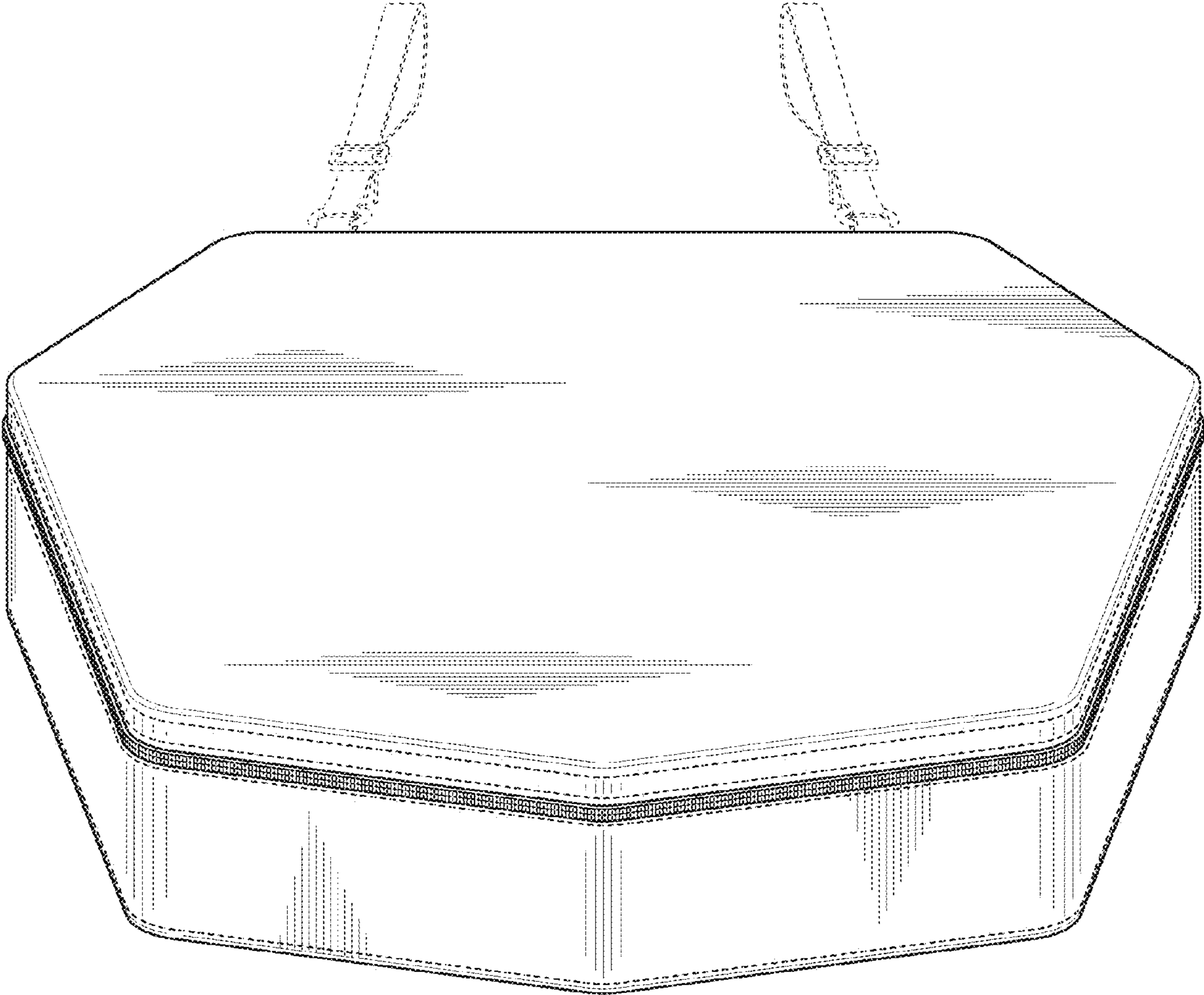


FIG. 1

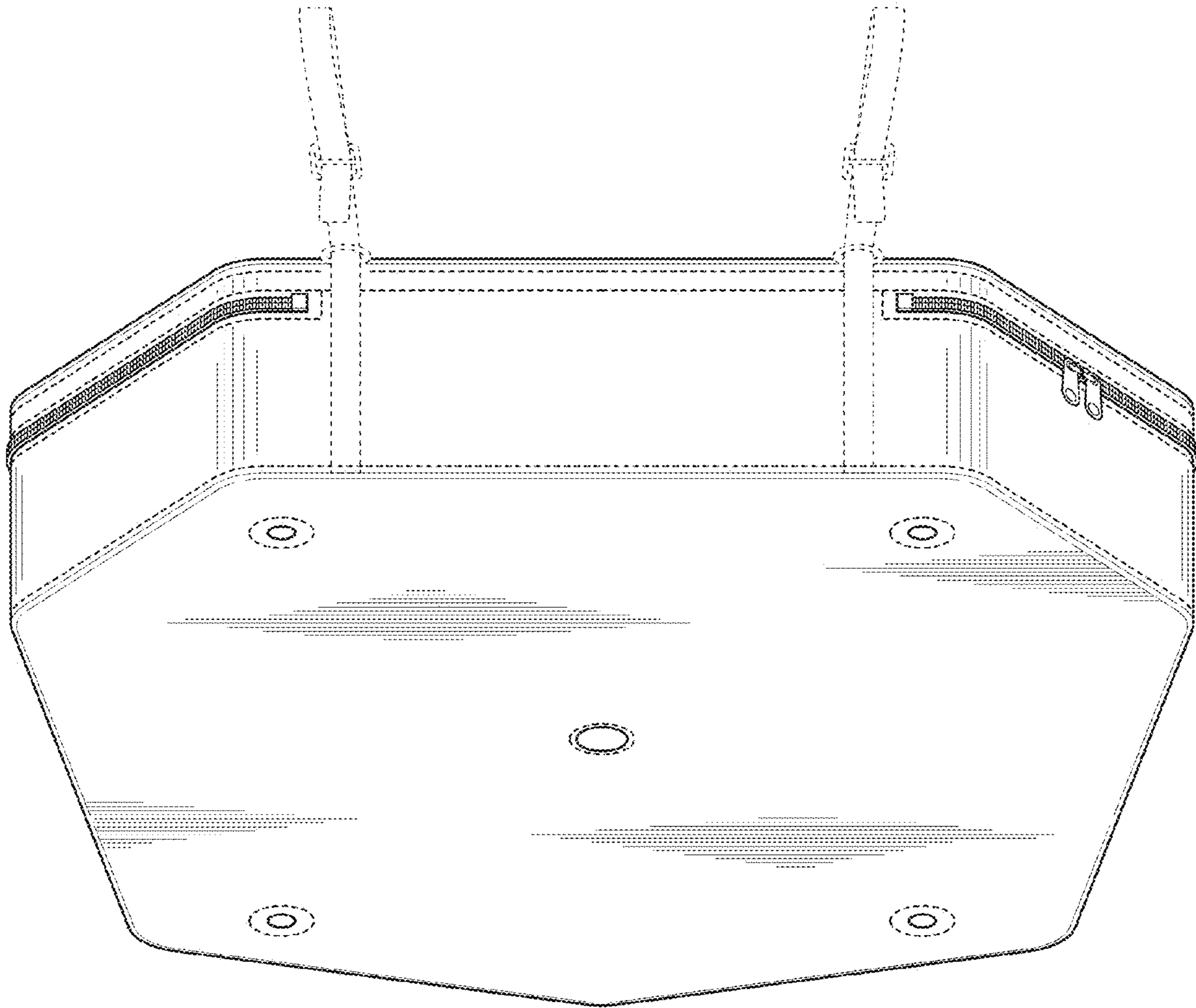


FIG. 2

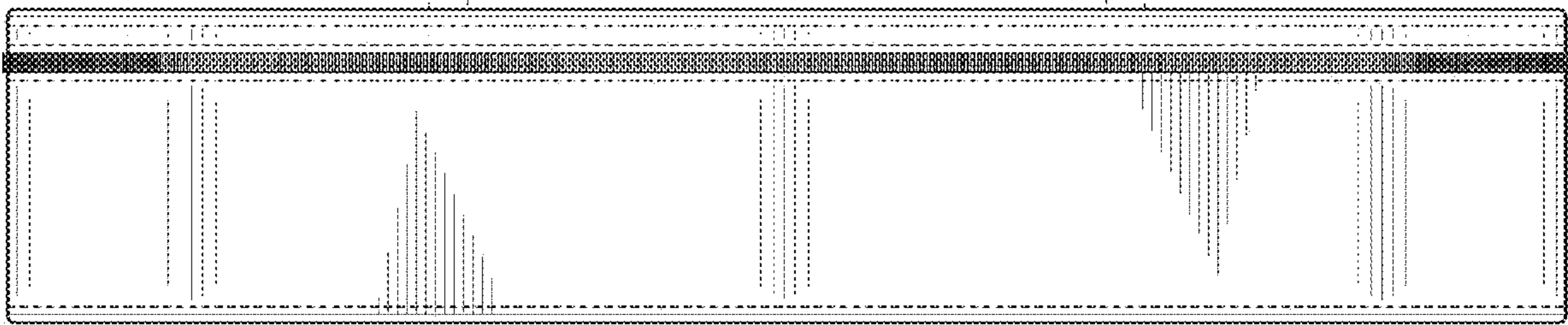


FIG. 3

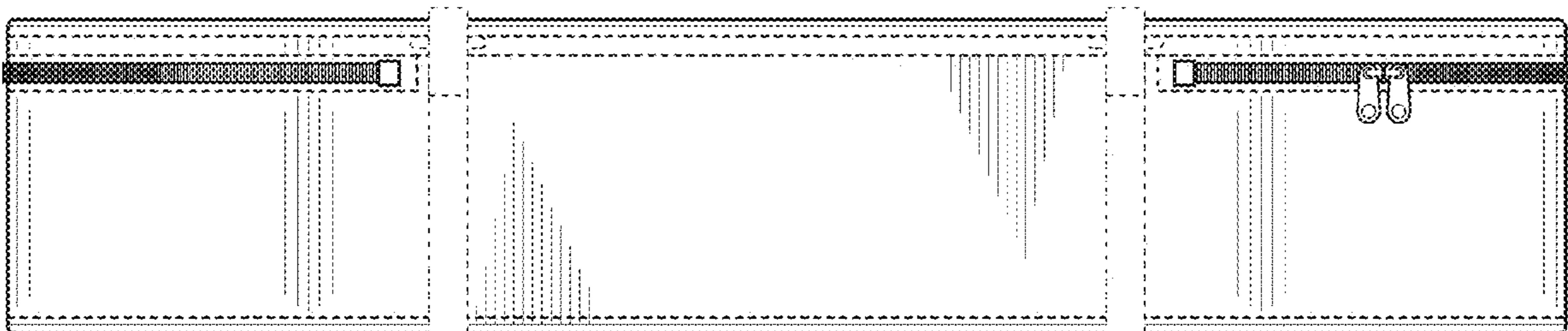


FIG. 4

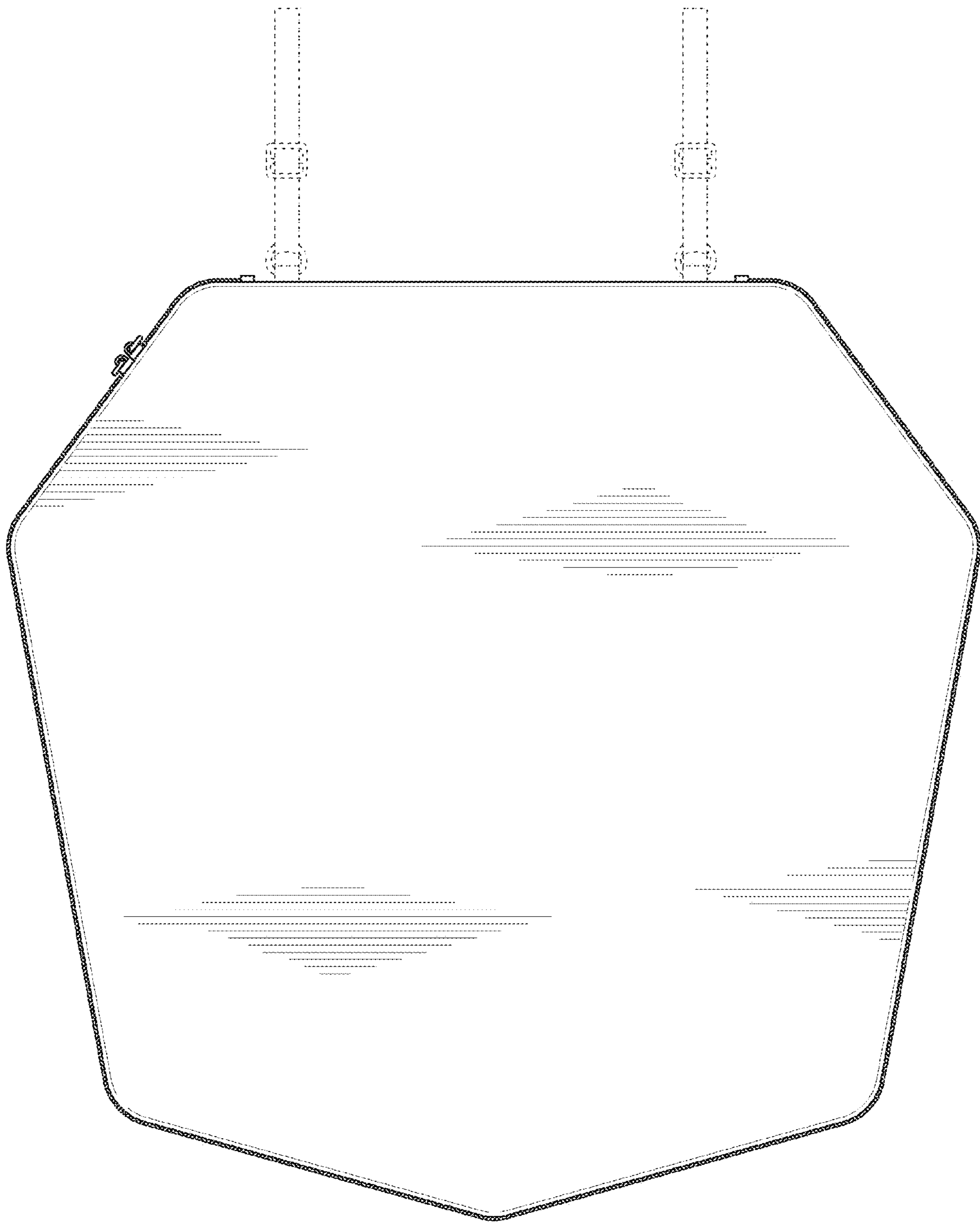


FIG. 5

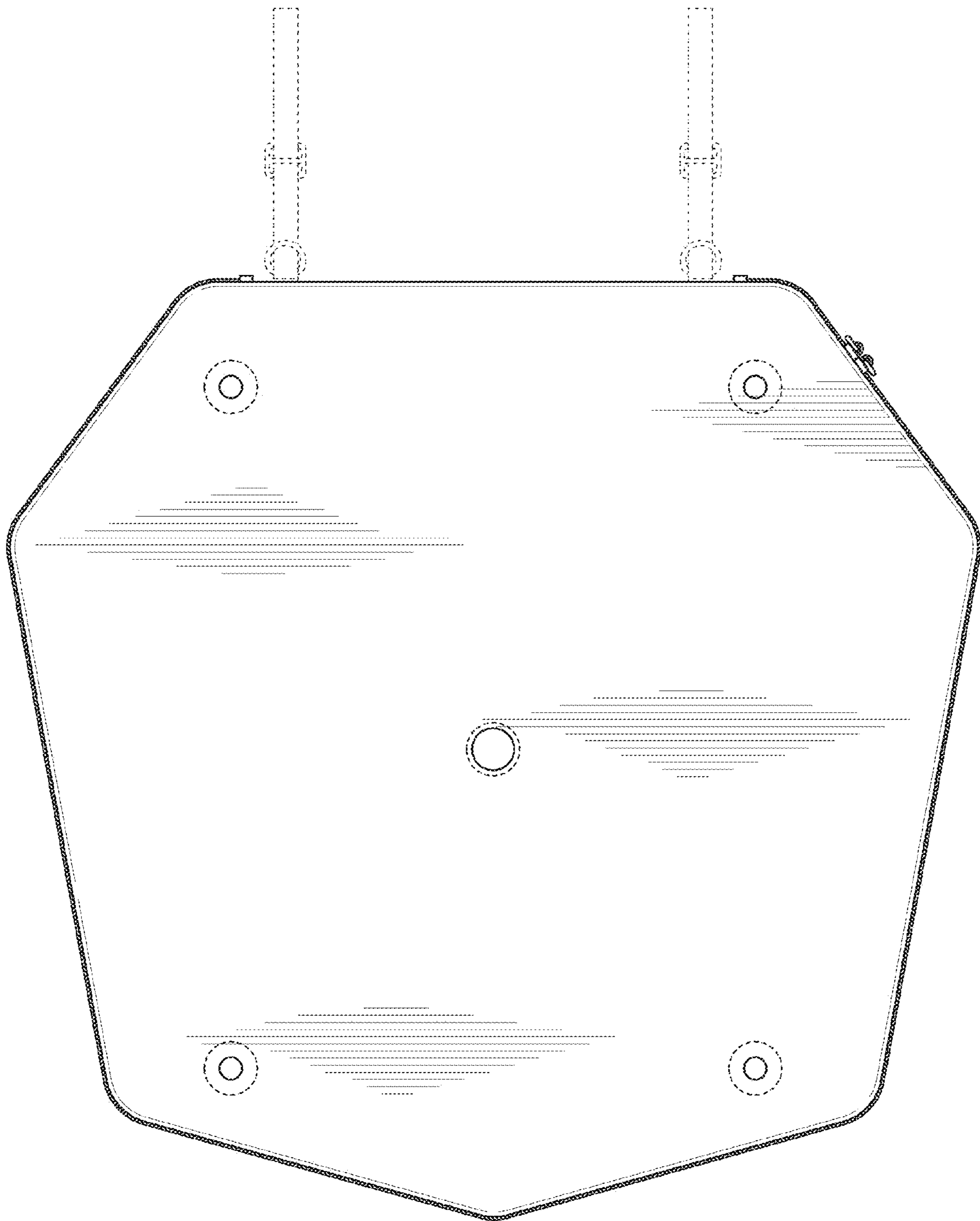


FIG. 6

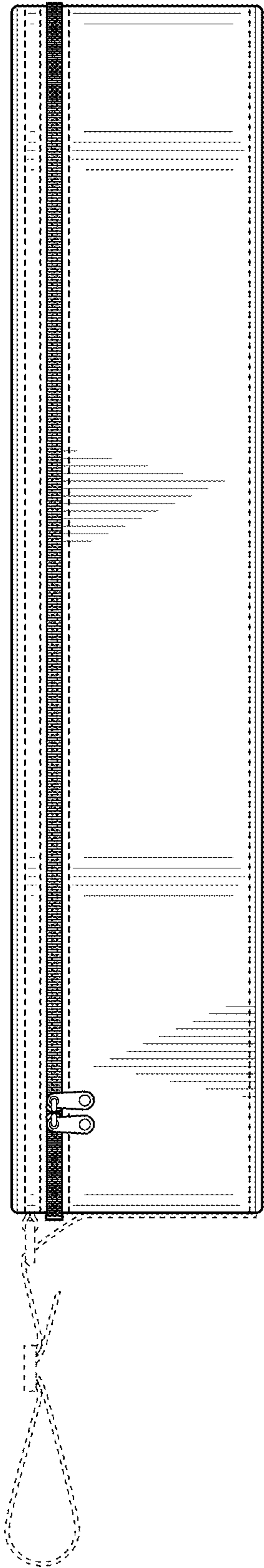


FIG. 7

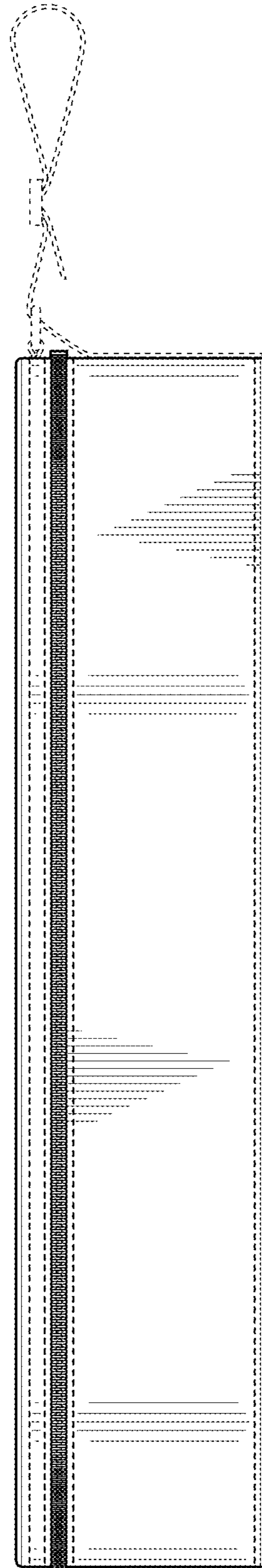


FIG. 8

FIG. 9

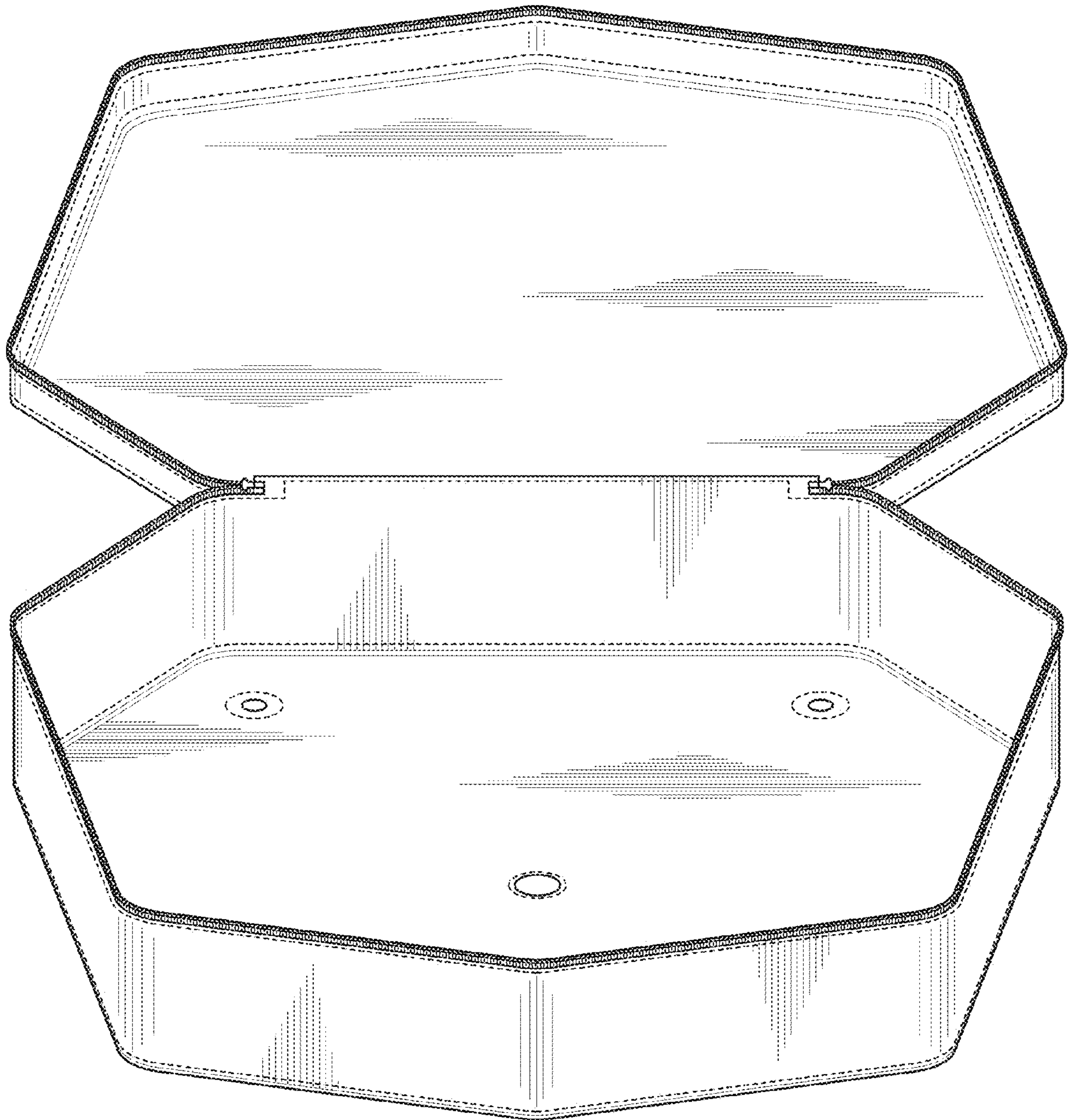
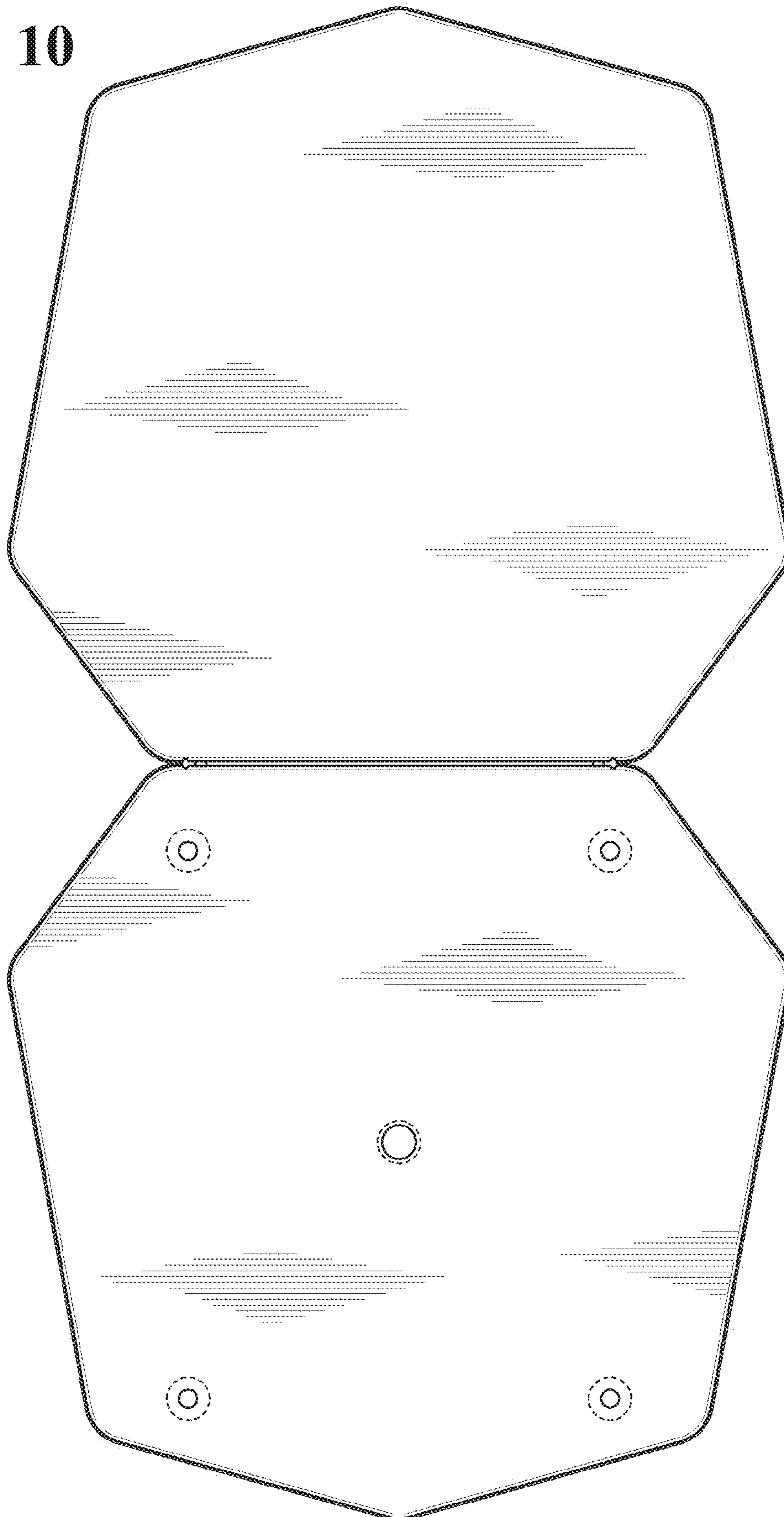


FIG. 10



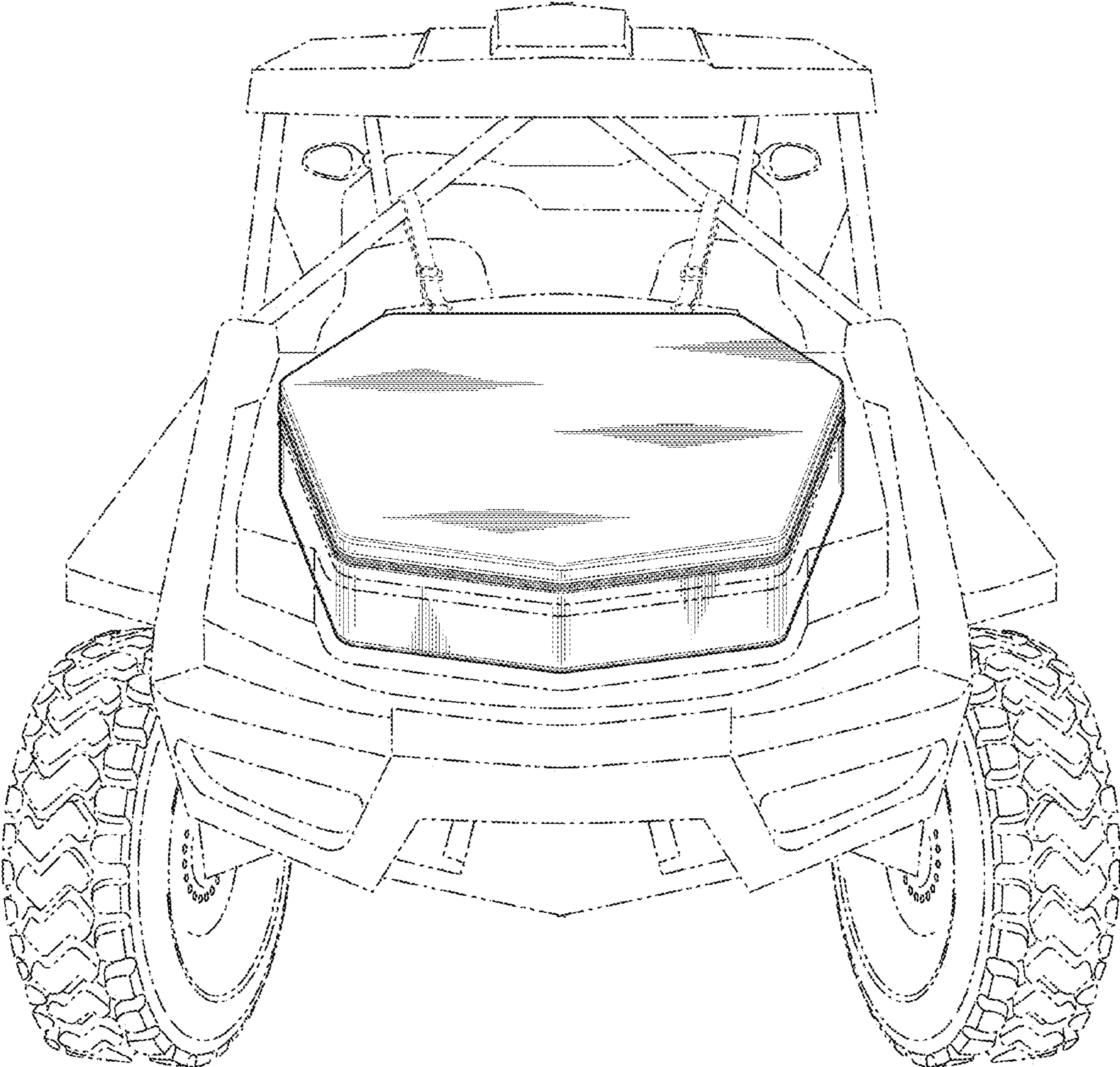


FIG. 11

FIG. 12

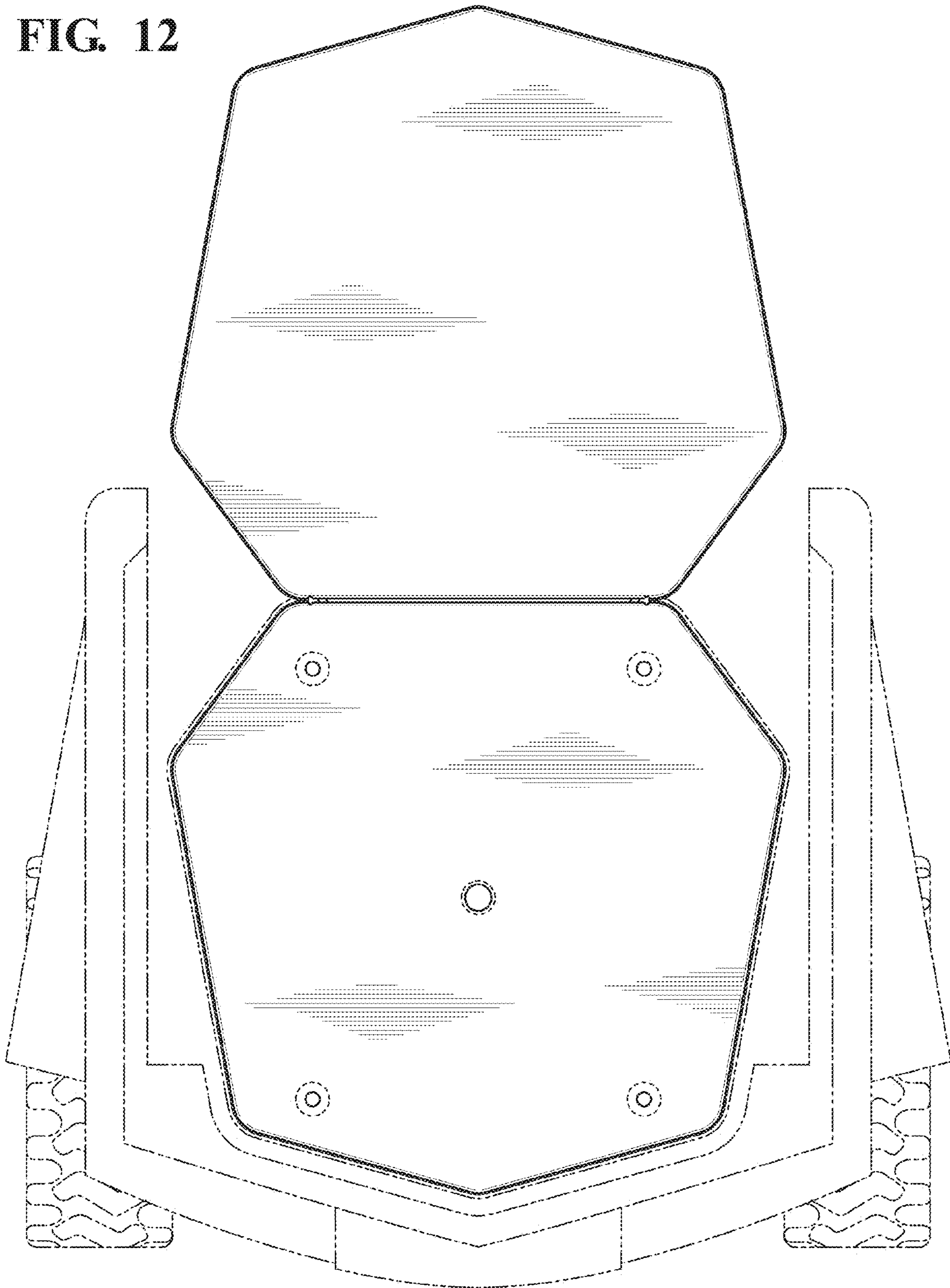


FIG. 13

