

US00D894816S

(12) **United States Design Patent** (10) **Patent No.:** **US D894,816 S**
Rios (45) **Date of Patent:** **** Sep. 1, 2020**

(54) **ELECTRONIC STORAGE BOX FOR VEHICLES**

(71) Applicant: **Westin Automotive Products, Inc.**,
San Dimas, CA (US)

(72) Inventor: **Carlos Rios**, Mira Loma, CA (US)

(73) Assignee: **Westin Automotive Products, Inc.**,
San Dimas, CA (US)

(**) Term: **15 Years**

(21) Appl. No.: **29/684,197**

(22) Filed: **Mar. 19, 2019**

Related U.S. Application Data

(62) Division of application No. 29/610,970, filed on Jul. 18, 2017, now Pat. No. Des. 852,115.

(51) **LOC (12) Cl.** **12-16**

(52) **U.S. Cl.**
USPC **D12/415**

(58) **Field of Classification Search**

USPC D12/415-419, 191, 106, 96, 400, 195,
D12/345, 99; 296/37.1, 37.8, 70, 24.3,
296/97.1, 97.2, 97.4, 97.5, 97.6, 97.7,
296/97.8, 180; 312/246; 224/311, 539,
224/281, 275; D8/354; D14/451-452;
248/278.1, 274.1, 284.1; D3/319;
160/370.21, 370.23, 370.22

CPC B60R 5/00; B60R 5/04; B60R 7/00; B60R
7/02; A47G 29/00

See application file for complete search history.

(56) **References Cited**

U.S. PATENT DOCUMENTS

D320,372 S 10/1991 Alberts
D426,511 S 6/2000 Mehuron
D450,644 S 11/2001 Farkash
D564,438 S 3/2008 Moore

(Continued)

OTHER PUBLICATIONS

Go Rhino Public Safety Division; <http://publicsafety.gorhino.com/equipment-security-boxes-trays>; 2017, Go Rhino!Products.

Primary Examiner — Abraham Bahta

(74) *Attorney, Agent, or Firm* — The Dobrusin Law Firm, PC

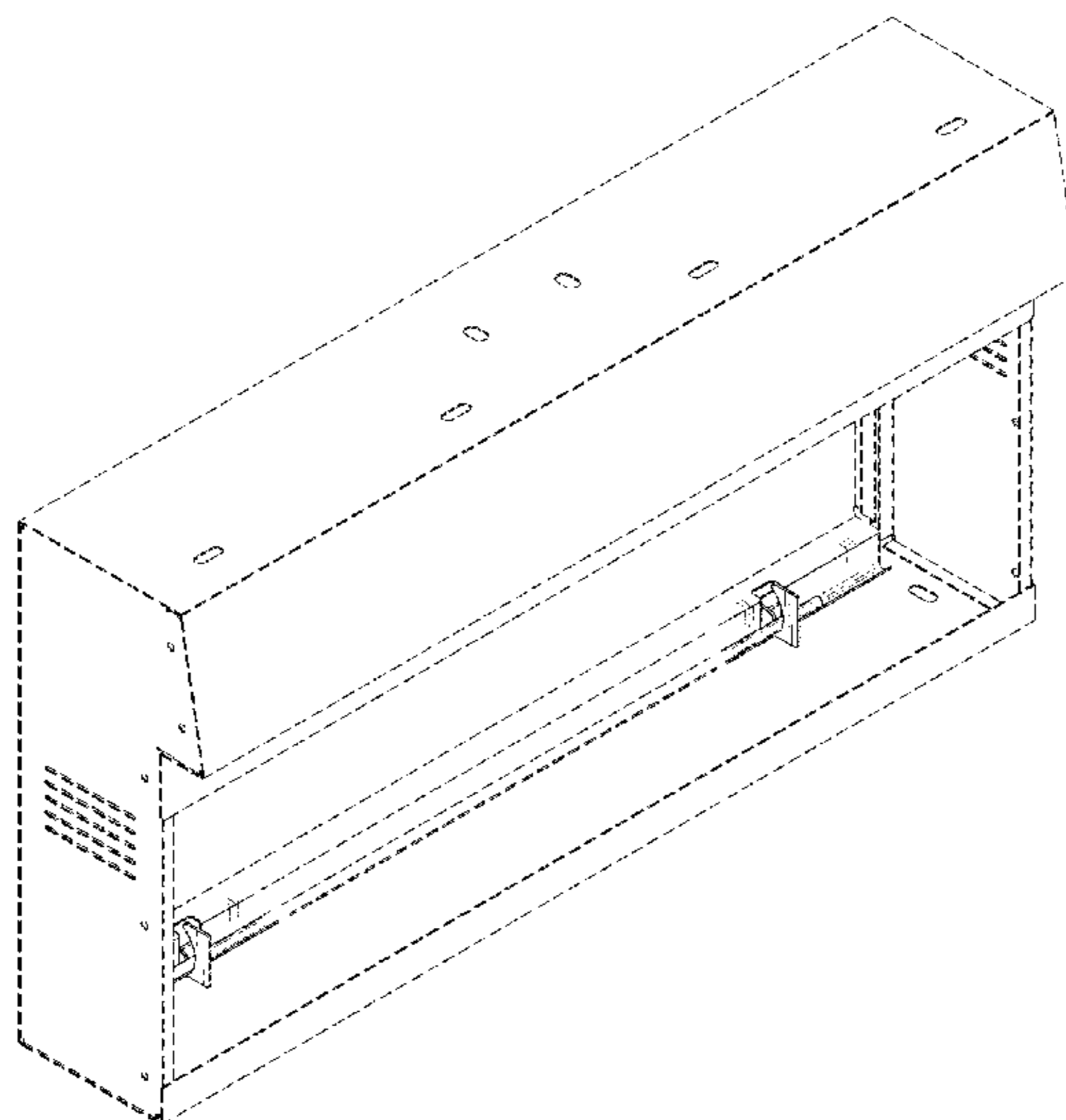
(57) **CLAIM**

The ornamental design for an electronic storage box for vehicles, as shown and described.

DESCRIPTION

FIG. 1 is a top, left-side rear perspective view of the electronic storage box for vehicles showing my new design; FIG. 2 is a top, left-side front perspective view thereof; in a closed configuration with its tray up; FIG. 3 is a top, left-side front perspective view thereof; in an open configuration with its tray down; FIG. 4 is a rear view thereof; FIG. 5 is a front view thereof; FIG. 6 is a top view thereof; FIG. 7 is a bottom view thereof; FIG. 8 is a right-side view, wherein the left-side view being a mirror image thereof; FIG. 9 is a closed up front perspective view of the channel-bracket connection between the electronic storage box shown in FIG. 1 and its tray; and, FIG. 10 is a closed up rear perspective view of the channel-bracket connection between the electronic storage box shown in FIG. 1 and its tray. The ornamental design which is claimed is shown in the solid lines in the drawings. The broken lines shown in the drawings are for the purpose of illustrating environmental structure and form no part of the claimed design.

1 Claim, 9 Drawing Sheets



(56)

References Cited

U.S. PATENT DOCUMENTS

D755,708 S 5/2016 Roach
D757,707 S 5/2016 Quilling, II
D771,275 S 11/2016 Yarter
D852,115 S * 6/2019 Rios D12/415

* cited by examiner

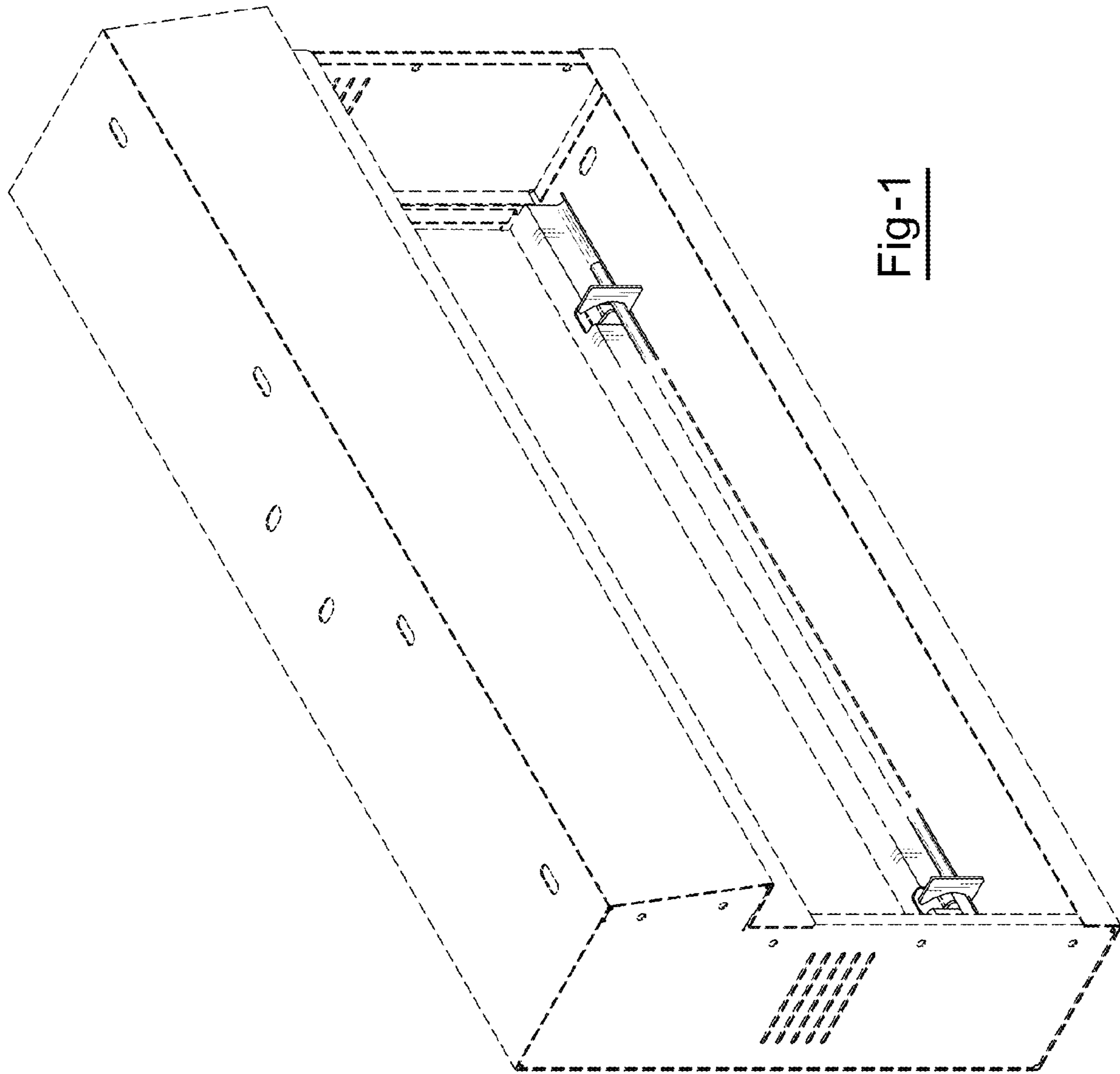


Fig-1

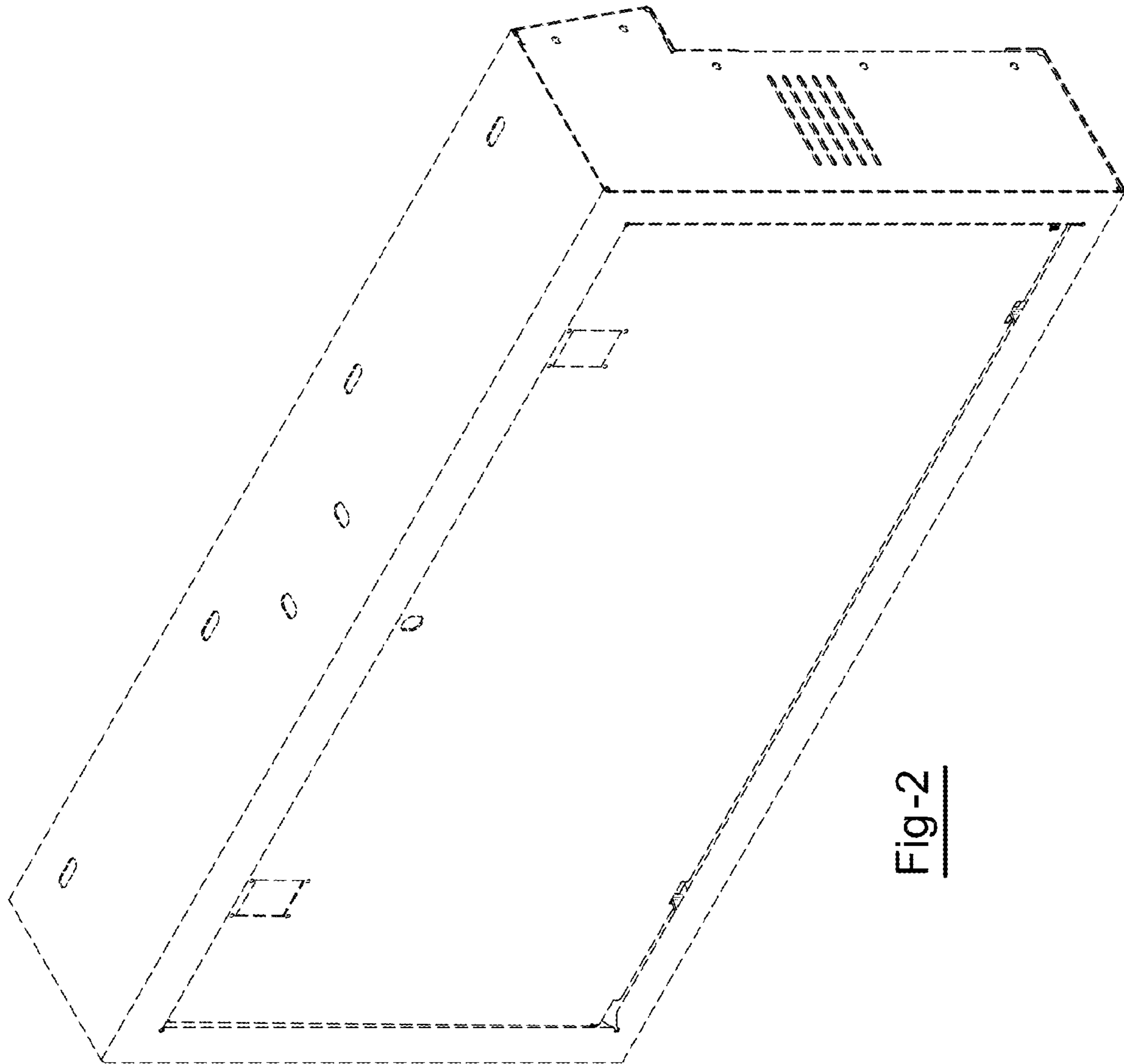
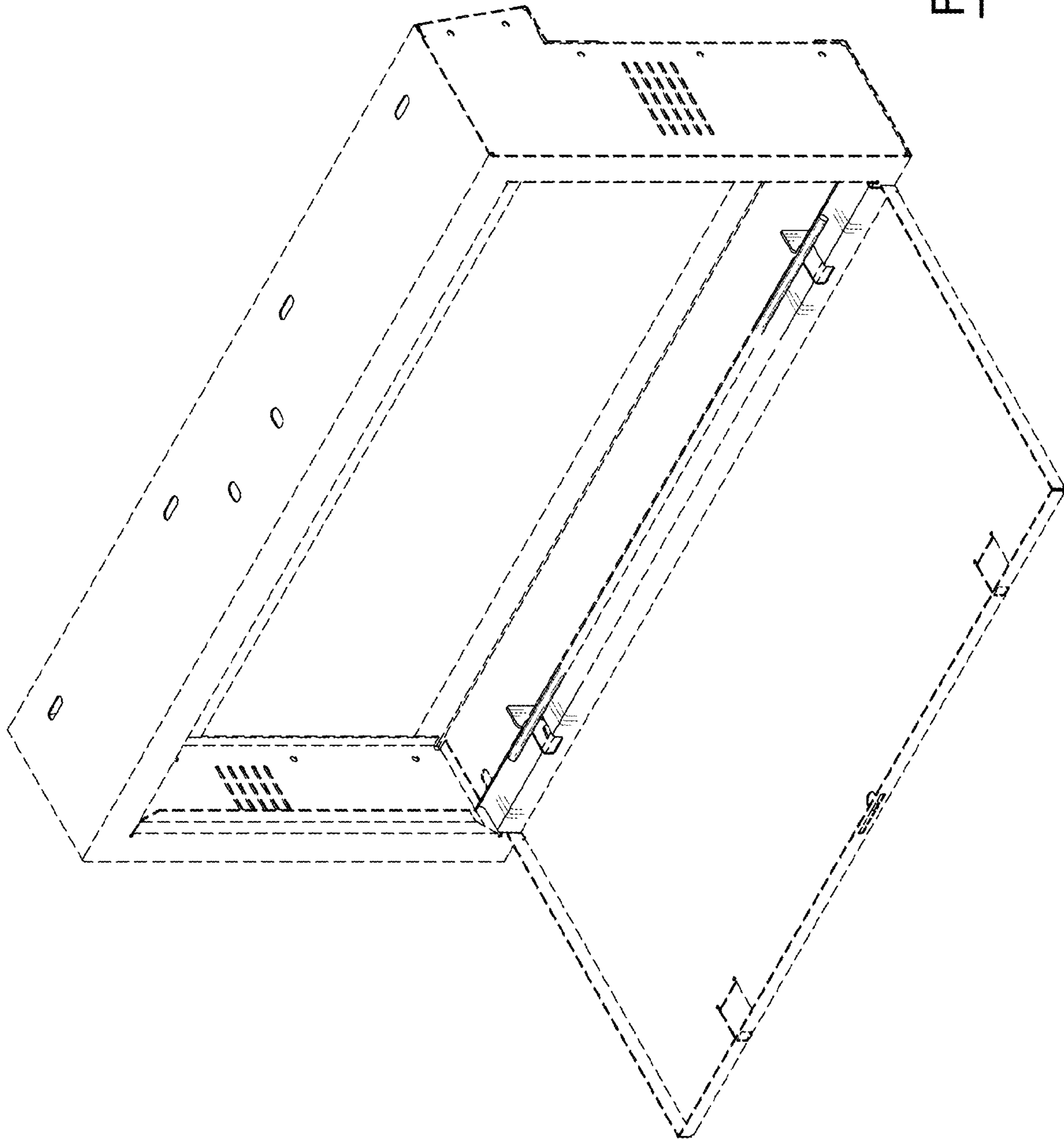


Fig-2

Fig-3



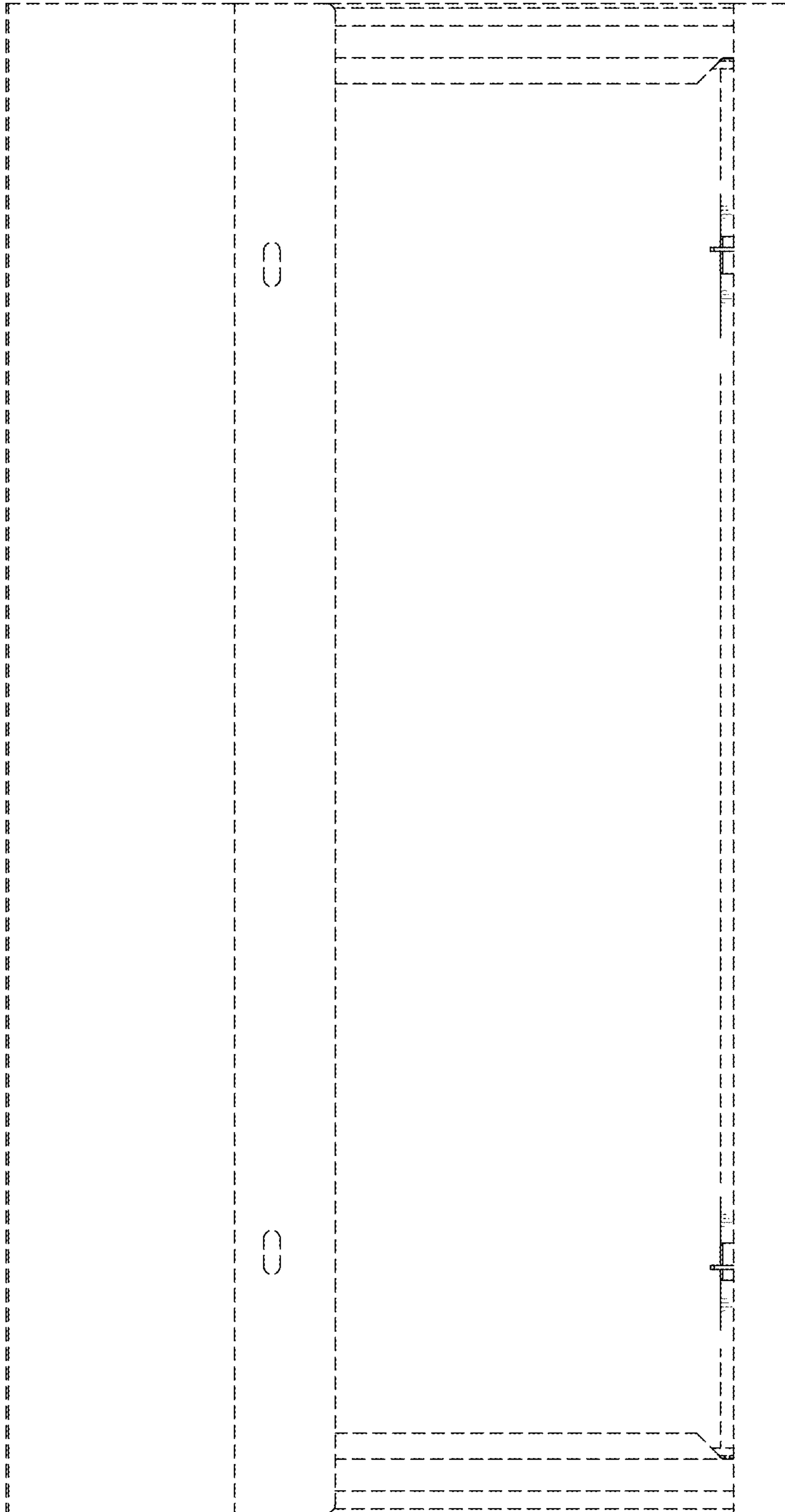


Fig-4

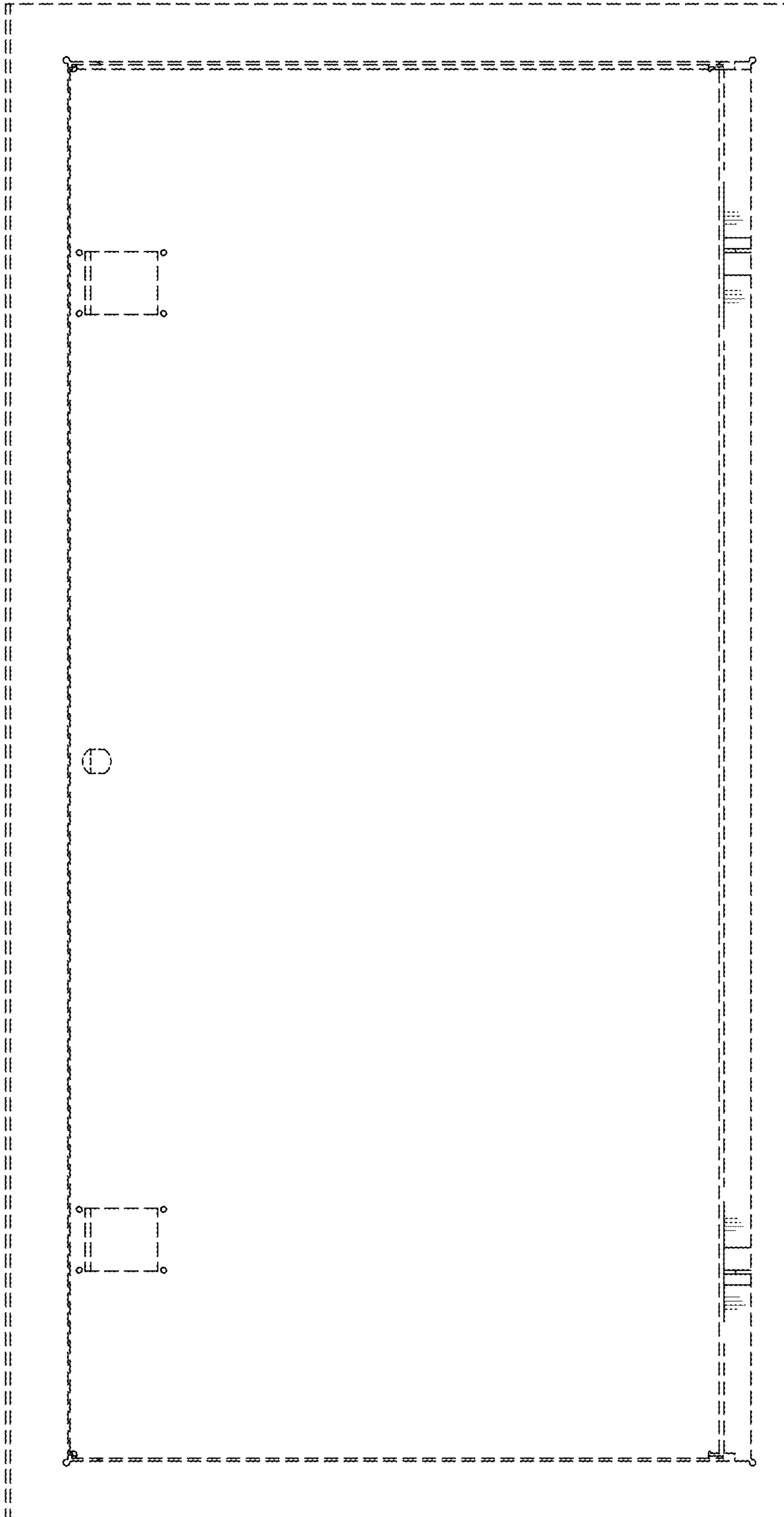


Fig-5

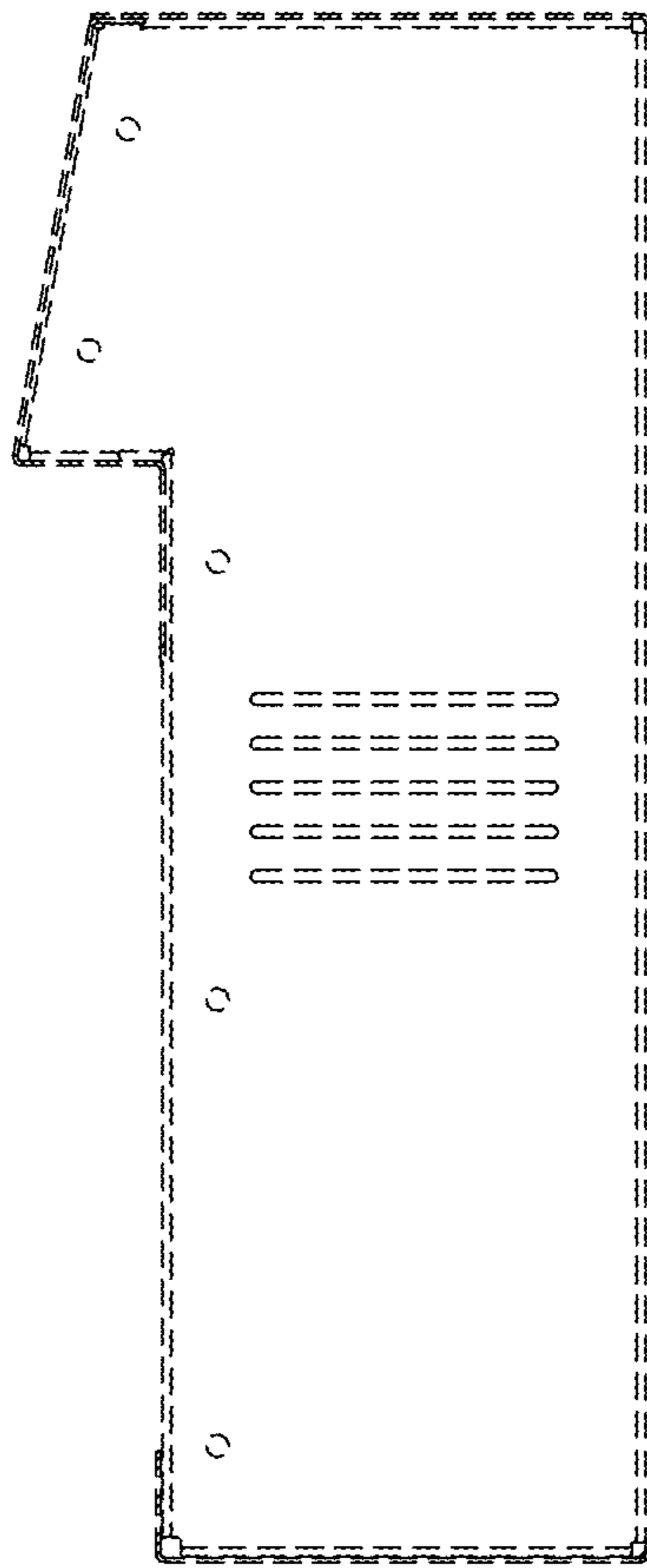


Fig-8

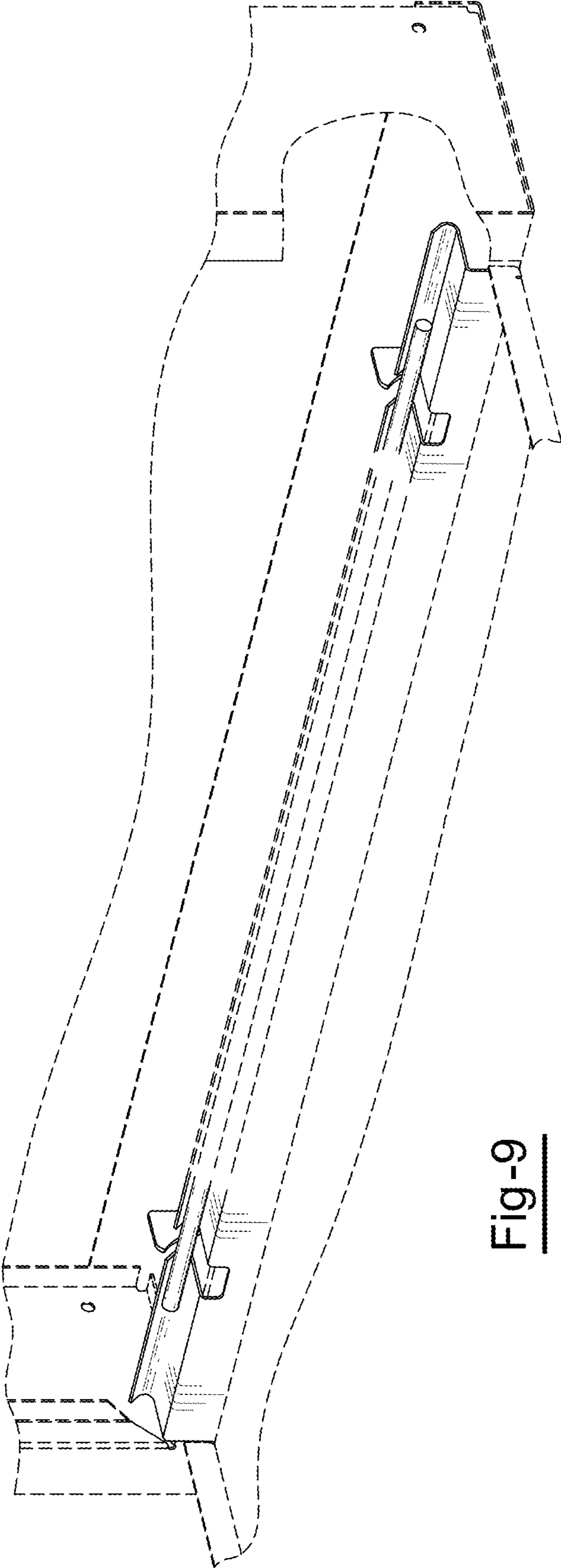


Fig-9

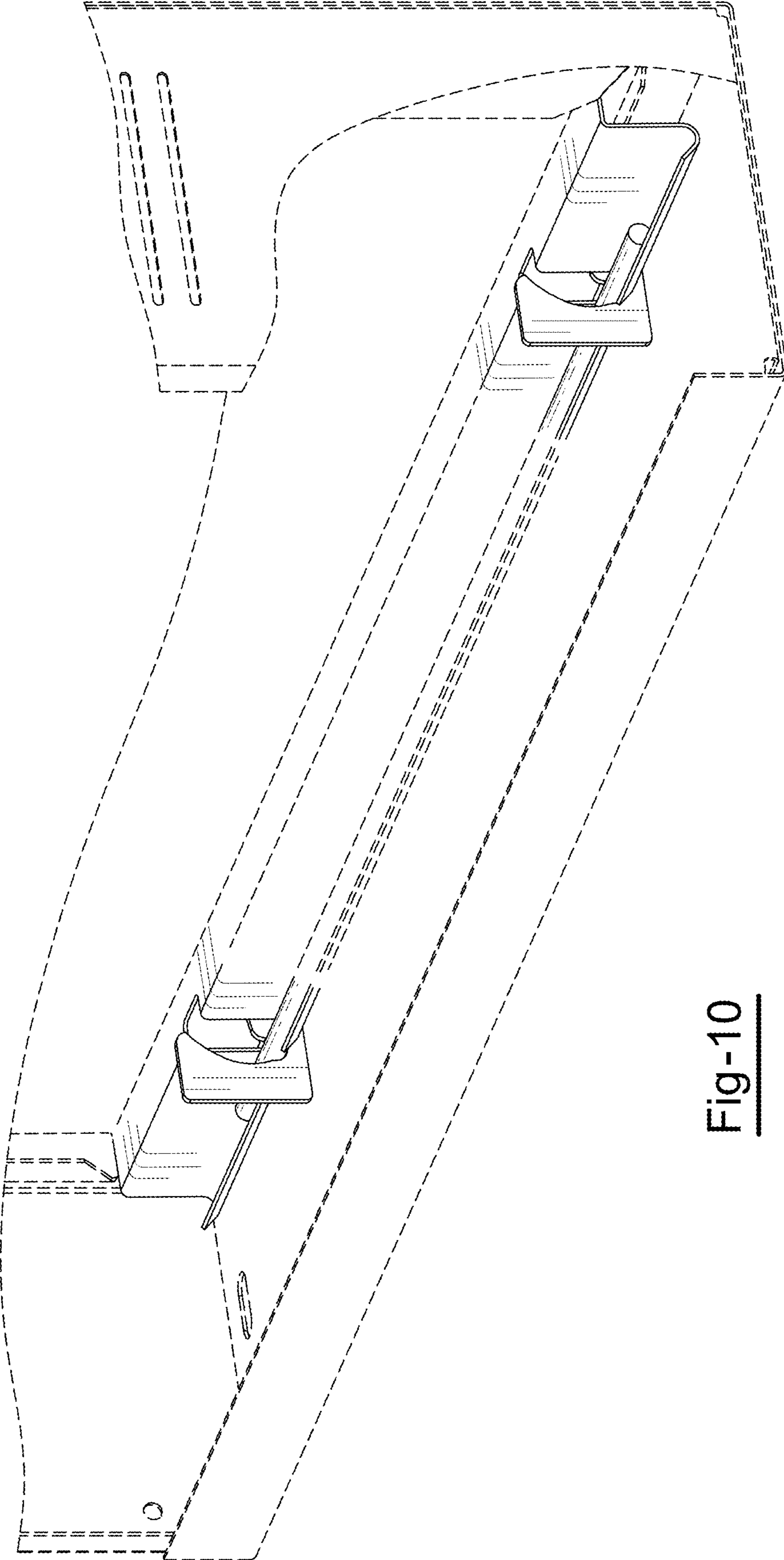


Fig-10