



US00D894815S

(12) **United States Design Patent** (10) **Patent No.:** **US D894,815 S**
Wang (45) **Date of Patent:** **** Sep. 1, 2020**

(54) **PROTECTIVE SHELL FOR A GIMBAL OF AN UNMANNED AERIAL VEHICLE**

(71) Applicant: **AUTEL ROBOTICS CO., LTD.**,
Shenzhen (CN)

(72) Inventor: **Yongshuai Wang**, Shenzhen (CN)

(73) Assignee: **AUTEL ROBOTICS CO., LTD.**,
Shenzhen (CN)

(**) Term: **15 Years**

(21) Appl. No.: **29/647,053**

(22) Filed: **May 9, 2018**

(30) **Foreign Application Priority Data**

Dec. 27, 2017 (CN) 2017 3 0673626

(51) **LOC (12) Cl.** **16-05**

(52) **U.S. Cl.**
USPC **D12/345**; D16/202

(58) **Field of Classification Search**
USPC D15/199; D16/202, 203, 242, 243;
D12/16.1, 328, 345
CPC F16M 13/04; B64C 1/08; B64C 39/024;
B64C 2201/027
See application file for complete search history.

(56) **References Cited**

U.S. PATENT DOCUMENTS

5,303,104 A * 4/1994 Aruga G11B 5/5521
360/246.1
D782,365 S * 3/2017 Hung D12/16.1

D813,924 S * 3/2018 Zheng D16/203
D816,150 S * 4/2018 Liao D16/242
D858,433 S * 9/2019 Gan D13/103
D862,359 S * 10/2019 Chen D12/328
D869,375 S * 12/2019 Kim D12/328
D870,638 S * 12/2019 Kuanliang D12/328
D874,532 S * 2/2020 Chen D16/202
D875,155 S * 2/2020 Jeong D16/202
D875,602 S * 2/2020 Xu D12/16.1
D887,340 S * 6/2020 He D12/328
D887,471 S * 6/2020 Chen D16/202
D887,472 S * 6/2020 Chen D16/202
2006/0067657 A1 * 3/2006 Rydelek G03B 17/02
396/6
2020/0189712 A1 * 6/2020 Briod B64C 1/08

* cited by examiner

Primary Examiner — Patricia A Palasik

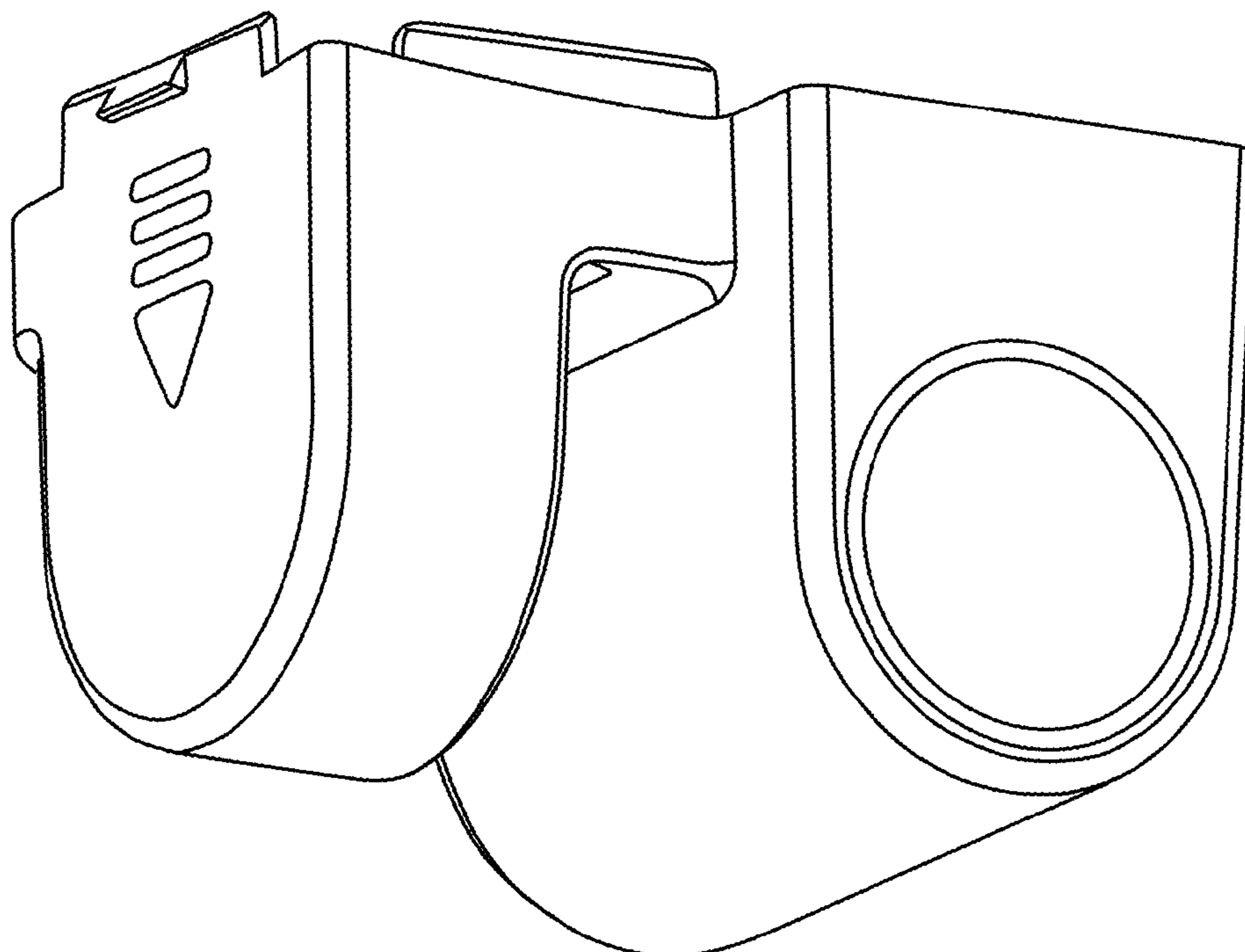
(57) **CLAIM**

The ornamental design for a protective shell for a gimbal of an unmanned aerial vehicle, as shown and described.

DESCRIPTION

FIG. 1 is a front elevational view of a protective shell for a gimbal of an unmanned aerial vehicle showing our new design;
FIG. 2 is a rear elevational view thereof;
FIG. 3 is left side elevational view thereof;
FIG. 4 is a right side elevational view thereof;
FIG. 5 is a top plan view thereof;
FIG. 6 is a bottom plan view thereof; and,
FIG. 7 is a perspective view thereof.
The portions of the article shown in broken lines in the drawings form no part of the claimed design.

1 Claim, 4 Drawing Sheets



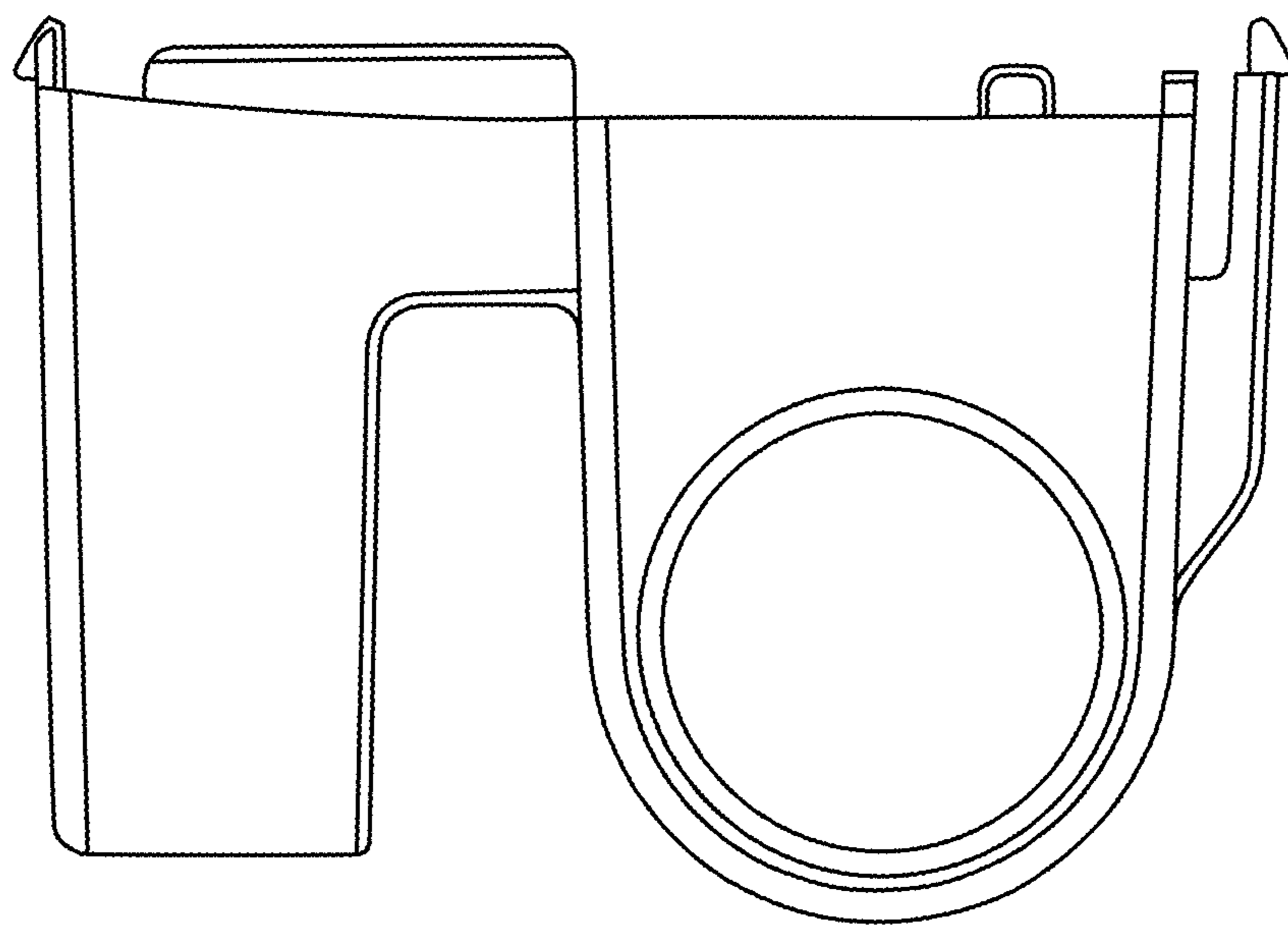


FIG. 1

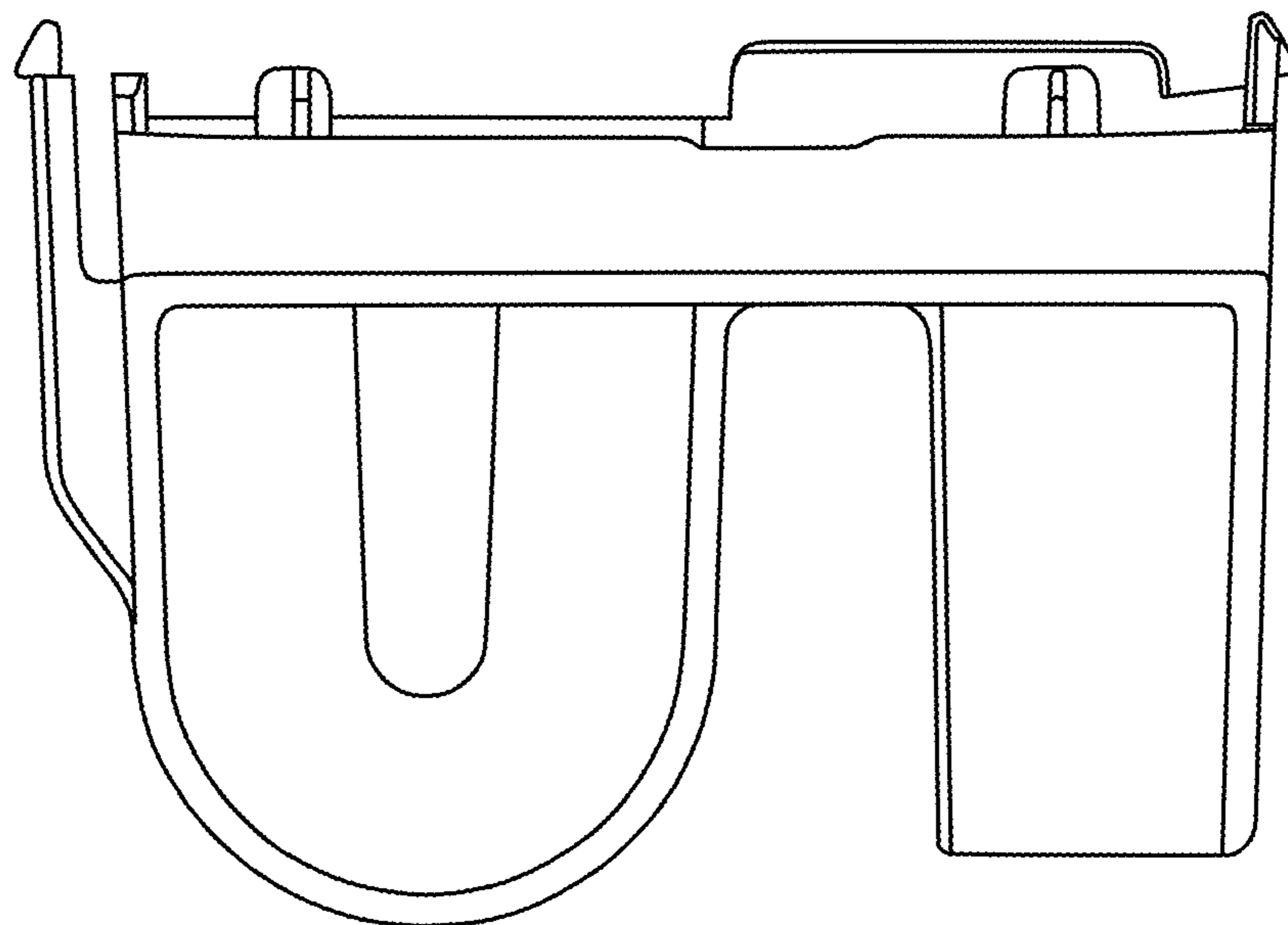


FIG. 2

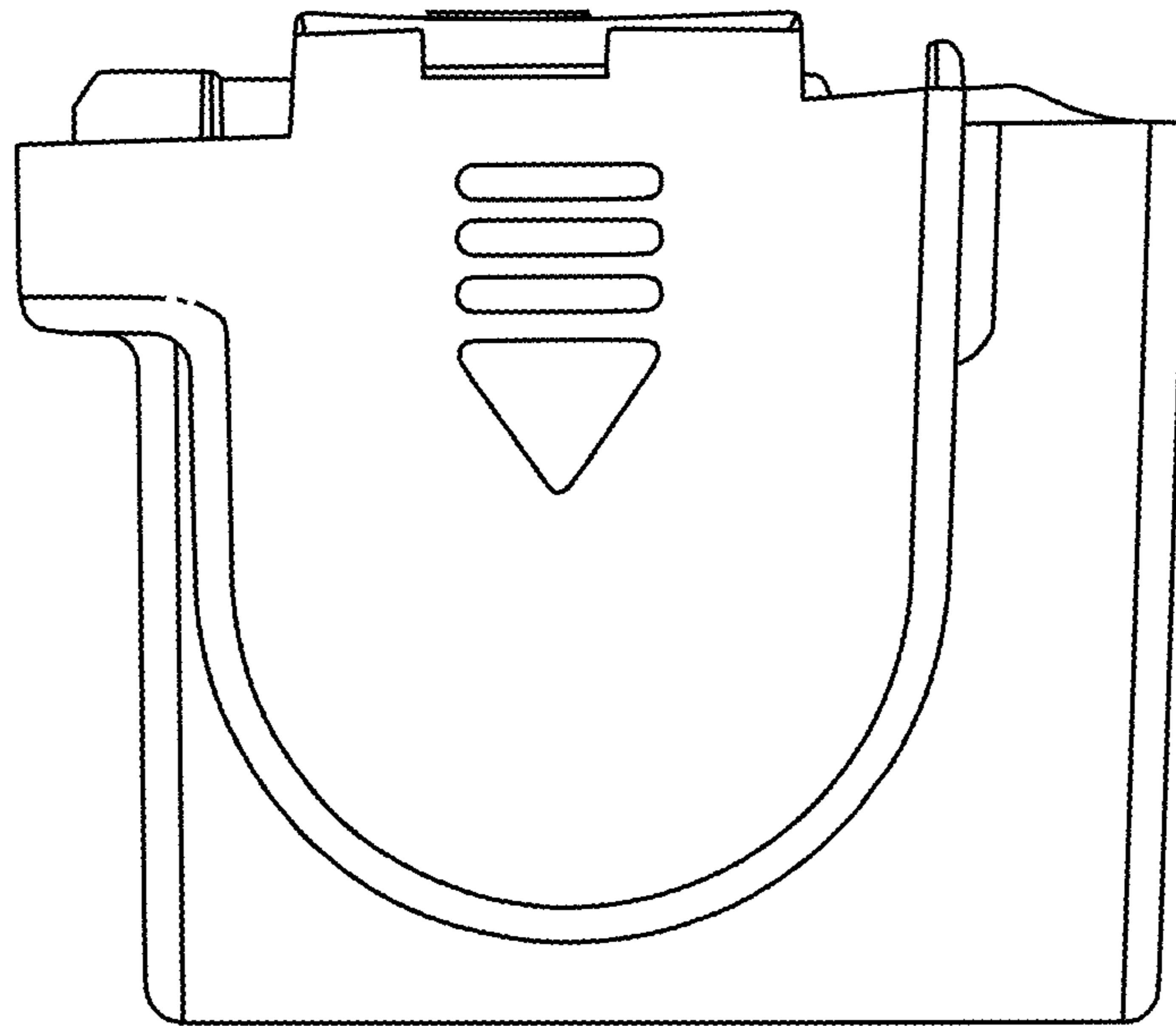


FIG. 3

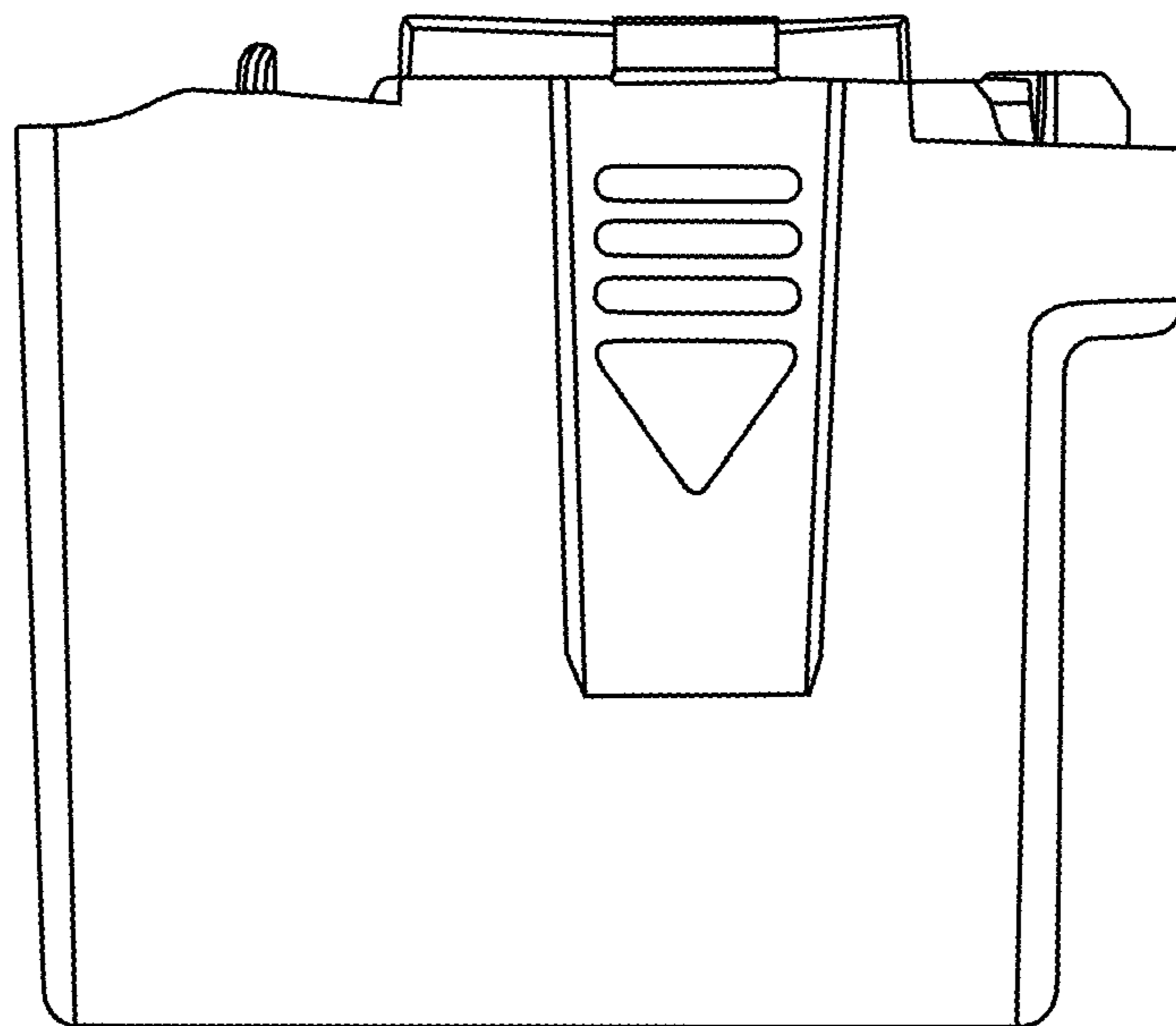


FIG. 4

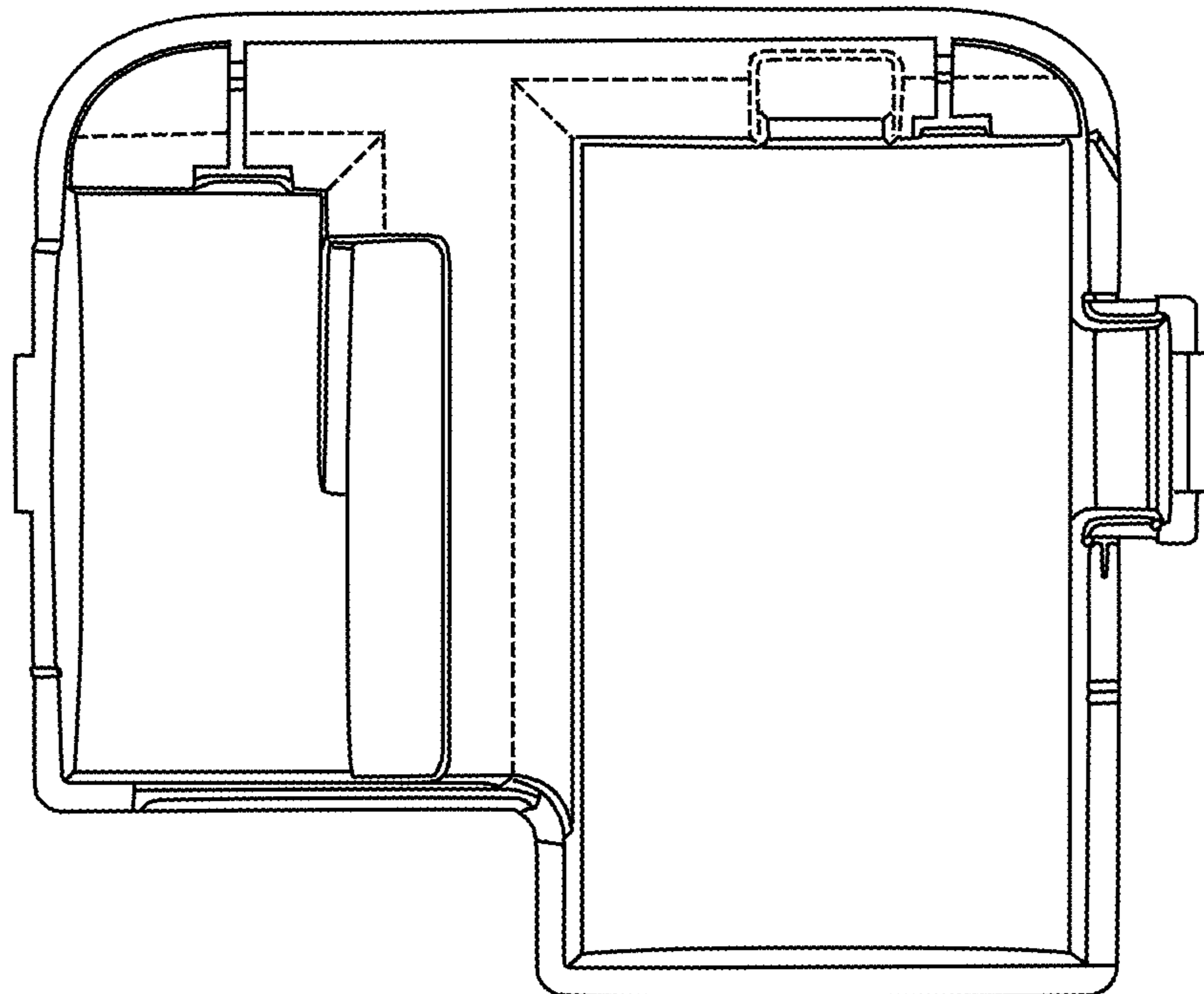


FIG. 5

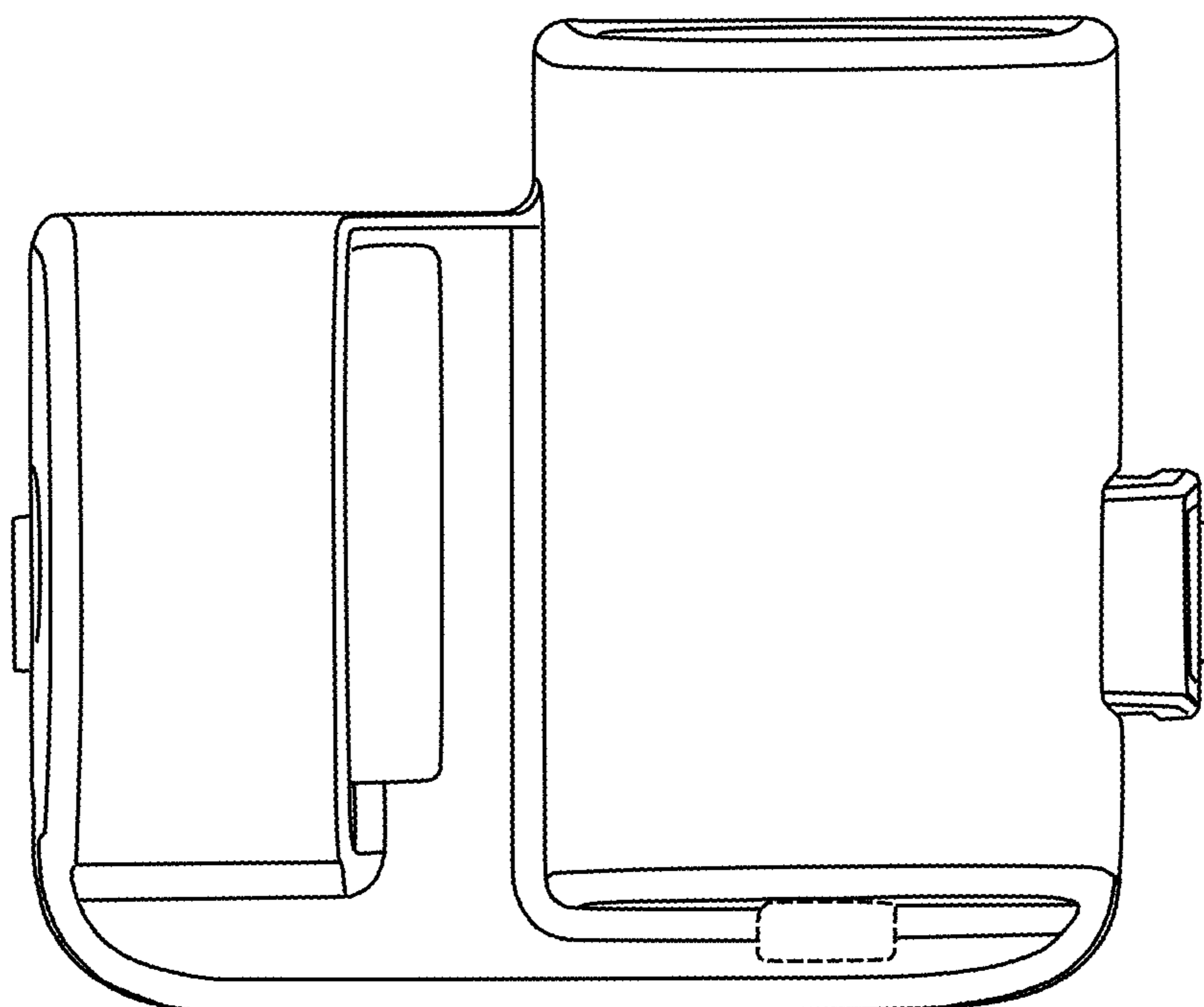


FIG. 6

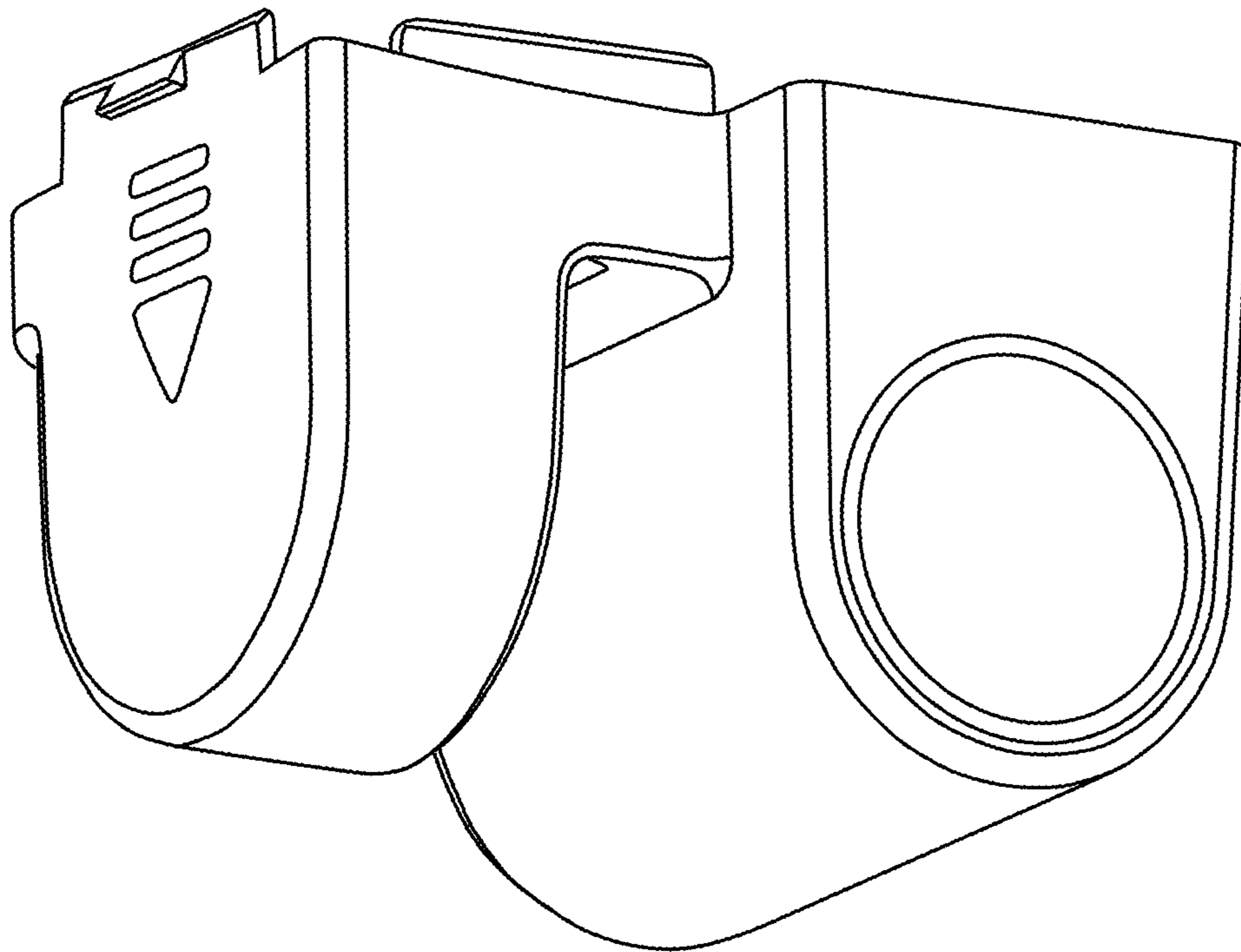


FIG. 7