



US00D894812S

(12) **United States Design Patent**  
**Sempek**

(10) **Patent No.:** **US D894,812 S**

(45) **Date of Patent:** **\*\* Sep. 1, 2020**

(54) **WHEEL RIM**

(71) Applicant: **Allied Wheel Components**, Garden Grove, CA (US)

(72) Inventor: **Christopher Sean Sempek**, Long Beach, CA (US)

(73) Assignee: **Allied Wheel Components**, Garden Grove, CA (US)

(\*\*) Term: **15 Years**

(21) Appl. No.: **29/664,017**

(22) Filed: **Sep. 20, 2018**

(51) **LOC (12) Cl.** ..... **12-16**

(52) **U.S. Cl.**  
USPC ..... **D12/211**

(58) **Field of Classification Search**  
USPC ..... D12/204–213; D21/563  
CPC .... B60B 7/00; B60B 7/02; B60B 7/04; B60B 7/01; B60B 7/06; B60B 3/02; B60B 3/04; B60B 3/06; B60B 3/10; B60B 1/00; B60B 1/08; B60B 1/10; B60B 1/12  
See application file for complete search history.

(56) **References Cited**

**U.S. PATENT DOCUMENTS**

D58,279 S	6/1921	Weer et al.	
1,404,382 A	1/1922	Lewis et al.	
1,530,863 A	3/1925	Vanderveer et al.	
D396,208 S	7/1998	Baumgartner et al.	
D406,807 S	* 3/1999	Shikado	D12/211
D410,886 S	* 6/1999	Nishida	D12/211
D416,850 S	* 11/1999	Cohen	D12/211
D450,649 S	11/2001	Penzes	
D460,035 S	* 7/2002	Wiesinger	D12/211
D466,851 S	* 12/2002	Pfeiffer	D12/211
D477,556 S	7/2003	Koch	
D481,984 S	11/2003	Sulahian	

D497,870 S	11/2004	Cahyono	
D504,101 S	4/2005	Pfeiffer	
D508,007 S	8/2005	Koch	
D513,728 S	1/2006	Yazawa et al.	
D516,490 S	3/2006	Baer	
D520,931 S	* 5/2006	Hieke	D12/211
D522,439 S	* 6/2006	Laengerer	D12/211
D524,217 S	7/2006	Aoki	
D525,930 S	* 8/2006	Matsumoto	D12/211
D529,426 S	10/2006	Metros et al.	
D534,473 S	1/2007	Bernoni	
D538,215 S	3/2007	Laengerer	
D542,210 S	5/2007	Plumer	
D543,922 S	6/2007	Young	
D543,923 S	* 6/2007	Hieke	D12/211
D555,065 S	11/2007	Hernandez	
D587,179 S	2/2009	Pfeiffer	
D596,548 S	* 7/2009	Gallert	D12/211
D608,711 S	1/2010	Juergens et al.	

(Continued)

**OTHER PUBLICATIONS**

Raceline Wheels, Go Everywhere, Catalog, Apr. 7, 2017, Allied Wheel Components Inc, vol. 29, 16 pages.

(Continued)

*Primary Examiner* — Stacia A Cadmus

(74) *Attorney, Agent, or Firm* — Fish IP Law, LLP

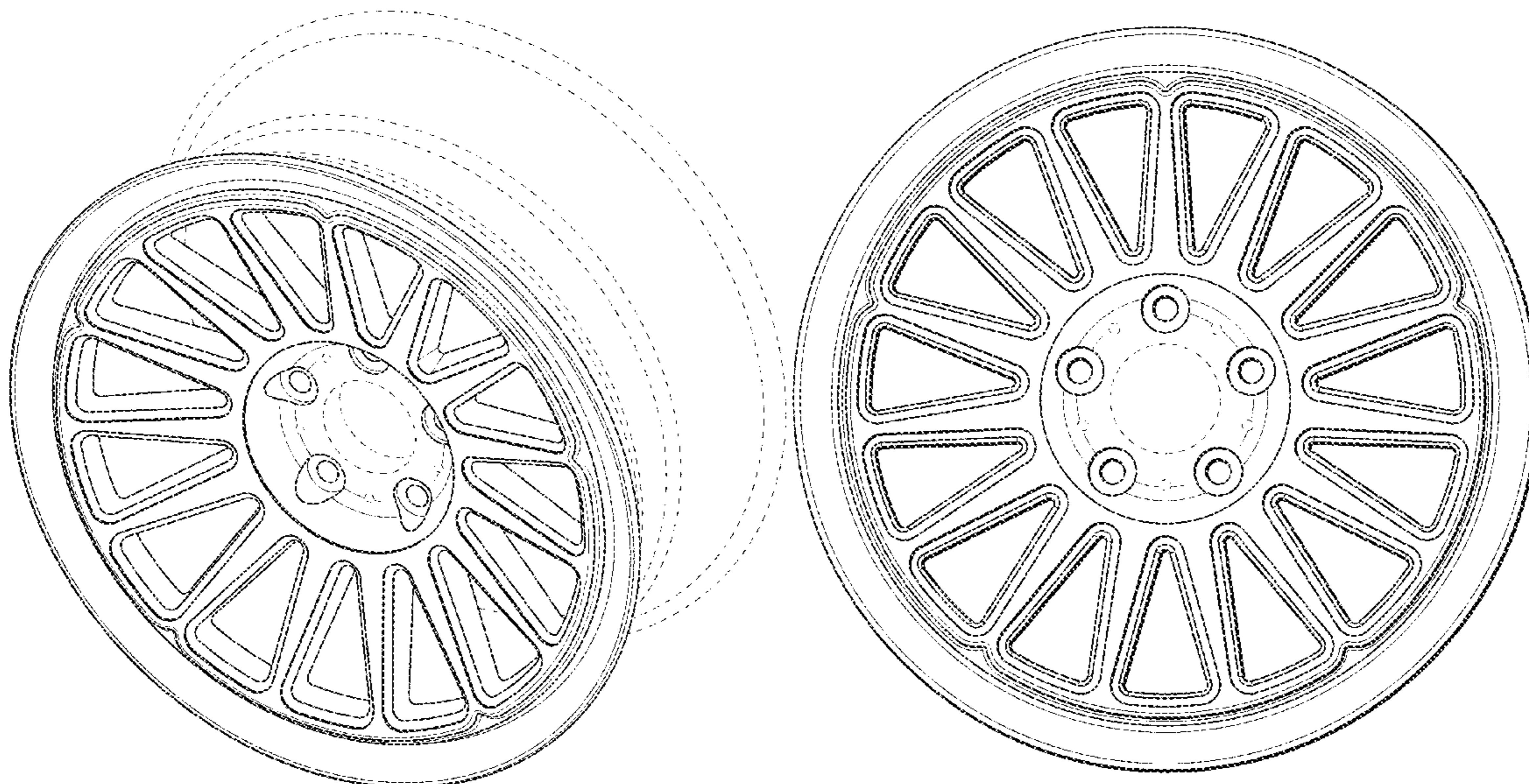
(57) **CLAIM**

I claim the ornamental design for a wheel rim, as shown and described.

**DESCRIPTION**

FIG. 1 is a top, front, right side perspective view of a wheel rim of the new design; and, FIG. 2 is a front elevation view thereof. The broken lines depicted in FIG. 1 and FIG. 2 are included for the purpose of illustrating a portion of the wheel rim and forms no part of the claimed design.

**1 Claim, 2 Drawing Sheets**



(56)

References Cited

U.S. PATENT DOCUMENTS

D609,624 S 2/2010 Matsubara  
 D617,710 S 6/2010 Ectors et al.  
 D619,070 S 7/2010 Pollmann  
 D620,862 S 8/2010 Pollmann  
 D623,110 S 9/2010 Juergens et al.  
 D628,948 S 12/2010 Chung  
 D629,347 S 12/2010 Kim  
 D632,239 S 2/2011 Gallert  
 D639,222 S 6/2011 Johnson  
 D644,587 S 9/2011 Gotschke  
 D659,063 S 5/2012 Johnson  
 D660,220 S 5/2012 Chan  
 D666,546 S 9/2012 Juergens et al.  
 D667,355 S 9/2012 Gotschke  
 D682,180 S 5/2013 Zhao  
 D688,190 S 8/2013 Hodges  
 D691,542 S 10/2013 Chan  
 D695,183 S 12/2013 Chung  
 D702,173 S 4/2014 Perini  
 D706,196 S 6/2014 Lee  
 D715,722 S 10/2014 Johnson  
 D717,224 S 11/2014 Kim  
 D717,711 S 11/2014 Kern  
 D720,271 S 12/2014 Mielke et al.  
 D721,318 S 1/2015 Kim  
 D722,937 S 2/2015 Johnson  
 D724,515 S 3/2015 Chung  
 D726,089 S 4/2015 Hodges  
 D726,090 S 4/2015 Hilpert  
 D731,388 S \* 6/2015 Gotschke ..... D12/211  
 D731,945 S \* 6/2015 Kern ..... D12/211  
 D739,329 S 9/2015 Watkin  
 D744,399 S 12/2015 Juergens et al.  
 D744,931 S 12/2015 Curic et al.  
 D749,486 S 2/2016 Huang  
 D751,481 S 3/2016 Chung  
 D751,966 S 3/2016 Zhao  
 D754,049 S 4/2016 Valencia Pollex  
 D756,877 S 5/2016 Huang  
 D763,161 S \* 8/2016 Morgenstern ..... D12/211  
 D772,133 S 11/2016 Stone et al.

D775,047 S 12/2016 Wheel  
 D782,951 S 4/2017 Bjerke  
 D782,954 S \* 4/2017 Liffick ..... D12/211  
 D786,768 S 5/2017 Youssef  
 D788,009 S \* 5/2017 Zhao ..... D12/211  
 D791,035 S 7/2017 Palana  
 D795,150 S \* 8/2017 Tran ..... D12/209  
 D799,398 S 10/2017 Liffick  
 D800,628 S 10/2017 Tran  
 D803,129 S 11/2017 McMath  
 D806,630 S 1/2018 McMath  
 D808,325 S 1/2018 Chung  
 D813,137 S 3/2018 Sempek  
 D813,780 S 3/2018 Sempek  
 D817,844 S 5/2018 Hale, Jr.  
 D832,178 S \* 10/2018 Hodges ..... D12/211  
 D845,205 S \* 4/2019 Chu ..... D12/211  
 D855,540 S \* 8/2019 Han ..... D12/211

OTHER PUBLICATIONS

Raceline Wheels, Go Everywhere, Catalog, Oct. 16, 2015, Allied Wheel Components Inc, vol. 24, 28 pages.  
 Raceline Wheels, Go Everywhere, Catalog, Feb. 21, 2017, Allied Wheel Components Inc, vol. 22, 9 page.  
 Raceline Wheels, Go Everywhere, Catalog, Feb. 21, 2017, Allied Wheel Components Inc, vol. 23, 16 pages.  
 Raceline Wheels, Go Everywhere, Catalog, Feb. 23, 2017, Allied Wheel Components Inc, vol. 28, 20 pages.  
 Raceline Wheels, Go Everywhere, Catalog, Mar. 24, 2016, Allied Wheel Components Inc, vol. 26, 28 pages.  
 Raceline Wheels, Go Everywhere, Catalog, Oct. 24, 2016, Allied Wheel Components Inc, vol. 27, 20 pages.  
 Raceline Wheels, Go Everywhere, Catalog, Jan. 26, 2016, Allied Wheel Components Inc, vol. 25, 28 pages.  
 Raceline Wheels, Go Everywhere, Catalog, Allied Wheel Components Inc, vol. 22, 16 pages.  
 Raceline Wheels, Go Everywhere, Catalog, Allied Wheel Components Inc, vol. 26, 13 pages.

\* cited by examiner



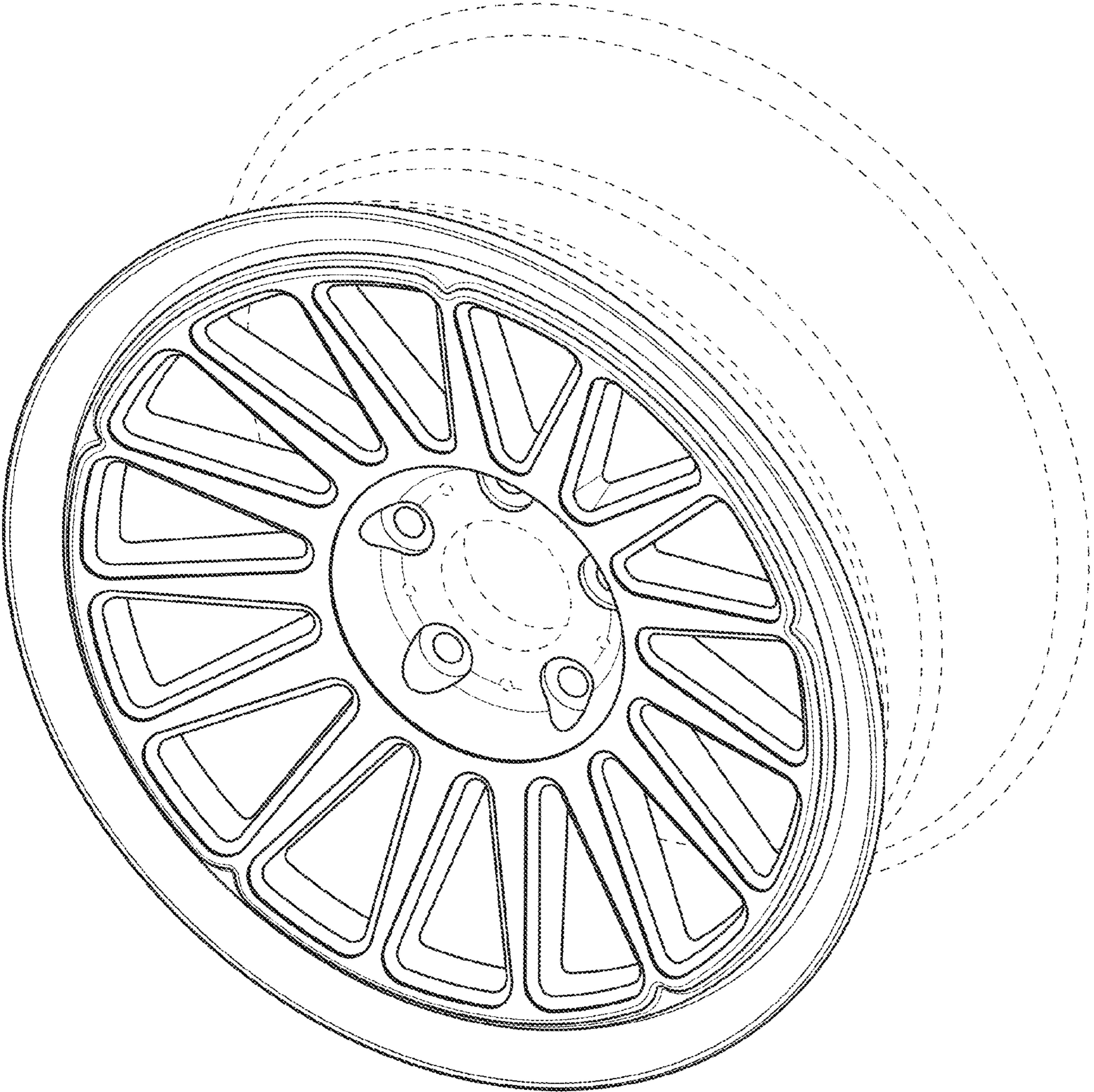


FIG. 1

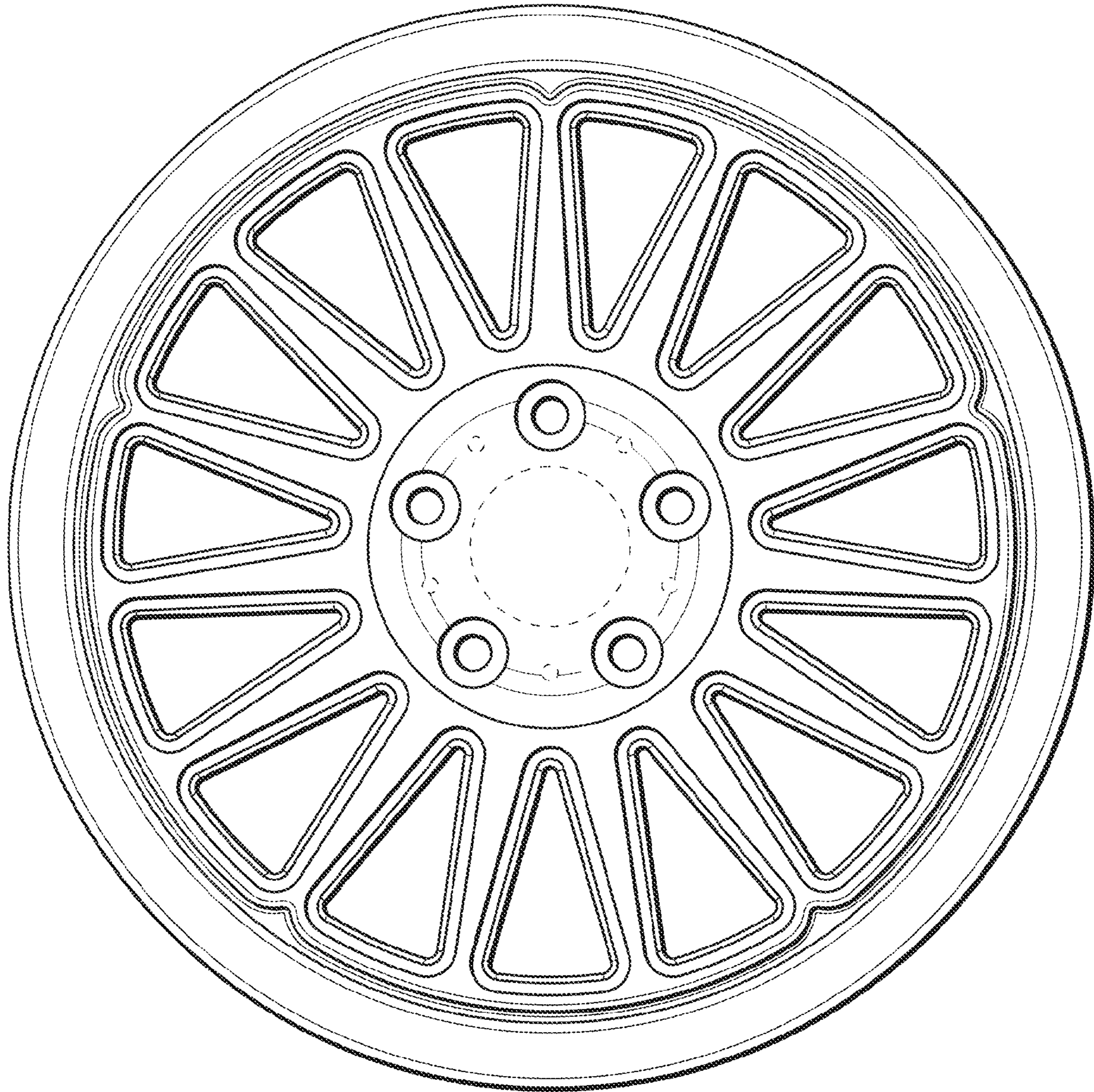


FIG. 2