



US00D894807S

(12) **United States Design Patent**
Parihar et al.

(10) **Patent No.:** **US D894,807 S**

(45) **Date of Patent:** **** Sep. 1, 2020**

(54) **EXHAUST STACK**

2016/0045848 A1* 2/2016 Campbell B01D 46/525
55/357

(71) Applicant: **Transportation IP Holdings, LLP**,
Norwalk, CT (US)

* cited by examiner

(72) Inventors: **Ravindra Parihar**, Bangalore (IN);
Balaji Hosadurgam Ravindranath,
Bangalore (IN); **Krishnamurthy**
Vaidyanathan, Bangalore (IN);
Ramesh Kumar, Bangalore (IN);
Mehmood Mohammad, Bangalore
(IN); **Andrew Theogift Jeyanth**
Selwyn Victor, Bangalore (IN);
Atmakur Raghusaraneesh, Bangalore
(IN)

Primary Examiner — Michael A. Pratt

(74) *Attorney, Agent, or Firm* — McCoy Russell LLP

(57) **CLAIM**

The ornamental design for an exhaust stack, as shown and
described.

DESCRIPTION

(73) Assignee: **TRANSPORTATION IP HOLDINGS,**
LLC, Norwalk, CT (US)

(**) Term: **15 Years**

(21) Appl. No.: **29/653,323**

(22) Filed: **Jun. 14, 2018**

(51) **LOC (12) Cl.** **12-16**

(52) **U.S. Cl.**
USPC **D12/194**

(58) **Field of Classification Search**
USPC D12/194; D15/5
CPC F01N 2590/08; B64D 33/04; B64D
2033/045; B61C 5/04

See application file for complete search history.

(56) **References Cited**

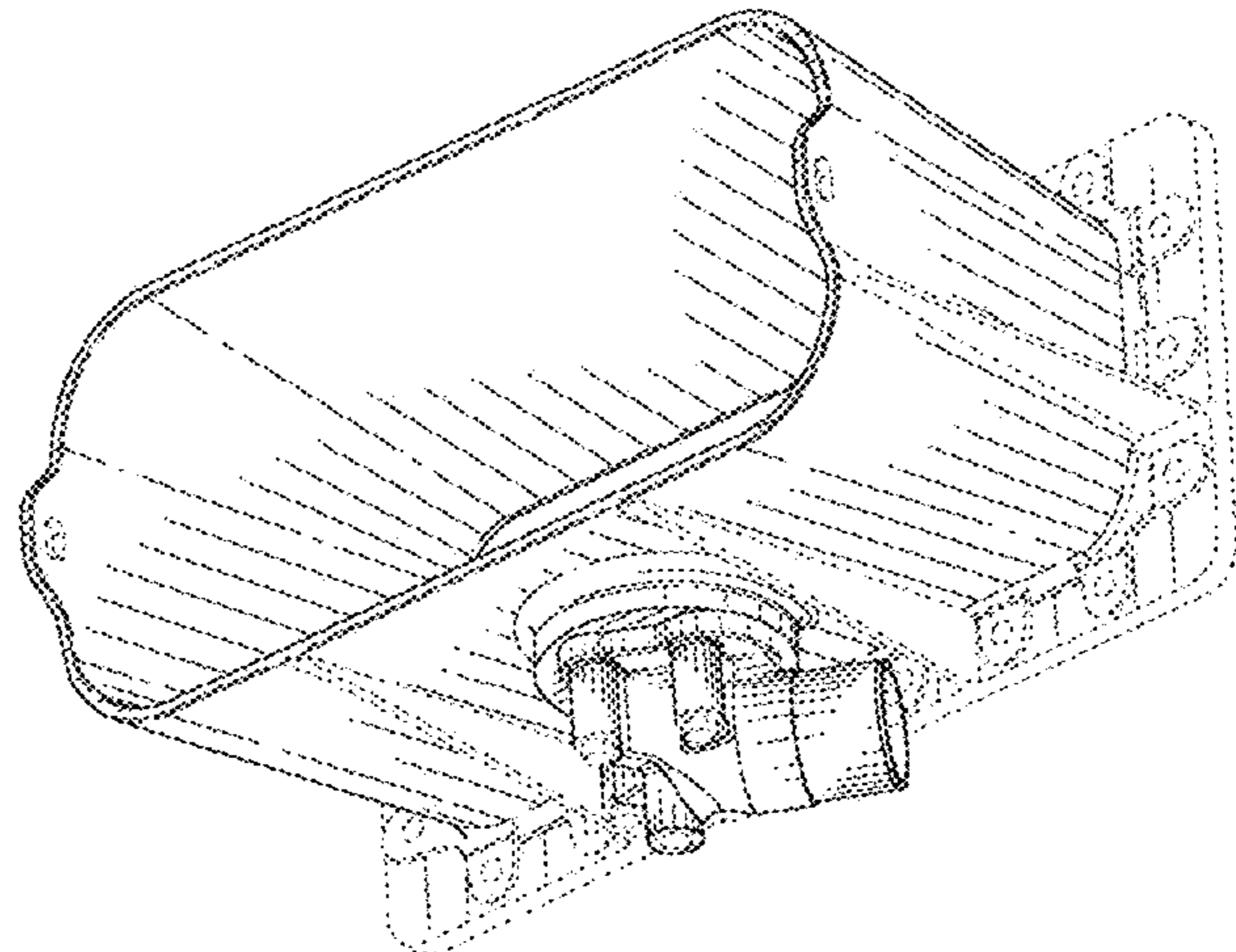
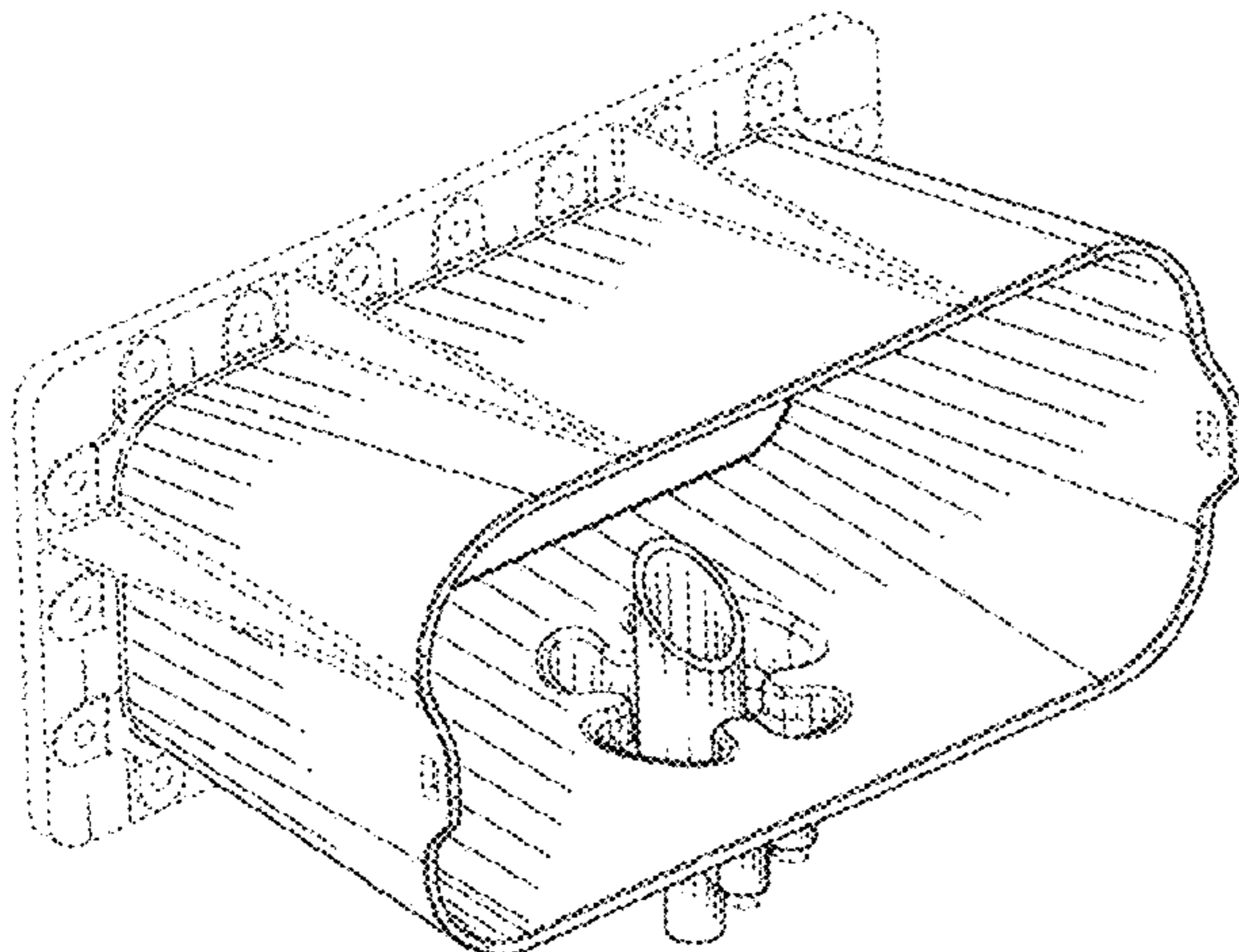
U.S. PATENT DOCUMENTS

D694,689 S *	12/2013	Maholick	D12/194
D720,670 S *	1/2015	Maholick	D12/194
D745,840 S *	12/2015	Maholick	D12/194
D836,513 S *	12/2018	Kanzal Venkatesha	D12/194
2005/0268595 A1 *	12/2005	Steyer	B64D 33/04 60/204

FIG. 1 is a perspective view of an exhaust stack according
to a first embodiment of the invention;
FIG. 2 is a second perspective view thereof;
FIG. 3 is a front view thereof;
FIG. 4 is a rear view thereof;
FIG. 5 is a left view thereof;
FIG. 6 is a right view thereof;
FIG. 7 is a top view thereof;
FIG. 8 is a bottom view thereof;
FIG. 9 is a first cross-sectional view thereof, taken along line
9-9 in FIG. 3; and,
FIG. 10 is a second cross-sectional view thereof, taken along
line **10-10** in FIG. 3.
FIG. 11 is a perspective view of an exhaust stack according
to a second embodiment of the invention;
FIG. 12 is a second perspective view thereof;
FIG. 13 is a front view thereof;
FIG. 14 is a rear view thereof;
FIG. 15 is a left view thereof;
FIG. 16 is a right view thereof;
FIG. 17 is a top view thereof;
FIG. 18 is a bottom view thereof;
FIG. 19 is a first cross-sectional view thereof, taken along
line **19-19** in FIG. 13; and,
FIG. 20 is a second cross-sectional view thereof, taken along
line **20-20** in FIG. 13.

The broken line portion of the figures is included to show
unclaimed subject matter only and forms no part of the
claimed designs.

1 Claim, 10 Drawing Sheets



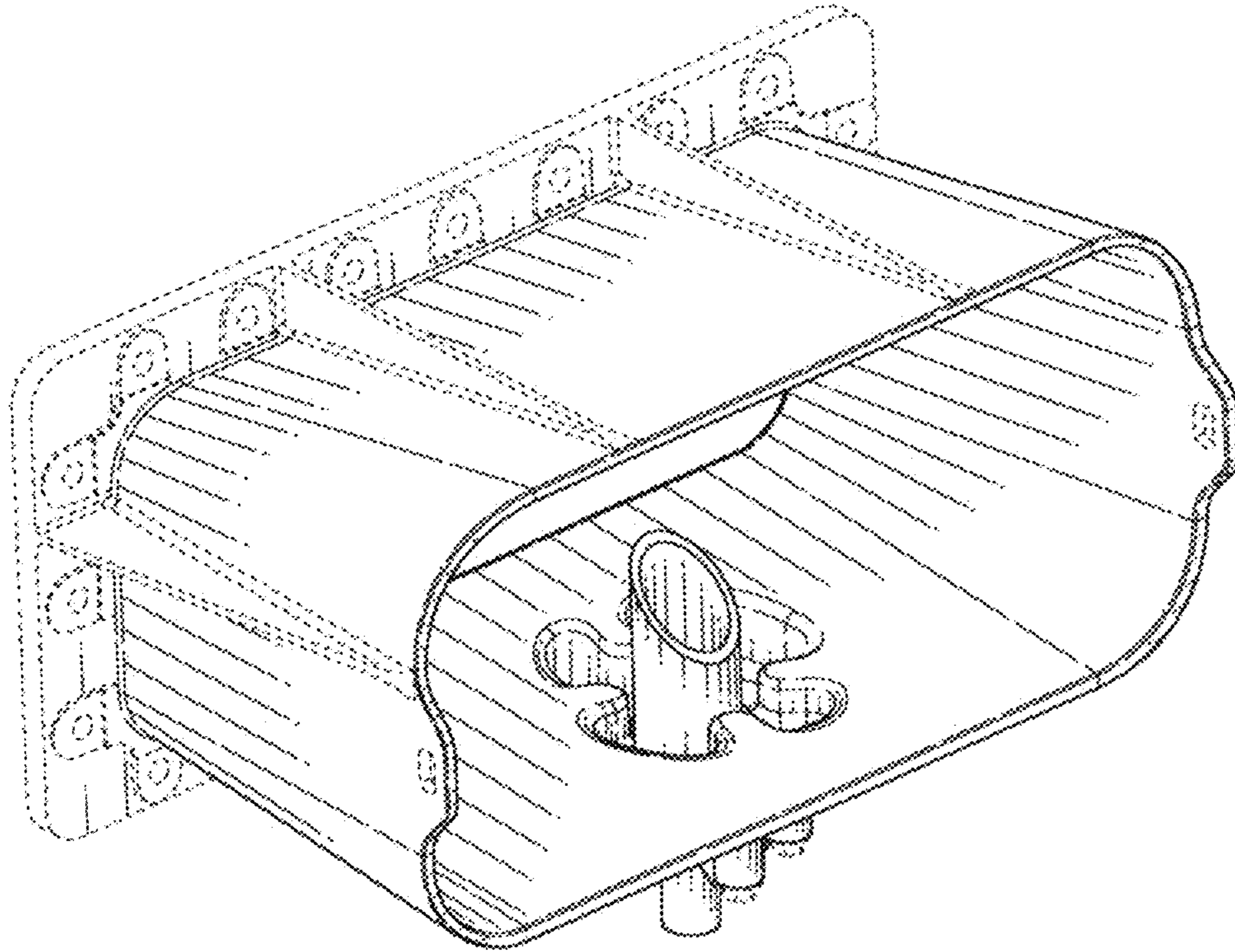


FIG. 1

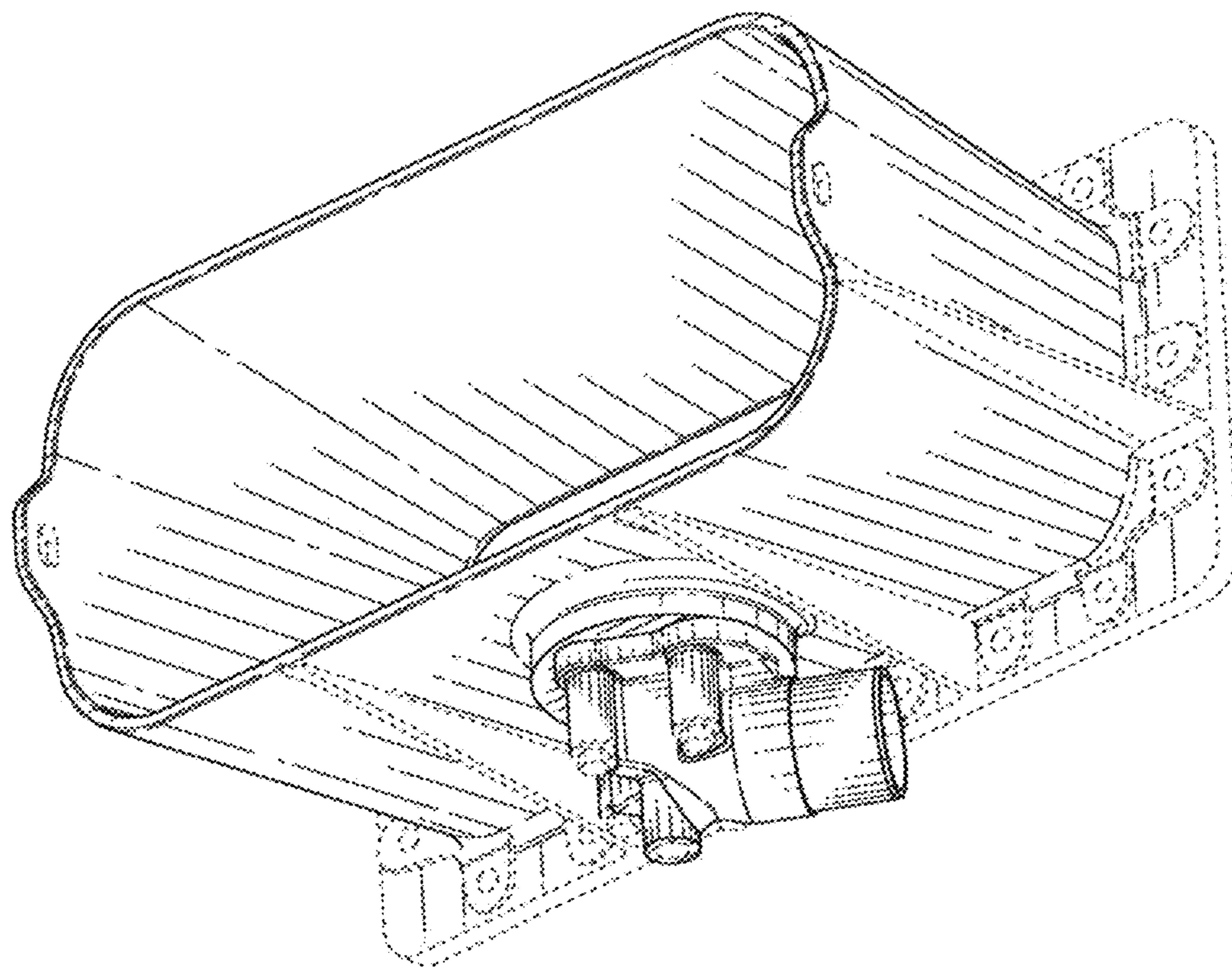


FIG. 2

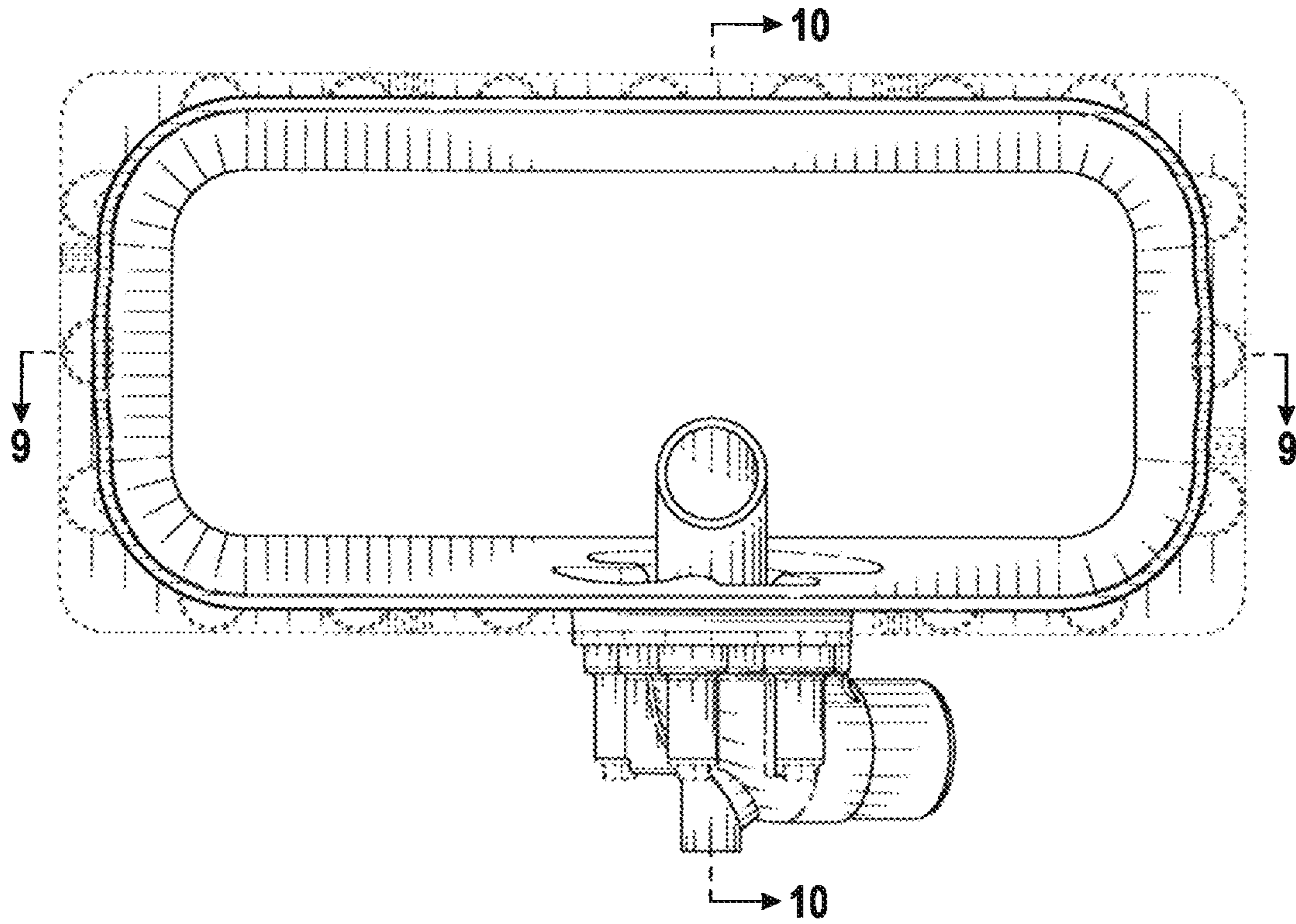


FIG. 3

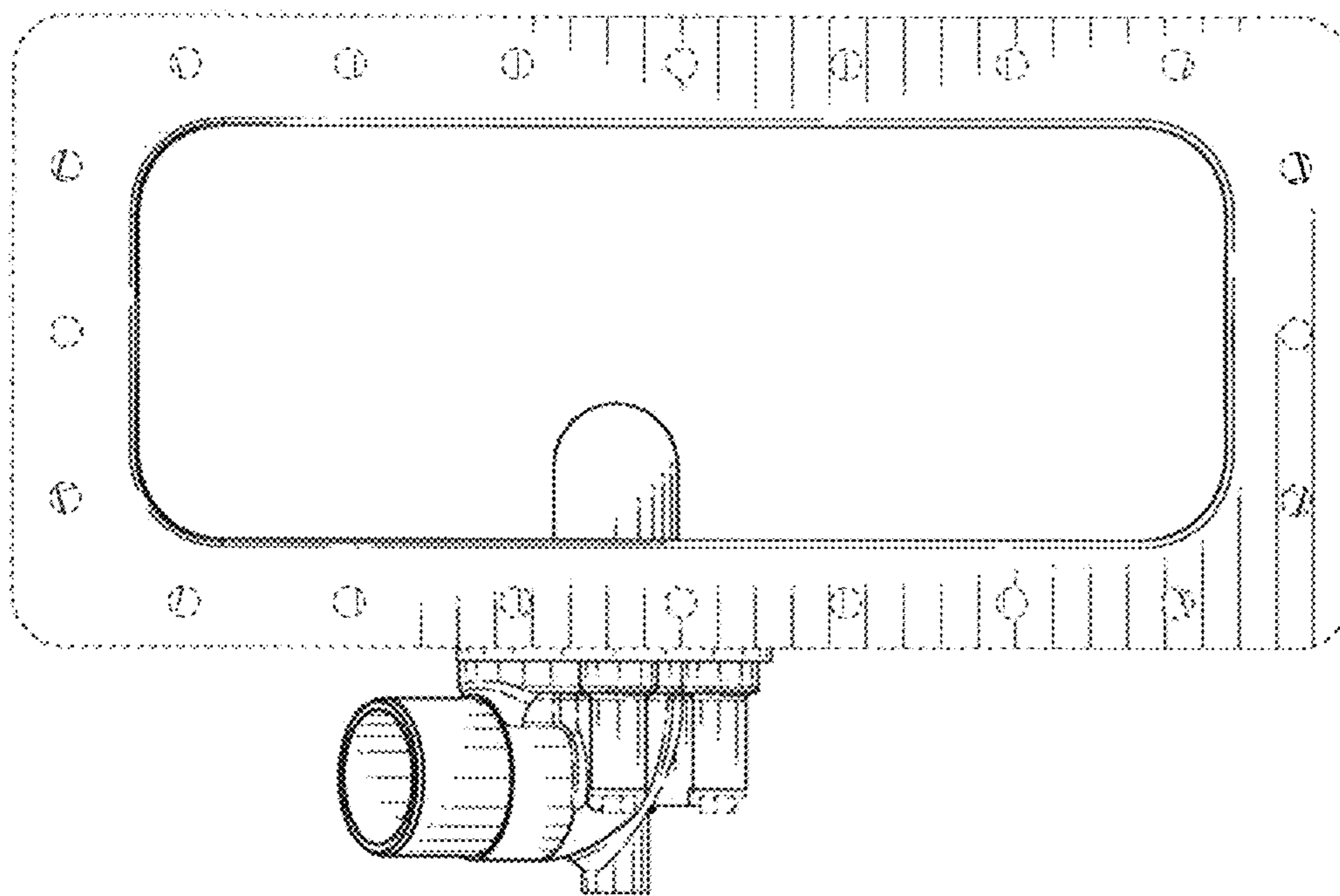


FIG. 4

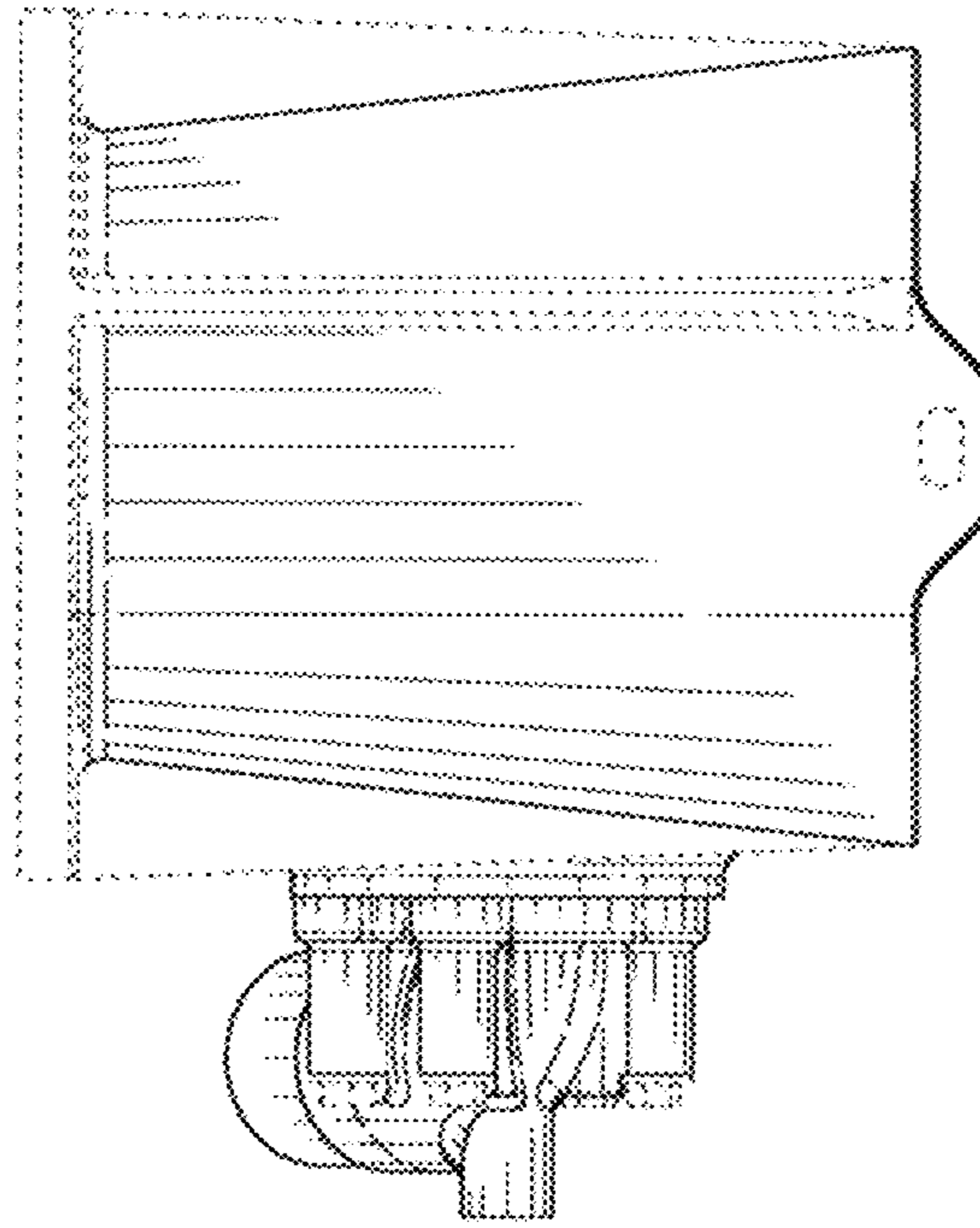


FIG. 5

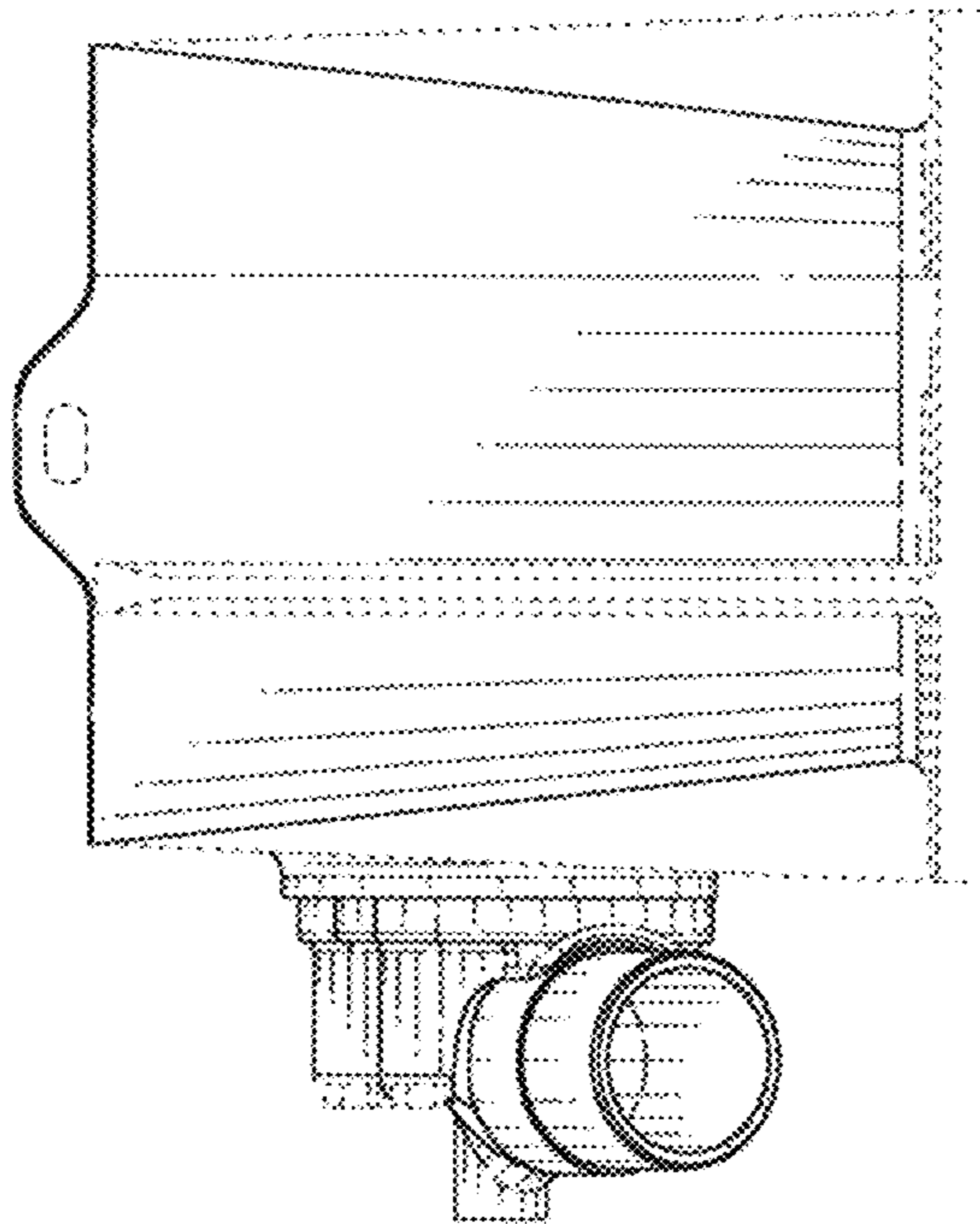


FIG. 6

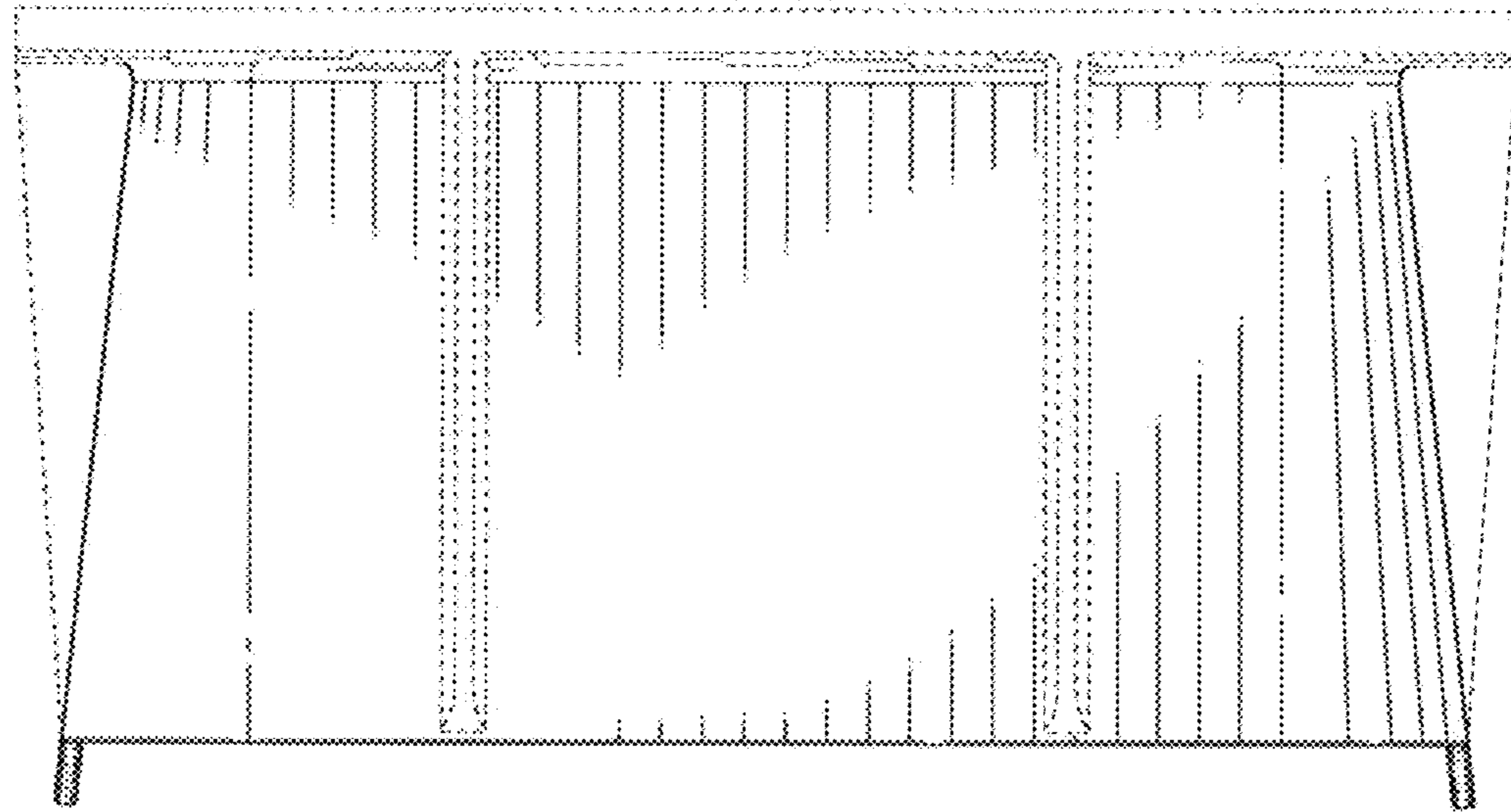


FIG. 7

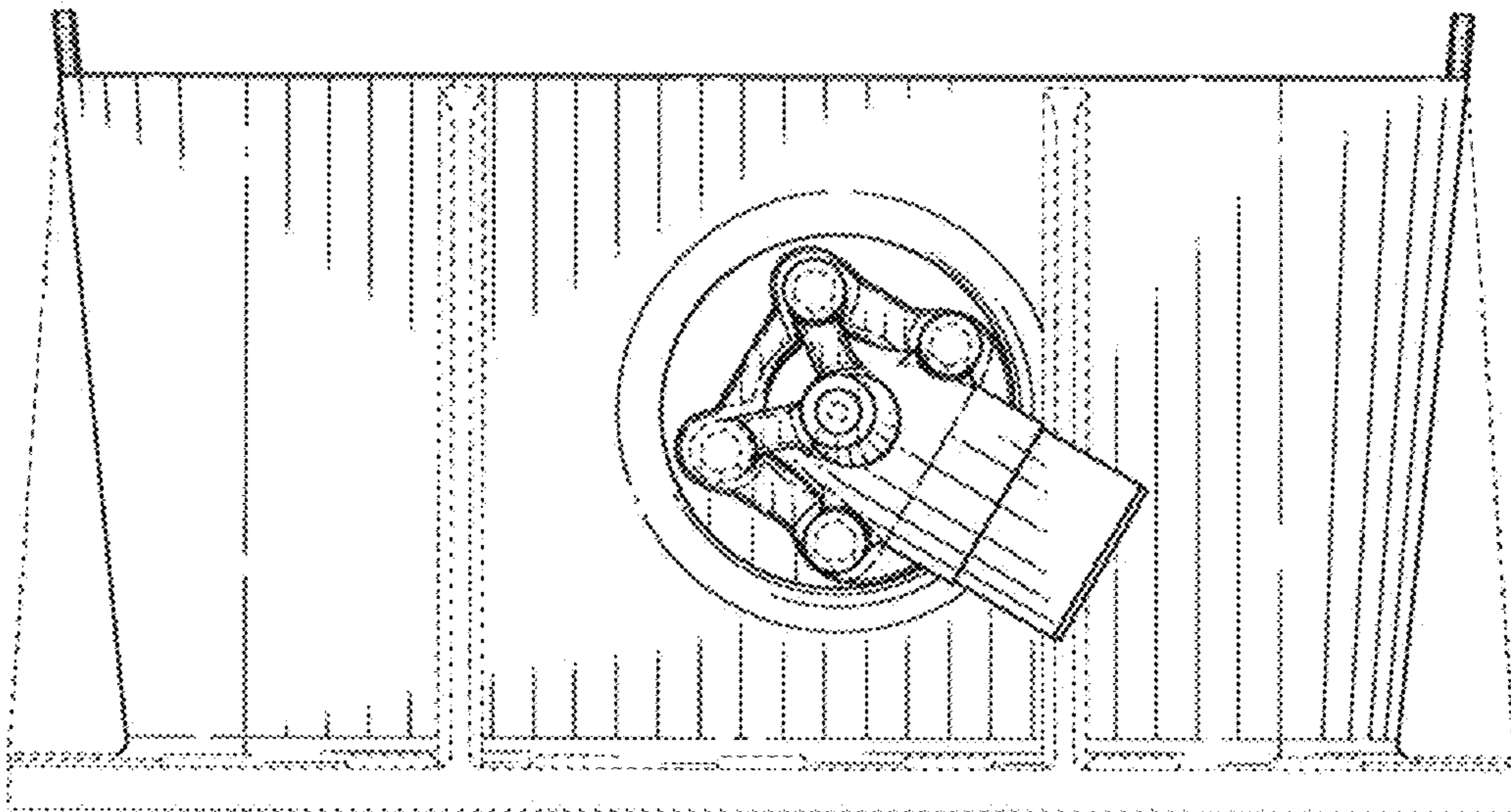


FIG. 8

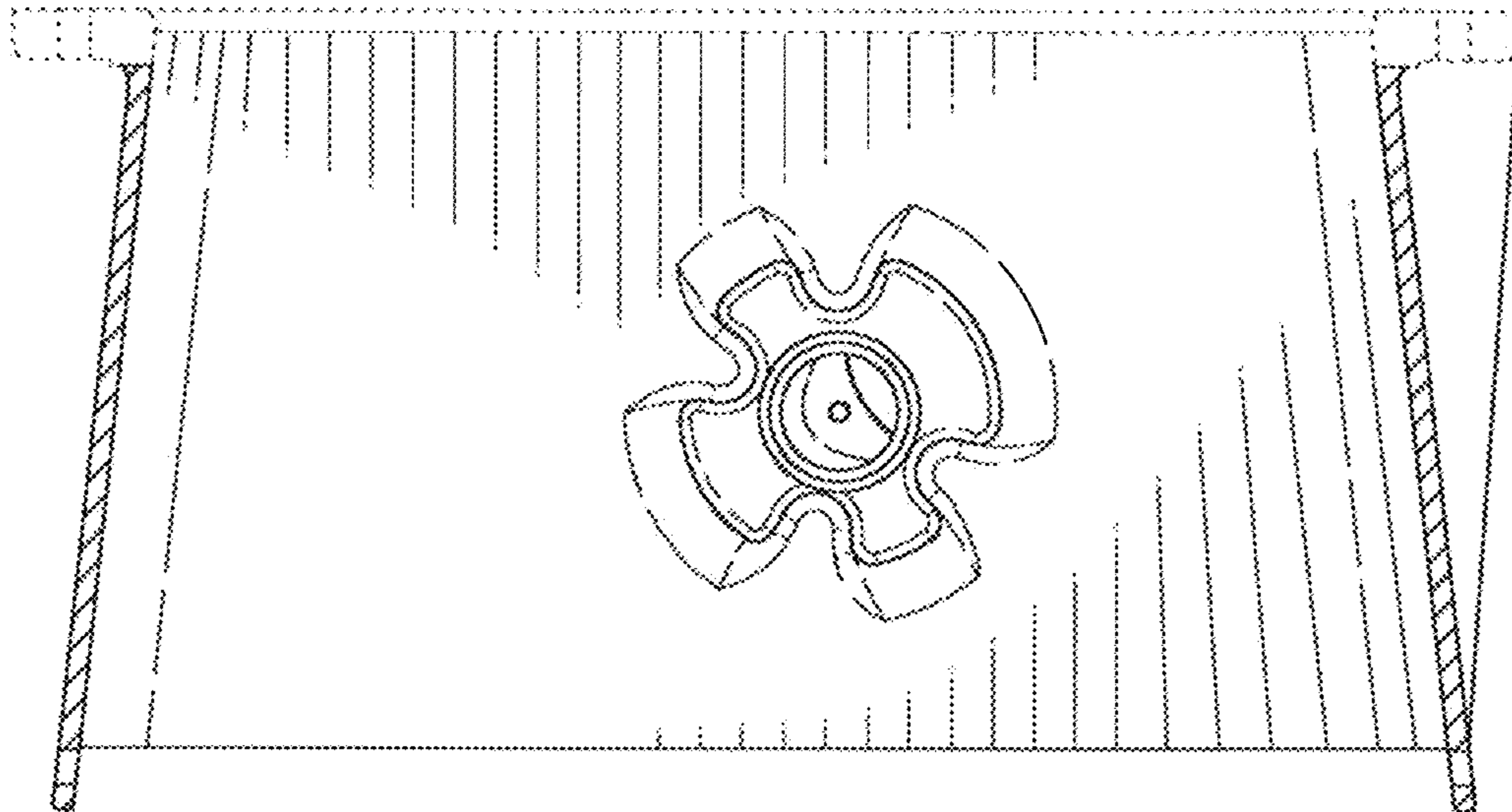


FIG. 9

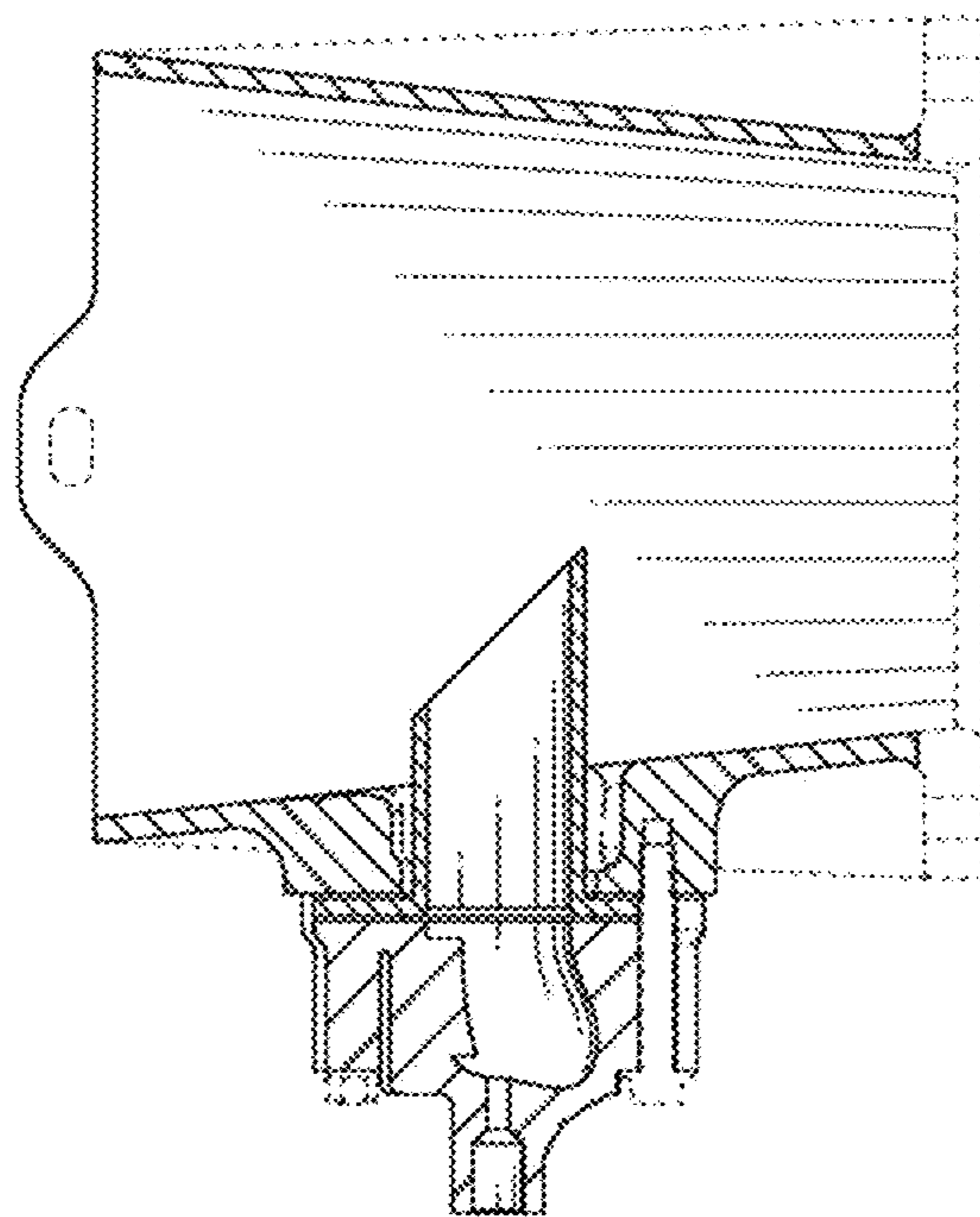


FIG. 10

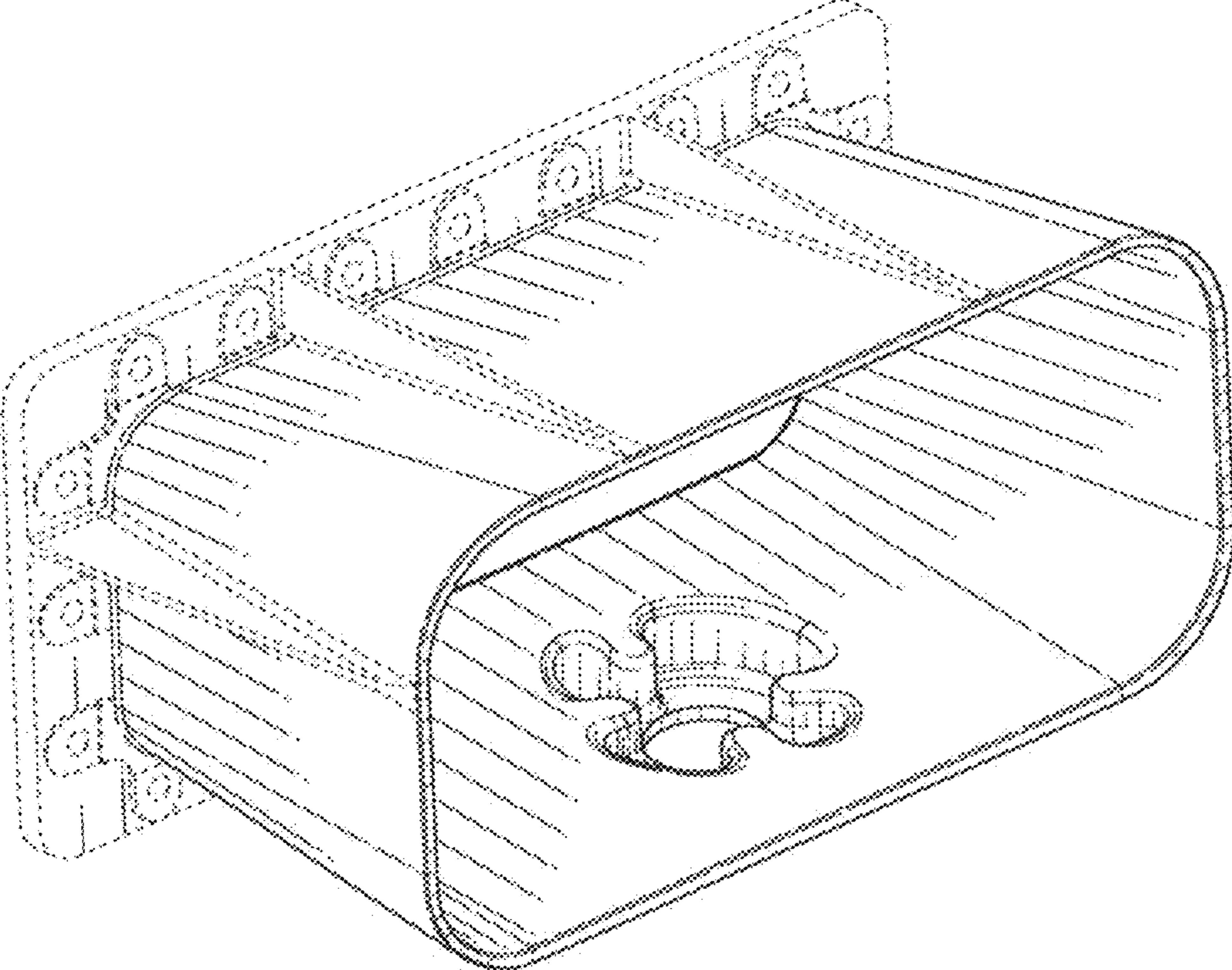


FIG. 11

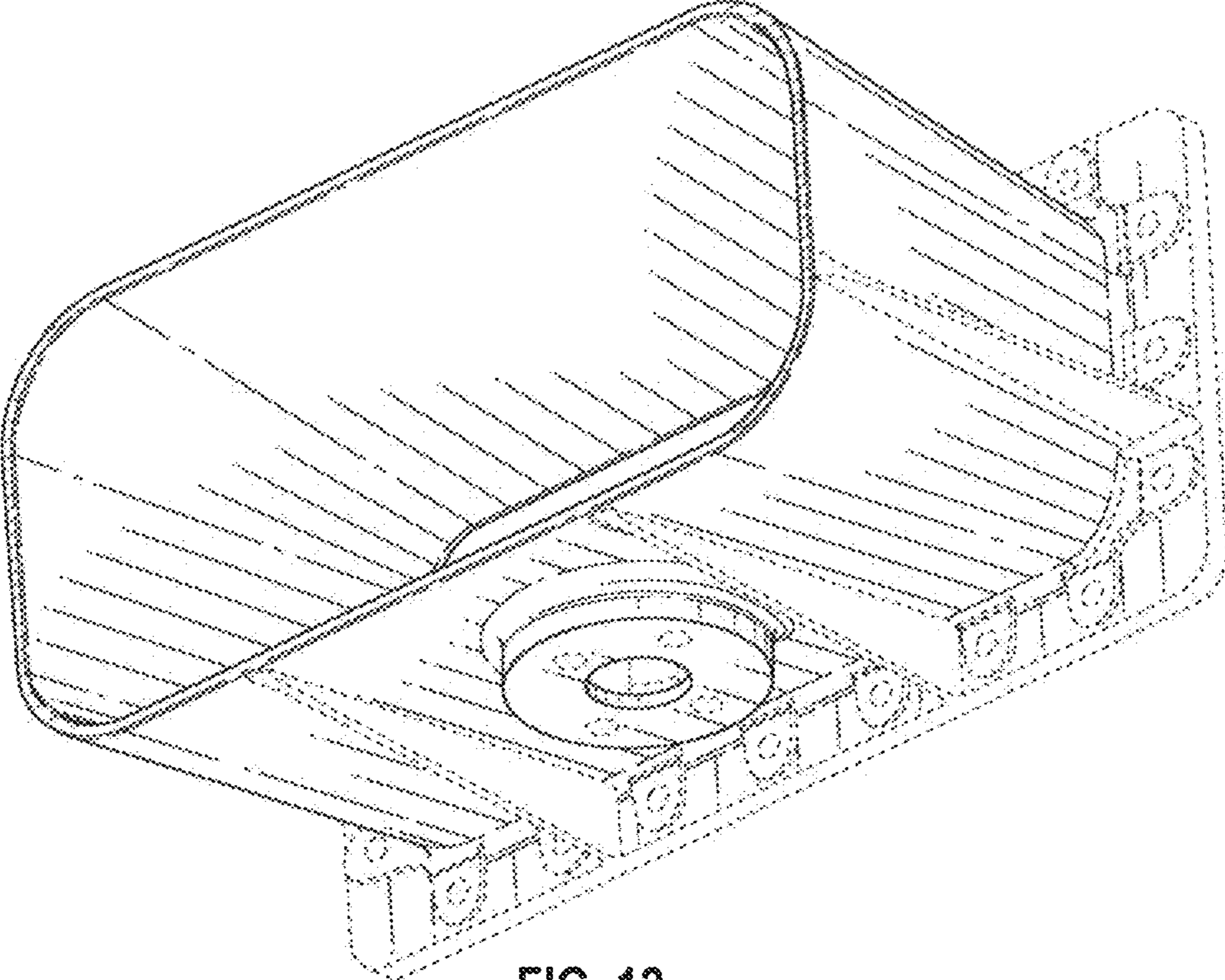
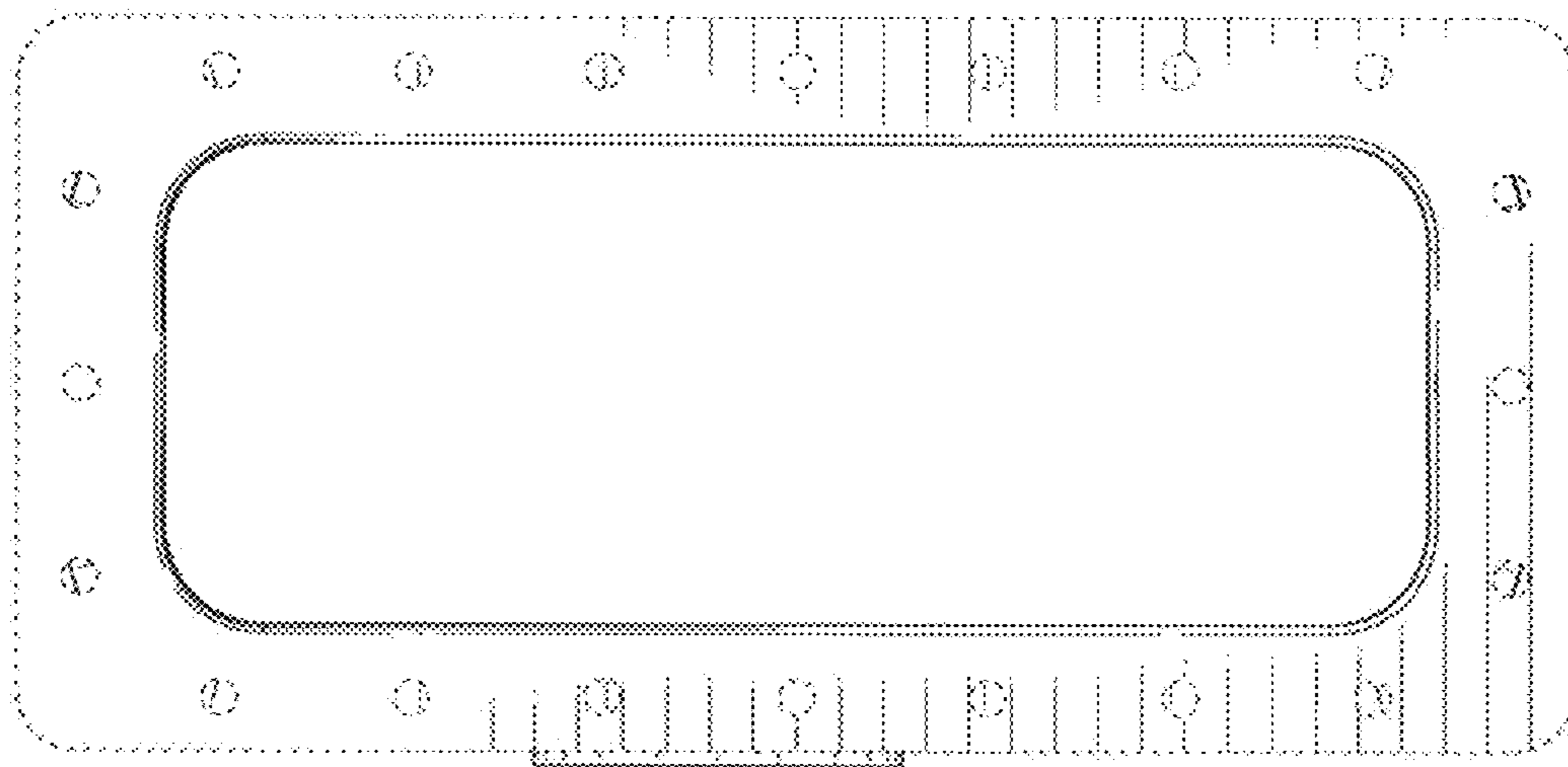
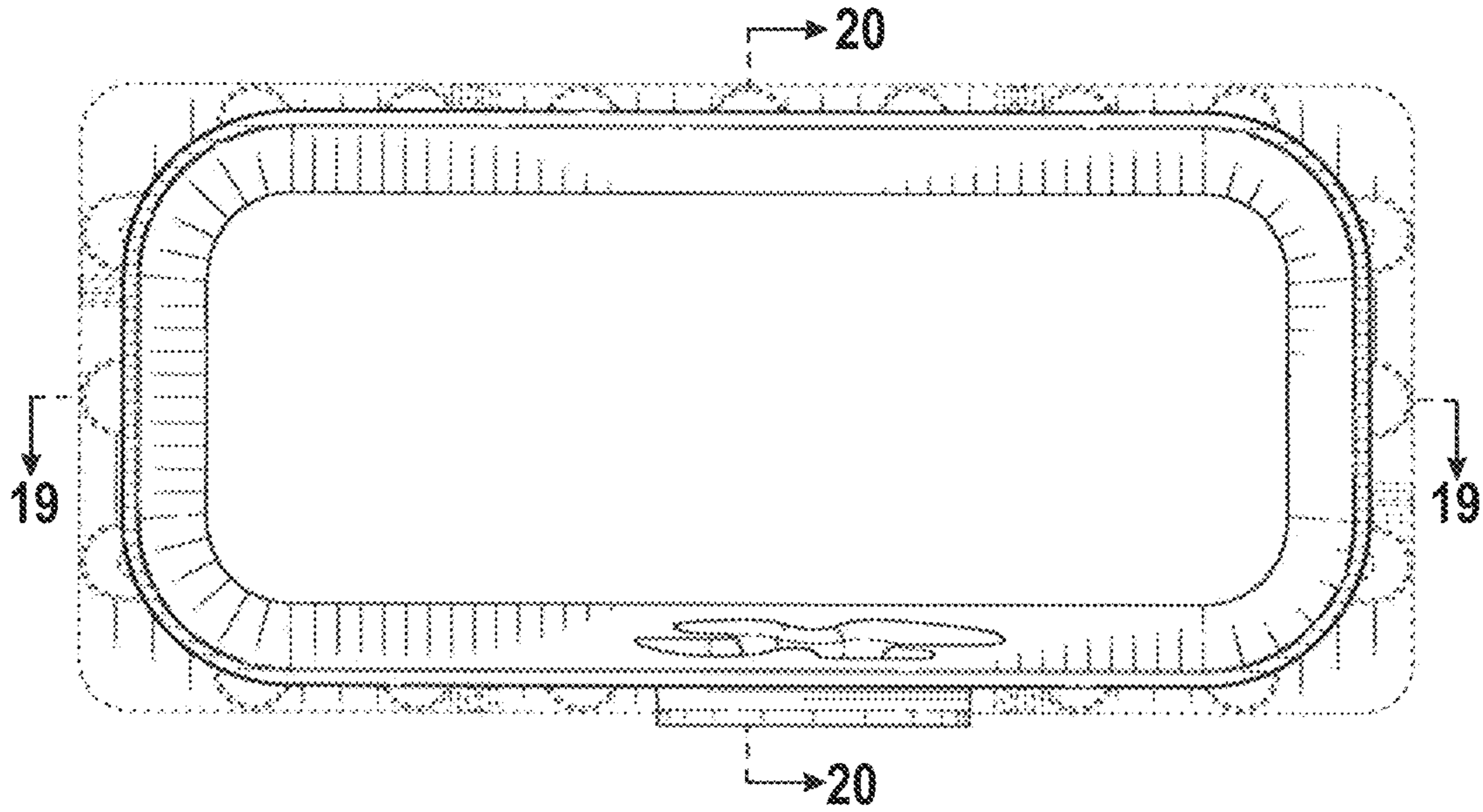


FIG. 12



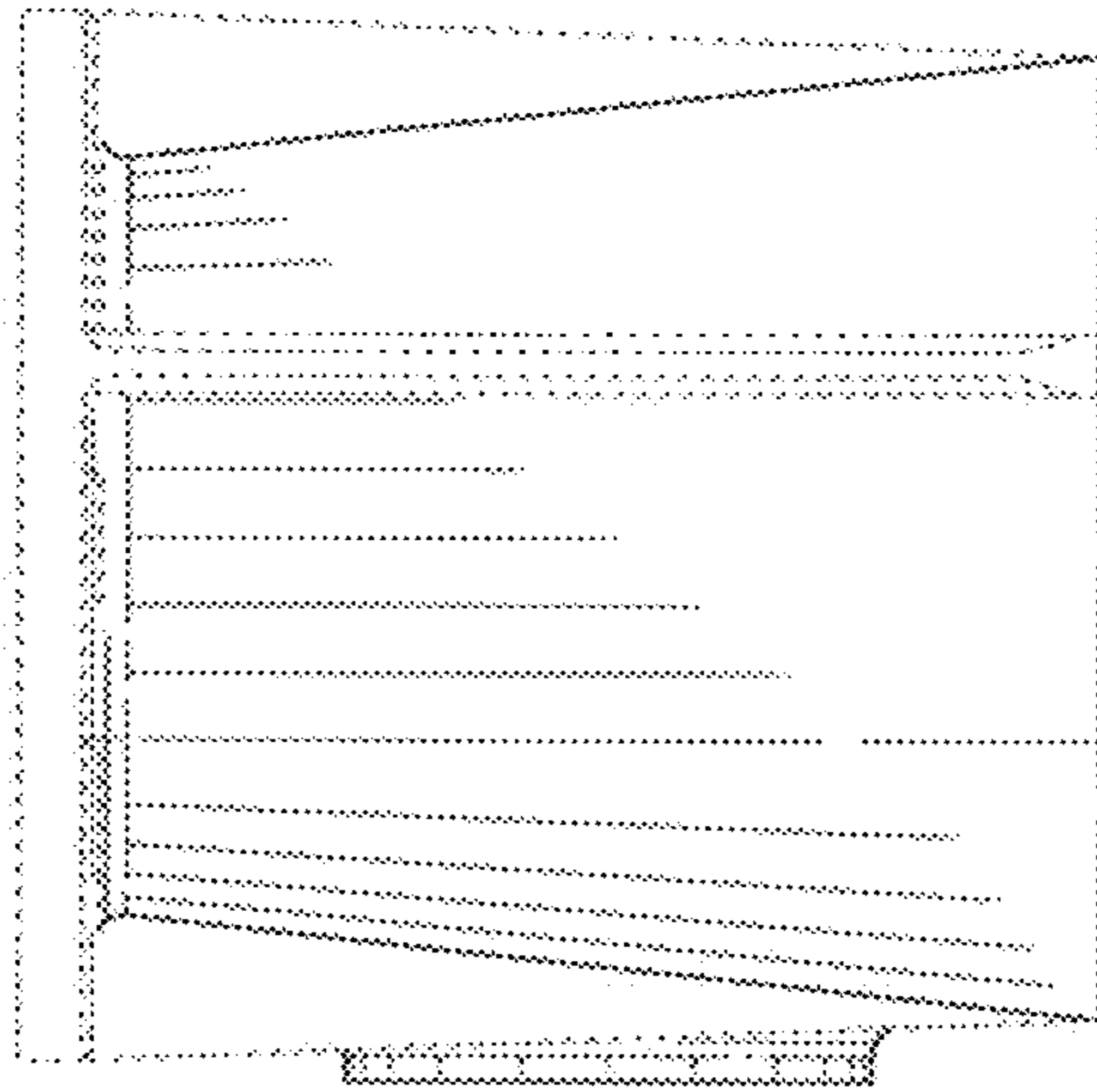


FIG. 15

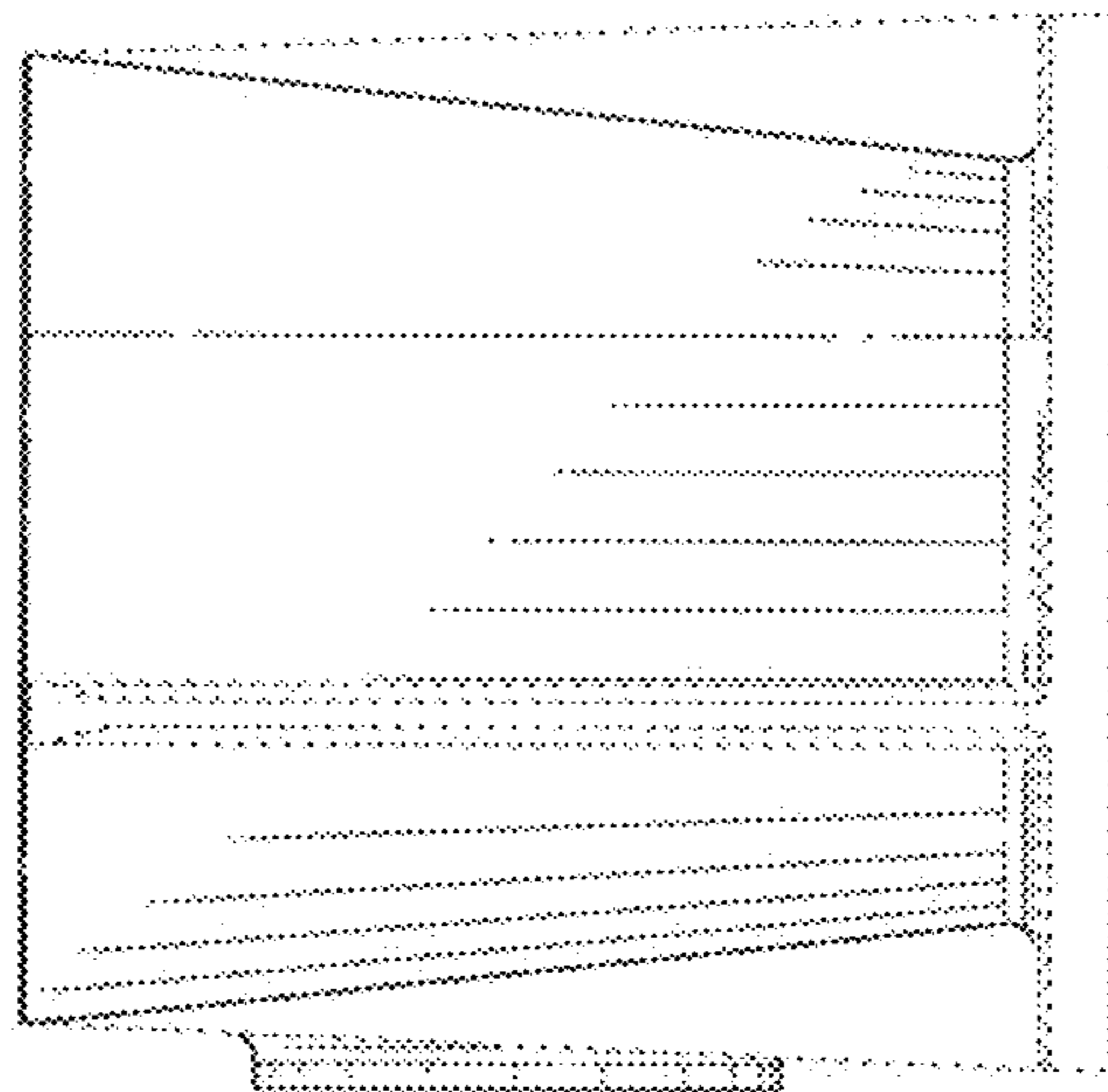


FIG. 16

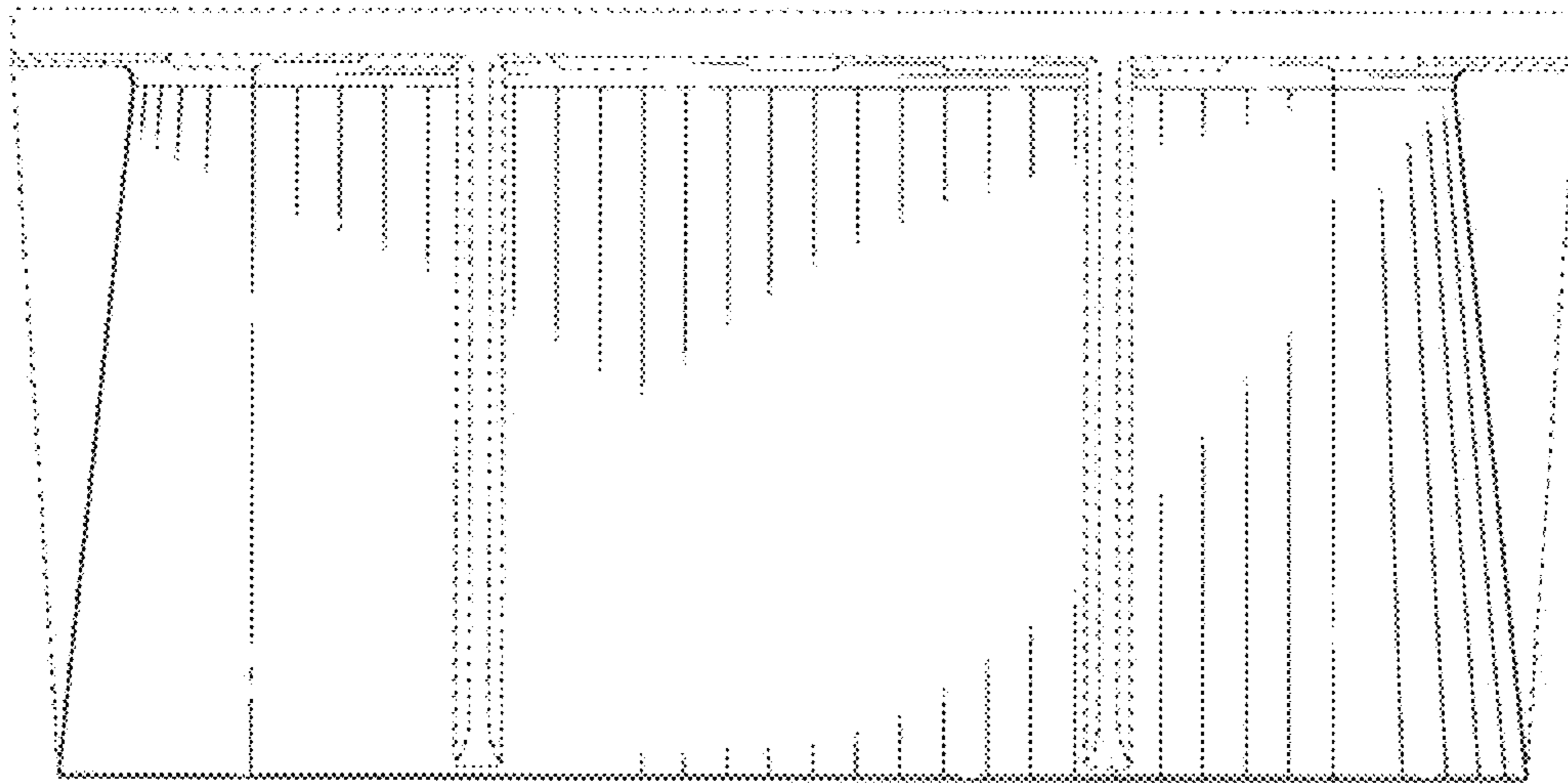


FIG. 17

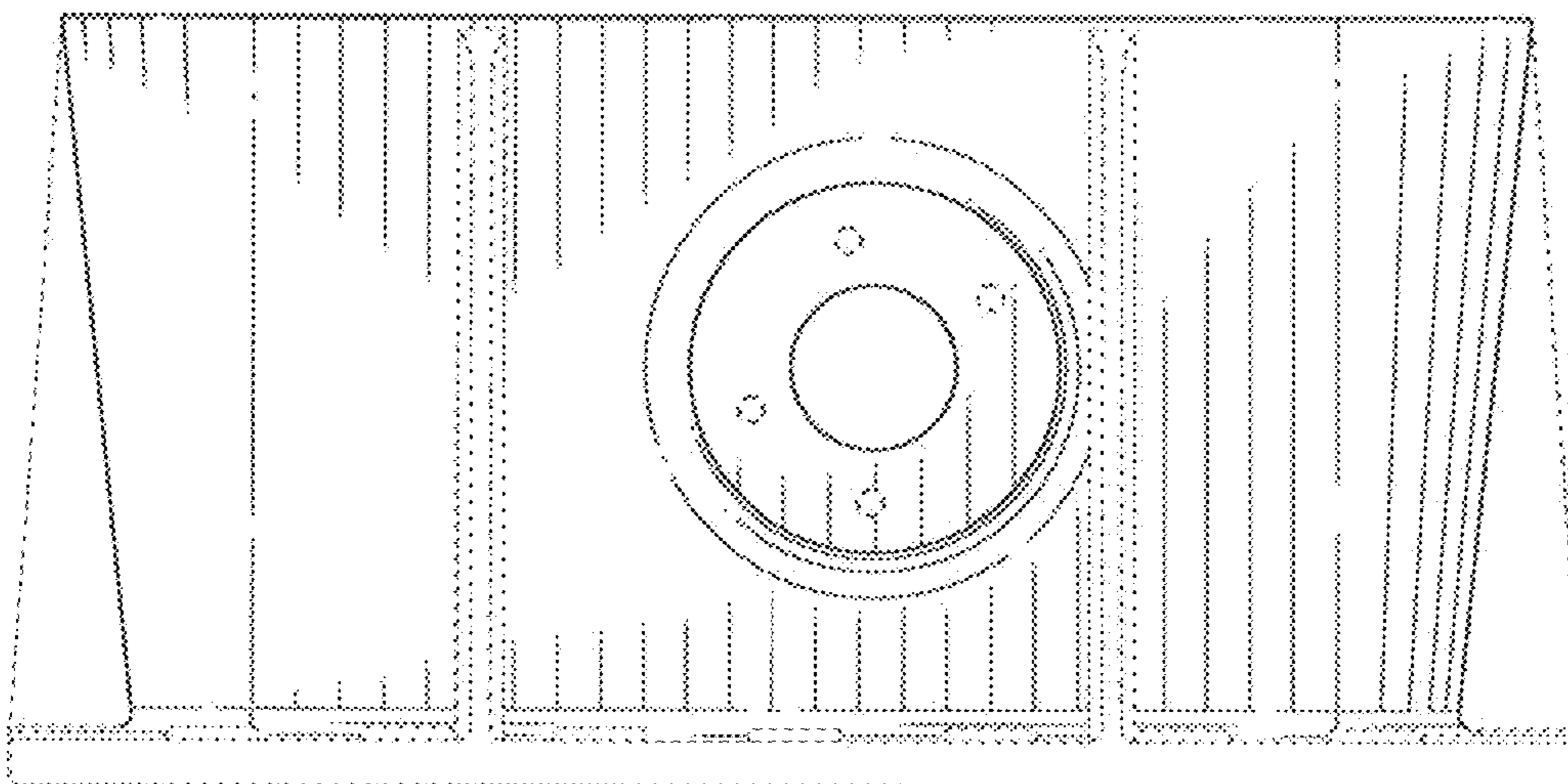


FIG. 18

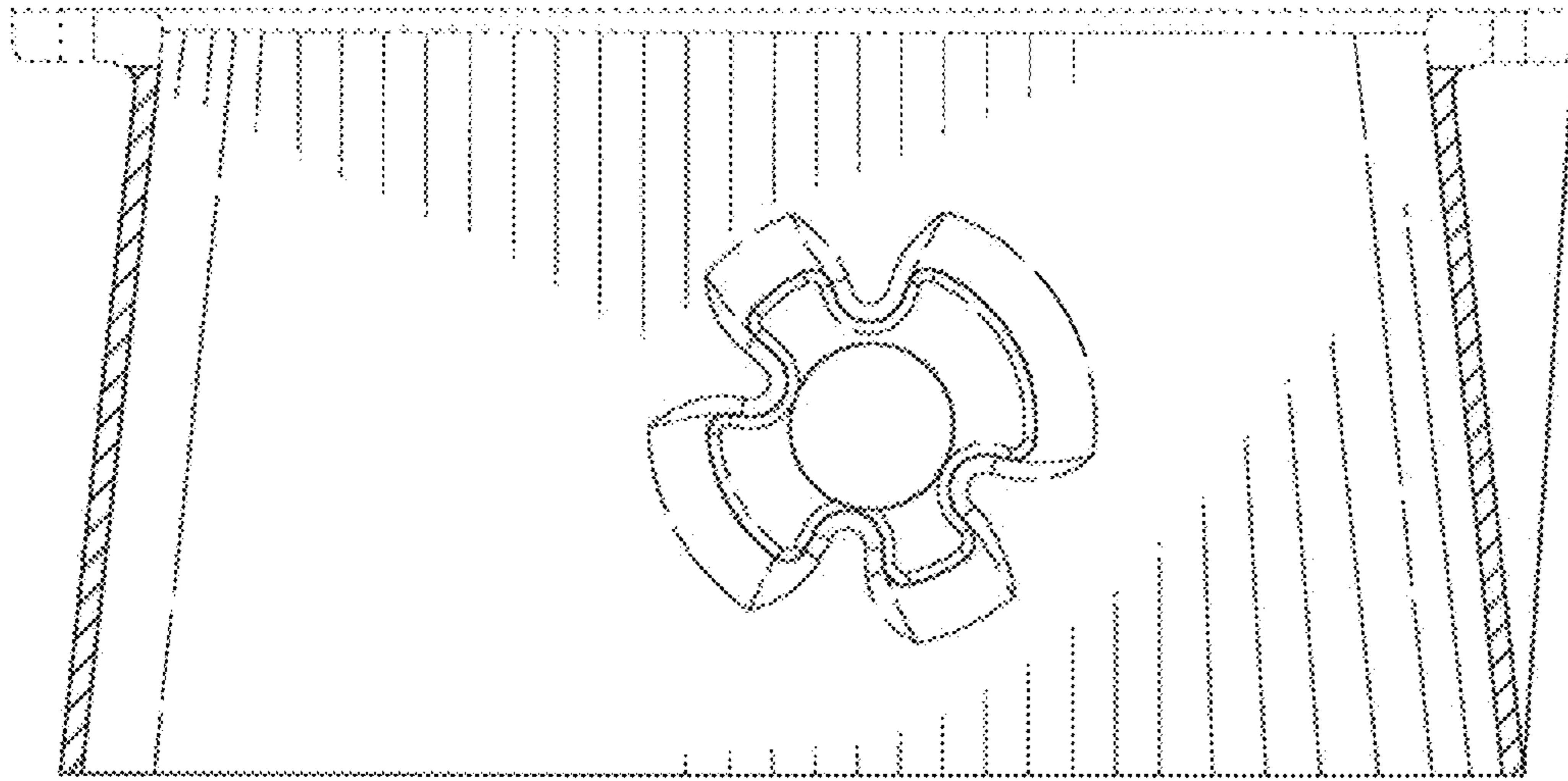


FIG. 19

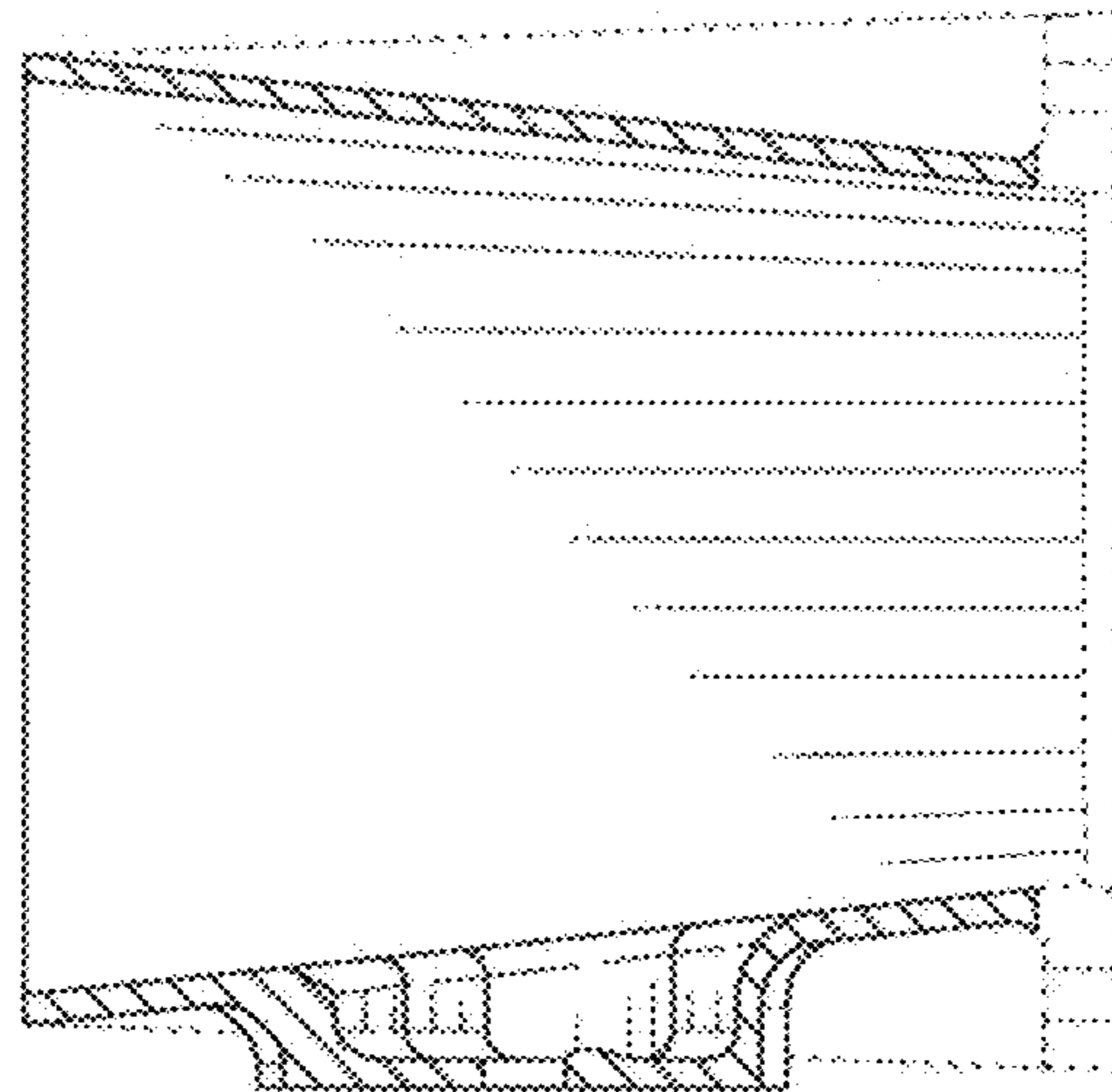


FIG. 20