



US00D894806S

(12) **United States Design Patent**
Guo

(10) **Patent No.:** **US D894,806 S**

(45) **Date of Patent:** **** Sep. 1, 2020**

(54) **SOLAR WIRELESS DIGITAL REAR-VIEW MIRROR**

(71) Applicant: **Feng Guo**, Lufeng (CN)

(72) Inventor: **Feng Guo**, Lufeng (CN)

(73) Assignee: **SHENZHEN AUTO-VOX TECHNOLOGY CO., LTD.**, Shenzhen (CN)

(**) Term: **15 Years**

(21) Appl. No.: **29/694,446**

(22) Filed: **Jun. 11, 2019**

(51) **LOC (12) Cl.** **12-16**

(52) **U.S. Cl.**
USPC **D12/187**; D12/193; D16/203

(58) **Field of Classification Search**
USPC D6/300-314; D12/187, 188; D16/203, D16/208
CPC B60R 11/04; B60R 2001/1253; B60R 2011/0033; G07C 5/0891
See application file for complete search history.

(56) **References Cited**

U.S. PATENT DOCUMENTS

D206,924 S *	2/1967	Prouty et al.	D6/308
D396,439 S *	7/1998	Turnquest	D12/193
D411,499 S *	6/1999	Porter	D12/193
D496,312 S *	9/2004	Sybilrud	D12/193
D537,765 S *	3/2007	Porter	D12/193
D577,050 S *	9/2008	Dayan	D16/218
D578,049 S *	10/2008	Son	D12/193
D591,054 S *	4/2009	Erickson	D6/308
D596,545 S *	7/2009	Son	D12/193
D644,973 S *	9/2011	Miyawaki	D12/193
D672,297 S *	12/2012	Dong	D12/193
D692,815 S *	11/2013	Chung	D12/193
D834,476 S *	11/2018	Tang	D12/187
D834,751 S *	11/2018	Kaiser	D28/64.2

D835,348 S *	12/2018	Kaiser	D28/64.2
10,324,366 B2 *	6/2019	Batten	B60R 11/04
D853,292 S *	7/2019	Maeda	D12/193
D853,463 S *	7/2019	Batten	D16/208
D871,988 S *	1/2020	Wang	D12/193
D875,629 S *	2/2020	Alesi	D12/193
D875,811 S *	2/2020	Xiong	D16/208
2005/0198876 A1 *	9/2005	Chang	B60R 11/04 40/209

(Continued)

FOREIGN PATENT DOCUMENTS

CN 305453636 * 11/2019

OTHER PUBLICATIONS

Pearl Rear Vision wireless rearview camera review, available Apr. 20, 2017, [online], [site visited May 11, 2020]. Available from internet, URL: <https://the-gadgeteer.com/2017/04/20/pearl-rearvision-wireless-rearview-camera-review/> (Year: 2017).*

(Continued)

Primary Examiner — W. A. Teddy Falloway

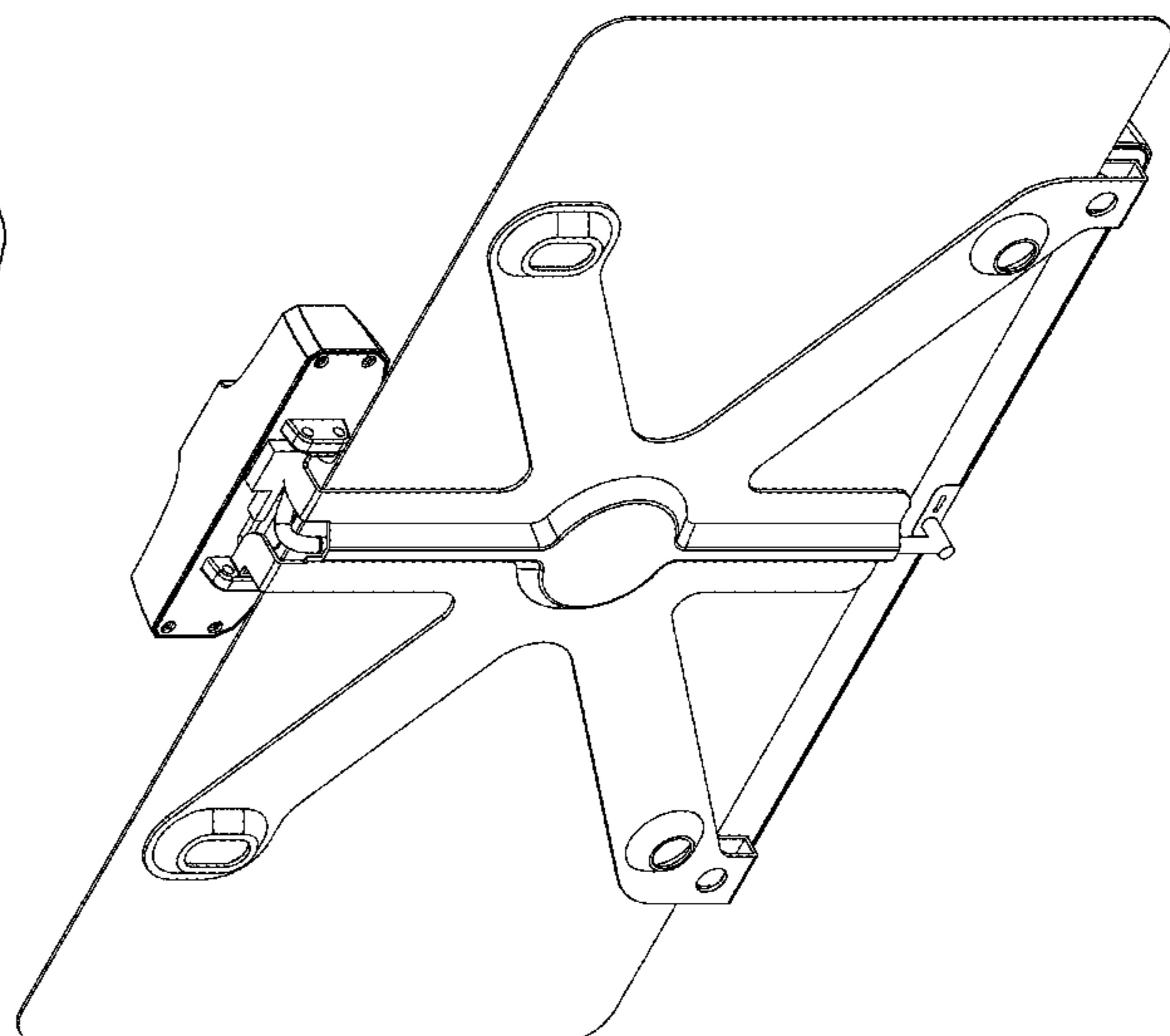
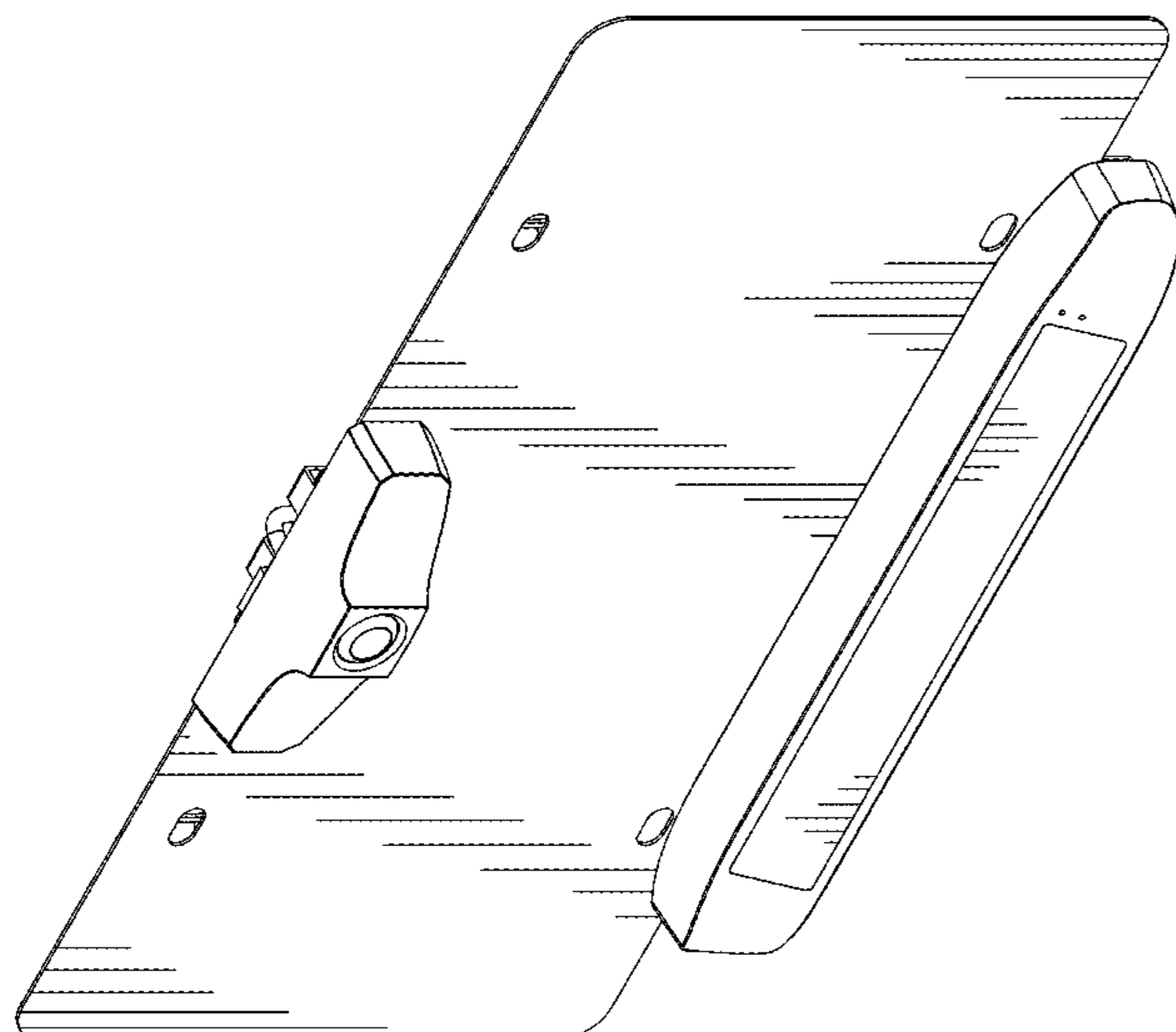
(57) **CLAIM**

The ornamental design for a solar wireless digital rear-view mirror, as shown and described.

DESCRIPTION

FIG. 1 is a perspective view of a solar wireless digital rear-view mirror showing my new design; FIG. 2 is a front elevational view thereof; FIG. 3 is a top plan view thereof; FIG. 4 is a left side elevational view thereof; FIG. 5 is a rear elevational view thereof; FIG. 6 is a right side view thereof; FIG. 7 is a bottom plan view thereof; and, FIG. 8 is a perspective reference view thereof.

1 Claim, 8 Drawing Sheets



(56)

References Cited

U.S. PATENT DOCUMENTS

2009/0002491 A1* 1/2009 Haler H04N 5/2251
348/148
2009/0128687 A1* 5/2009 Woo B60R 11/04
348/373
2009/0166488 A1* 7/2009 Luft B60R 11/04
248/205.1
2019/0113833 A1* 4/2019 Batten H04N 5/2252
2019/0250498 A1* 8/2019 Batten B60R 11/04

OTHER PUBLICATIONS

Auto-Vox Solar-1 Wireless Backup Camera System, available May 11, 2020, [online], [site visited May 11, 2020]. Available from internet, URL: <https://www.qualitymobilevideo.com/solar-1.html> (Year: 2020).*

* cited by examiner

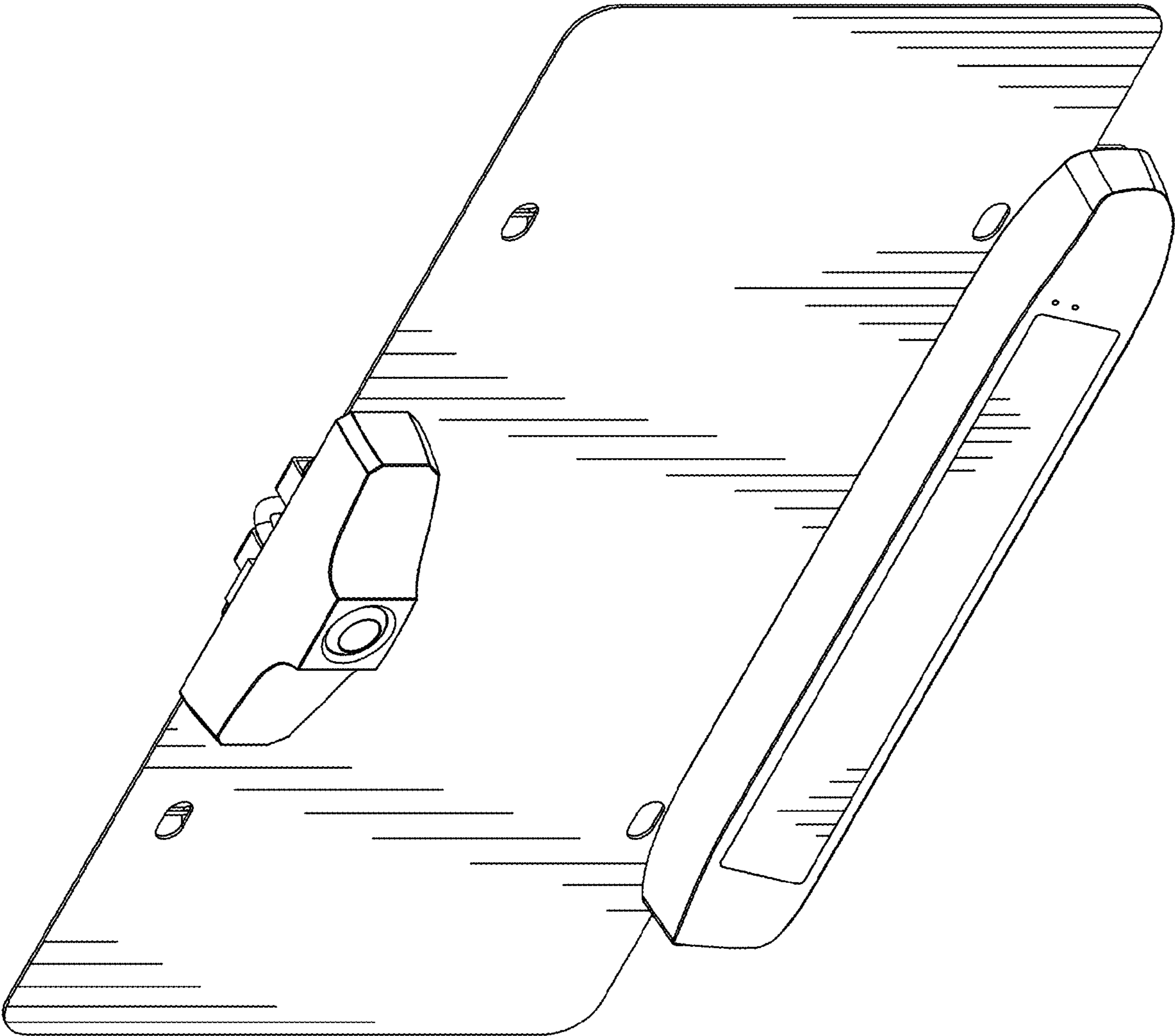


FIG. 1

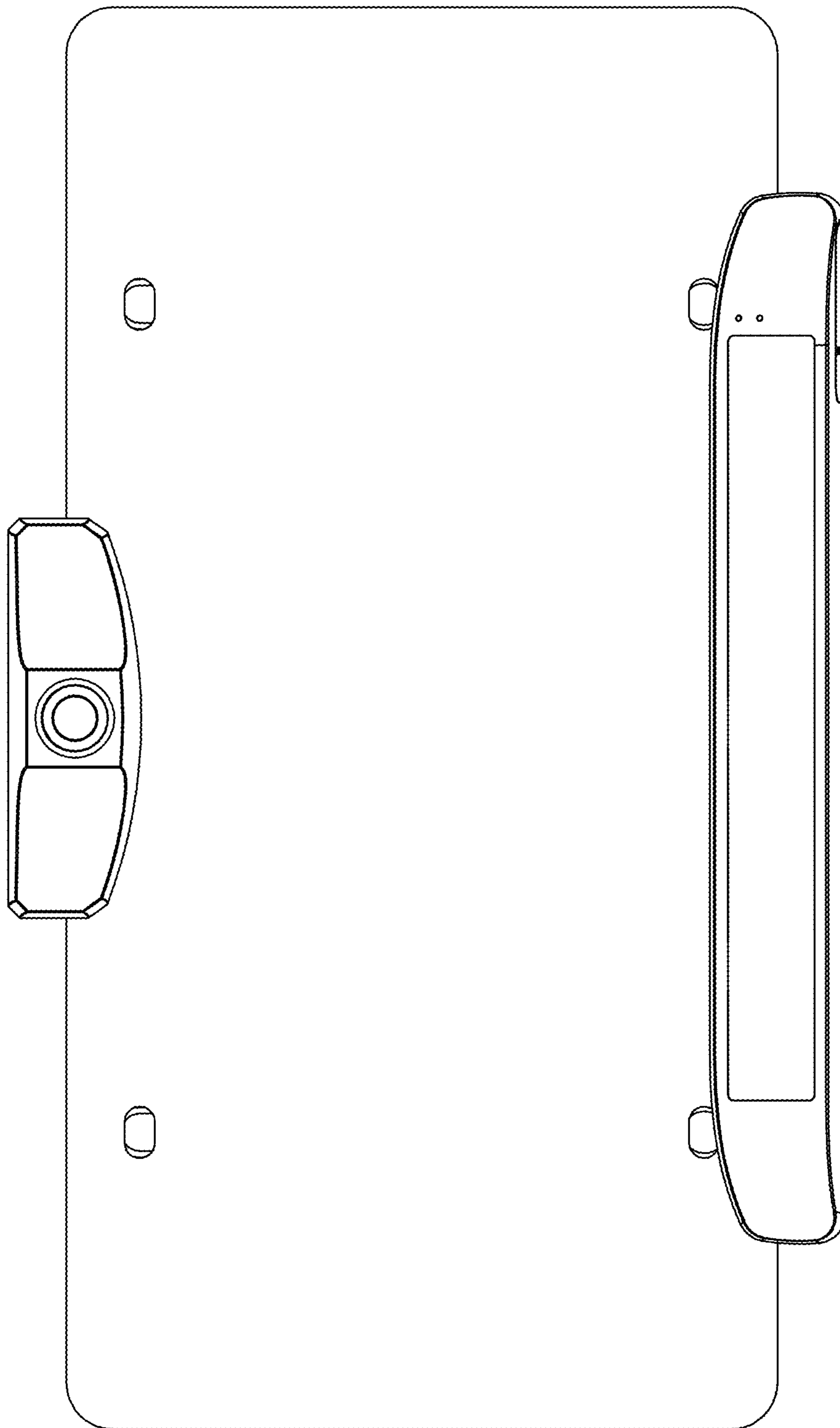


FIG. 2

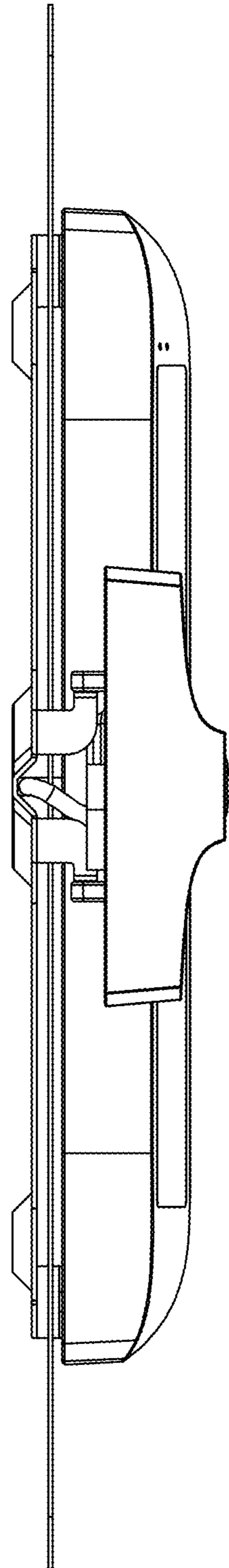


FIG. 3

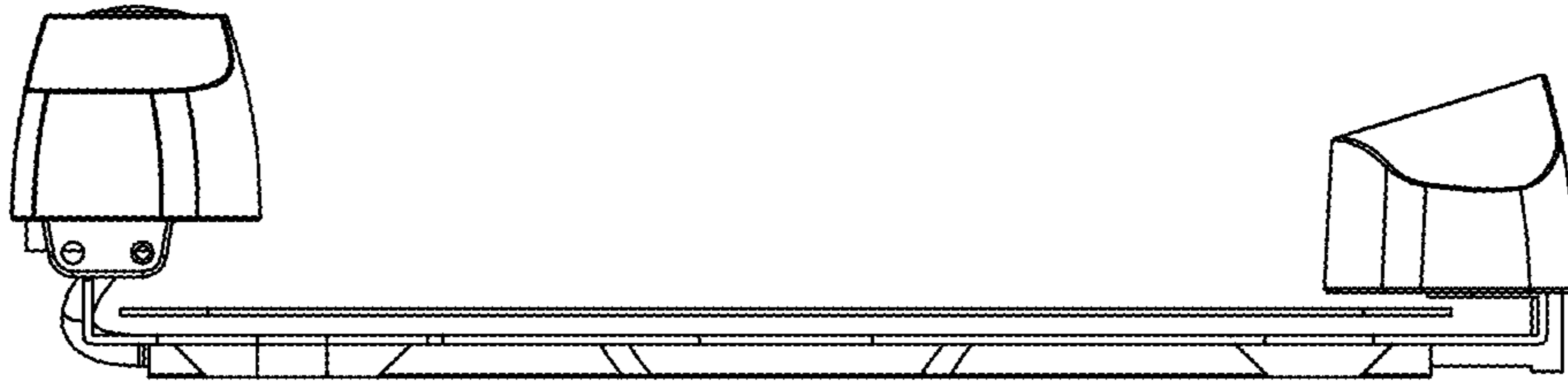


FIG. 4

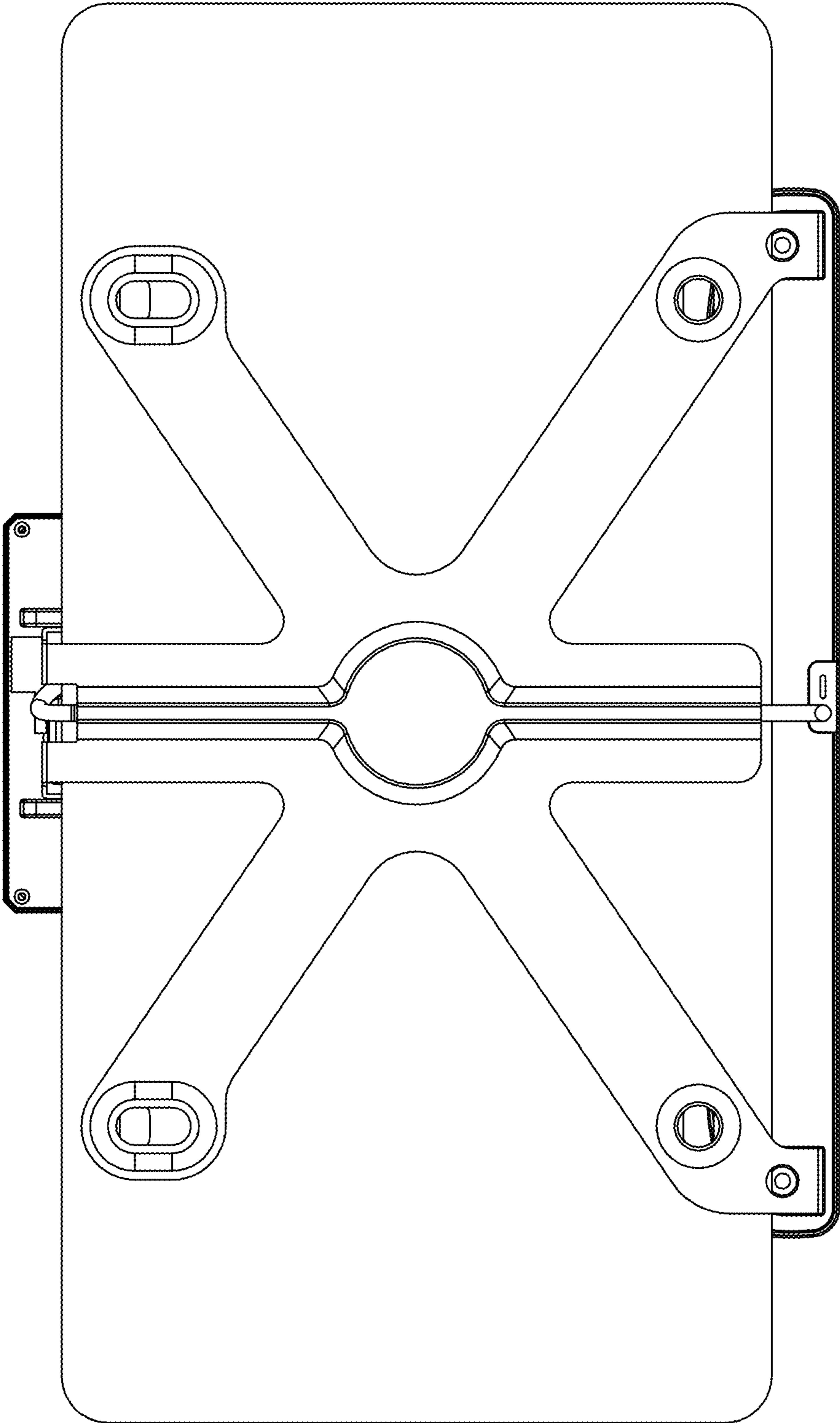


FIG. 5

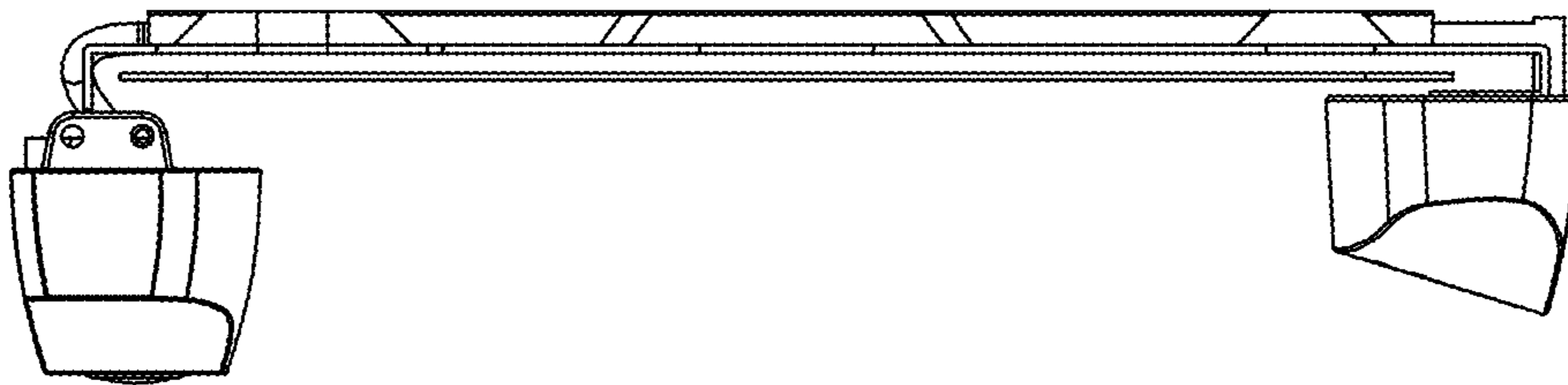


FIG. 6

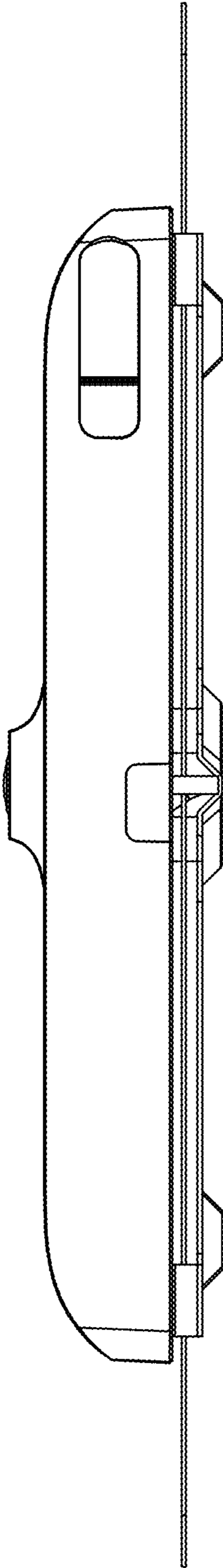


FIG. 7

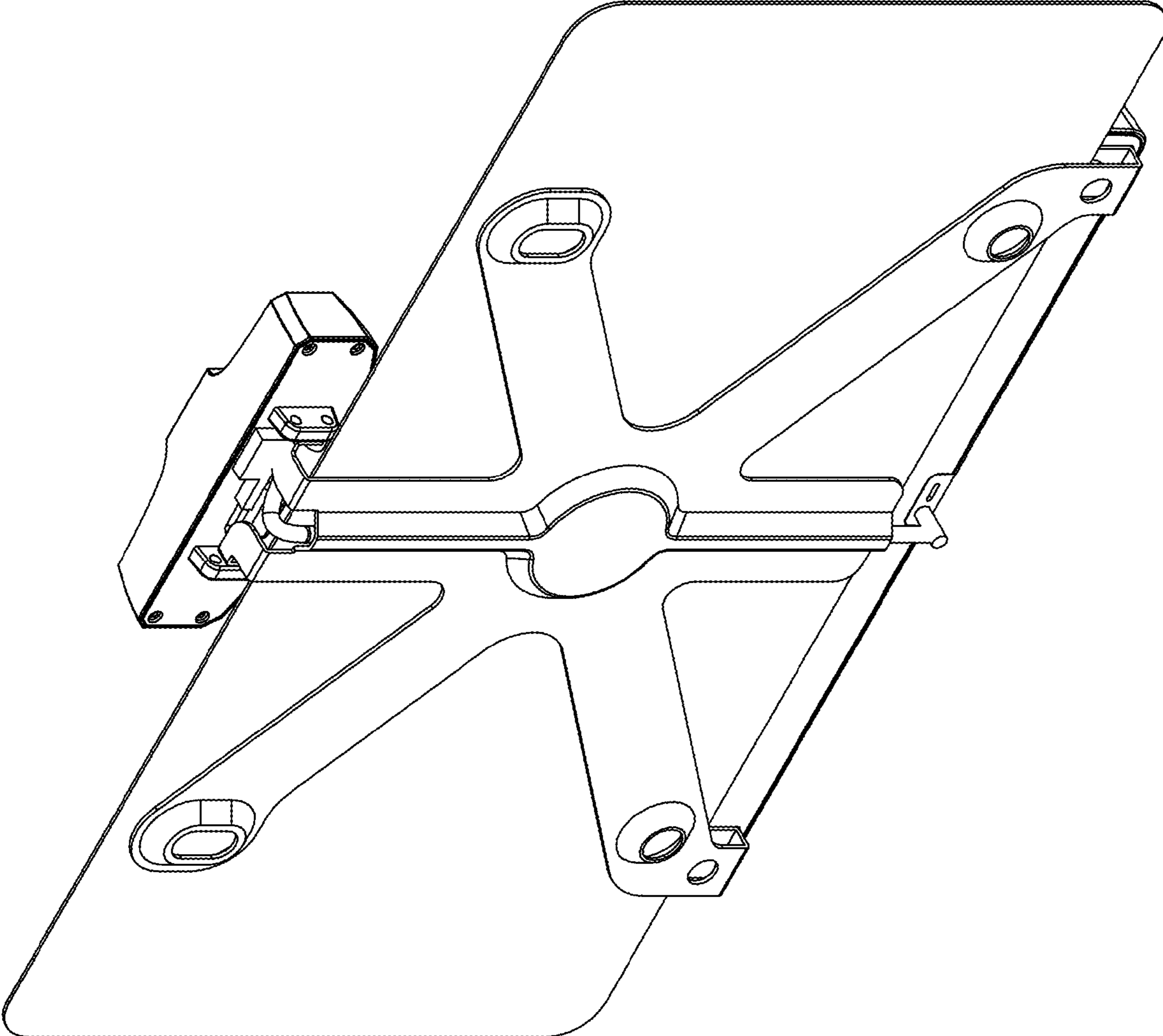


FIG. 8