



US00D894805S

(12) **United States Design Patent** (10) **Patent No.:** **US D894,805 S**
Reeves et al. (45) **Date of Patent:** **** Sep. 1, 2020**

(54) **DISPLAY PANEL WITH SELECTABLE ICONS**
(71) Applicant: **Gentex Corporation**, Zeeland, MI (US)
(72) Inventors: **Ted D. Reeves**, Hamilton, MI (US);
Bradley L. Busscher, Grand Rapids, MI (US); **Autumn L. Lagowski**, Holland, MI (US)
(73) Assignee: **GENTEX CORPORATION**, Zeeland, MI (US)
(**) Term: **15 Years**
(21) Appl. No.: **29/675,952**
(22) Filed: **Jan. 7, 2019**
(51) **LOC (12) Cl.** **12-16**
(52) **U.S. Cl.**
USPC **D12/187**
(58) **Field of Classification Search**
USPC D14/126, 127-129, 133, 374, 388, 389;
D12/114, 400, 415, 421, 187-195, 106,
D12/345, 416-420, 96, 99, 300, 309;
D10/46, 98, 102, 103, 122-127; D15/17,
D15/28; D23/324
CPC .. B60K 37/00; B60K 37/04; B60R 2300/205;
B60R 2300/207; B60R 1/04; B60R 1/088;
B60R 1/12; B60R 1/006; B60R 1/02;
B60R 1/10; B60R 1/025; B60H 1/34;
B60H 1/3407; B60H 1/3414; B60H
1/3421; B60H 1/3428; B60H 1/3435;
B60H 1/3442; B60H 1/345; B60H
1/3457; B60H 2001/3464; B60H
2001/3471; B60H 2001/3478; B60H
2001/3485; B60H 2001/1215; G02B
27/0149; B60Q 1/2665
See application file for complete search history.

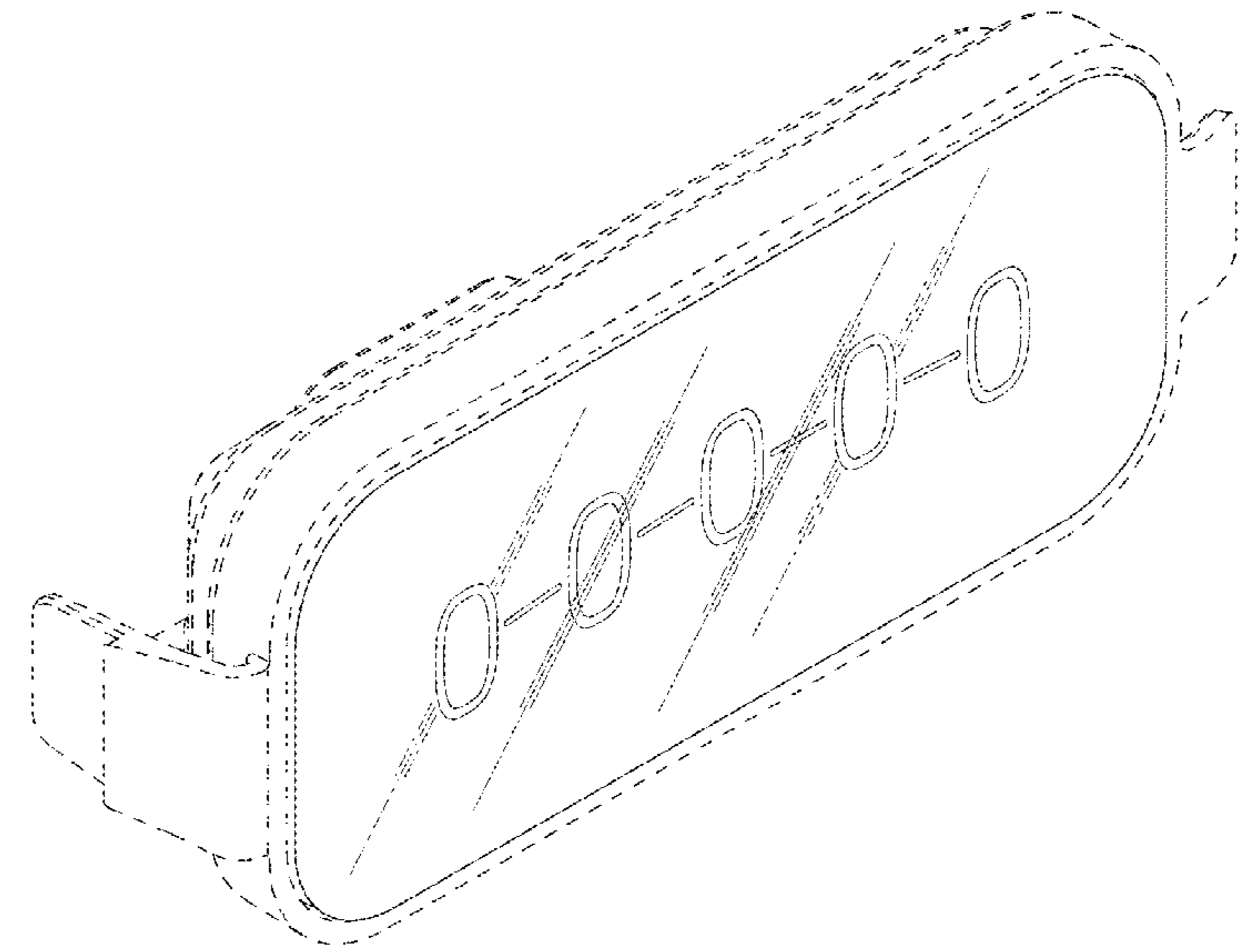
(56) **References Cited**
U.S. PATENT DOCUMENTS
D556,106 S * 11/2007 Carter D12/187
D638,761 S * 5/2011 De Wind D12/187
D647,017 S * 10/2011 De Wind D12/187
D733,740 S 7/2015 Lee et al.
D733,741 S 7/2015 Lee et al.
D762,180 S 7/2016 Young et al.
D817,238 S * 5/2018 Lock D12/187
D834,476 S * 11/2018 Tang D12/187
D881,769 S * 4/2020 Hamlin D12/187
2013/0161971 A1 6/2013 Bungo et al.
2013/0278989 A1 10/2013 Lam et al.
2014/0068434 A1 3/2014 Filev et al.

* cited by examiner
Primary Examiner — Abraham Bahta
(74) *Attorney, Agent, or Firm* — Price Heneveld LLP;
Bradley D. Johnson

(57) **CLAIM**
We claim the ornamental design for a display panel with selectable icons, as shown and described.

DESCRIPTION
FIG. 1 is a top front perspective view of a display panel with selectable icons of the present disclosure;
FIG. 2 is a bottom front perspective view of the display panel with selectable icons of FIG. 1;
FIG. 3 is a front elevational view of the display panel with selectable icons of FIG. 1;
FIG. 4 is a top perspective view of the display panel with selectable icons of FIG. 1; and,
FIG. 5 is a bottom perspective view of the display panel with selectable icons of FIG. 1.
The broken lines depict portions of the article that form no part of the claimed design.
Diagonal shading using solid lines represents a front transparent surface.
Diagonal shading using dash-dot-dash lines represent a rear transparent surface.

1 Claim, 5 Drawing Sheets



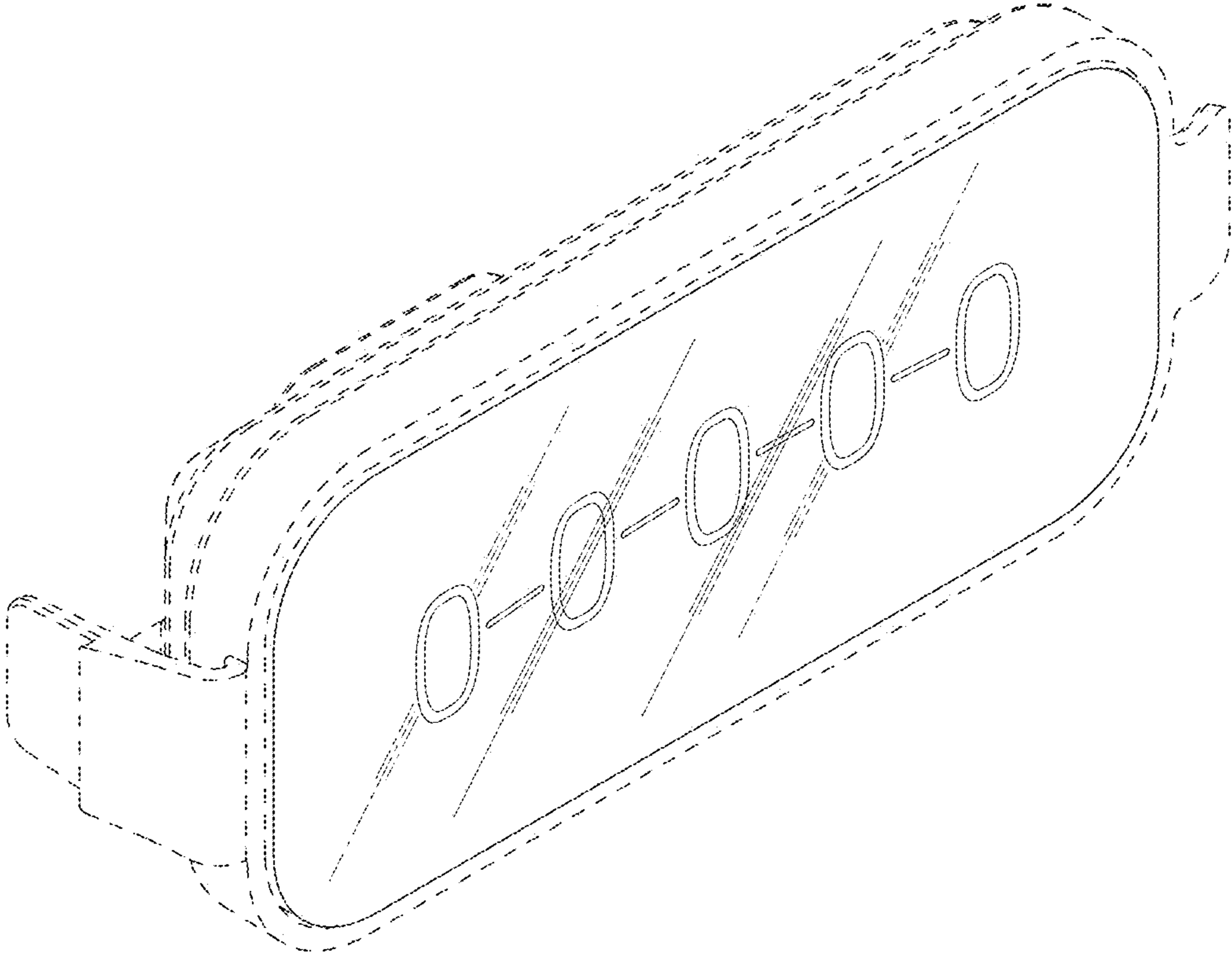


FIG. 1

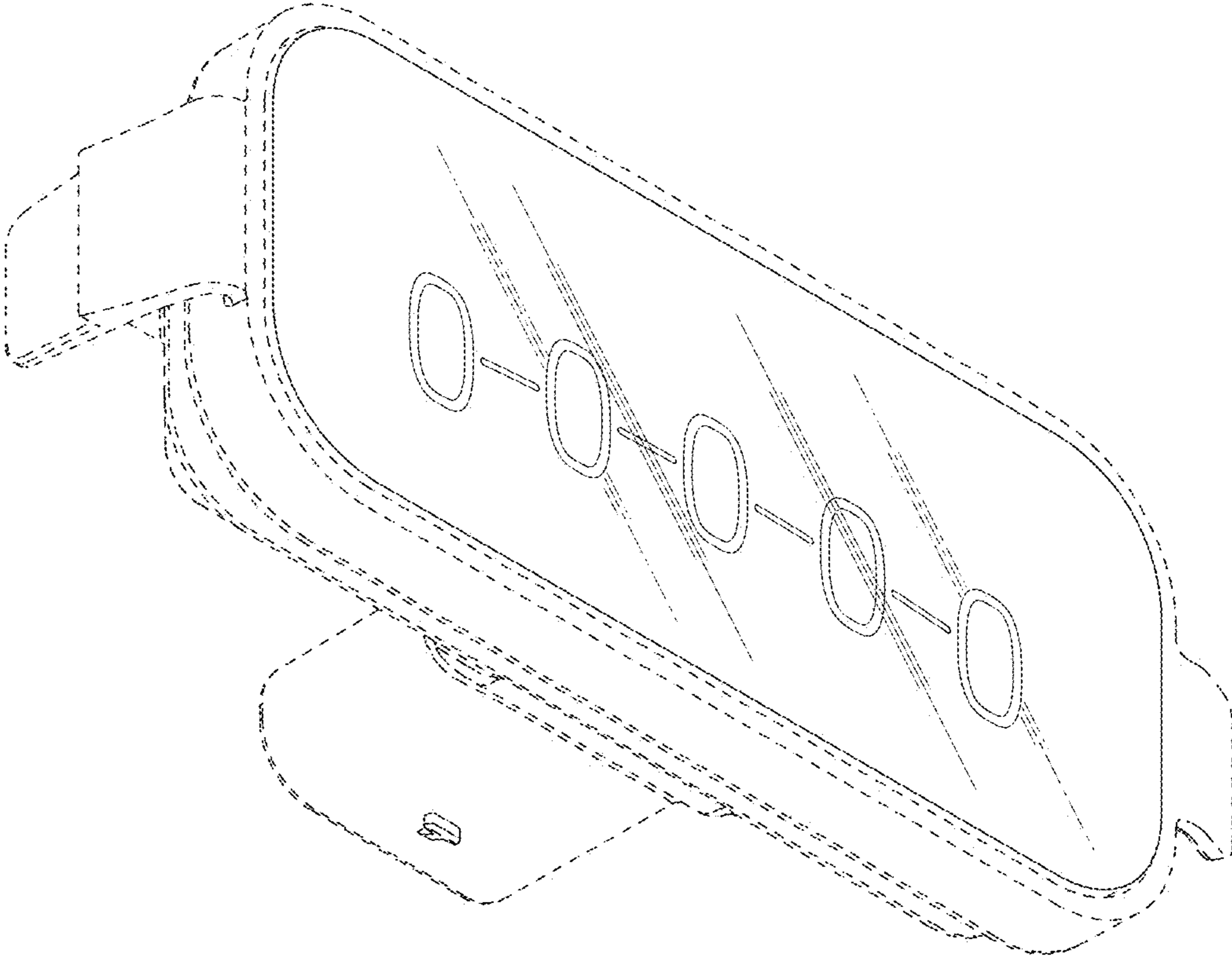


FIG. 2

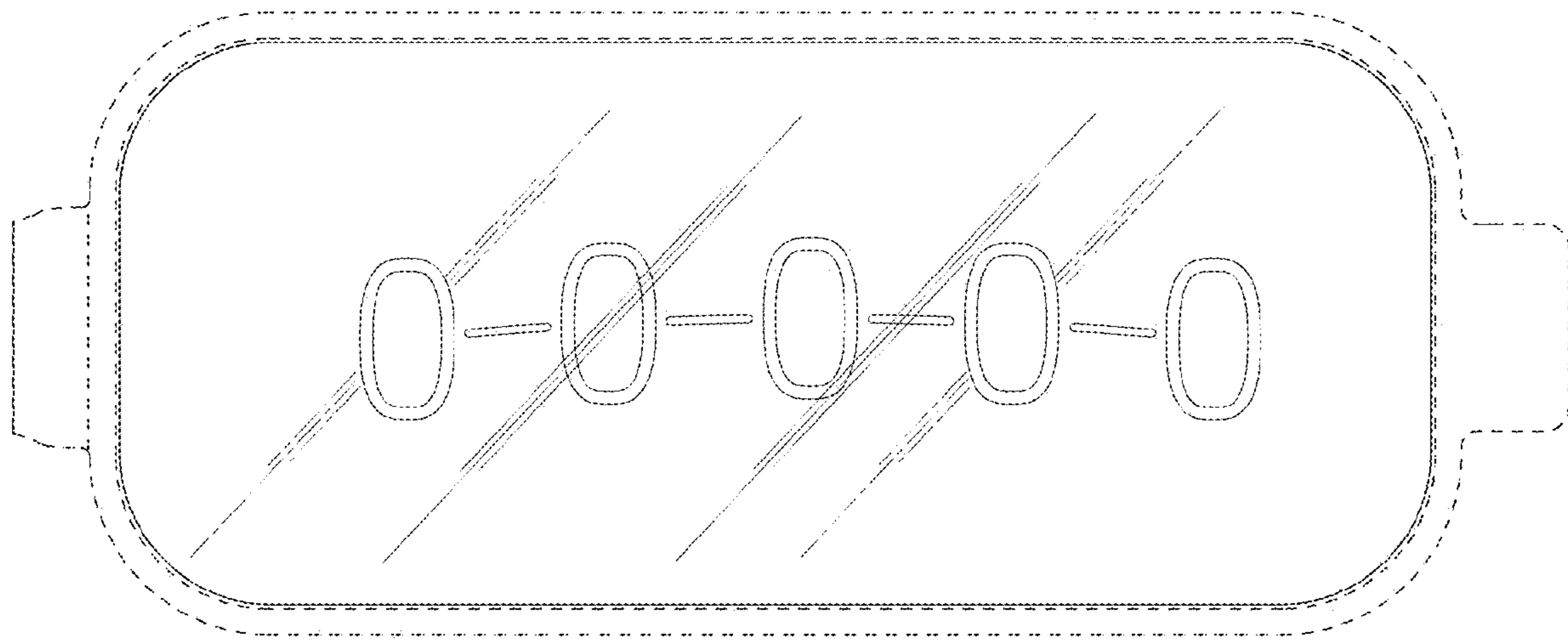


FIG. 3

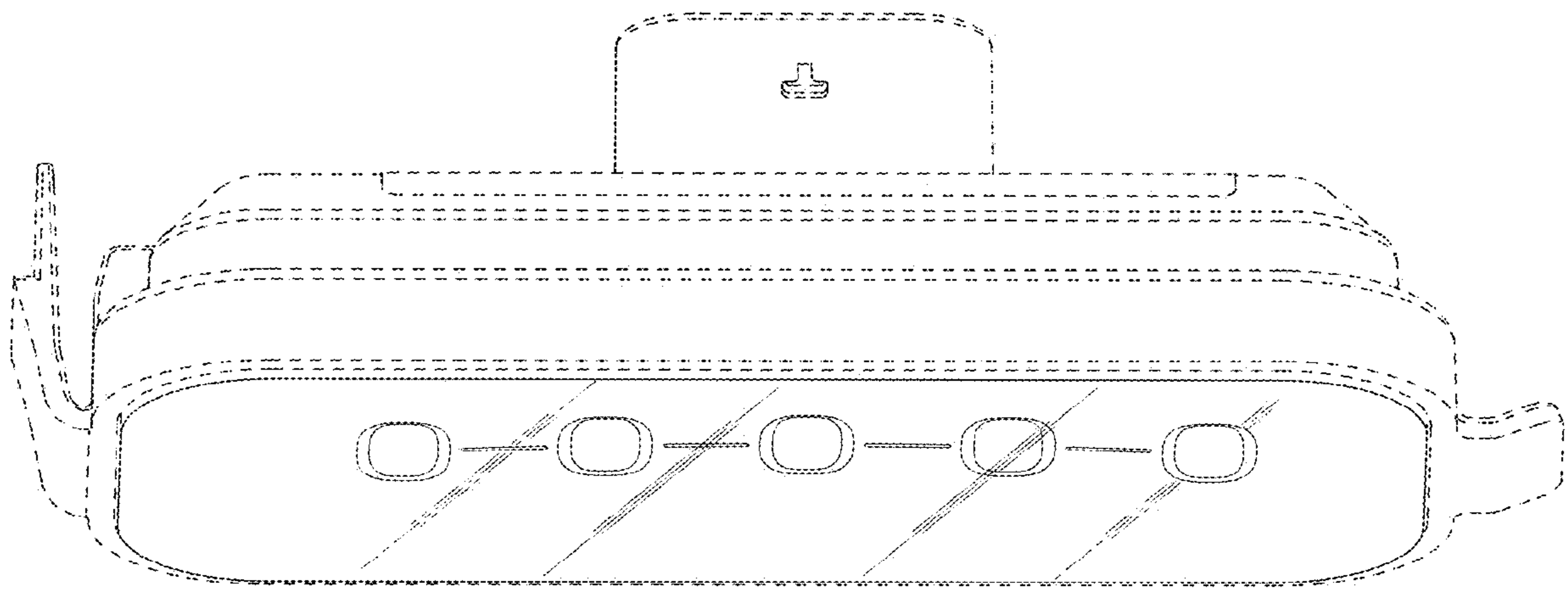


FIG. 4

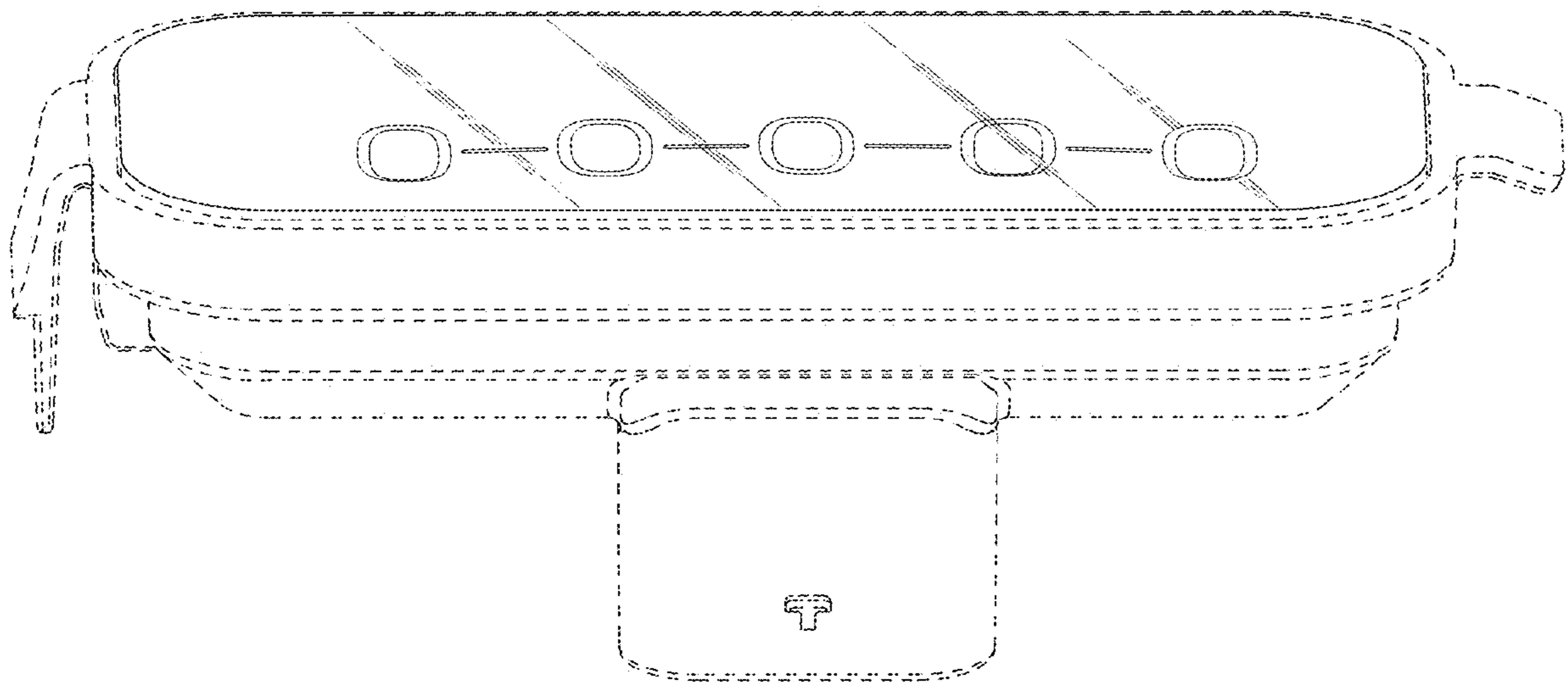


FIG. 5