



US00D894804S

(12) **United States Design Patent**  
**Hsieh**

(10) **Patent No.:** **US D894,804 S**

(45) **Date of Patent:** **\*\* Sep. 1, 2020**

(54) **TRICYCLE STEERING MECHANISM**

(71) Applicant: **Melody Hsieh**, City of Industry, CA  
(US)

(72) Inventor: **Melody Hsieh**, City of Industry, CA  
(US)

(\*\*) Term: **15 Years**

(21) Appl. No.: **29/675,456**

(22) Filed: **Jan. 2, 2019**

(51) **LOC (12) Cl.** ..... **12-16**

(52) **U.S. Cl.**  
USPC ..... **D12/178; D12/117; D12/118**

(58) **Field of Classification Search**  
USPC ..... D12/111, 114, 117, 118, 178; D8/303  
CPC ..... B62K 19/16; B62K 21/12; B62K 21/18;  
B62K 21/125; B62K 23/06  
See application file for complete search history.

(56) **References Cited**

**U.S. PATENT DOCUMENTS**

|                |         |               |       |                        |
|----------------|---------|---------------|-------|------------------------|
| D223,072 S *   | 3/1972  | Pawsat et al. | ..... | D12/178                |
| D224,696 S *   | 8/1972  | Pawsat et al. | ..... | D12/178                |
| 5,257,552 A *  | 11/1993 | Boyer         | ..... | B62K 21/12<br>74/551.1 |
| D342,475 S *   | 12/1993 | Haro          | ..... | D12/178                |
| D425,463 S *   | 5/2000  | Clarkson      | ..... | D12/178                |
| D458,566 S *   | 6/2002  | Carlini       | ..... | D12/178                |
| D477,798 S *   | 7/2003  | Bean          | ..... | D12/178                |
| D496,893 S *   | 10/2004 | Sieve         | ..... | D12/178                |
| D497,858 S *   | 11/2004 | Fabian        | ..... | D12/178                |
| D542,197 S *   | 5/2007  | Carlini       | ..... | D12/178                |
| 7,350,437 B2 * | 4/2008  | Mangano       | ..... | B62K 21/12<br>74/551.1 |
| D572,181 S *   | 7/2008  | Lujan         | ..... | D12/178                |
| D604,212 S *   | 11/2009 | Carlini       | ..... | D12/178                |
| D612,307 S *   | 3/2010  | Lujan         | ..... | D12/178                |
| D621,755 S *   | 8/2010  | Carlini       | ..... | D12/178                |

|                   |         |            |       |                        |
|-------------------|---------|------------|-------|------------------------|
| D629,343 S *      | 12/2010 | Carlini    | ..... | D12/178                |
| D639,211 S *      | 6/2011  | Lujan      | ..... | D12/110                |
| D658,098 S *      | 4/2012  | Plainfield | ..... | D12/178                |
| D664,079 S *      | 7/2012  | Lujan      | ..... | D12/178                |
| D687,753 S *      | 8/2013  | Carlini    | ..... | D12/178                |
| D689,418 S *      | 9/2013  | Menefee    | ..... | D12/178                |
| D725,455 S *      | 3/2015  | Carlini    | ..... | D8/303                 |
| D726,607 S *      | 4/2015  | Rickard    | ..... | D12/178                |
| D727,808 S *      | 4/2015  | Heinz      | ..... | D12/178                |
| 2012/0210821 A1 * | 8/2012  | Carlini    | ..... | B62K 21/12<br>74/551.8 |

\* cited by examiner

*Primary Examiner* — Darlington Ly

(74) *Attorney, Agent, or Firm* — The Rapacke Law Group, P.A.

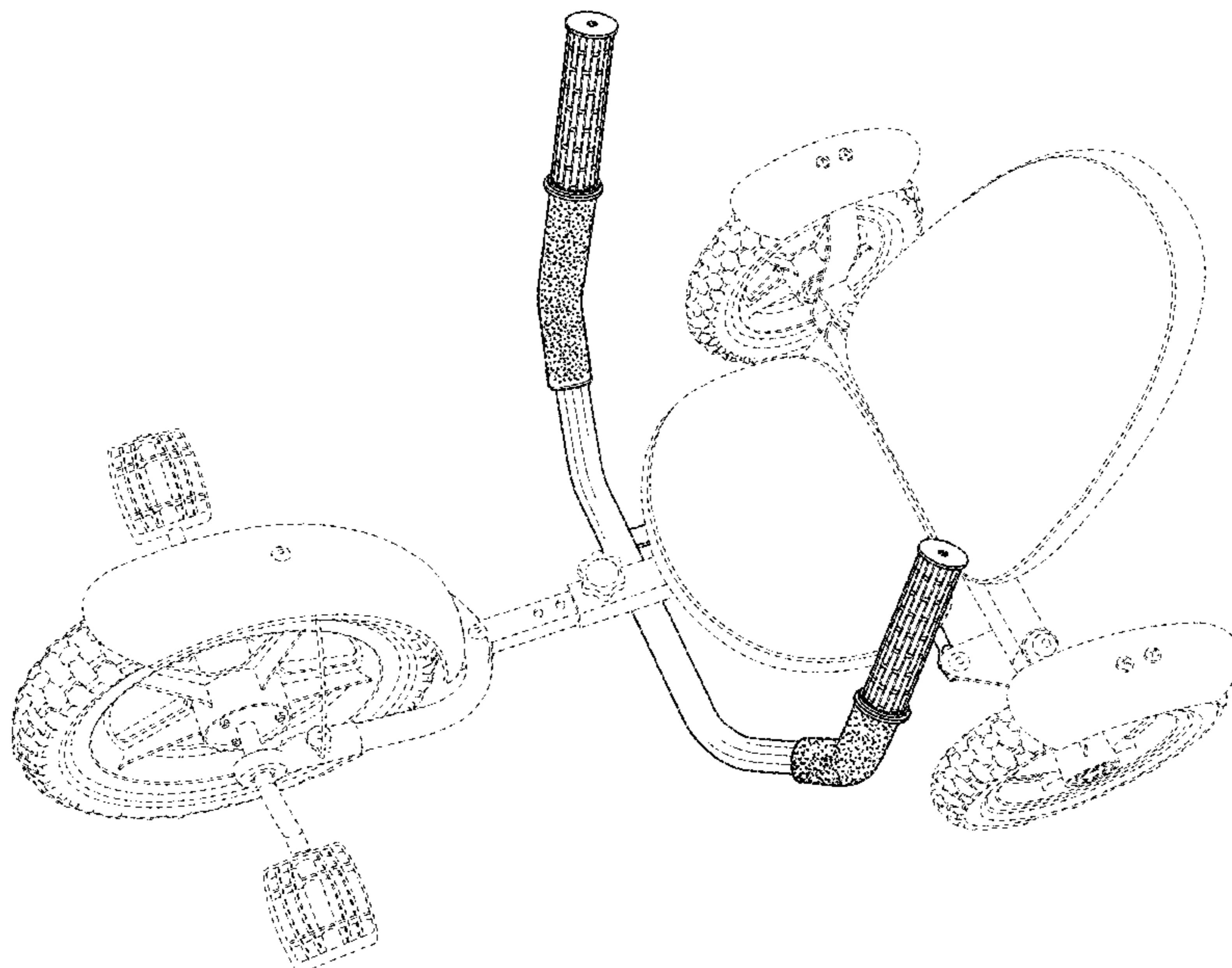
(57) **CLAIM**

The ornamental design for a tricycle steering mechanism, as shown and described.

**DESCRIPTION**

FIG. 1 is a top perspective view of the tricycle steering mechanism showing the new design;  
 FIG. 2 is a front elevational view of the tricycle steering mechanism thereof;  
 FIG. 3 is a rear elevational view of the tricycle steering mechanism thereof;  
 FIG. 4 is a left side elevational view of the tricycle steering mechanism thereof  
 FIG. 5 is a right side elevational view of the tricycle steering mechanism thereof;  
 FIG. 6 is a top plan view of the tricycle steering mechanism thereof; and,  
 FIG. 7 is a bottom plan view of the tricycle steering mechanism thereof.  
 The broken lines in the drawings illustrate environmental subject matter and form no part of the claimed design.

**1 Claim, 7 Drawing Sheets**



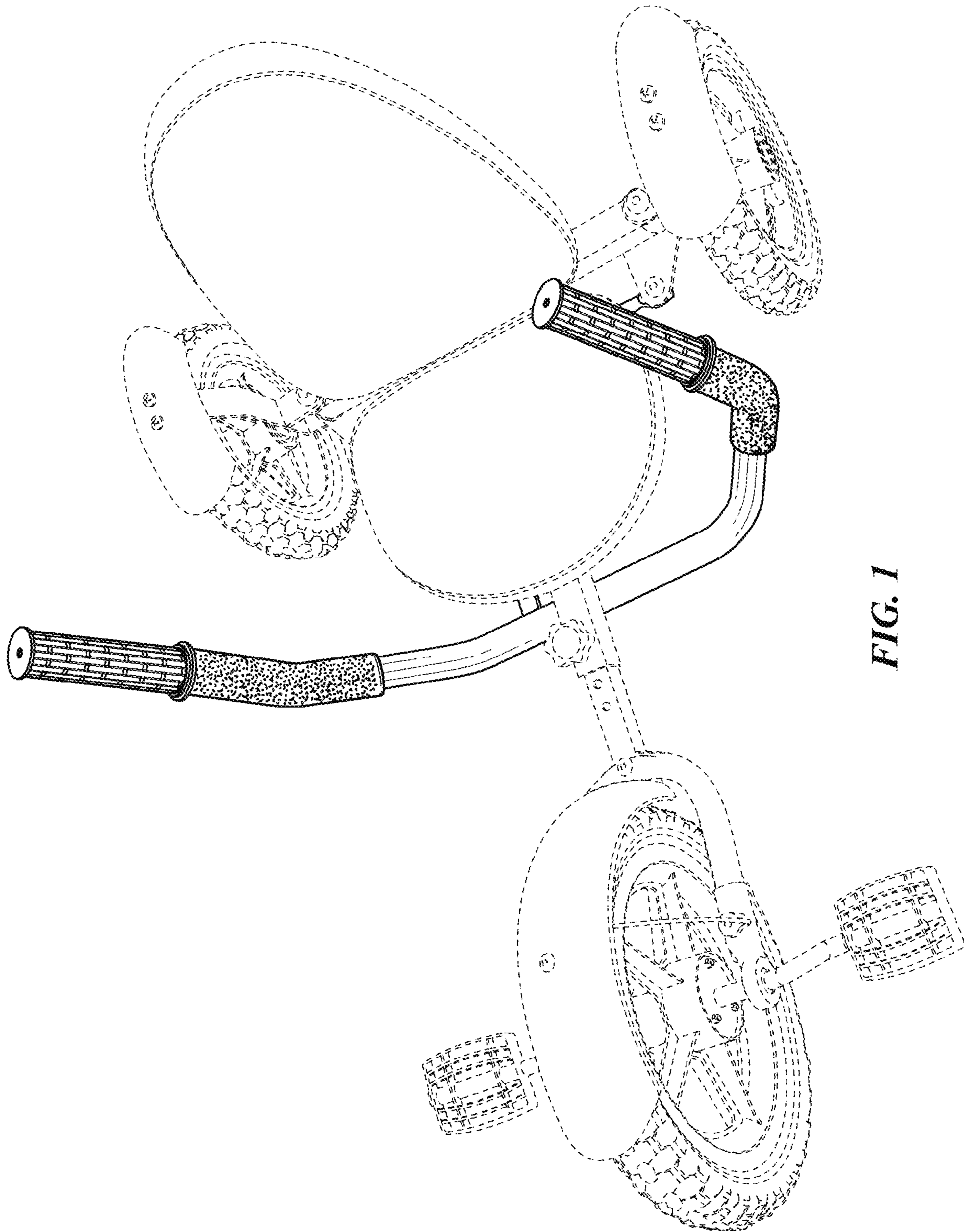


FIG. 1

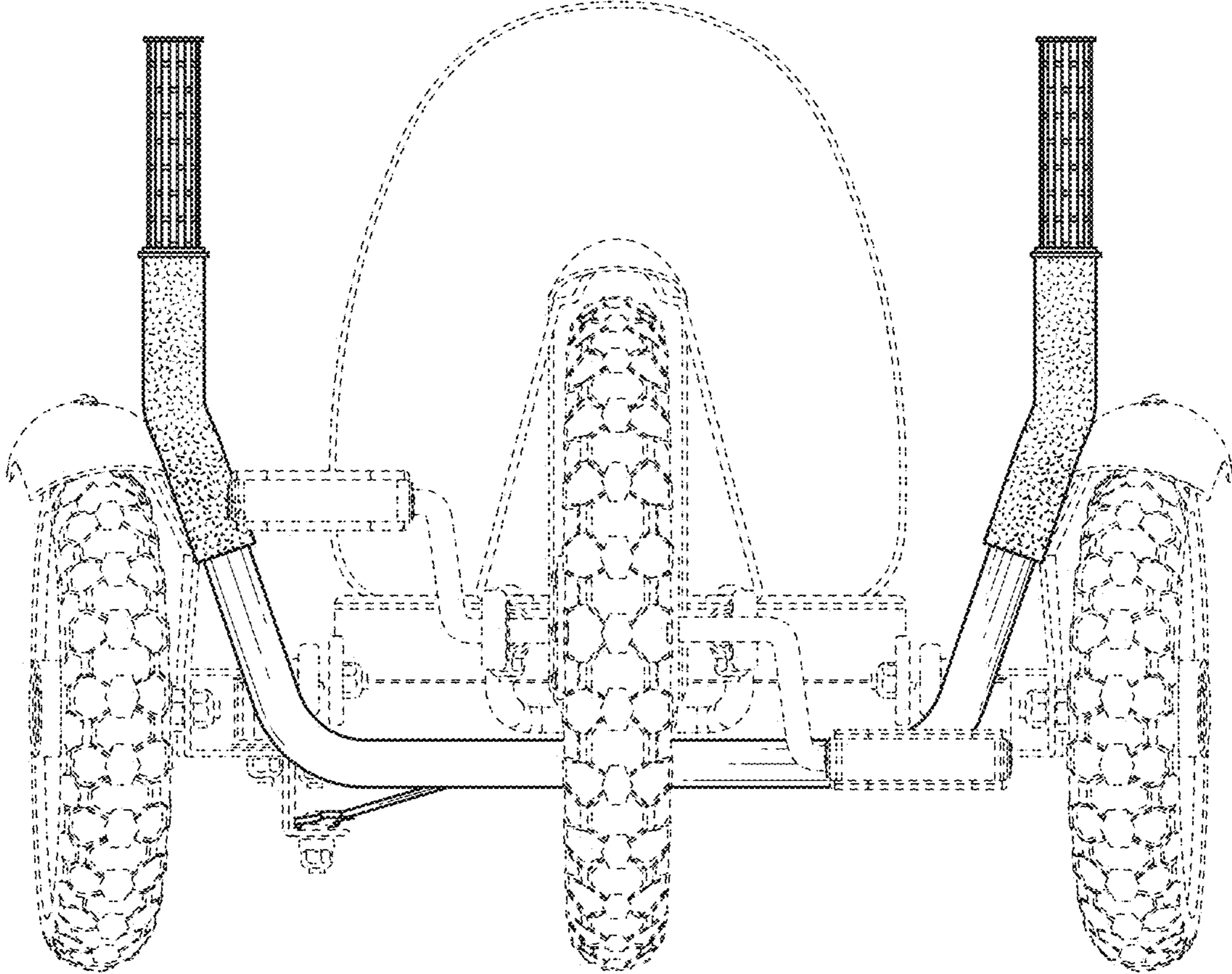
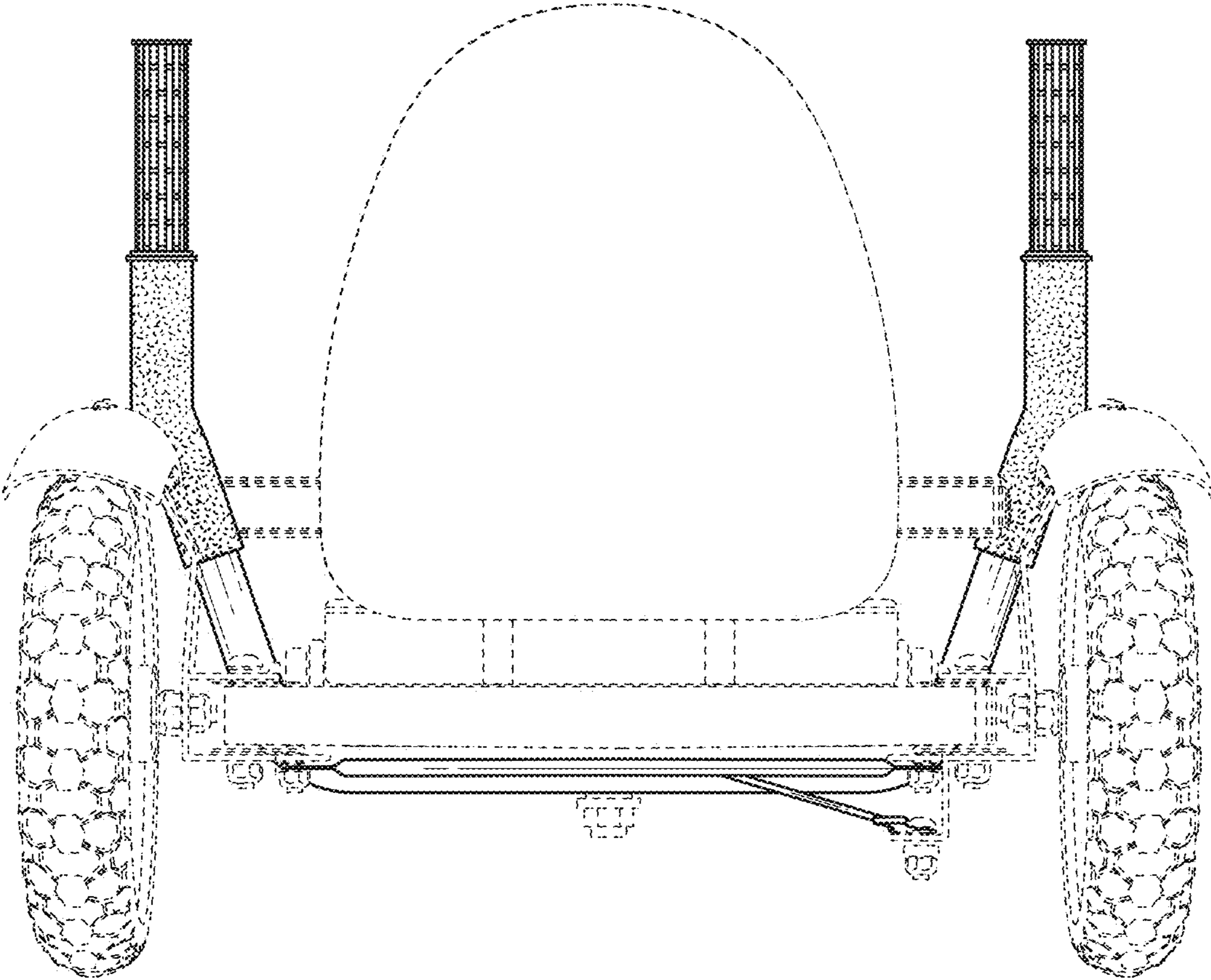


FIG. 2



*FIG. 3*

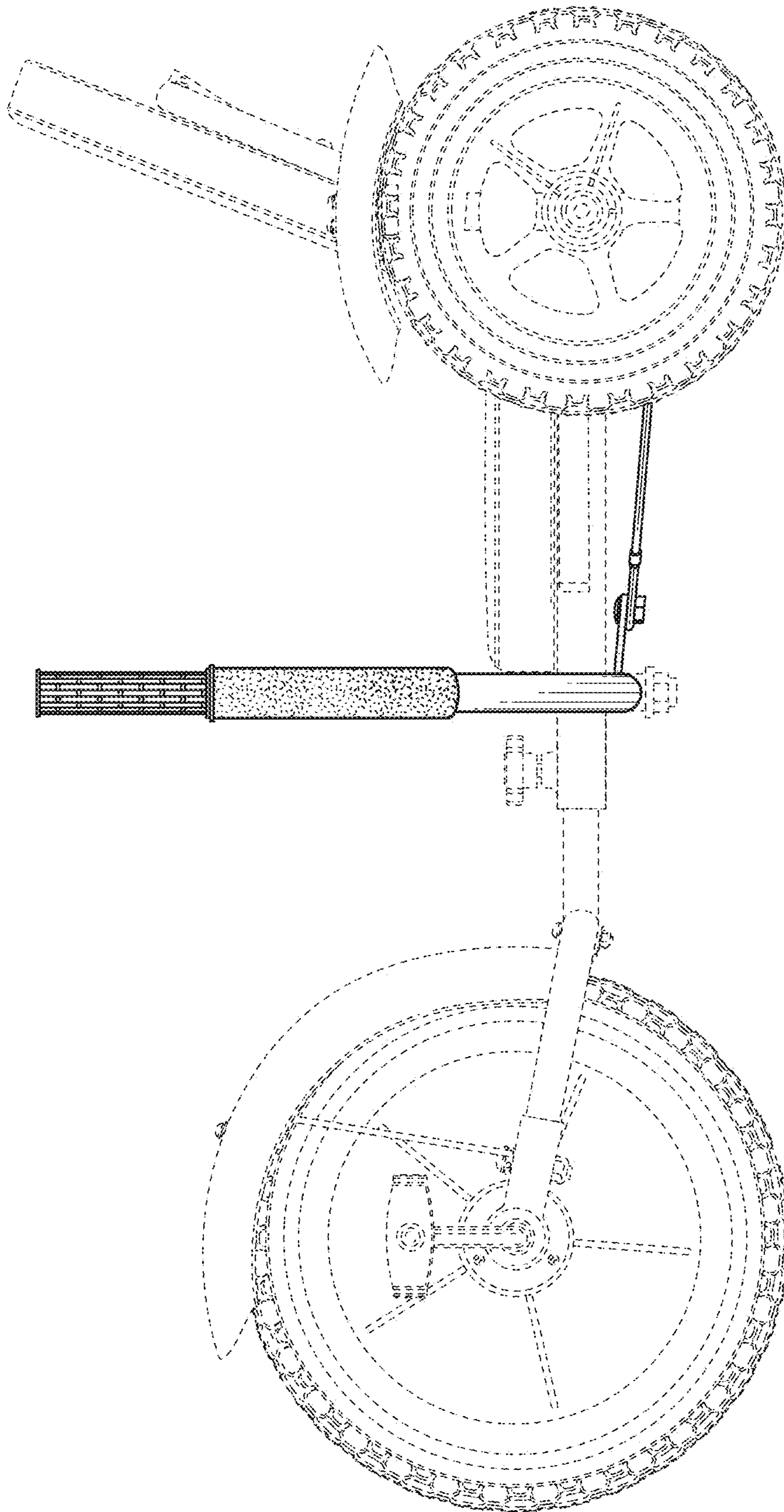


FIG. 4

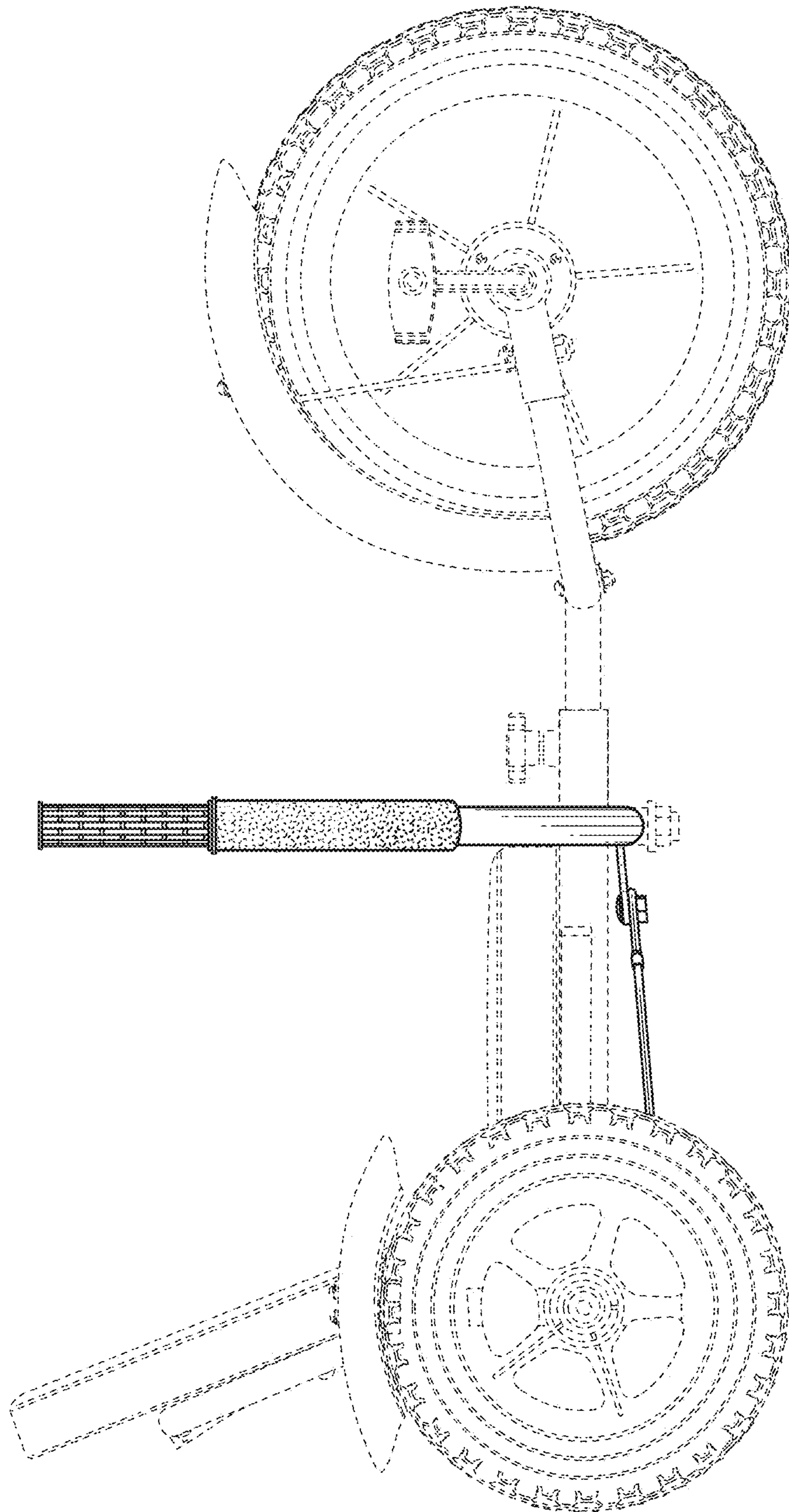
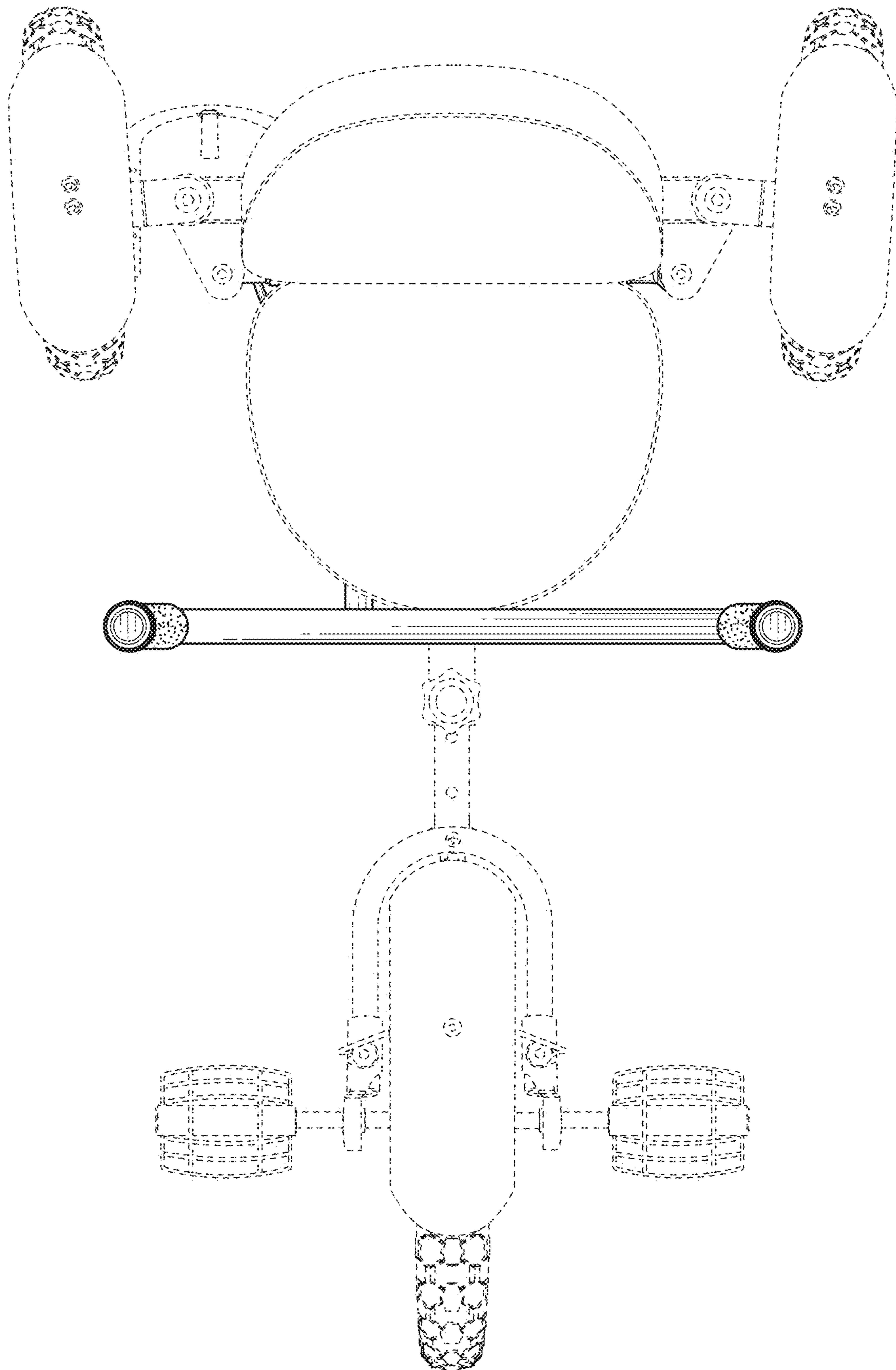


FIG. 5



**FIG. 6**

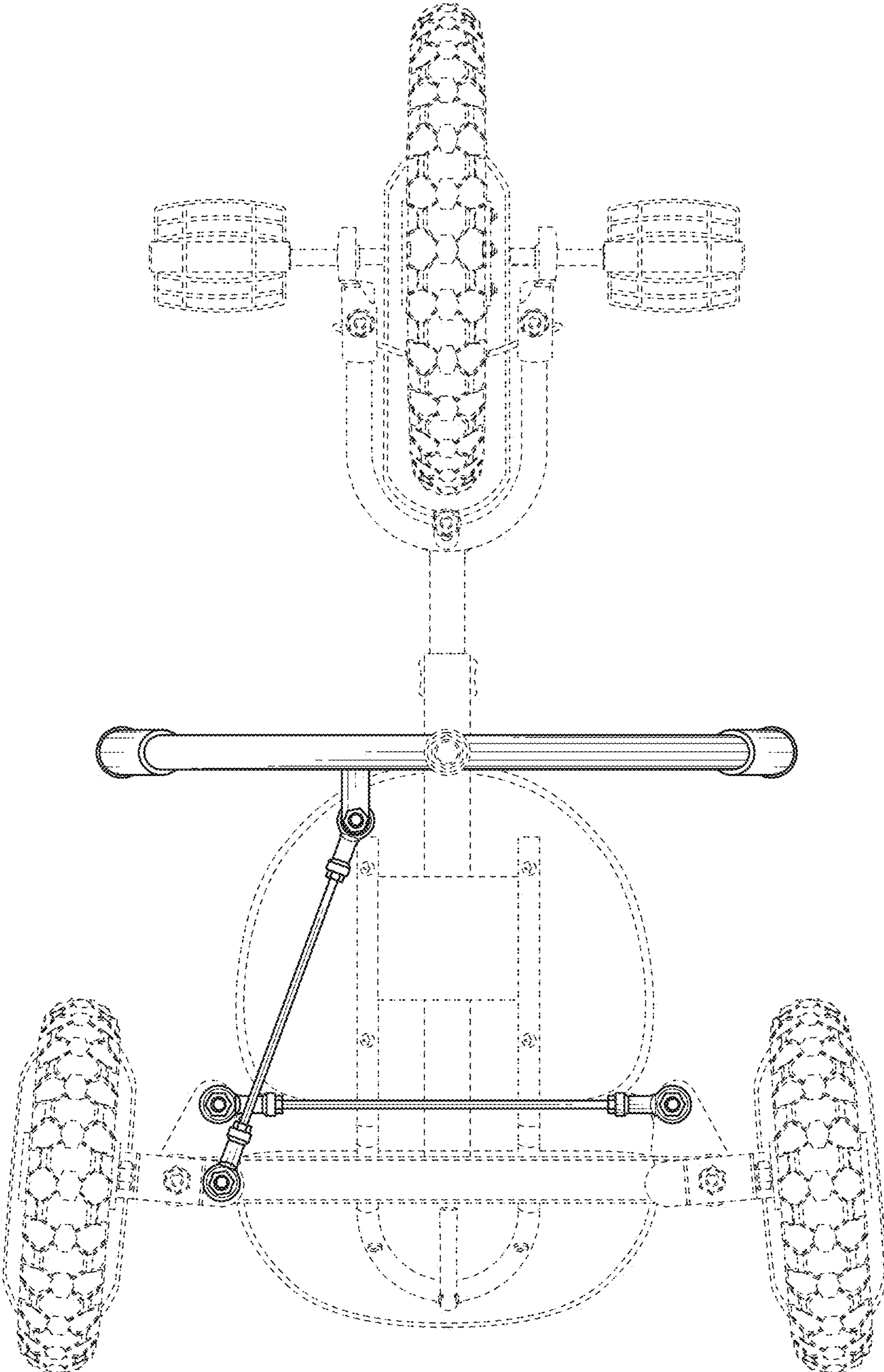


FIG. 7