



US00D894803S

(12) **United States Design Patent** (10) **Patent No.:** **US D894,803 S**
DiCanzio (45) **Date of Patent:** **** Sep. 1, 2020**

(54) **FRONT BUMPER**
(71) Applicant: **Turn 5, Inc.**, Paoli, PA (US)
(72) Inventor: **Michael DiCanzio**, West Chester, PA (US)
(73) Assignee: **Turn 5, Inc.**, Paoli, PA (US)
(**) Term: **15 Years**
(21) Appl. No.: **29/656,784**
(22) Filed: **Jul. 16, 2018**
(51) **LOC (12) Cl.** **12-16**
(52) **U.S. Cl.**
USPC **D12/169**
(58) **Field of Classification Search**
USPC D12/86, 90, 91, 92, 163, 164, 169, 171, D12/196, 216
CPC B60R 19/02; B60R 19/18; B60R 19/24; B60R 19/56; B60R 2019/007; B62D 25/0845
See application file for complete search history.

(56) **References Cited**
U.S. PATENT DOCUMENTS
D300,128 S * 3/1989 Brennan D12/169
D375,067 S * 10/1996 Bronstein D12/169
D432,469 S * 10/2000 Nelson D12/169
D454,098 S * 3/2002 McGuinness D12/171
D455,988 S * 4/2002 McGuinness D12/171
D502,433 S * 3/2005 McClanahan D12/169

7,703,834 B1 * 4/2010 Hardy B60R 9/06 296/102
D722,927 S * 2/2015 Schroeder D12/171
D737,181 S * 8/2015 Smith D12/169
D751,012 S * 3/2016 Hare D12/169
D760,133 S * 6/2016 Bennett D12/171
D771,537 S * 11/2016 Hare D12/169
2006/0192398 A1 * 8/2006 Buniewicz B60R 19/04 293/102

* cited by examiner

Primary Examiner — Darlington Ly
(74) *Attorney, Agent, or Firm* — Schott, P.C.

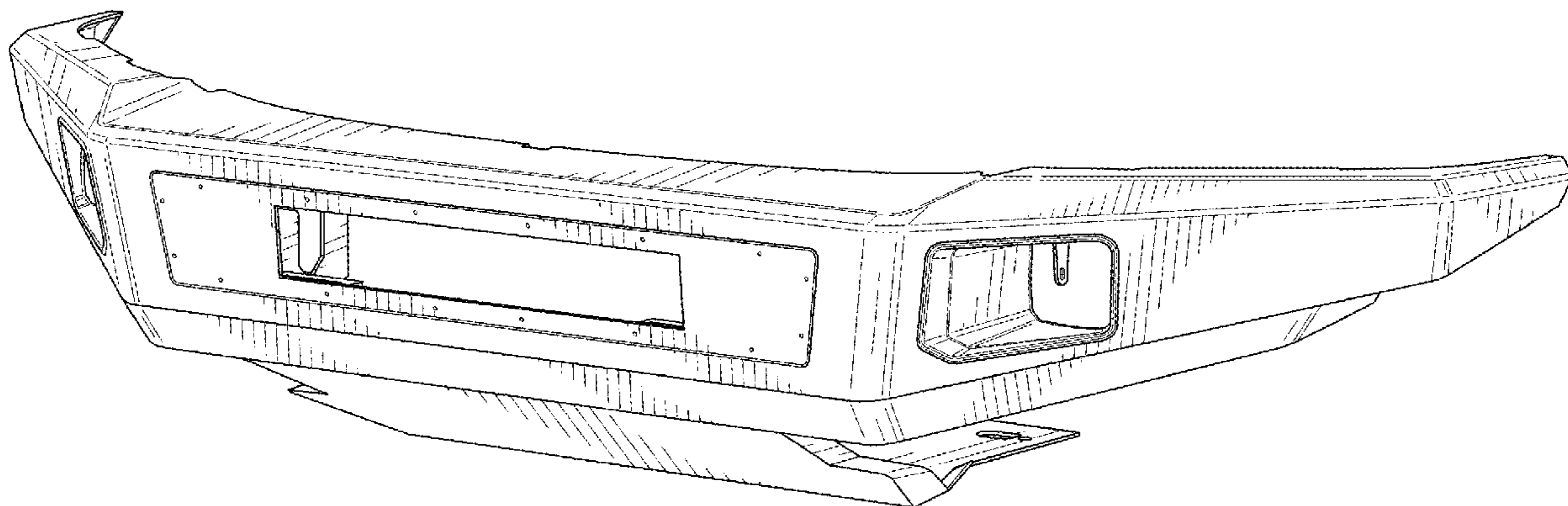
(57) **CLAIM**

The ornamental design for a front bumper, as shown and described.

DESCRIPTION

FIG. 1 is a front perspective view of a front bumper showing my new design;
FIG. 2 is a front elevation view thereof;
FIG. 3 is a rear elevation view thereof;
FIG. 4 is a top plan view thereof;
FIG. 5 is a bottom plan view thereof;
FIG. 6 is a left side elevation view thereof;
FIG. 7 is a right side elevation view thereof; and,
FIG. 8 is a front perspective view thereof when mounted onto the front of a truck.
The broken lines in the drawings illustrate portions of the front bumper and environmental truck that form no part of the claimed design.

1 Claim, 7 Drawing Sheets



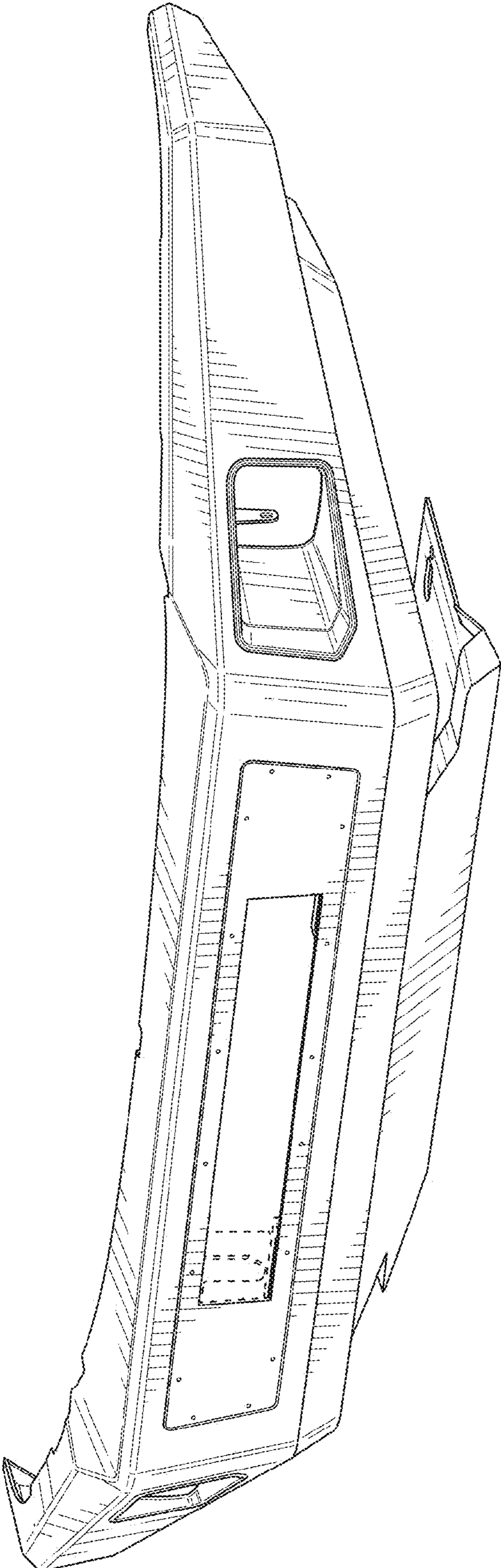


FIG. 1

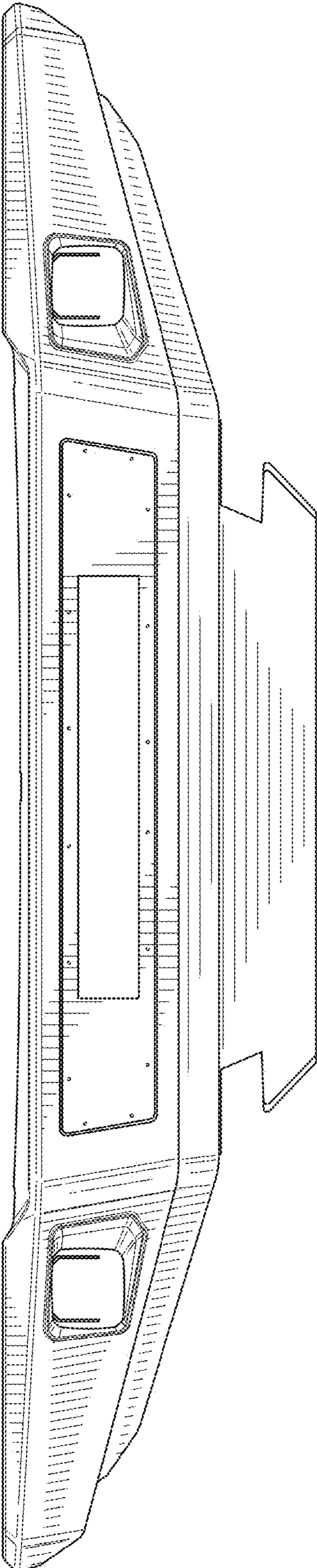


FIG. 2

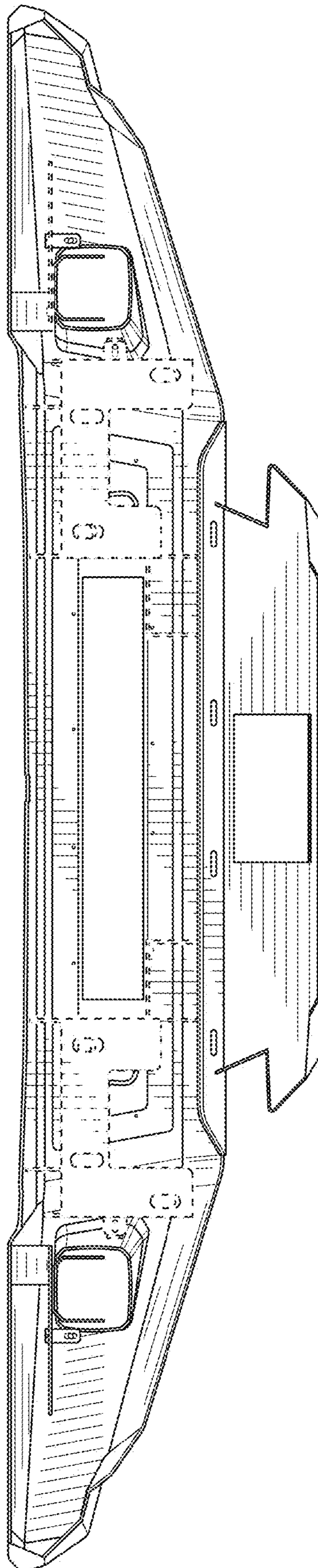


FIG. 3

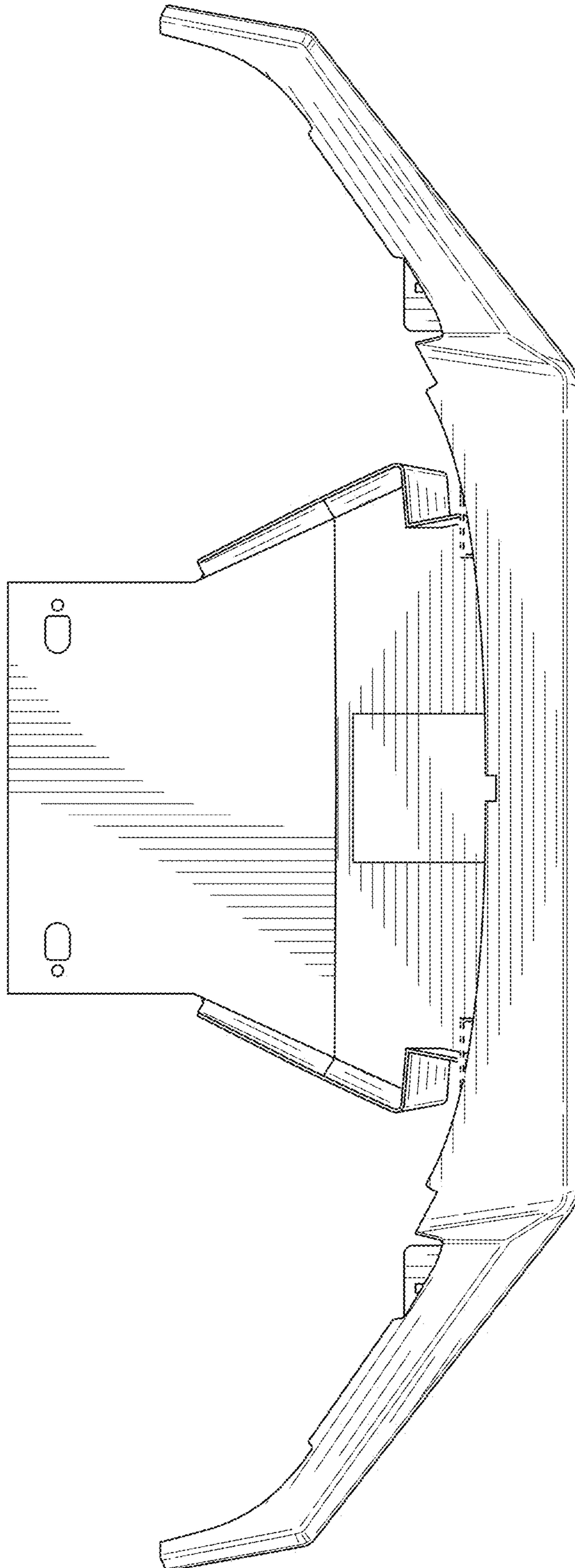


FIG. 4

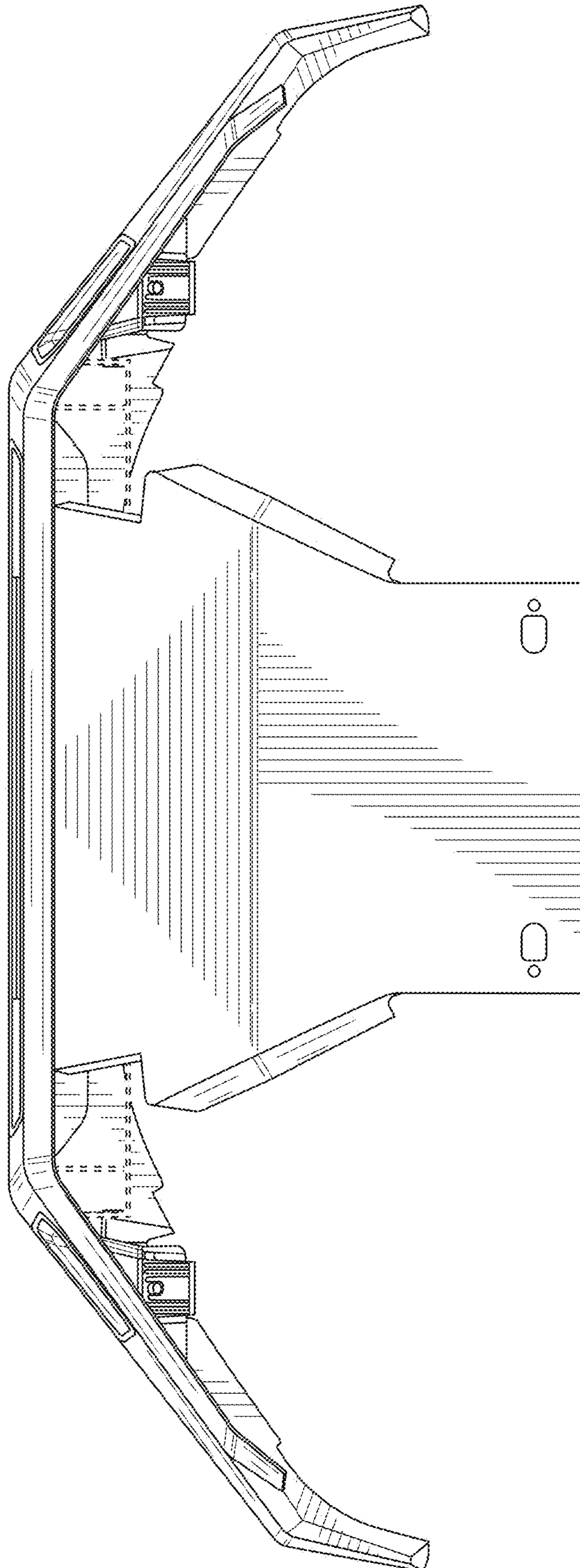


FIG. 5

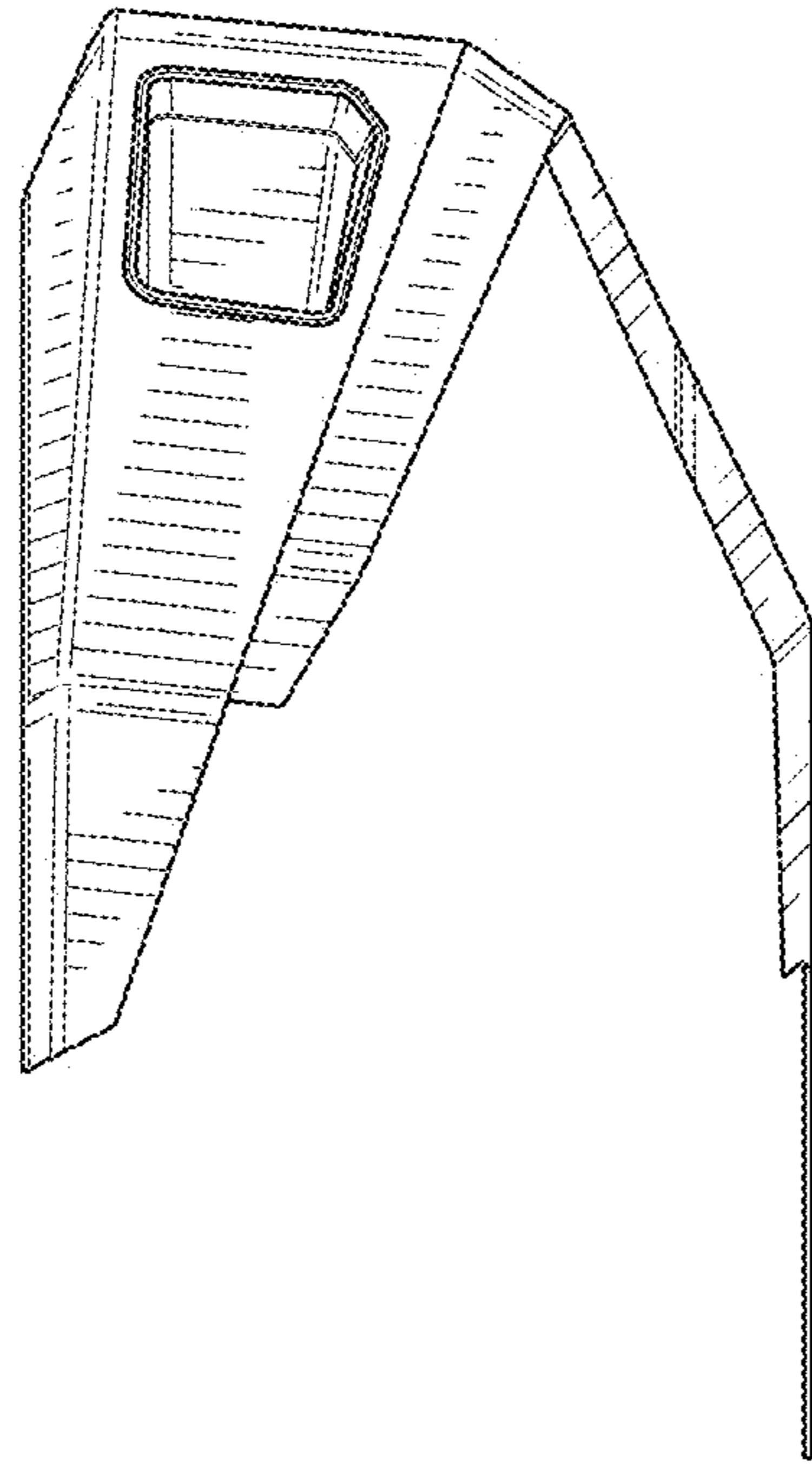


FIG. 7

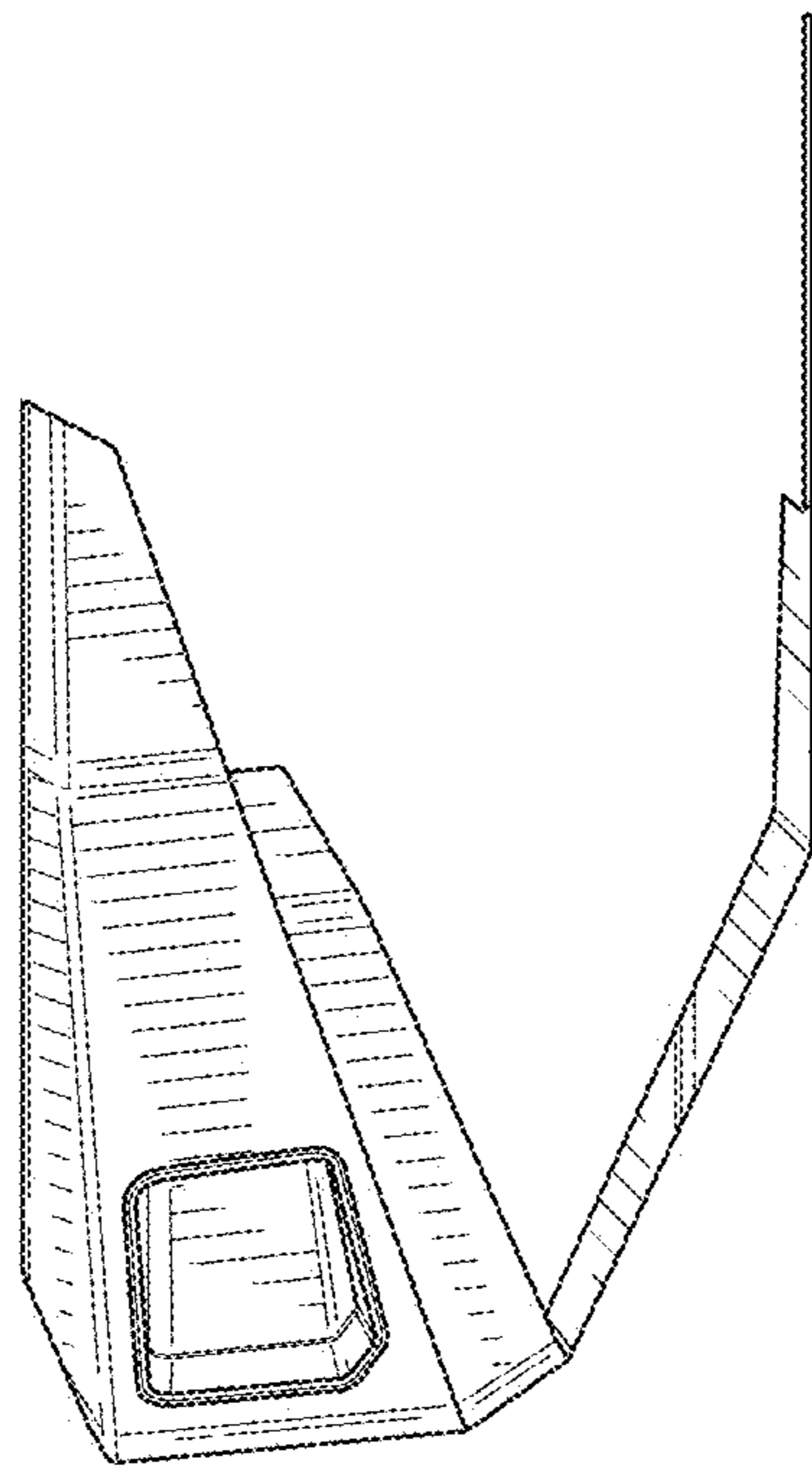


FIG. 6

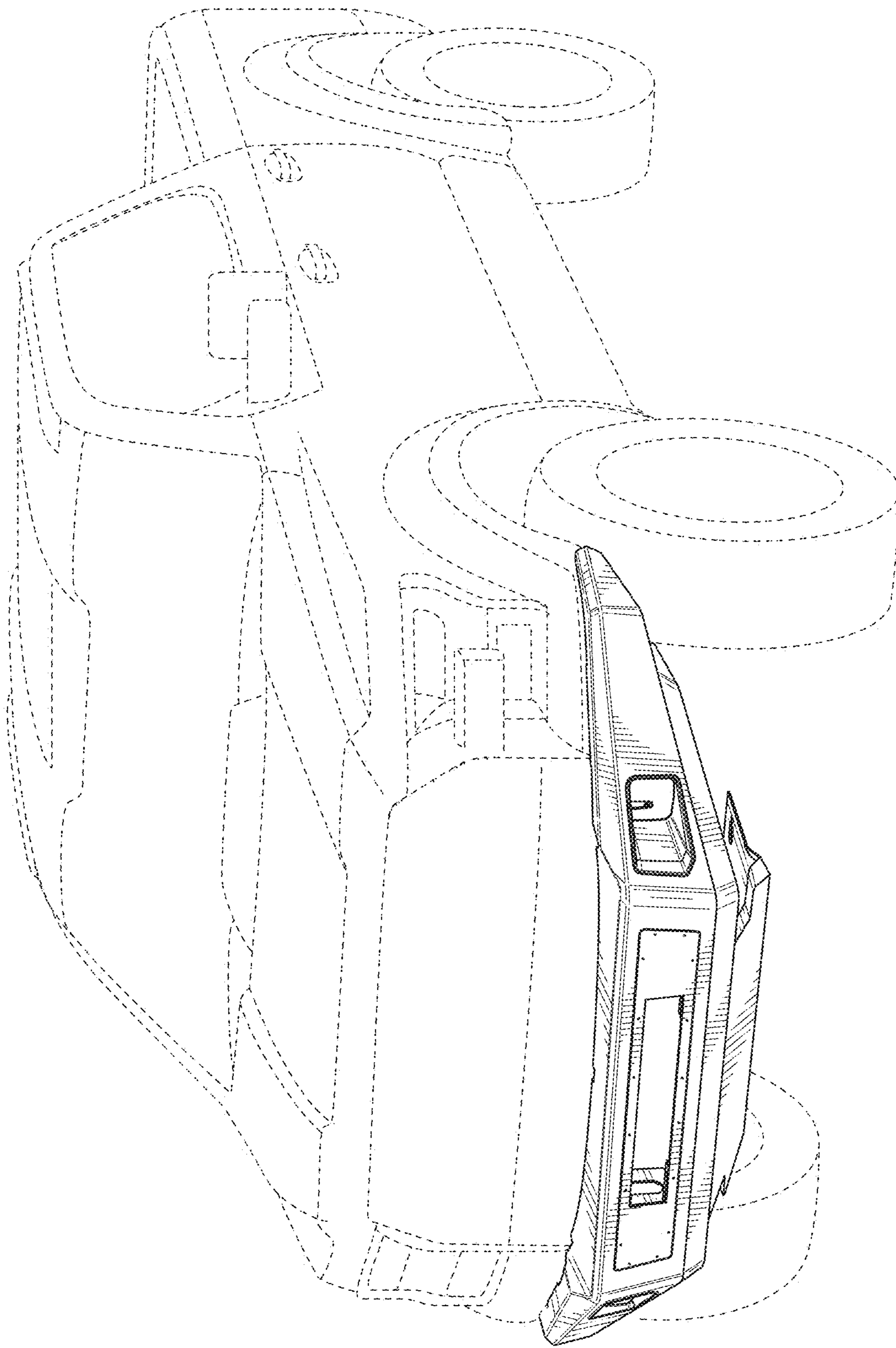


FIG. 8