

US00D894799S

(12) **United States Design Patent**
Burroughs

(10) **Patent No.:** **US D894,799 S**

(45) **Date of Patent:** **** Sep. 1, 2020**

- (54) **TAG**
- (71) Applicant: **HORIZON GLOBAL AMERICAS INC.**, Plymouth, MI (US)
- (72) Inventor: **Alex Burroughs**, Plymouth, MI (US)
- (73) Assignee: **HORIZON GLOBAL AMERICAS INC.**, Plymouth, MI (US)
- (**) Term: **15 Years**
- (21) Appl. No.: **29/665,406**
- (22) Filed: **Oct. 3, 2018**
- (51) **LOC (12) Cl.** **12-16**
- (52) **U.S. Cl.**
USPC **D12/162; D20/22**
- (58) **Field of Classification Search**
USPC D9/550, 563; D10/46, 47, 52, 104.1;
D14/490, 491; D19/1, 2, 3, 4, 5, 6, 7, 8,
D19/9, 10, 11, 12; D20/10, 11, 18, 22,
D20/23, 24, 25, 26, 27, 28, 29, 40, 43,
D20/44, 49; D12/114, 162, 317, 408
CPC G09F 1/00; G09F 1/04; G09F 3/00; G09F
3/005; G09F 3/0288; G09F 3/0289; G09F
3/02; G09F 3/04; G09F 3/06; G09F 3/08;
G09F 3/10; G06K 19/0776
See application file for complete search history.

- D468,681 S * 1/2003 Rath D12/162
- D490,028 S * 5/2004 Orsini D12/114
- D511,984 S * 11/2005 Kumagai D10/104.1
- D560,715 S * 1/2008 Hogg D19/10
- D764,287 S * 8/2016 Birgers D9/432
- D797,188 S * 9/2017 Hendrick D19/9
- D841,526 S * 2/2019 Siegel D12/162
- D857,563 S * 8/2019 Siegel D12/162
- D862,308 S * 10/2019 Siegel D12/162
- D862,309 S * 10/2019 Hack D12/162

* cited by examiner

Primary Examiner — Mary Ann Calabrese

Assistant Examiner — Catherine Ho

(74) *Attorney, Agent, or Firm* — McDonald Hopkins LLC

(56) **References Cited**

U.S. PATENT DOCUMENTS

- 1,894,906 A * 1/1933 Henry, Jr. G09F 3/02
40/641
- D233,025 S * 10/1974 Dague D12/422
- D451,554 S * 12/2001 Fasano D20/22

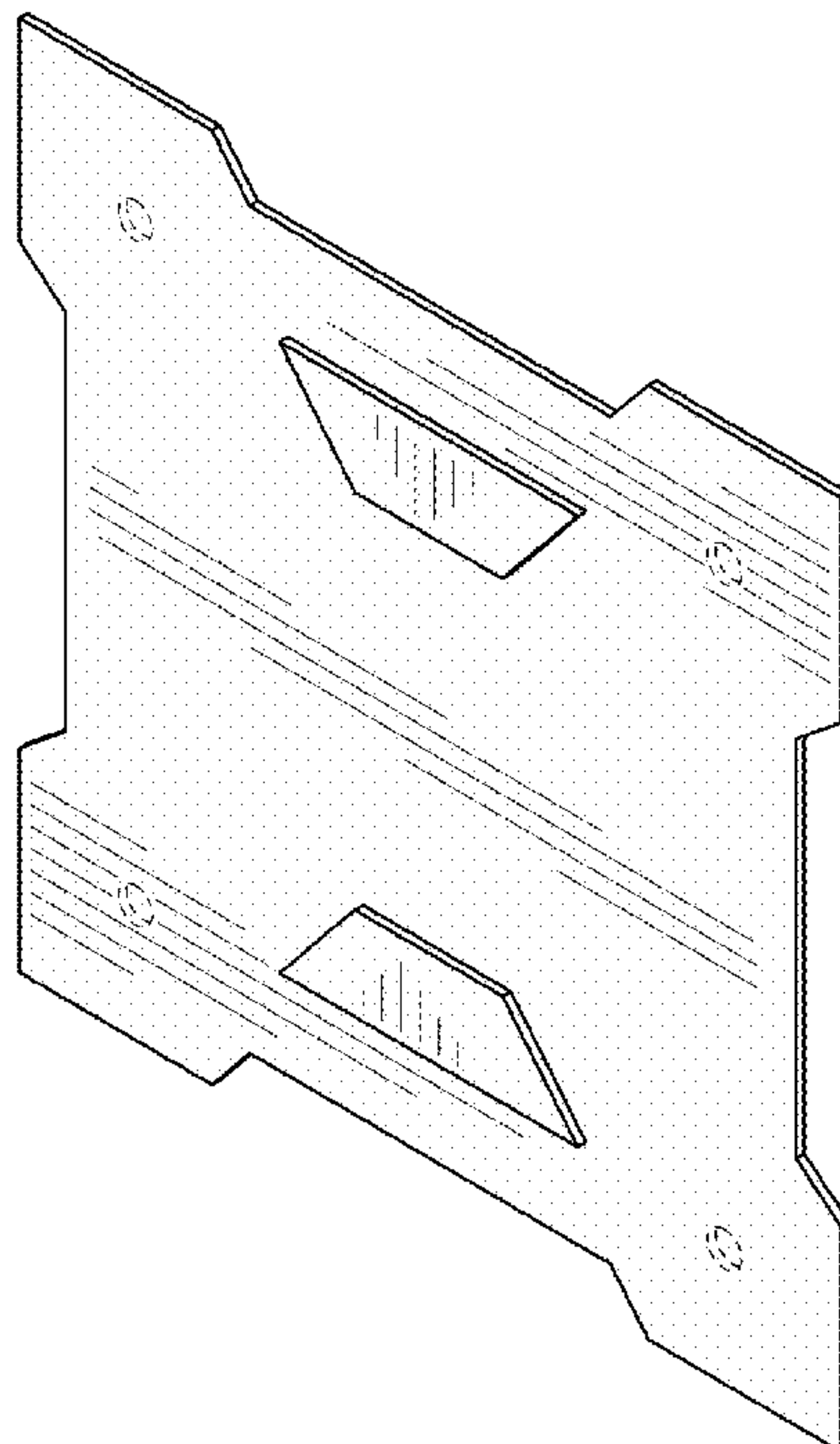
(57) **CLAIM**

The ornamental design for a tag, as shown and described.

DESCRIPTION

FIG. 1 is a perspective view of a tag showing my new design;
 FIG. 2 is a top view thereof;
 FIG. 3 is a bottom view thereof;
 FIG. 4 is a first side view thereof;
 FIG. 5 is a second side view thereof;
 FIG. 6 is a front view thereof;
 FIG. 7 is a back view thereof;
 FIG. 8 is a perspective view of a tag in an environment of use; and,
 FIG. 9 is a perspective view of a tag in an alternate environment of use.
 The broken line portion of the figure drawings is included to show portions of the article and environment that form no part of the claimed design.

1 Claim, 5 Drawing Sheets



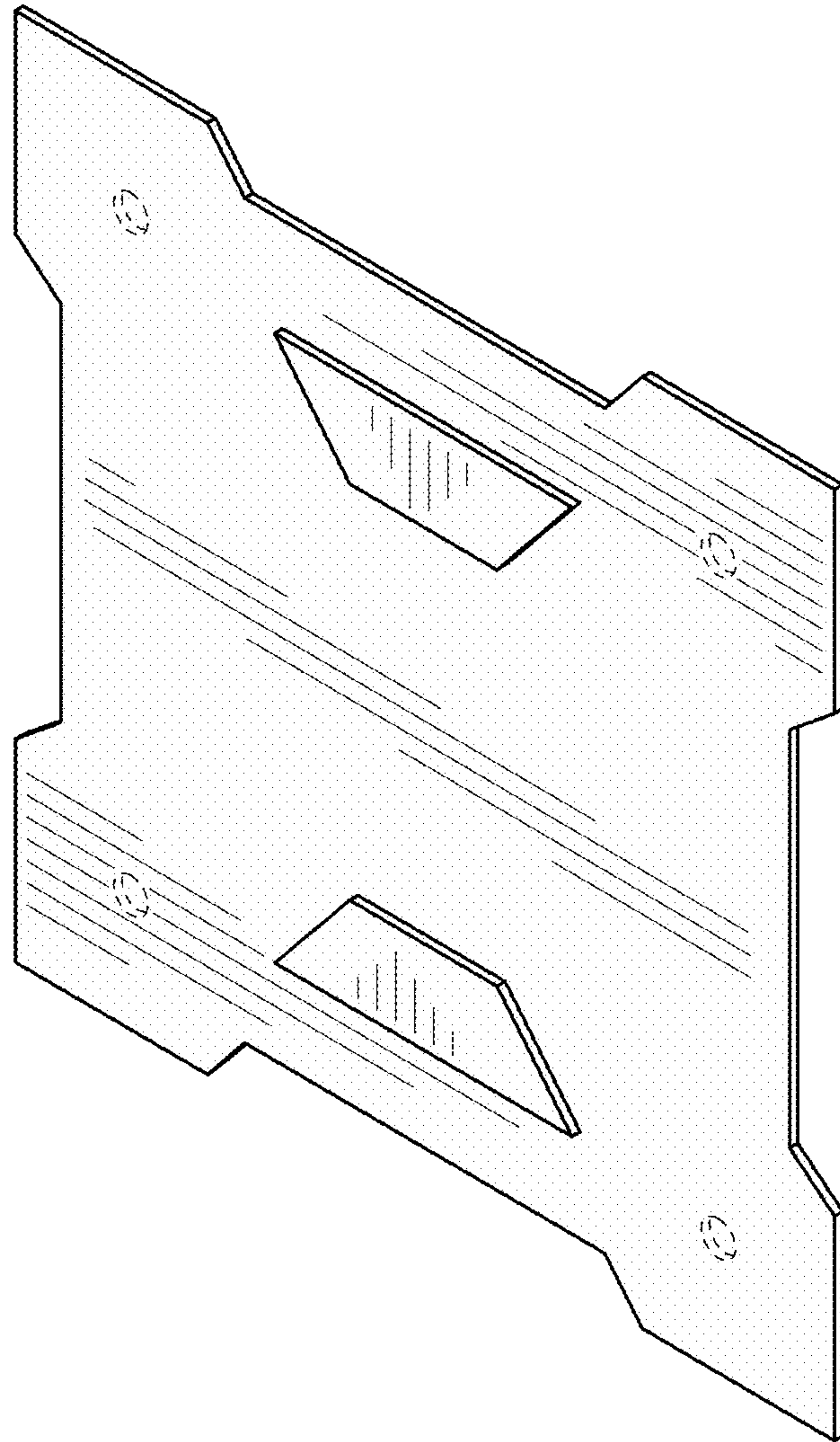


FIG. 1

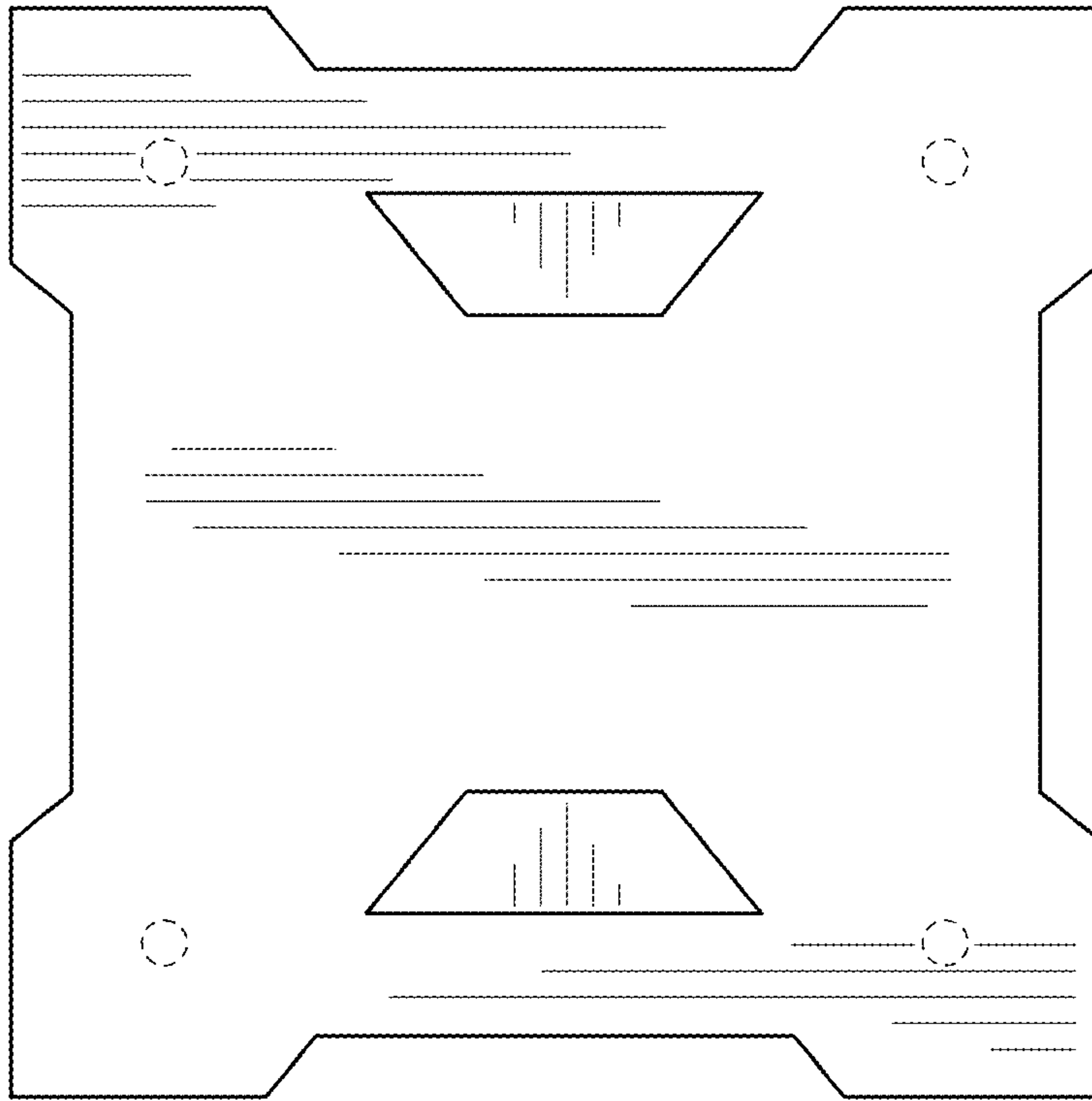


FIG. 2

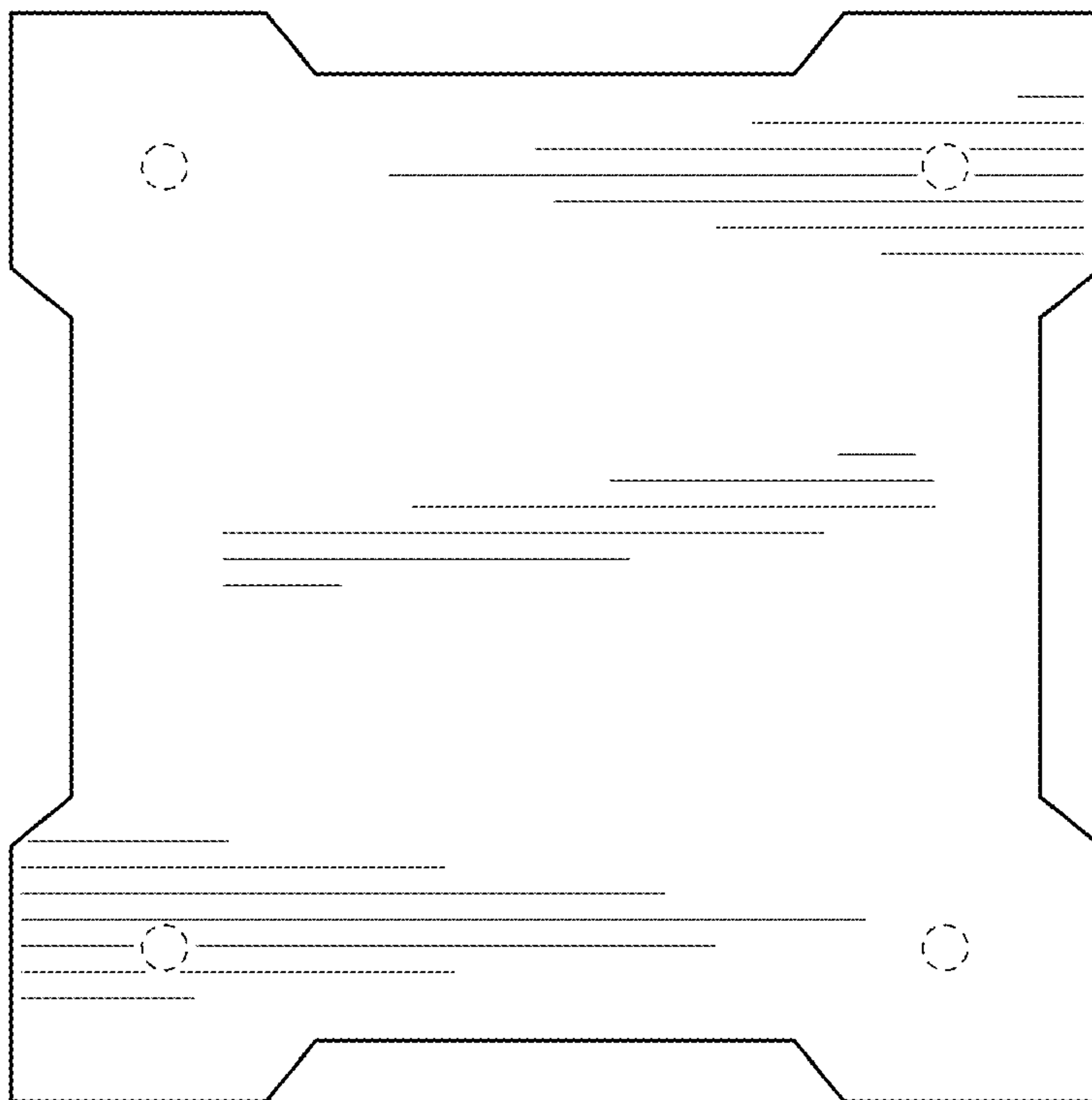


FIG. 3



FIG. 4

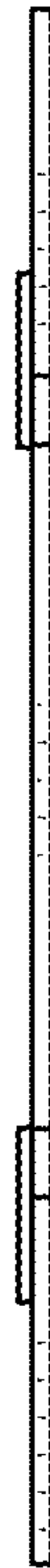


FIG. 5

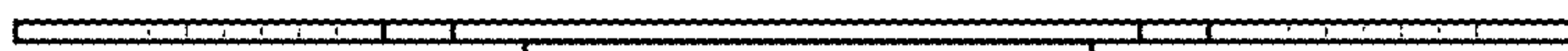


FIG. 6

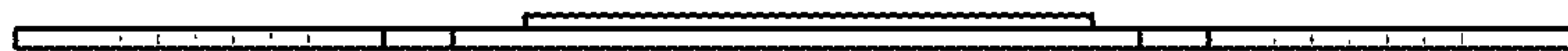


FIG. 7

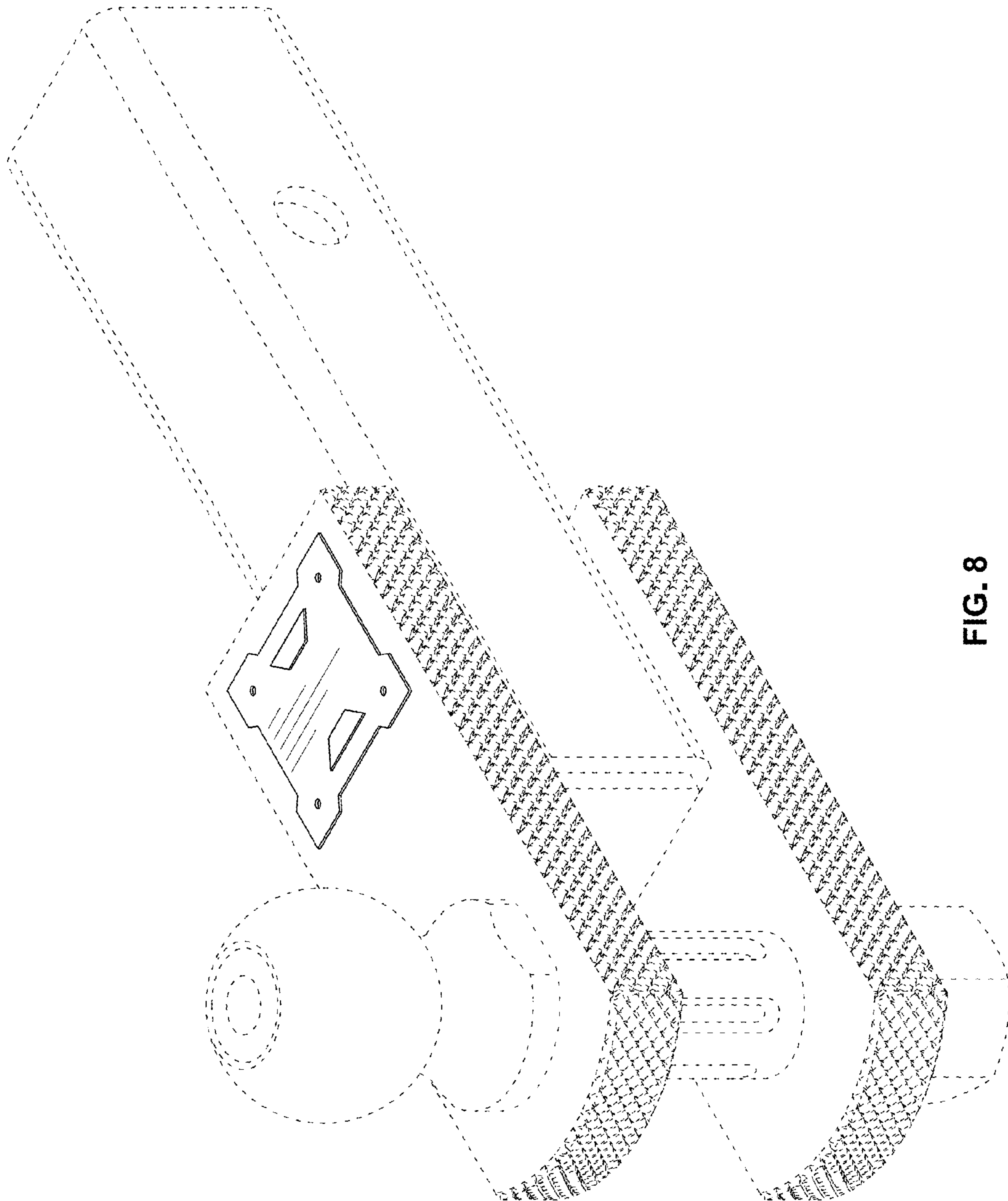


FIG. 8

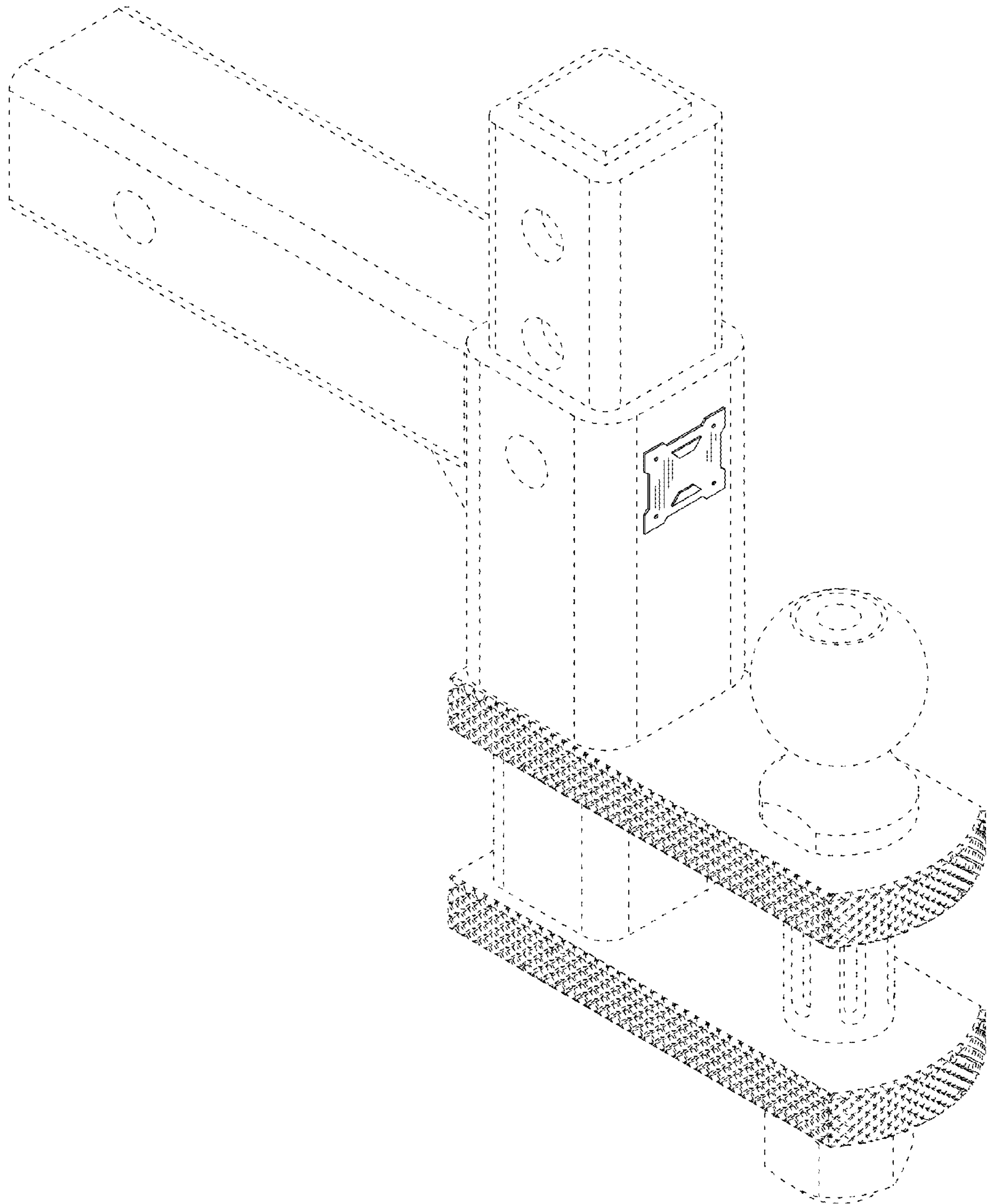


FIG. 9