

US00D894798S

(12) **United States Design Patent**
Cordeiro

(10) **Patent No.:** **US D894,798 S**

(45) **Date of Patent:** **** Sep. 1, 2020**

(54) **RECEIVER HOLSTER**

Primary Examiner — Katrina A Betton

(71) Applicant: **Jose C. Cordeiro**, Cambridge (CA)

(57) **CLAIM**

(72) Inventor: **Jose C. Cordeiro**, Cambridge (CA)

The ornamental design for a receiver holster, as shown and described.

(**) Term: **15 Years**

DESCRIPTION

(21) Appl. No.: **29/640,779**

(22) Filed: **Mar. 16, 2018**

(30) **Foreign Application Priority Data**

Nov. 3, 2017 (CA) 178032

(51) **LOC (12) Cl.** **12-16**

(52) **U.S. Cl.**
USPC **D12/162**

(58) **Field of Classification Search**
USPC D12/159–162
CPC . B60D 1/60; B60D 1/065; B60D 1/00; B60D
1/06; B60D 1/36

See application file for complete search history.

FIG. 1 is a top perspective view thereof;
FIG. 2 is a bottom perspective view thereof;
FIG. 3 is a right side view thereof;
FIG. 4 is a front view thereof;
FIG. 5 is a left side view thereof;
FIG. 6 is a back view thereof;
FIG. 7 is a bottom view thereof;
FIG. 8 is a top view thereof;
FIG. 9 is a bottom view of another embodiment of the receiver holster;
FIG. 10 is a top view thereof;
FIG. 11 is a right side view thereof;
FIG. 12 is a front view thereof;
FIG. 13 is a left side view thereof;
FIG. 14 is a back view thereof;
FIG. 15 is a top perspective view of another embodiment of the receiver holster;
FIG. 16 is a bottom perspective view thereof;
FIG. 17 is a right side view thereof;
FIG. 18 is a front view thereof;
FIG. 19 is a bottom view thereof; and,
FIG. 20 is a top view thereof.

(56) **References Cited**

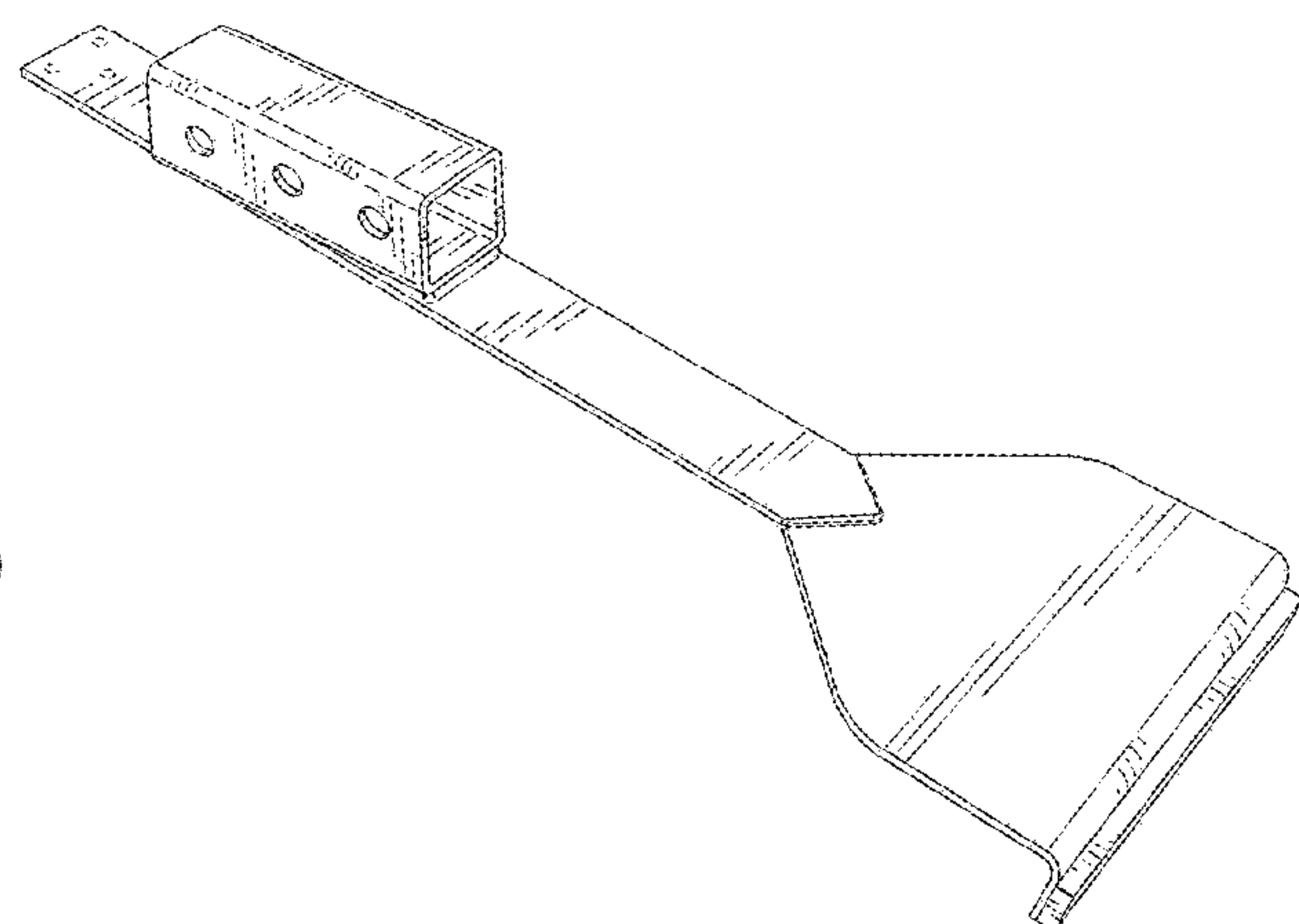
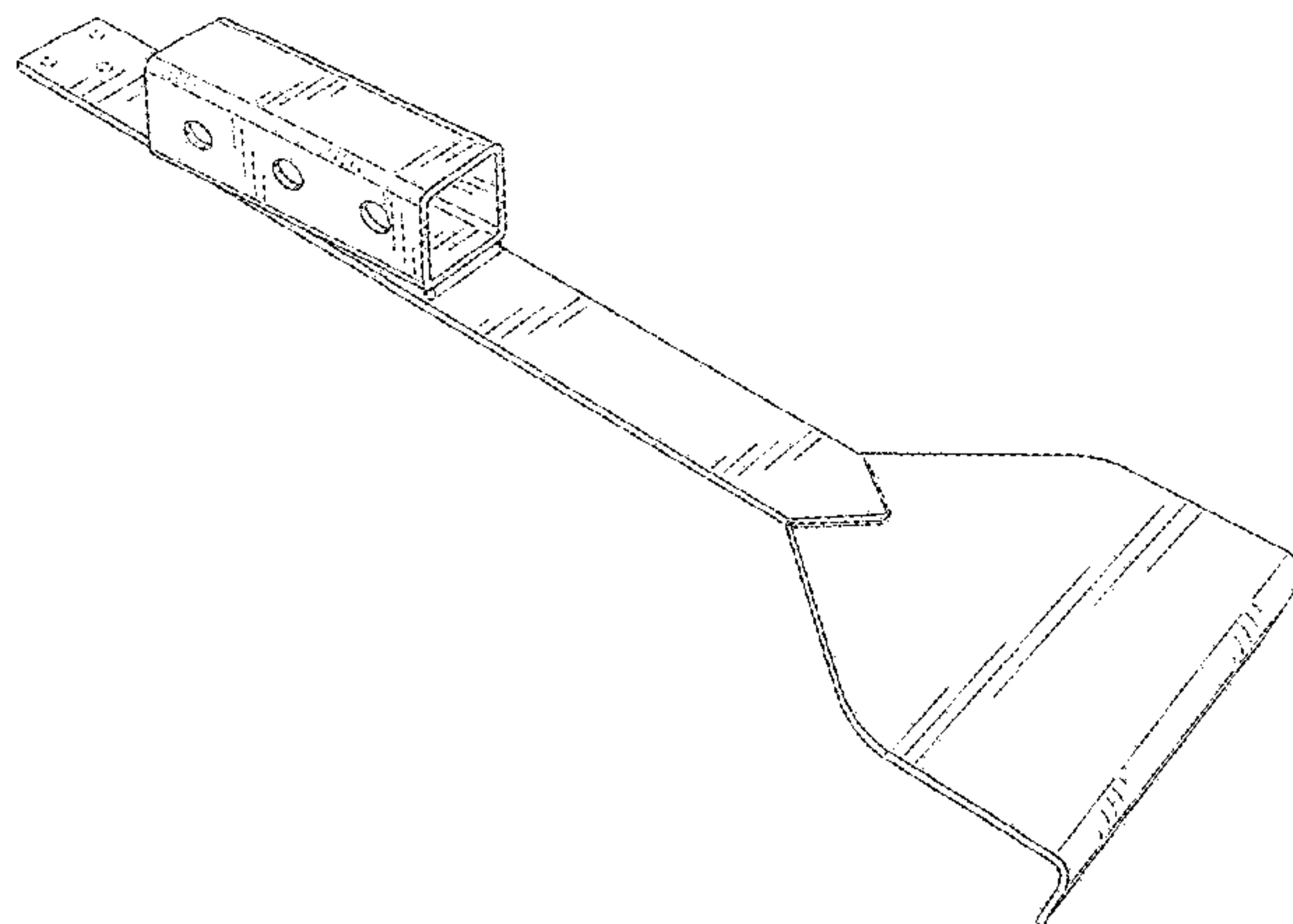
U.S. PATENT DOCUMENTS

- D414,732 S * 10/1999 Redmond D12/162
- D862,306 S * 10/2019 Porath B60D 1/605
D12/162
- D862,308 S * 10/2019 Siegel D12/162
- D867,228 S * 11/2019 DePietro D12/162
- D870,605 S * 12/2019 Huebner D12/162
- D873,723 S * 1/2020 Borkholder D12/162
- D875,620 S * 2/2020 Watson D12/162
- D879,670 S * 3/2020 Borkholder D12/162
- D880,376 S * 4/2020 Goodner D12/162
- D880,377 S * 4/2020 Spencer D12/162

In FIGS. 1, 2, 7, 8, 15, 16, 19, and 20, the portions shown in stippled lines do not form part of the design in the respective views.
Only one side view of the second variant of the receiver holster is provided in FIG. 17 because the other side view is the mirror image thereof.

* cited by examiner

1 Claim, 12 Drawing Sheets



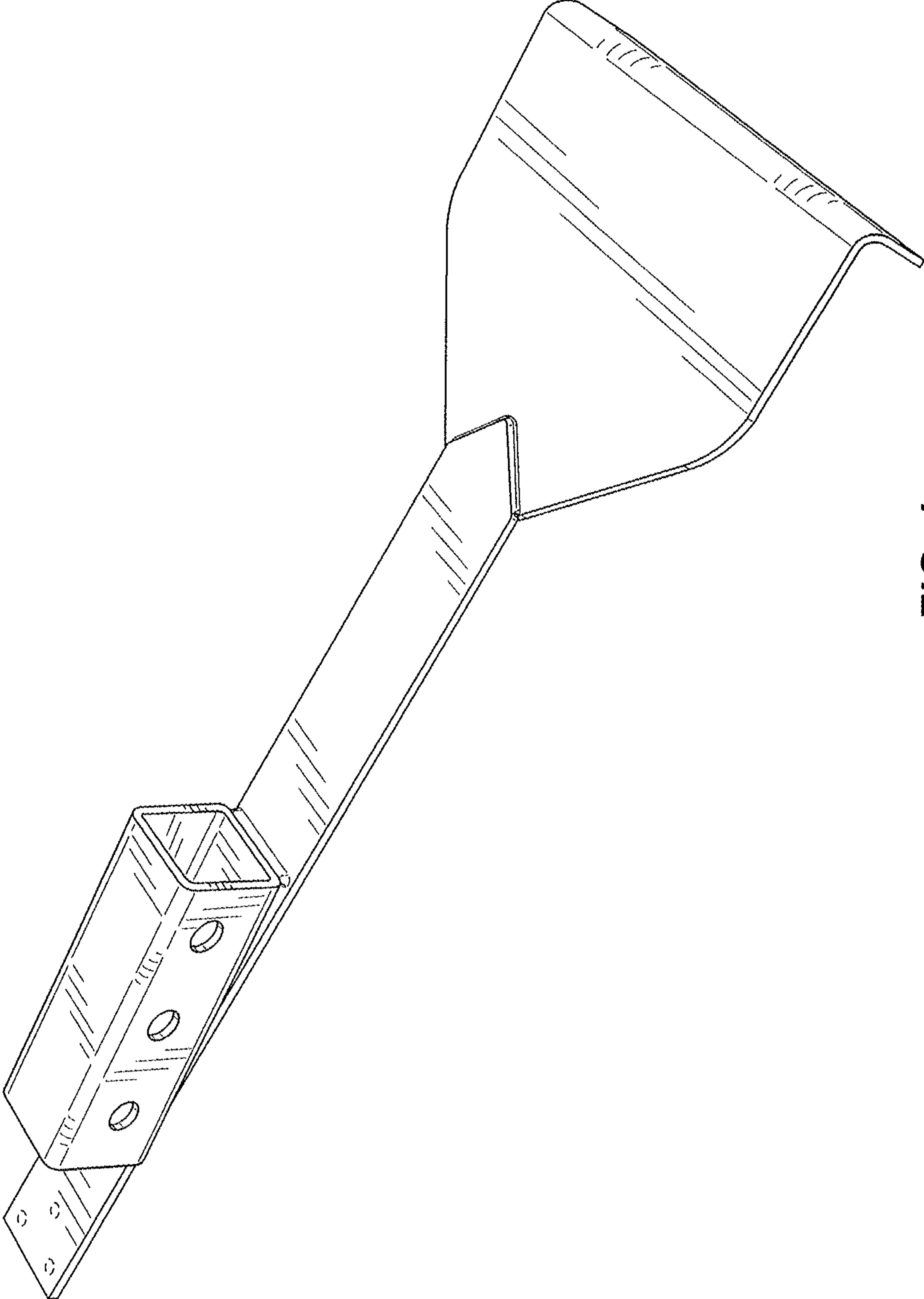


FIG. 1

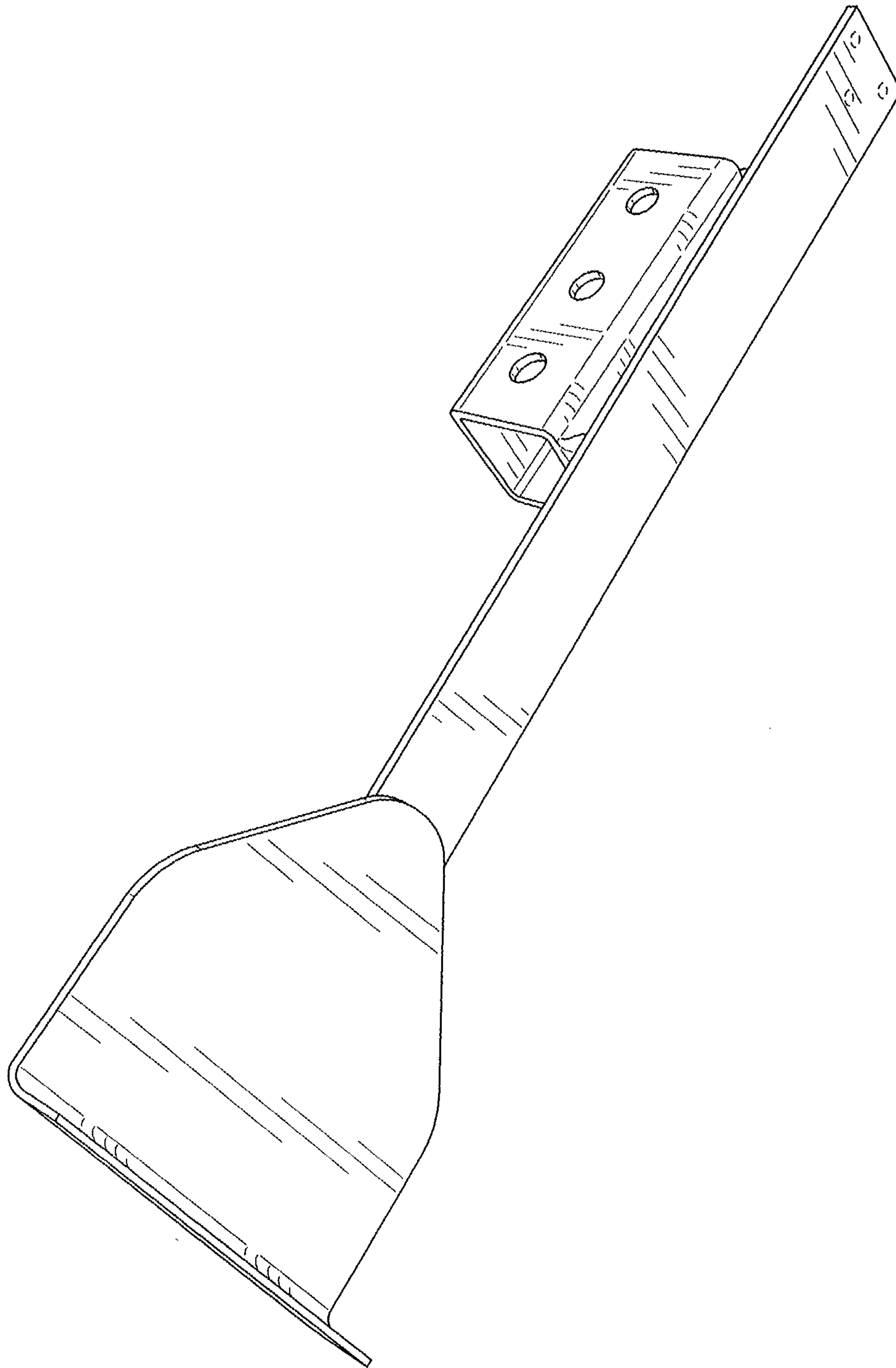


FIG. 2

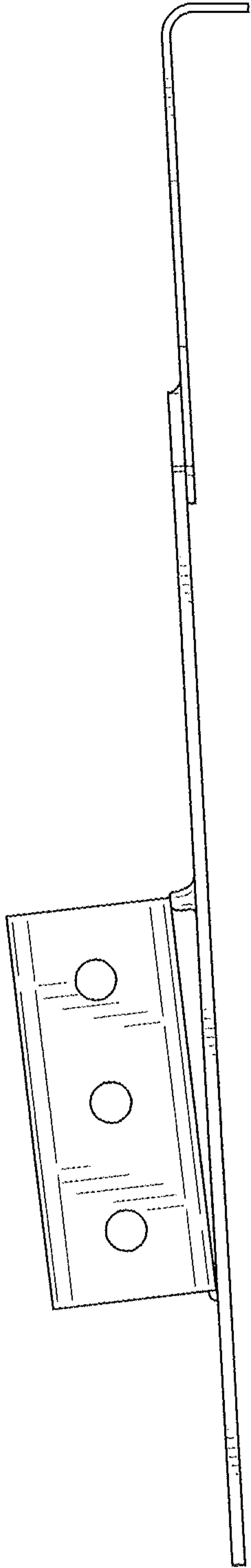


FIG. 3

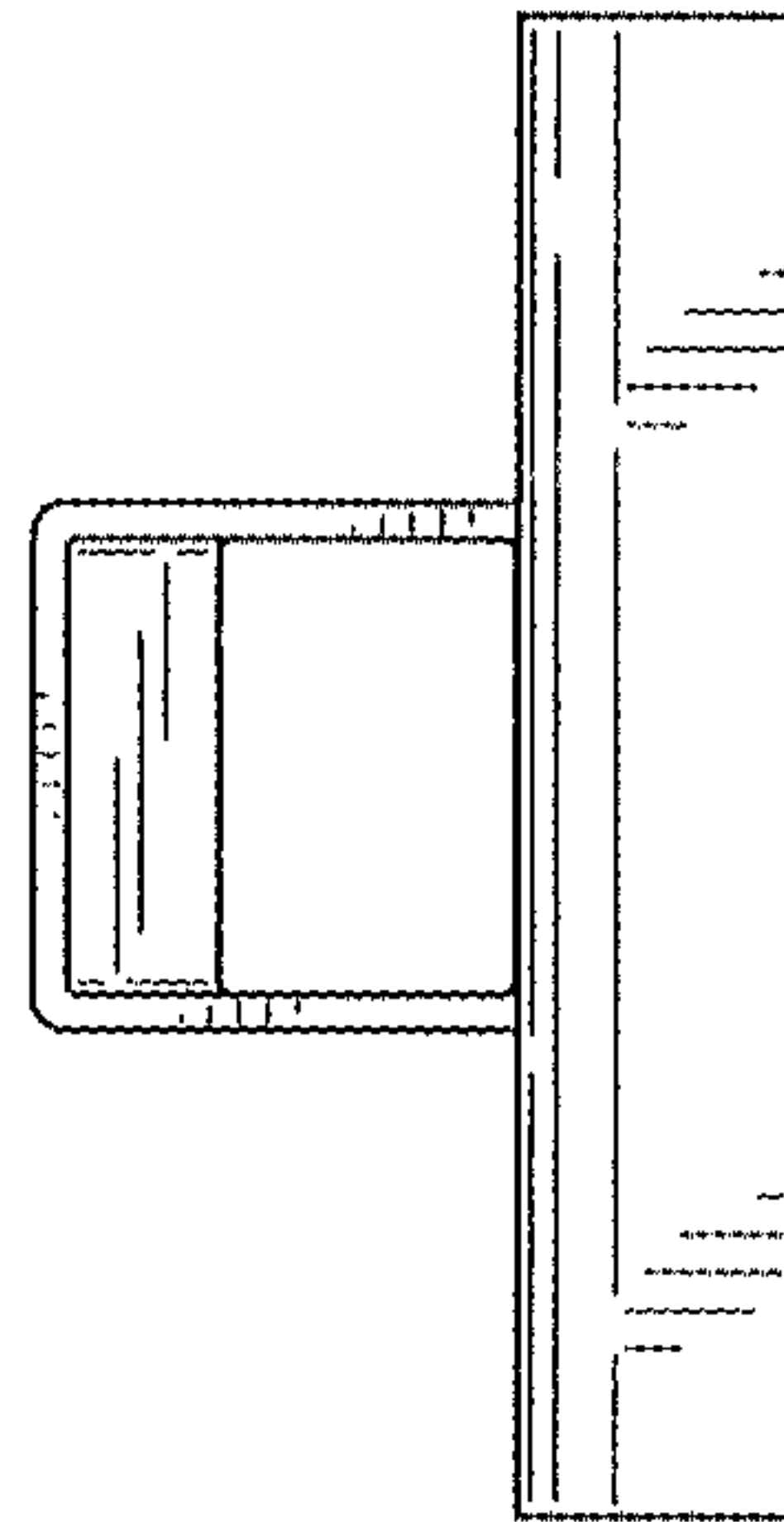


FIG. 4

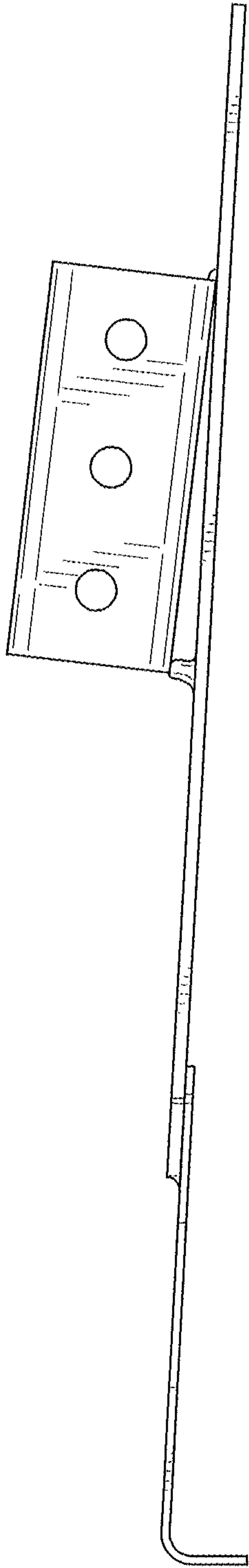


FIG. 5

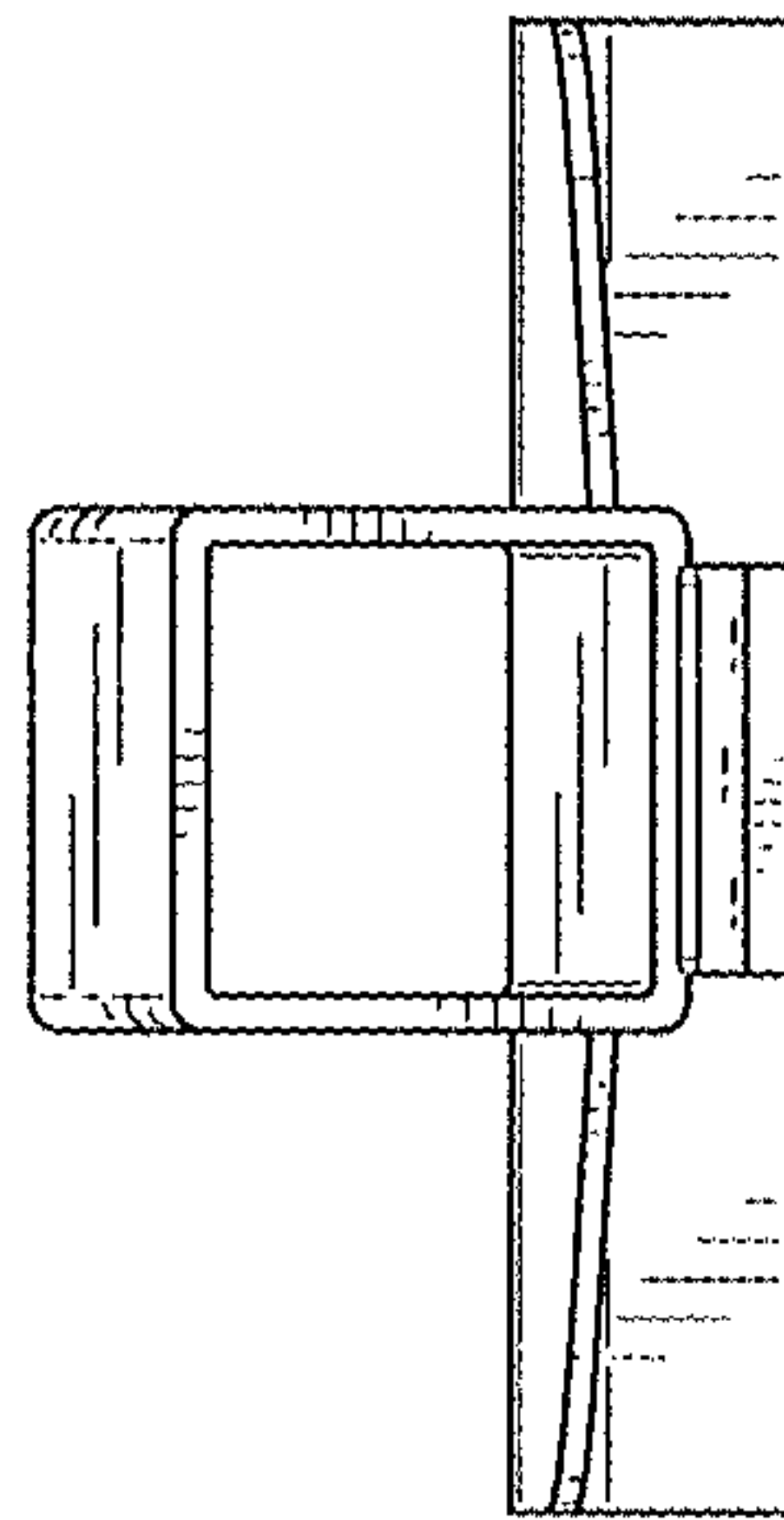


FIG. 6

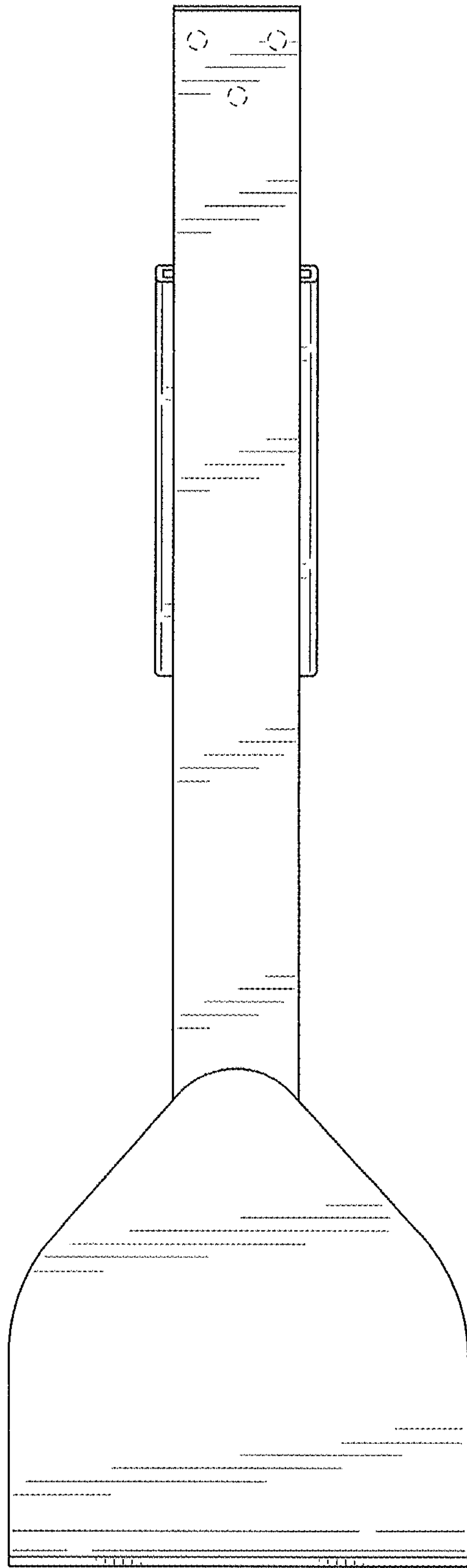


FIG. 7

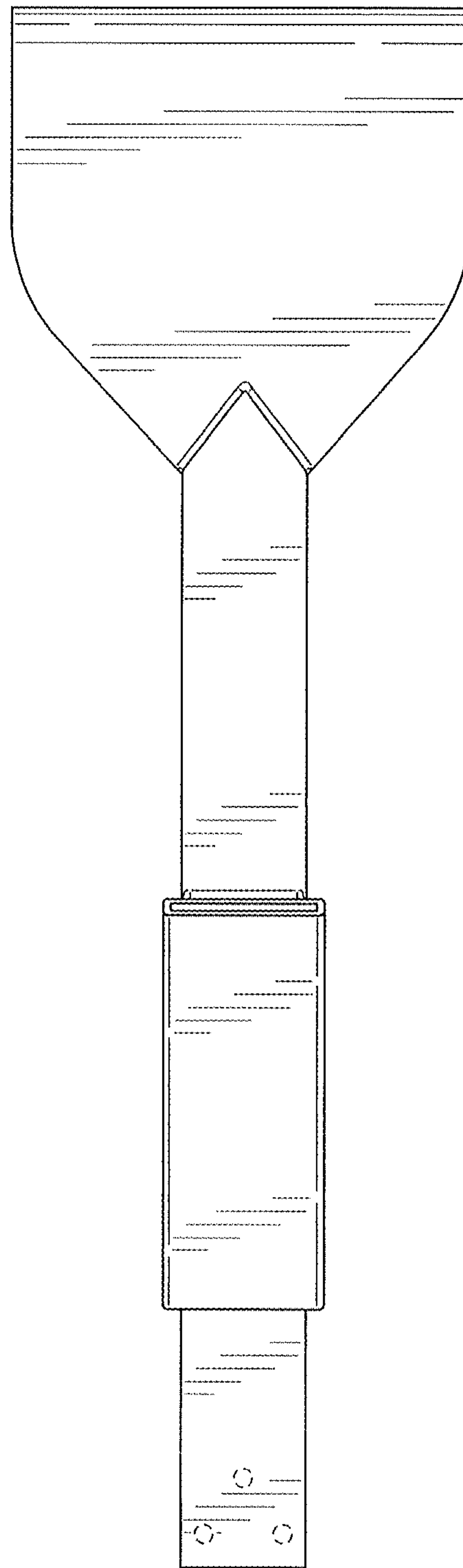


FIG. 8

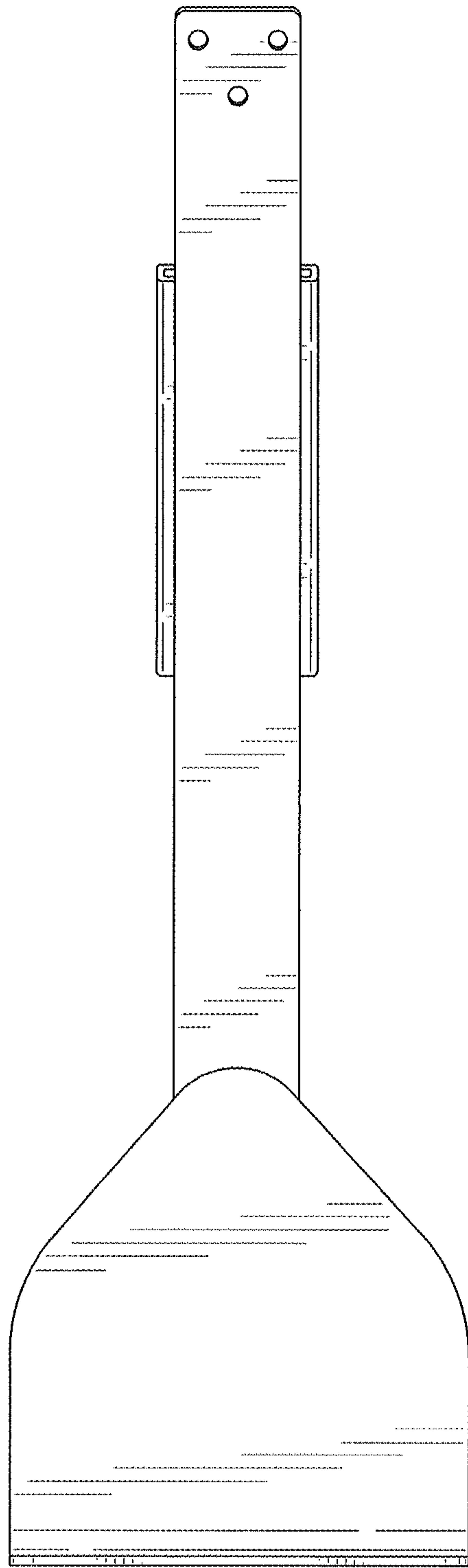


FIG. 9

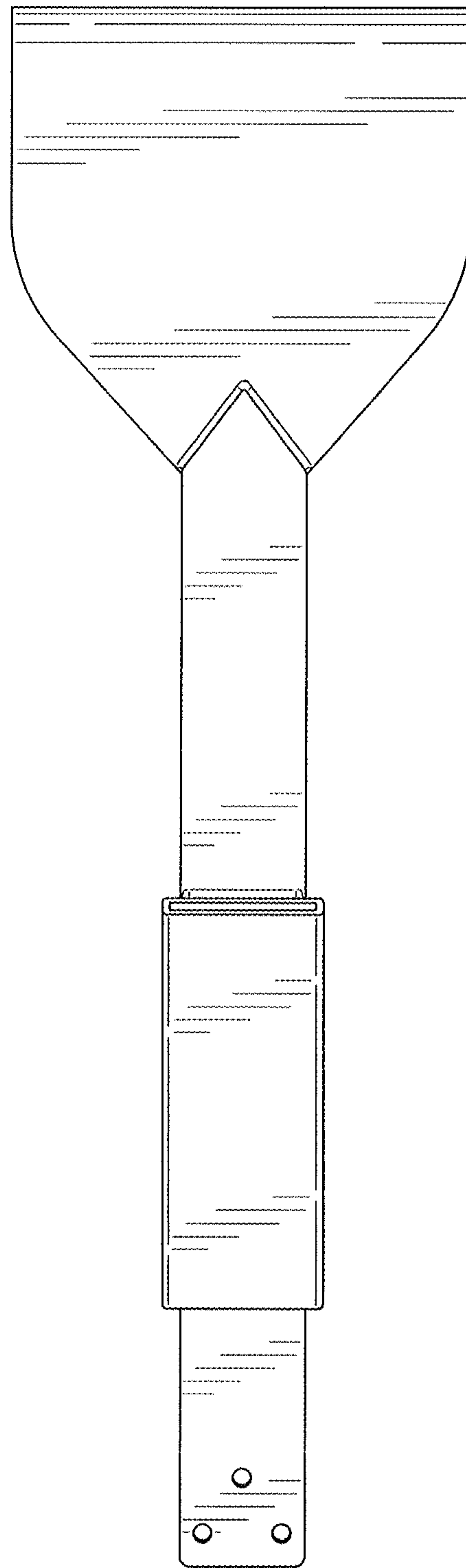


FIG. 10

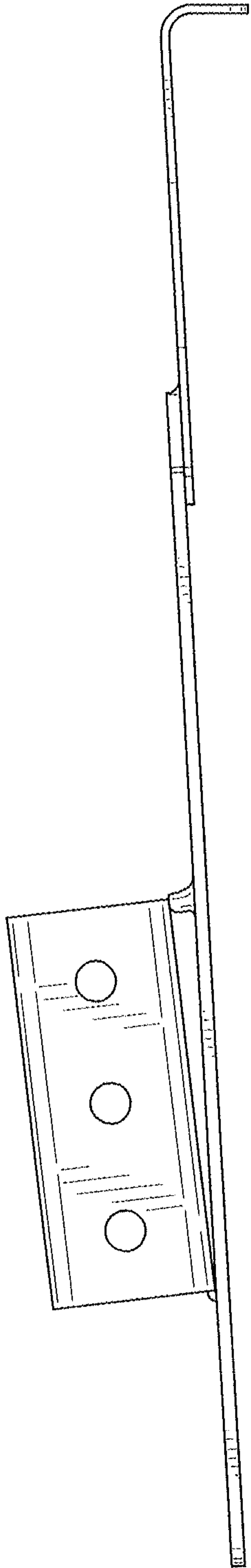


FIG. 11

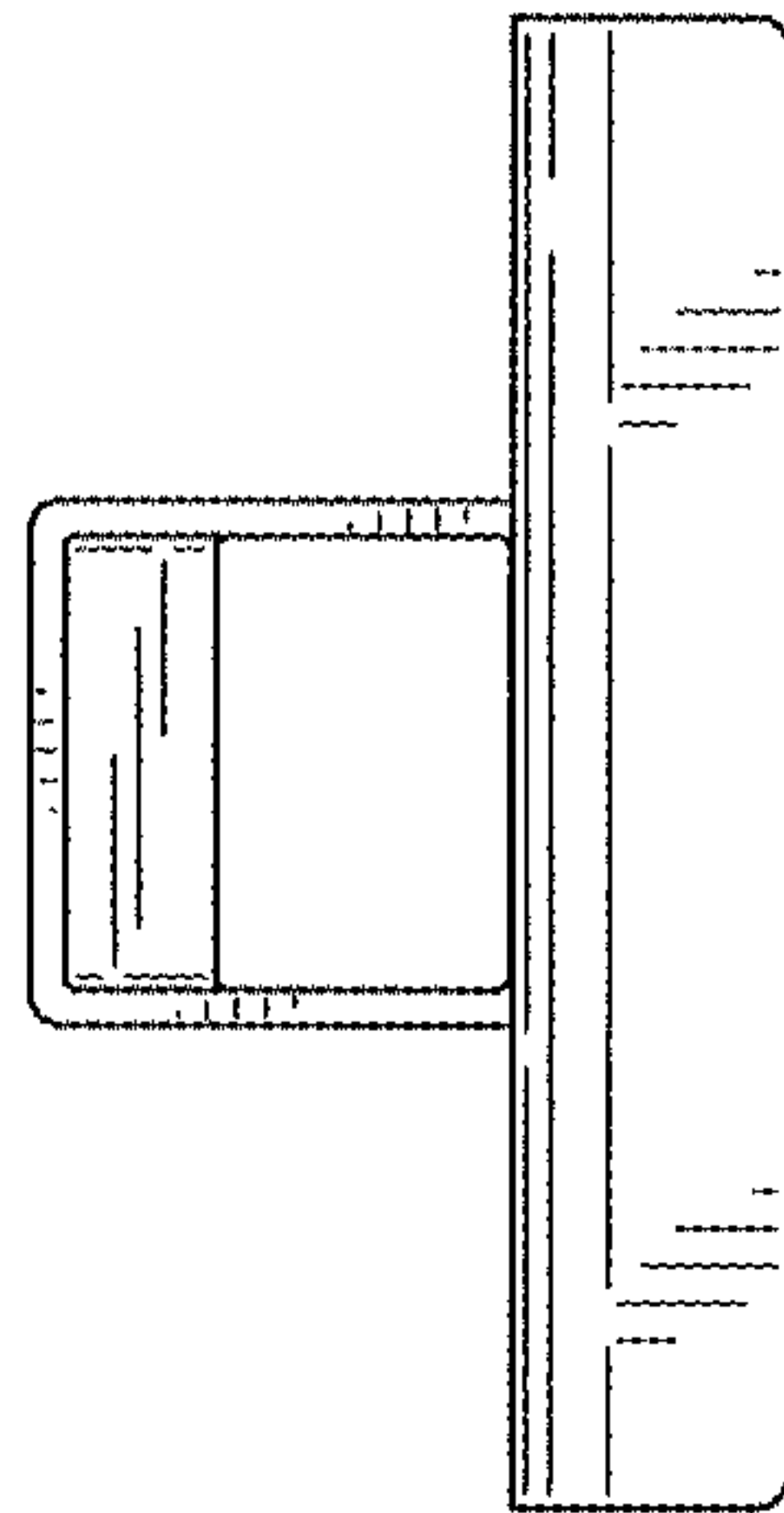


FIG. 12

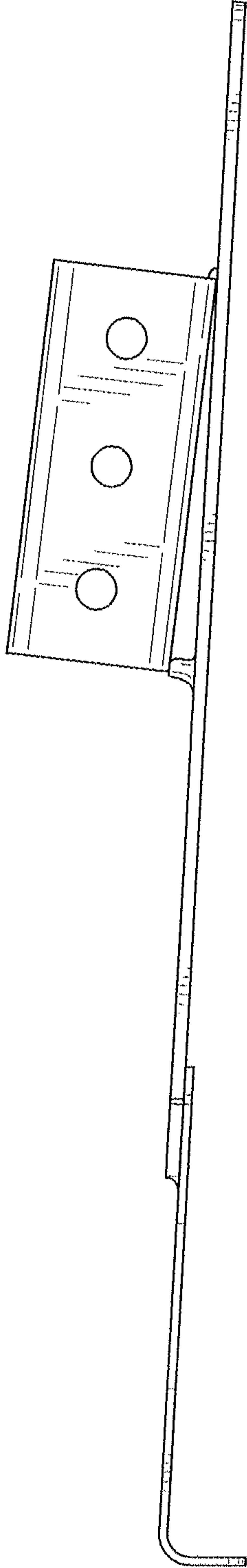


FIG. 13

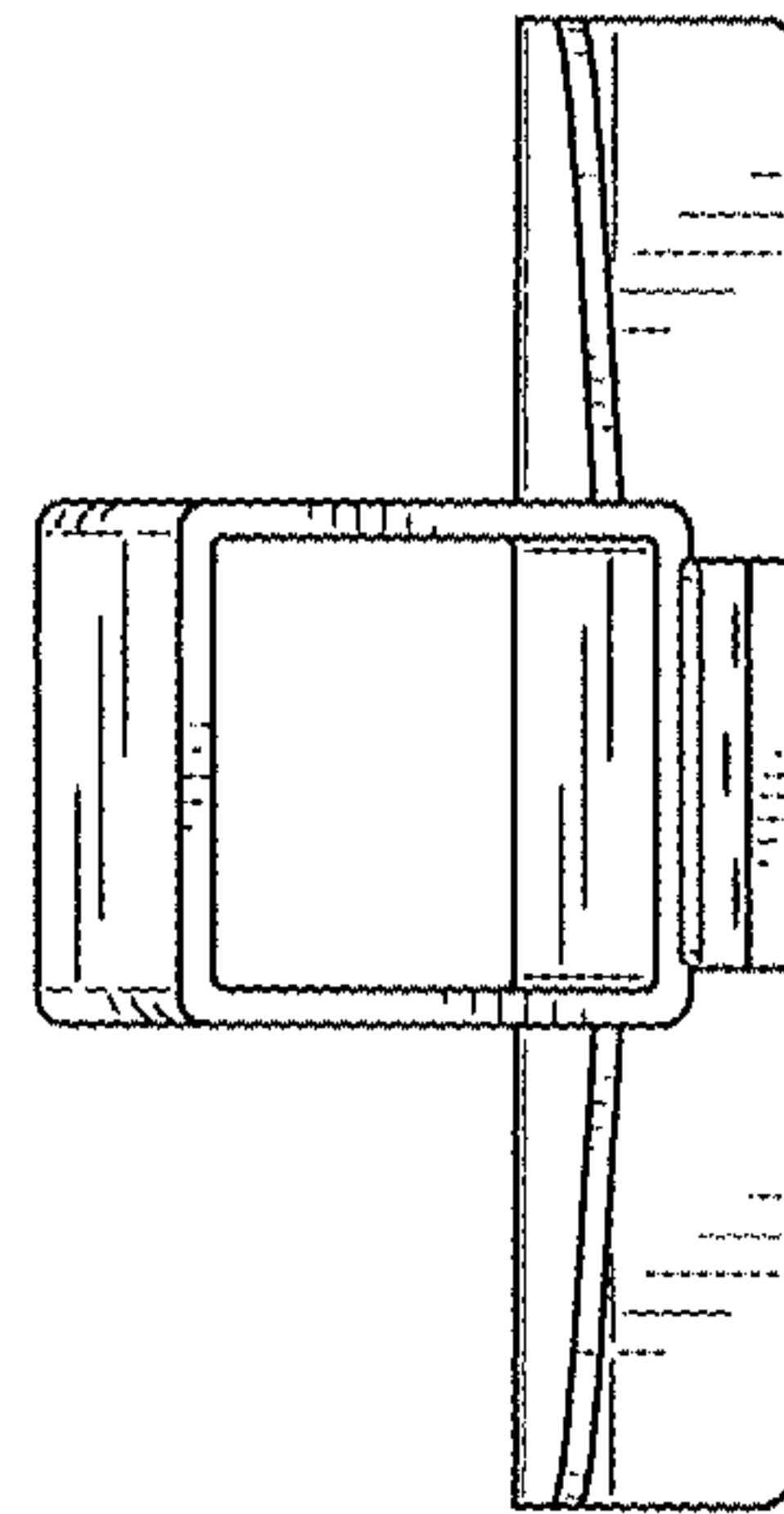


FIG. 14

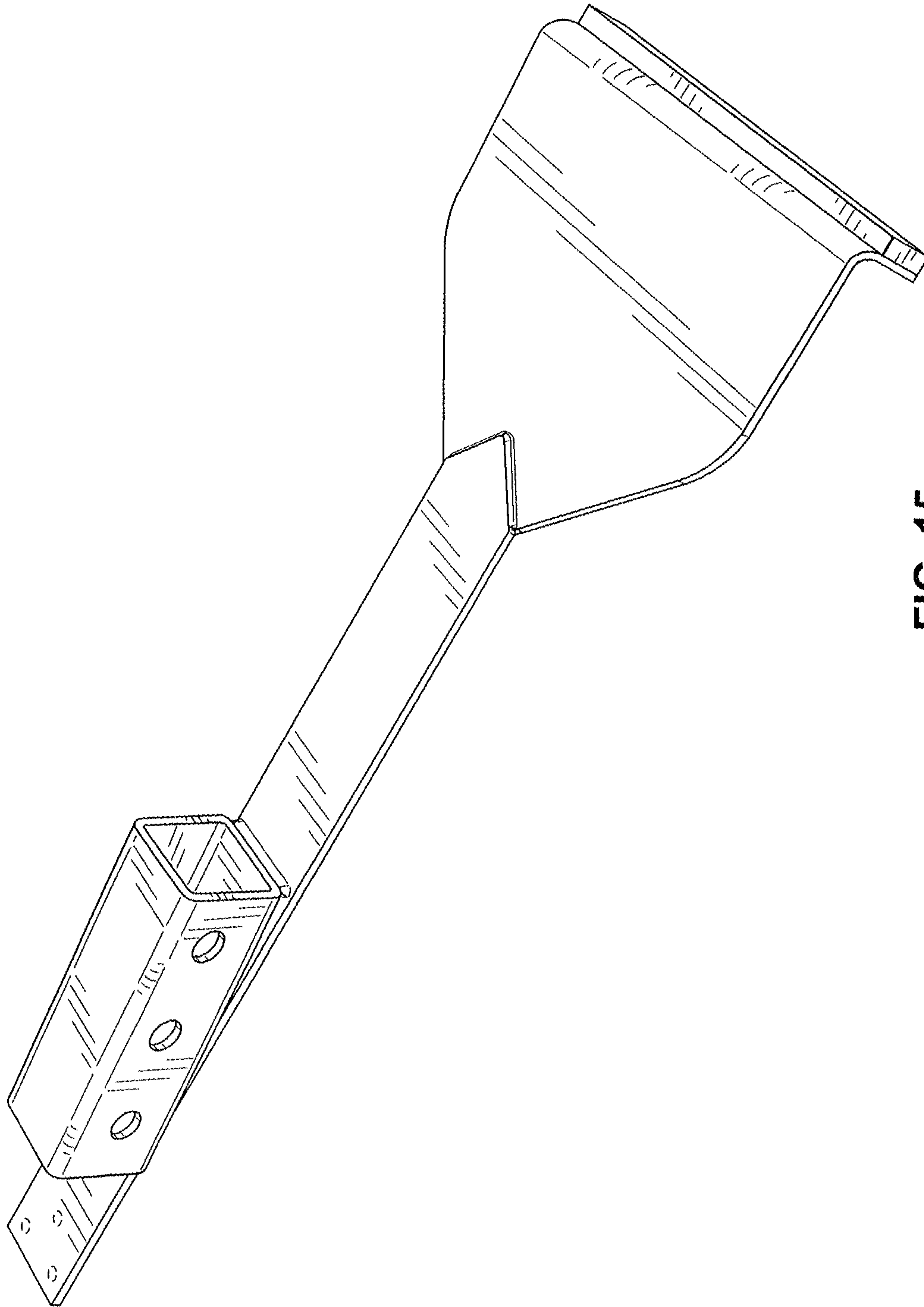


FIG. 15

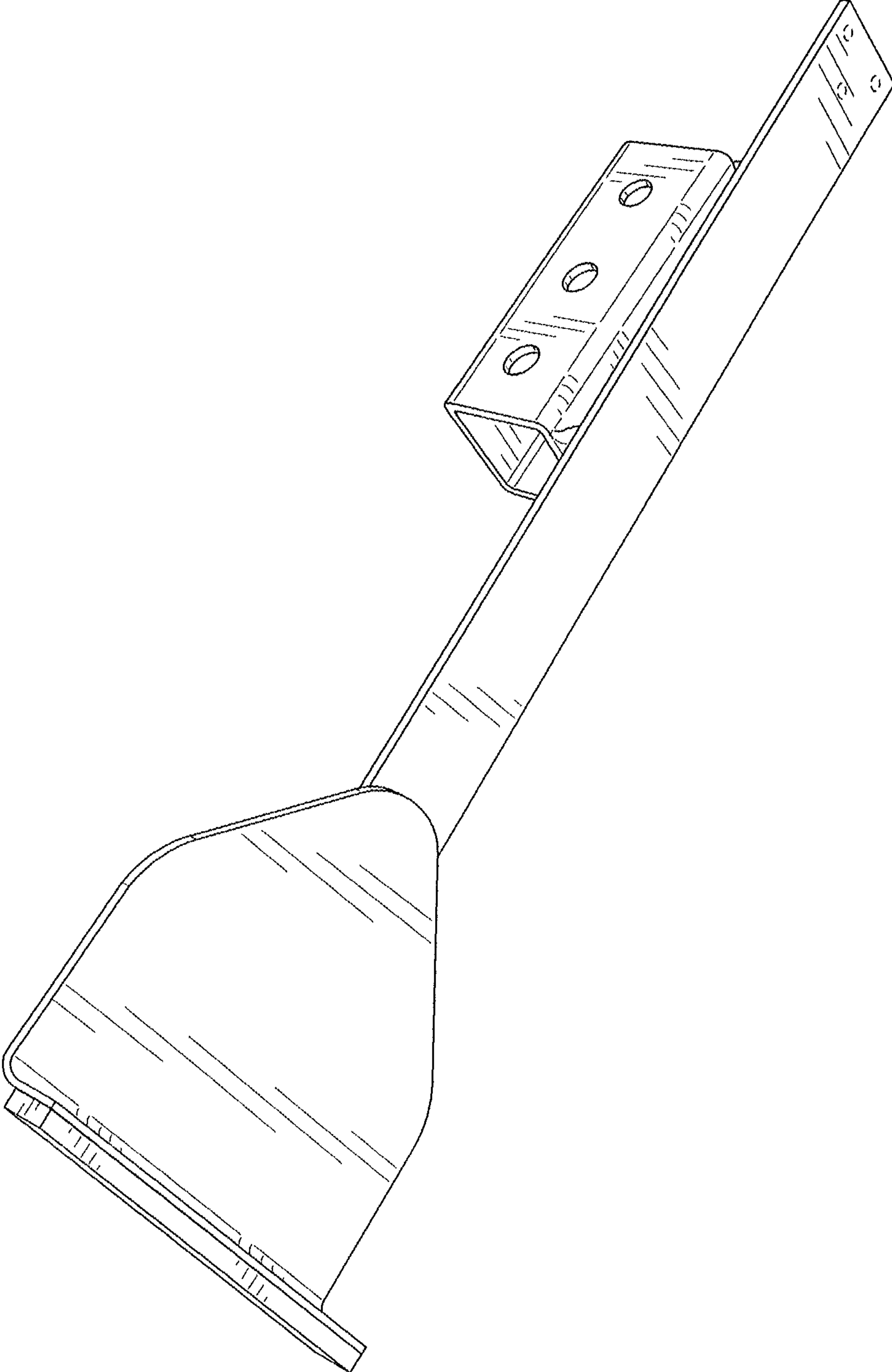


FIG. 16

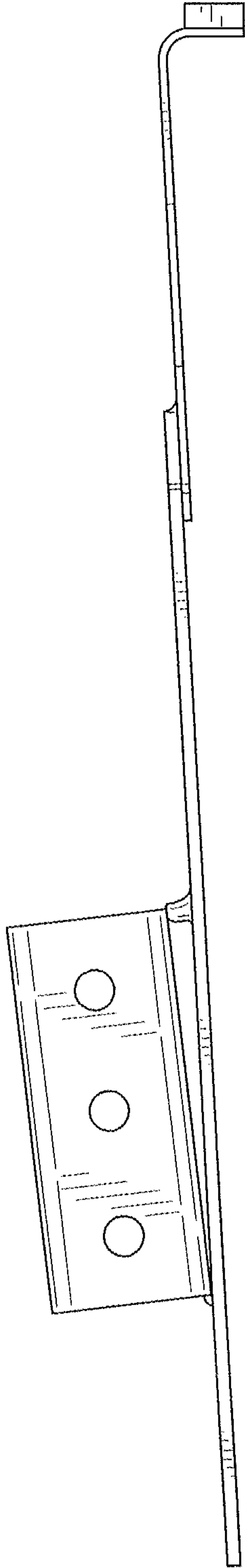


FIG. 17

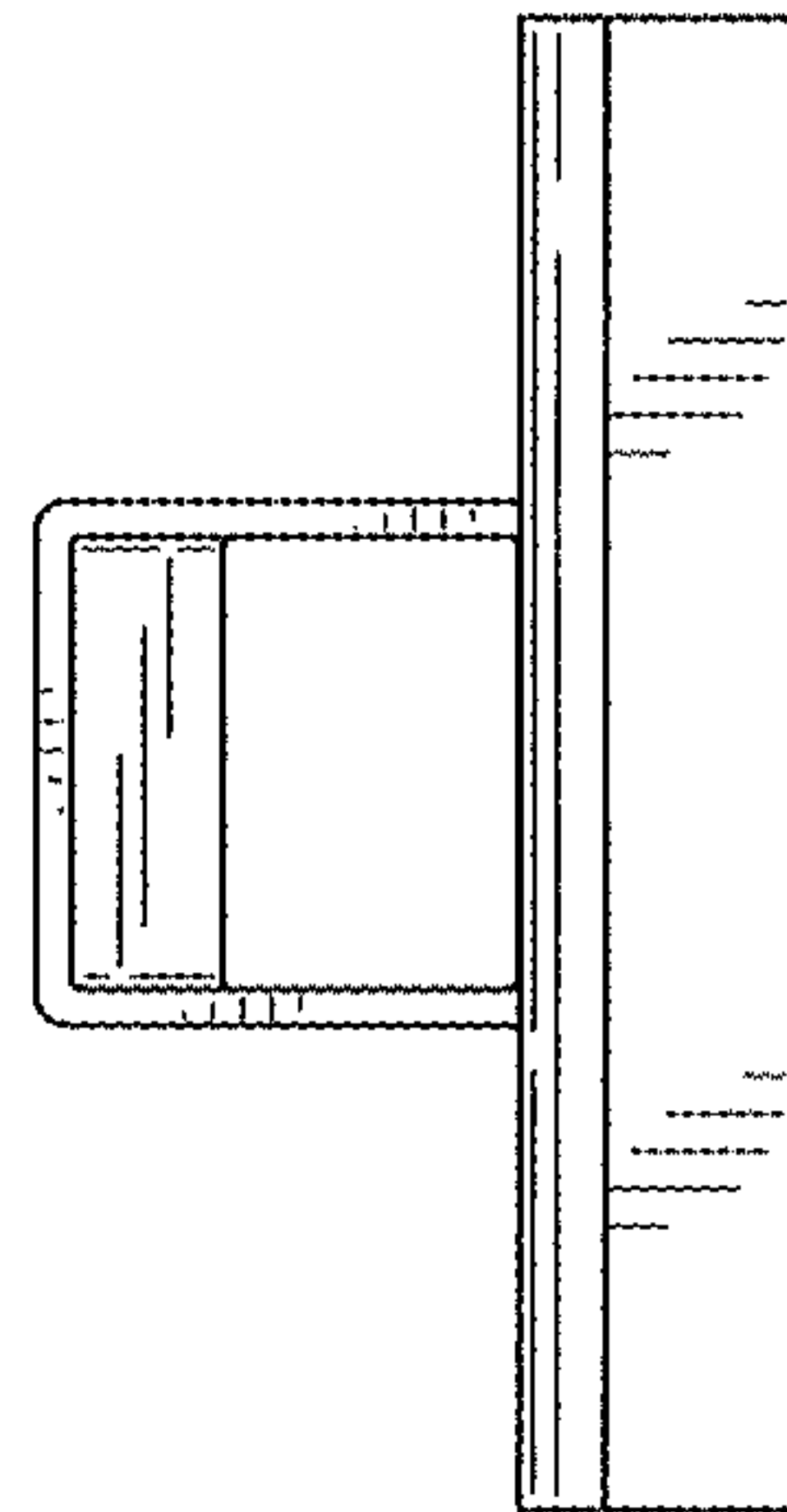


FIG. 18

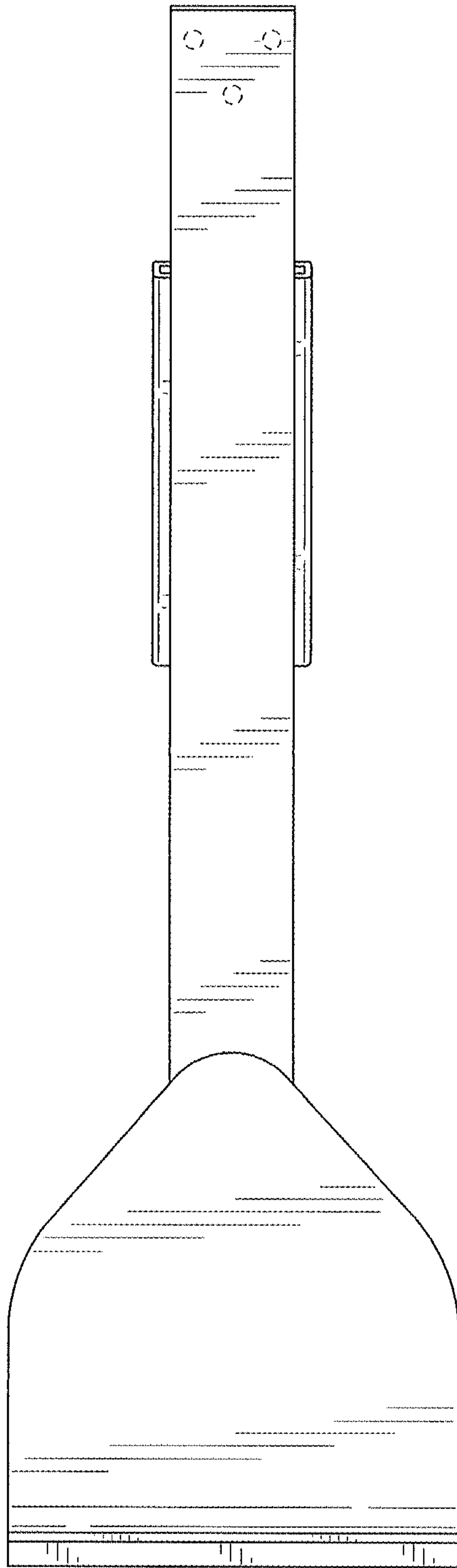


FIG. 19

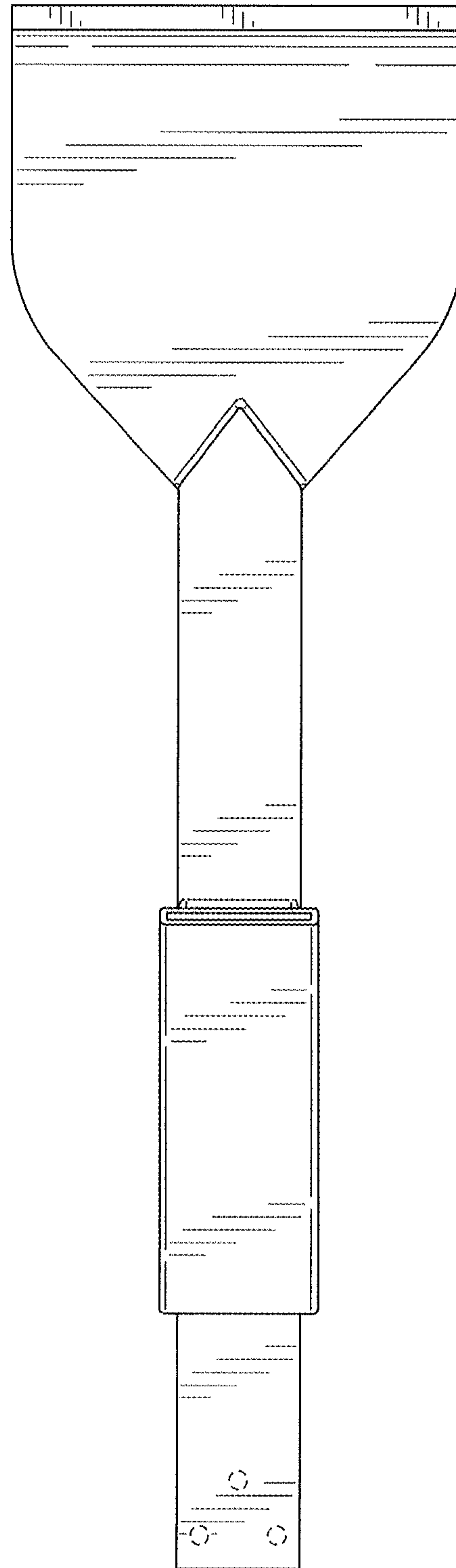


FIG. 20