



US00D894794S

(12) **United States Design Patent**
Virgo et al.

(10) **Patent No.:** **US D894,794 S**

(45) **Date of Patent:** **** Sep. 1, 2020**

(54) **MOBILITY AID**

(71) Applicants: **Carolyn Virgo**, Los Angeles, CA (US);
Steven Montgomery, Los Angeles, CA
(US); **Robert Shuman**, Granada Hills,
CA (US)

(72) Inventors: **Carolyn Virgo**, Los Angeles, CA (US);
Steven Montgomery, Los Angeles, CA
(US); **Robert Shuman**, Granada Hills,
CA (US)

(**) Term: **15 Years**

(21) Appl. No.: **29/734,707**

(22) Filed: **May 14, 2020**

Related U.S. Application Data

(63) Continuation-in-part of application No. 16/158,796,
filed on Oct. 12, 2018.

(51) **LOC (12) Cl.** **12-12**

(52) **U.S. Cl.**
USPC **D12/133**

(58) **Field of Classification Search**
USPC D12/128-133
See application file for complete search history.

(56) **References Cited**

U.S. PATENT DOCUMENTS

267,680	A	11/1882	Crandall	
2,989,114	A	6/1961	Ecroyd	
3,692,359	A *	9/1972	Boucher A47D 13/043 297/259.4
3,633,906	A	11/1972	Fowler	
3,739,793	A	6/1973	Wilson	
4,705,287	A *	11/1987	Cumbe A61G 5/10 211/88.01
4,800,910	A *	1/1989	Gamm A61H 3/04 135/67
5,375,911	A	12/1994	Morrow	

D363,051	S *	10/1995	Lanzillo D12/130
5,579,793	A *	12/1996	Gajewski A61H 3/04 135/67
5,586,957	A	12/1996	Wilkinson	
5,782,256	A *	7/1998	Bradley A61H 3/04 135/77
5,788,608	A	8/1998	Wilkinson	
D404,345	S *	1/1999	Donets D12/130
6,056,673	A	5/2000	Arrecis	
7,229,101	B2	6/2007	Lenhart	
D592,373	S	5/2009	Evans	

(Continued)

OTHER PUBLICATIONS

amazon.com, Jun. 8, 2018, Internet printout: <https://www.amazon.com/081561661-Lightweight-Aluminum-Rollator-Stabilizer/dp/B0754R8V6B>.

(Continued)

Primary Examiner — Charles D Hanson

(74) *Attorney, Agent, or Firm* — Todd R. Miller

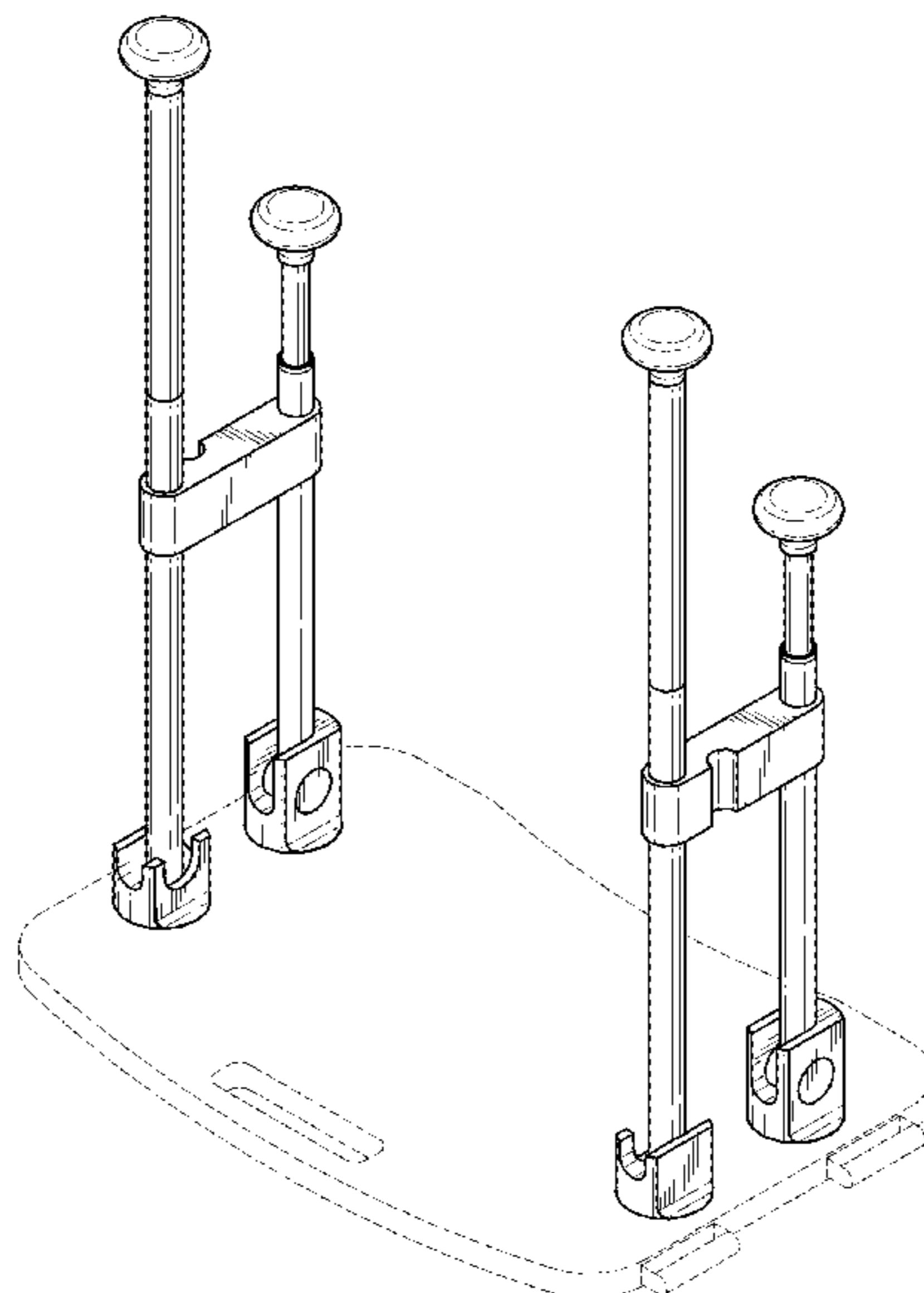
(57) **CLAIM**

The ornamental design for a mobility aid, as shown and described.

DESCRIPTION

FIG. 1 is a perspective view embodying the inventive design;
FIG. 2 is a rear view thereof;
FIG. 3 is a right side view thereof;
FIG. 4 is a left side thereof
FIG. 5 is a front view thereof;
FIG. 6 is a top view thereof; and,
FIG. 7 is another perspective view thereof, showing the design in its collapsed, portable state.
The broken lines are directed to environment and form no part of the claimed design.

1 Claim, 7 Drawing Sheets



(56)

References Cited

U.S. PATENT DOCUMENTS

8,789,547 B1 * 7/2014 Reda A61H 3/0288
135/77
D731,366 S * 6/2015 Gingras D12/133
D743,305 S 11/2015 Childs
D749,018 S 2/2016 Fox
D780,642 S 3/2017 Karshmer
D834,462 S * 11/2018 Kutsch D12/133
2007/0169308 A1 * 7/2007 Chiu A47B 91/06
16/42 R
2009/0301533 A1 12/2009 Caldwell
2010/0170548 A1 6/2010 Lenhart
2011/0232708 A1 9/2011 Kemp
2013/0180557 A1 7/2013 Triolo
2014/0300071 A1 10/2014 Purdue
2016/0067137 A1 3/2016 Little
2019/0282427 A1 9/2019 Nam

OTHER PUBLICATIONS

arthritissupplies.com, Oct. 24, 2017, Internet printout: <https://www.arthritissupplies.com/sitting-and-standing-devices.html>.
stander.com, Jun. 5, 2019, Internet printout: <https://stander.com/product/4350-ez-fold-n-go-rollator/>.
stander.com, Jun. 5, 2019, Internet printout: <https://stander.com/product/9220-ez-stand-n-go-hd/>.
abilitysuperstore.com, May 14, 2020, Internet printout: <https://www.abilitysuperstore.com/collections/rising-aids>.

* cited by examiner

FIG. 1

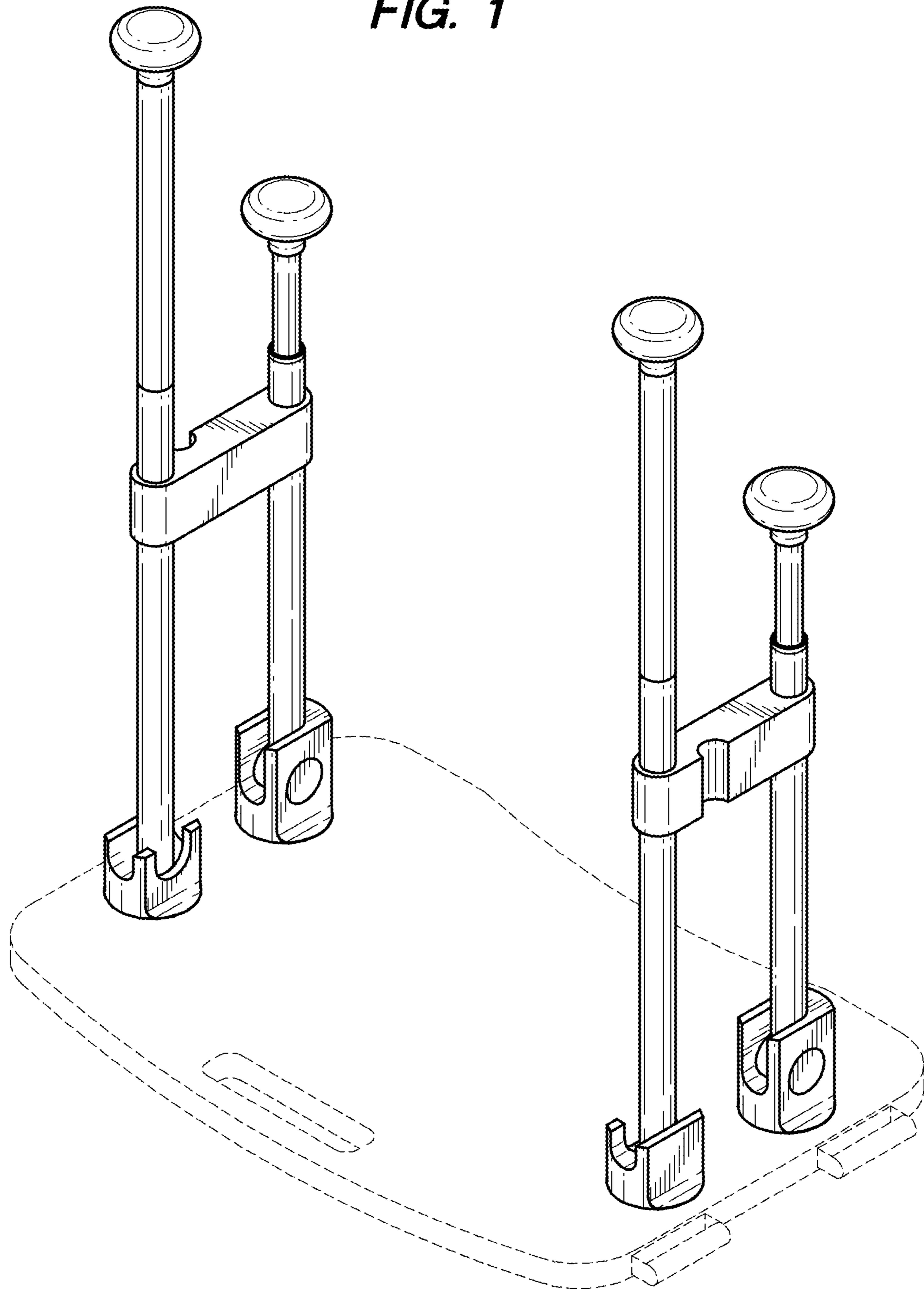


FIG. 2

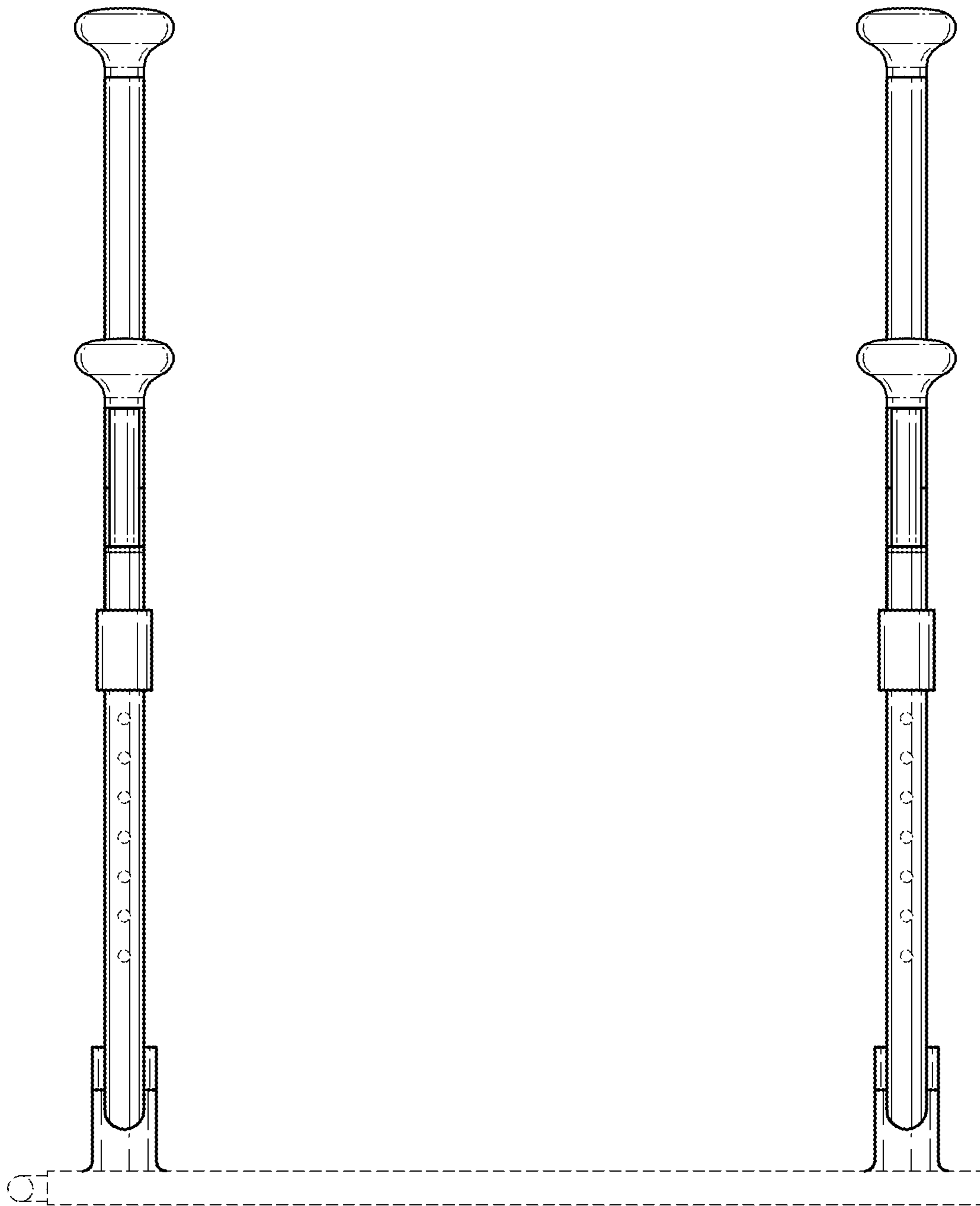


FIG. 3

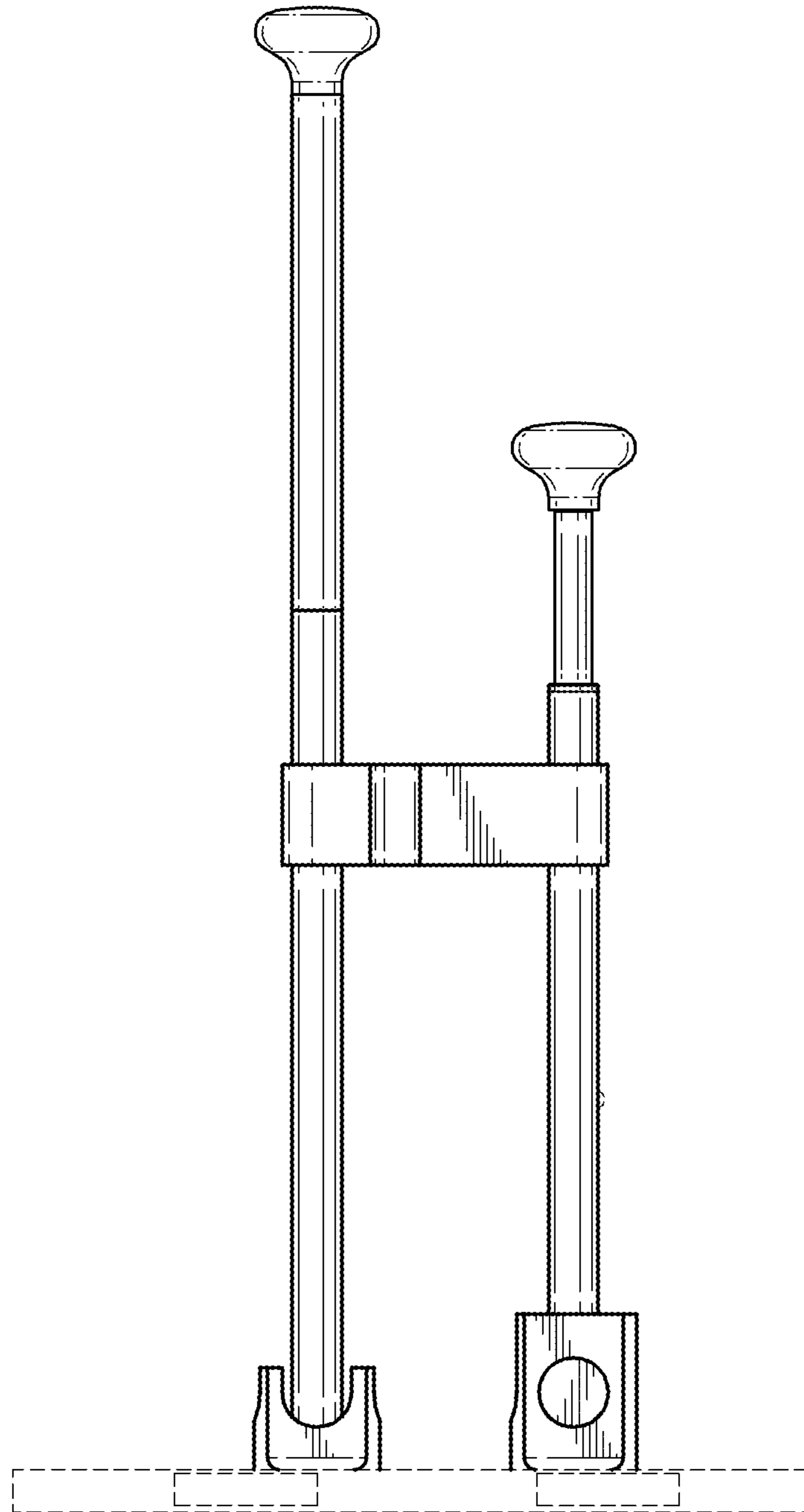


FIG. 4

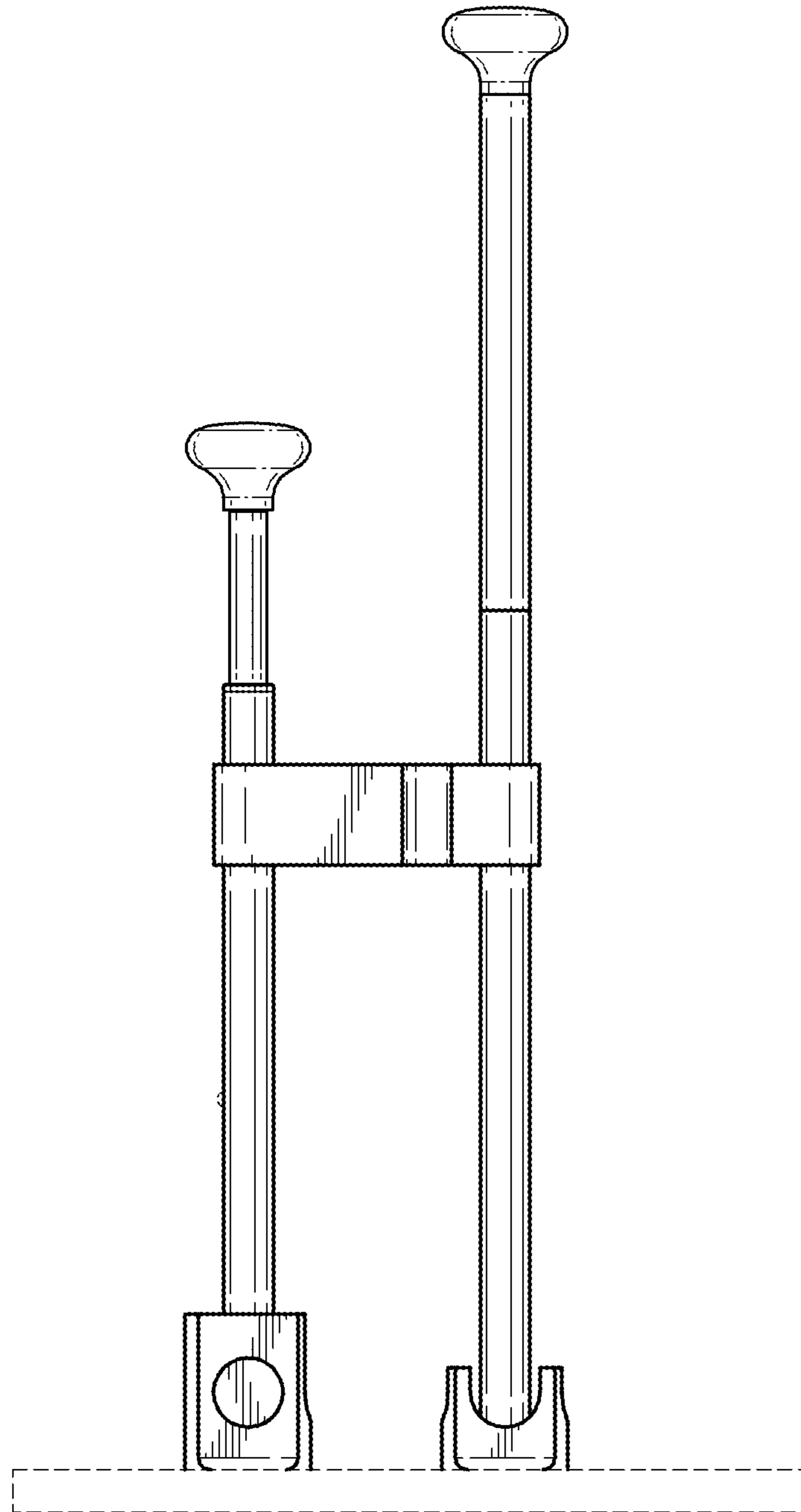


FIG. 5

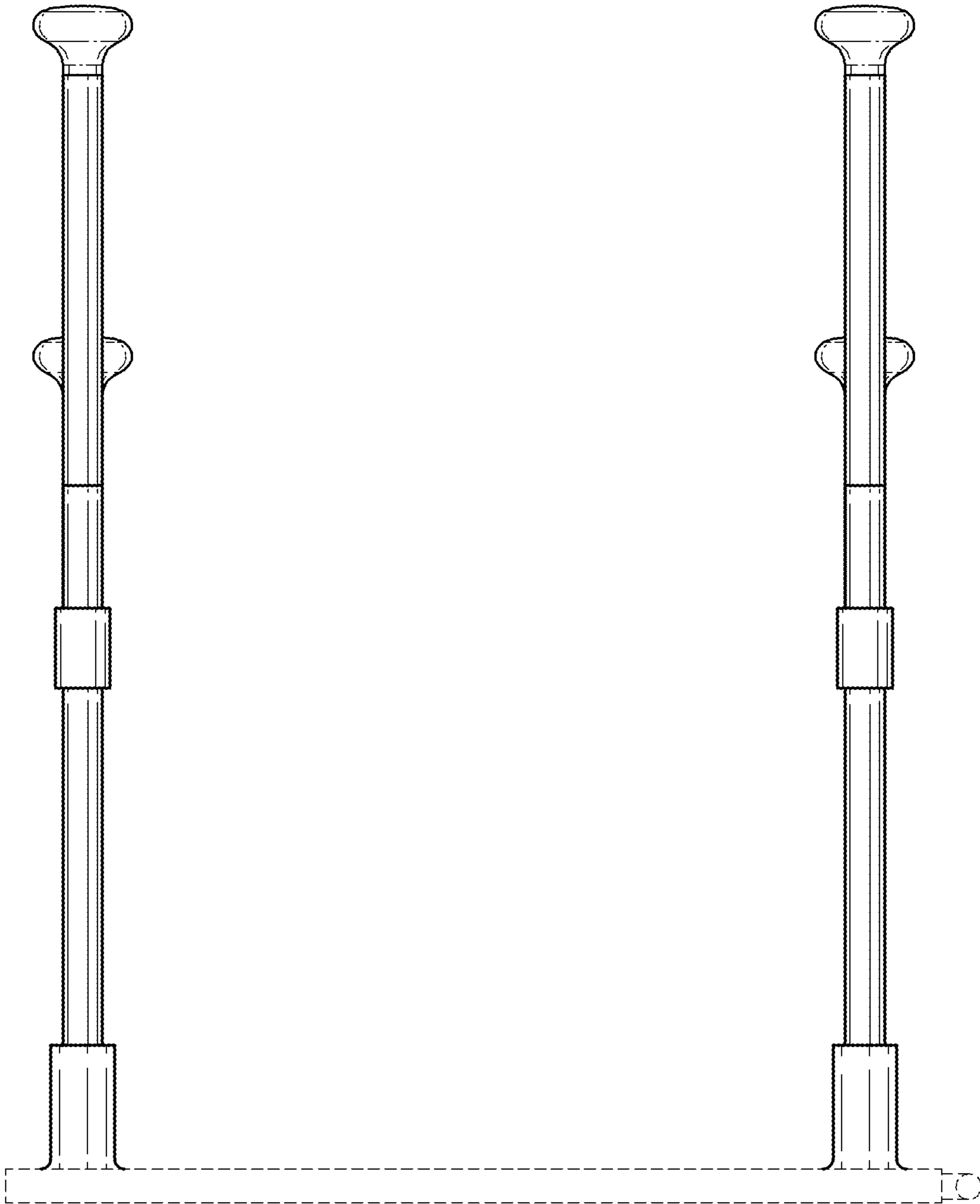


FIG. 6

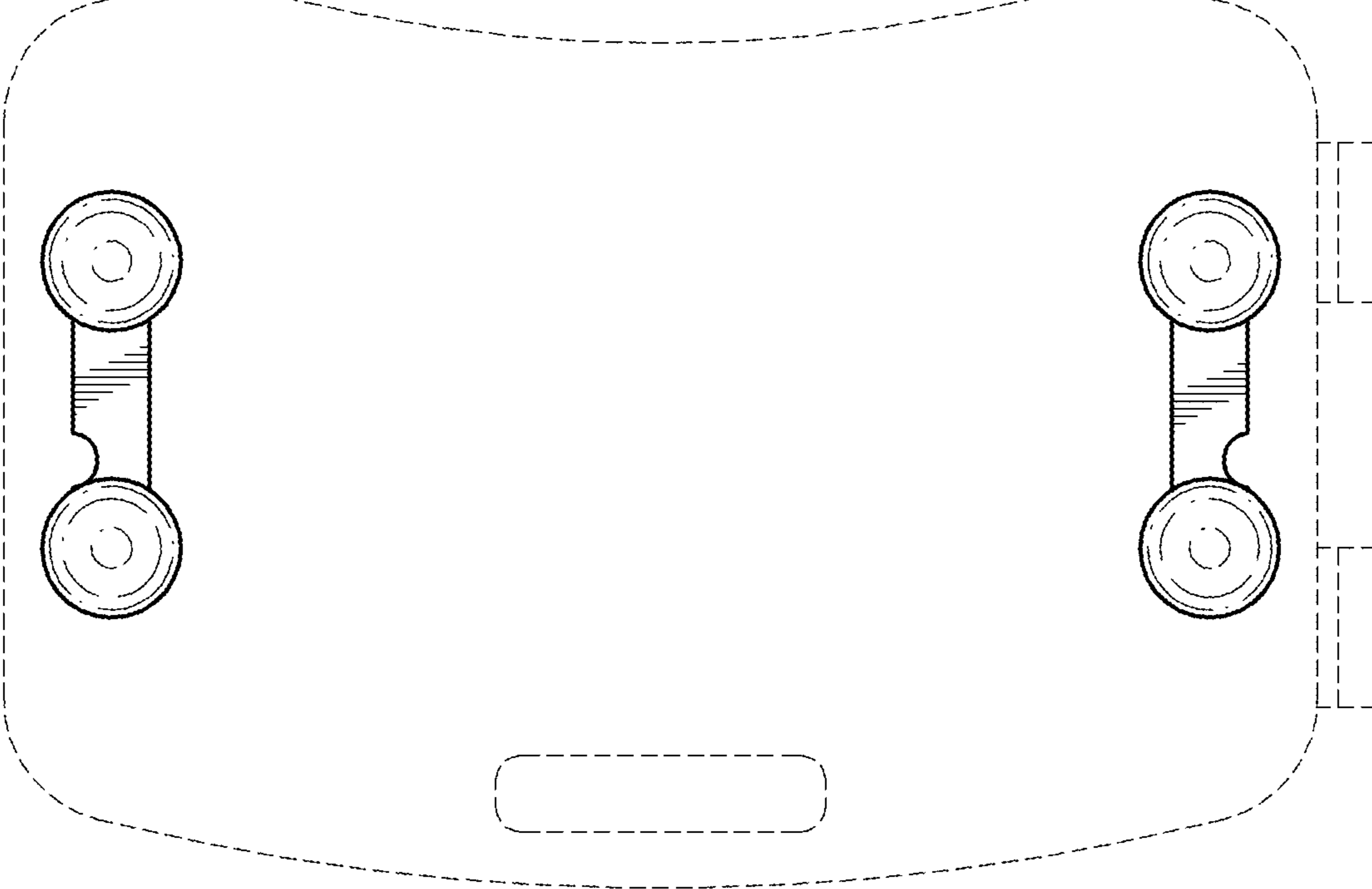


FIG. 7

