



US00D894793S

(12) **United States Design Patent** (10) **Patent No.:** **US D894,793 S**
Tavares Miranda (45) **Date of Patent:** **** Sep. 1, 2020**

(54) **CHAIN RING FOR BICYCLE OR MOTORCYCLE**
(71) Applicant: **MIRANDA & IRMAO, LDA**, Agueda (PT)
(72) Inventor: **Joao Filipe Tavares Miranda**, Agueda (PT)
(73) Assignee: **MIRANDA & IRMAO, LDA.**, Agueda (PT)
(**) Term: **15 Years**
(21) Appl. No.: **29/648,531**
(22) Filed: **May 22, 2018**
(30) **Foreign Application Priority Data**

Nov. 23, 2017 (WO) DM/098672
(51) **LOC (12) Cl.** **12-11**
(52) **U.S. Cl.**
USPC **D12/123**
(58) **Field of Classification Search**
USPC D12/111, 122-127; D15/143, 148, 149
CPC F16H 7/06; F16H 55/30; F16H 55/303;
B62M 9/105
See application file for complete search history.

(56) **References Cited**
U.S. PATENT DOCUMENTS
D246,097 S * 10/1977 McGregor, Sr. D12/123
4,332,574 A * 6/1982 Aoyama F16H 55/30
474/161
D299,448 S * 1/1989 Haro D12/123
D306,842 S * 3/1990 Beiser D12/123
D362,210 S * 9/1995 Haney D12/123
D368,055 S * 3/1996 Jouret D12/123
D396,436 S * 7/1998 Liska D12/123
D397,966 S * 9/1998 Chang D12/123
D399,222 S * 10/1998 Chang D15/148

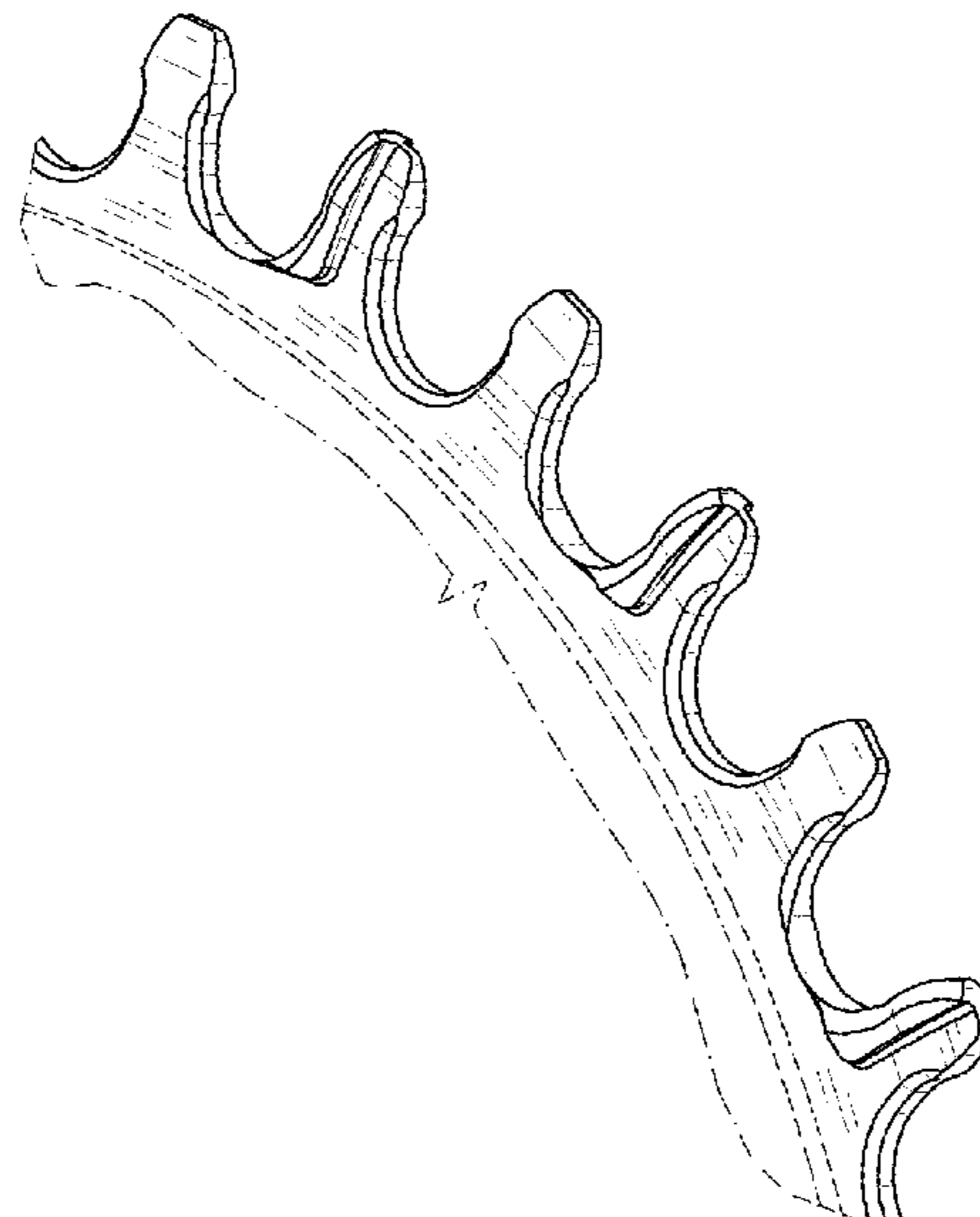
5,947,852 A * 9/1999 Moretz F16H 55/12
474/160
D430,510 S * 9/2000 Hanamura D12/123
D430,511 S * 9/2000 Takamori D12/123
D432,054 S * 10/2000 Hanamura D12/123
D434,351 S * 11/2000 Takamori D12/123
D435,001 S * 12/2000 Takamori D12/123
D436,561 S * 1/2001 Louden D12/123
6,213,238 B1 * 4/2001 Buell B62M 7/00
180/219

(Continued)
Primary Examiner — Darlington Ly
(74) *Attorney, Agent, or Firm* — Lucas & Mercanti, LLP

(57) **CLAIM**
The ornamental design for a chain ring for bicycle or motorcycle, as shown and described.

DESCRIPTION
FIG. 1 is a left side perspective view of a portion of a first embodiment of a chain ring for bicycle or motorcycle;
FIG. 2 is a right side perspective view thereof;
FIG. 3 is a left side elevation view thereof;
FIG. 4 is a right side elevation view thereof;
FIG. 5 is a top plan view thereof, wherein the bottom plan view is a mirror image thereof;
FIG. 6 is an enlarged top plan view encompassed by the broken line circle in FIG. 5 thereof;
FIG. 7 is a close up right side view of a tooth of the chain ring, wherein the left side view is a mirror image thereof;
FIG. 8 is a close up right side view of another tooth of the chain ring, wherein the left side view is a mirror image thereof;
FIG. 9 is a rear elevation view of a portion of the chain ring thereof; and,
FIG. 10 is a front elevation view thereof.
The broken lines in the drawings illustrate portions of the chain ring for bicycle or motorcycle that form no part of the claimed design.

1 Claim, 5 Drawing Sheets



(56)

References Cited

U.S. PATENT DOCUMENTS

D472,843	S	*	4/2003	Marquez-Pickering	D11/81
D478,849	S	*	8/2003	Griffin	D12/123
D510,365	S	*	10/2005	Yoshida	D15/28
D518,074	S	*	3/2006	Yoshida	D15/28
D592,107	S	*	5/2009	Clarke	D12/123
D604,346	S	*	11/2009	Chiang	D12/123
D718,658	S	*	12/2014	Cadarette	D12/7
D728,432	S	*	5/2015	Lin	B62M 9/00 D12/123
D750,998	S	*	3/2016	Wang	D12/123
D756,270	S	*	5/2016	Sgreva	D12/123
D765,551	S	*	9/2016	Baker, Jr.	D12/123
D774,987	S	*	12/2016	Miles	D12/123
D802,488	S	*	11/2017	Scott	D12/127
D803,104	S	*	11/2017	Braedt	D12/123
D806,614	S	*	1/2018	Turner	D12/123
D811,948	S	*	3/2018	Turner	D12/123
D817,371	S	*	5/2018	Karol	D15/148
D817,372	S	*	5/2018	Karol	D15/148
2006/0264286	A1	*	11/2006	Hodjat	F16H 55/171 474/152
2013/0143704	A1	*	6/2013	Blank	B62M 9/10 474/161
2016/0215866	A1	*	7/2016	Stefan	B62M 9/00

* cited by examiner

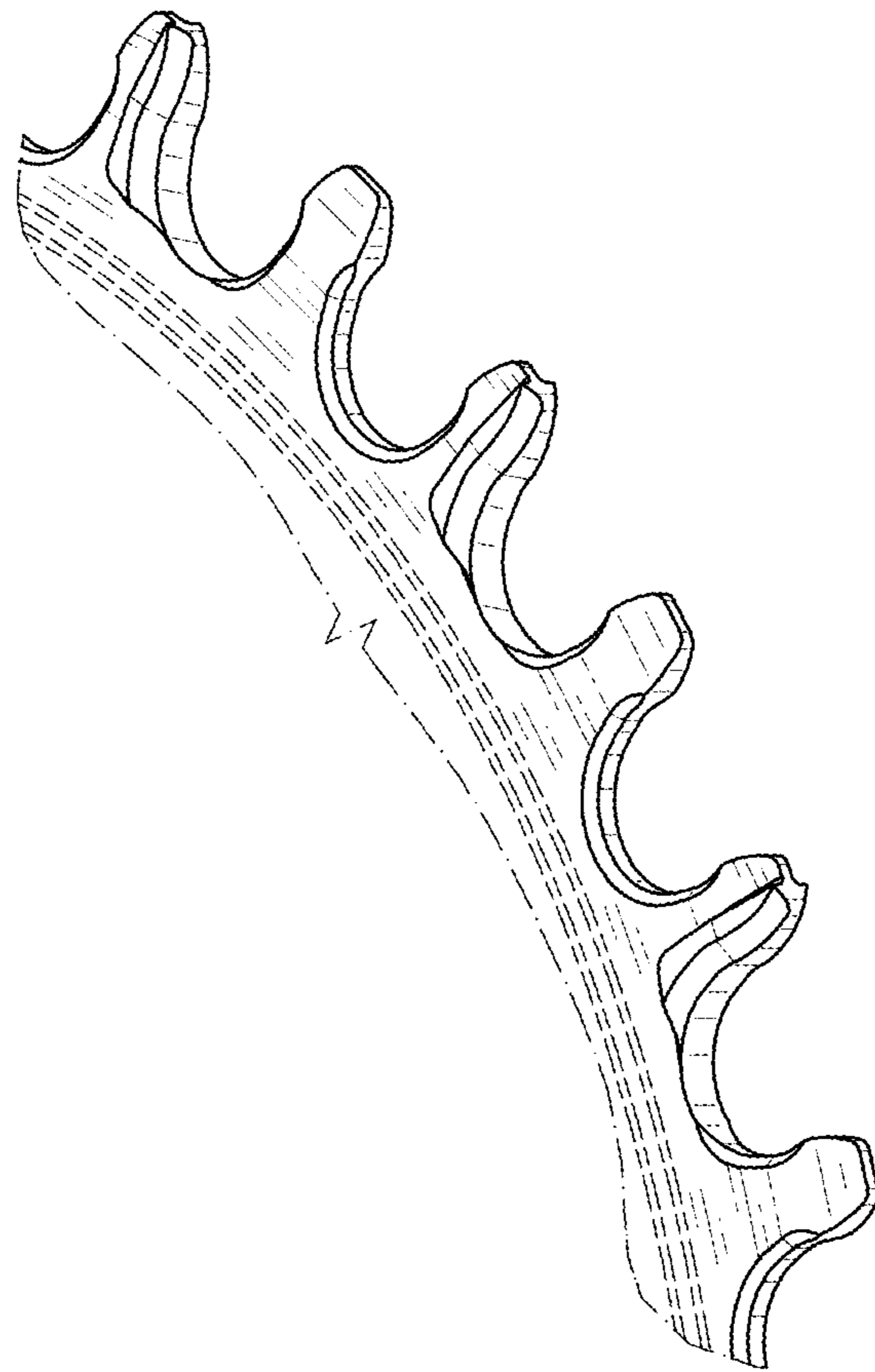


FIG. 1

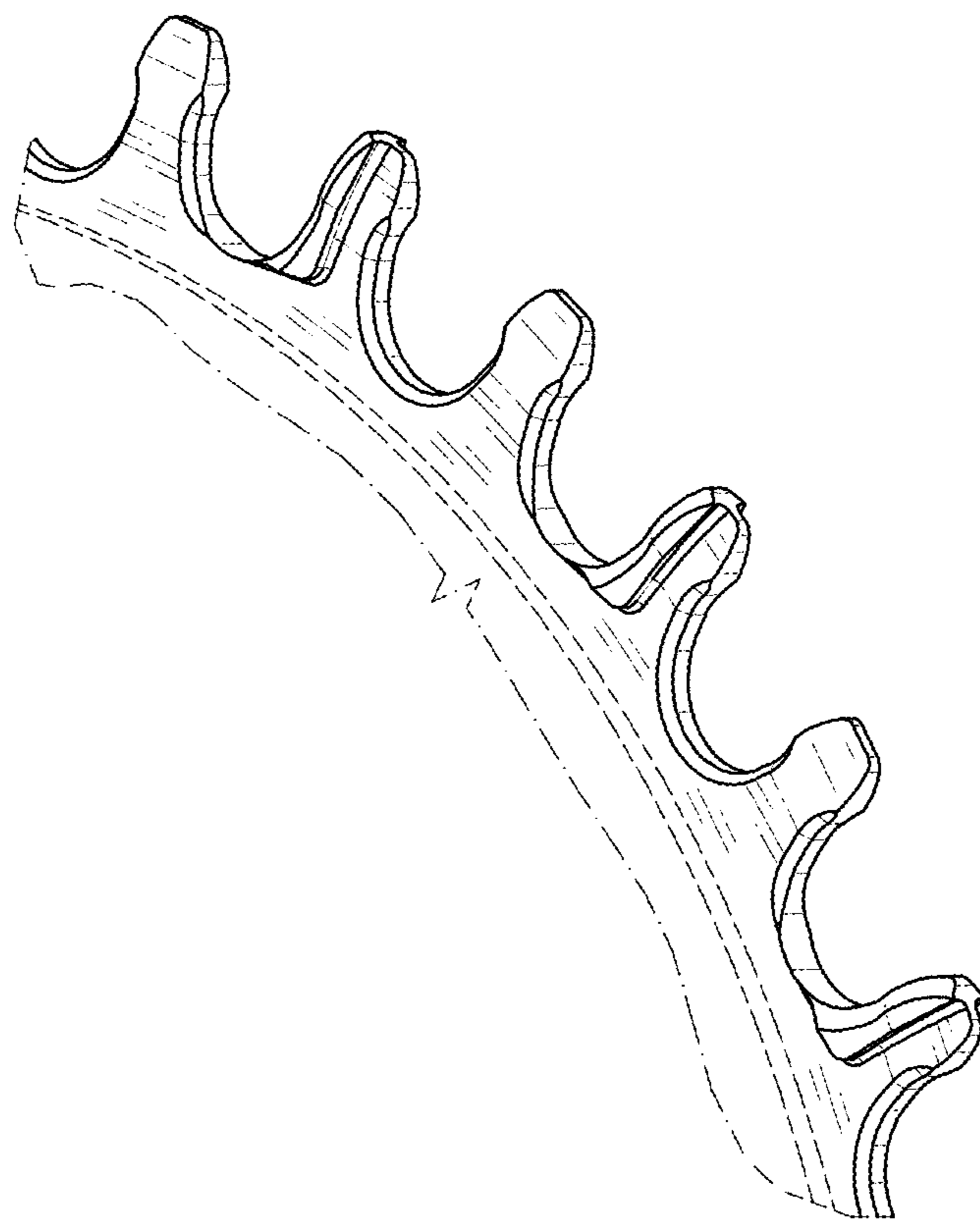


FIG. 2

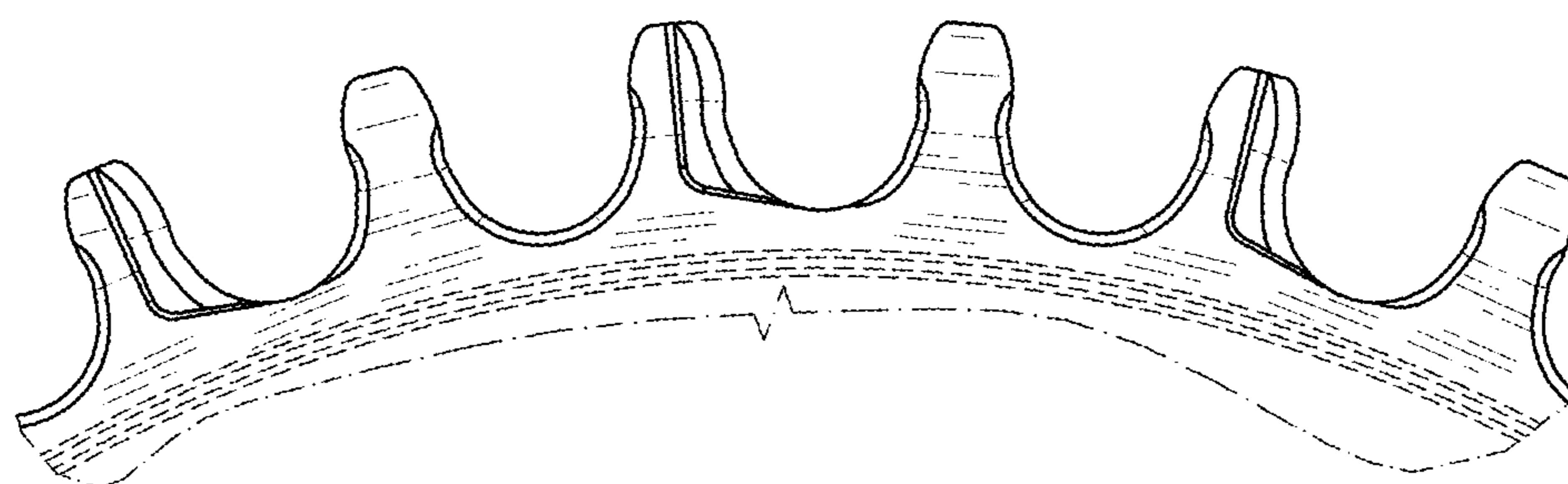


FIG. 3

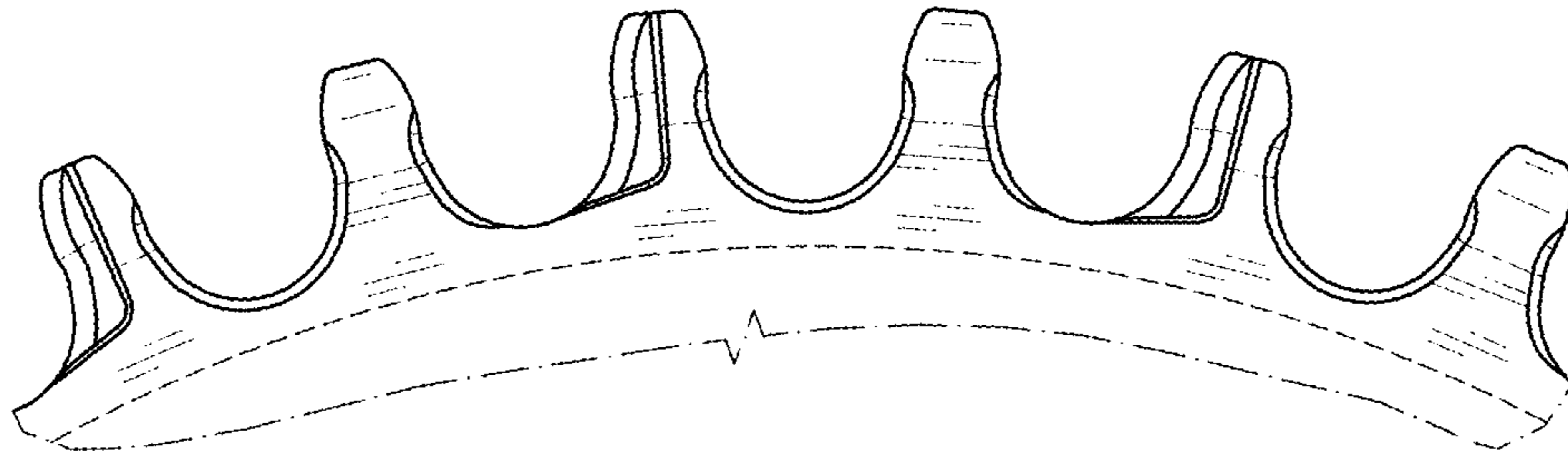


FIG. 4

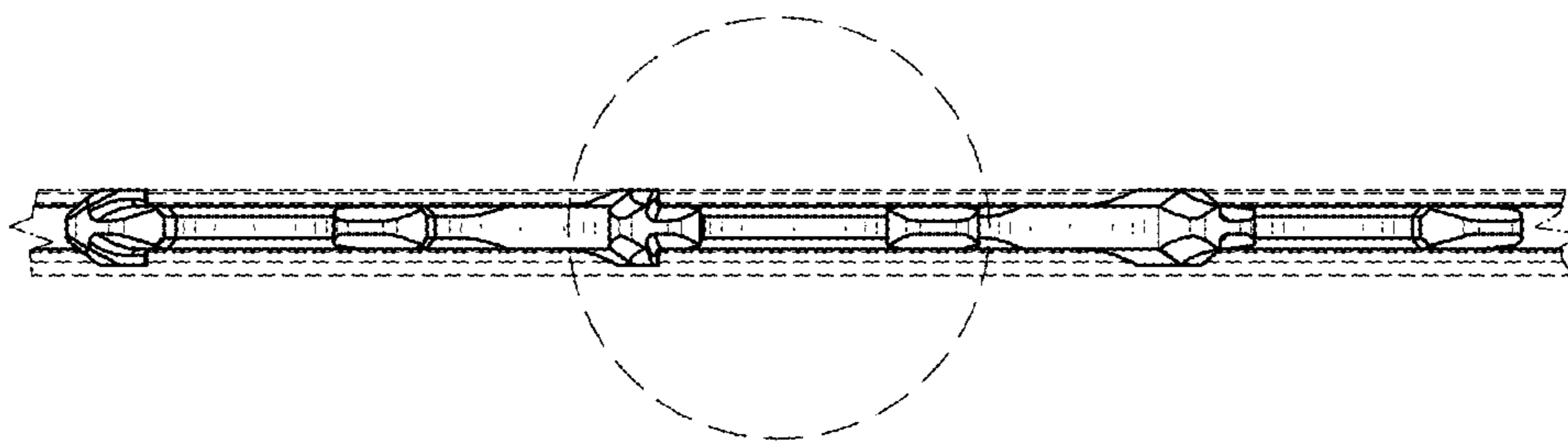


FIG. 5

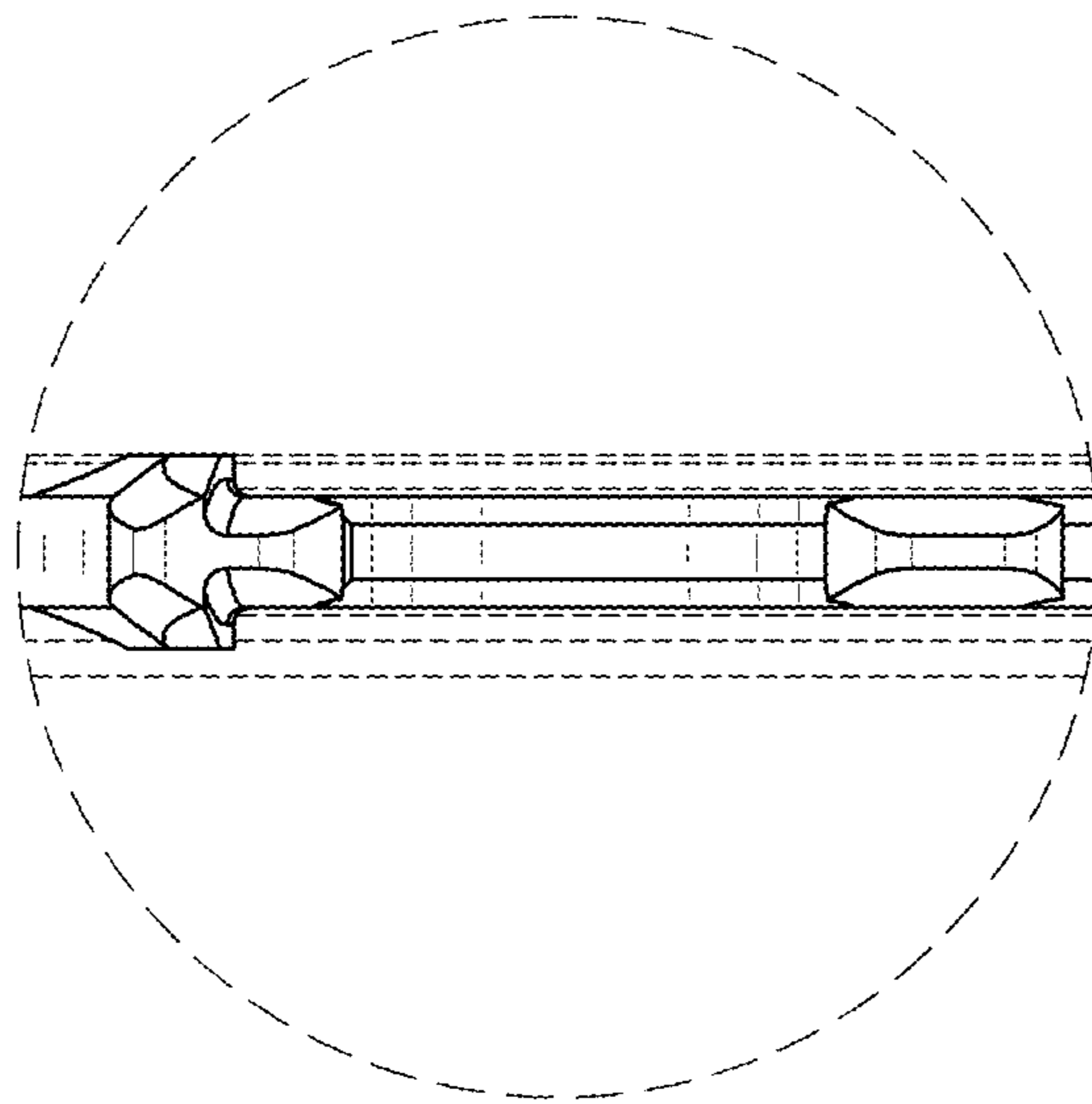


FIG. 6

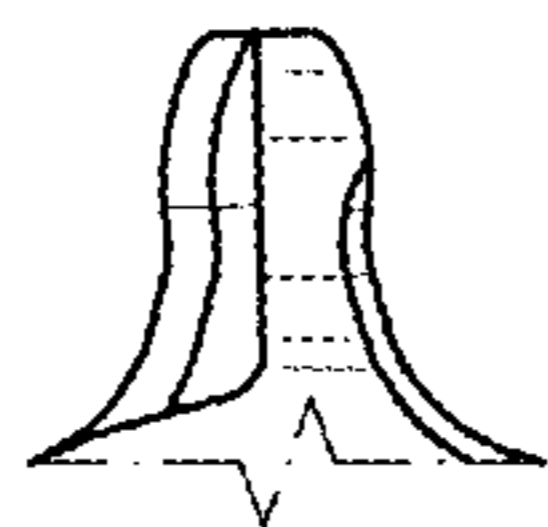


FIG. 7

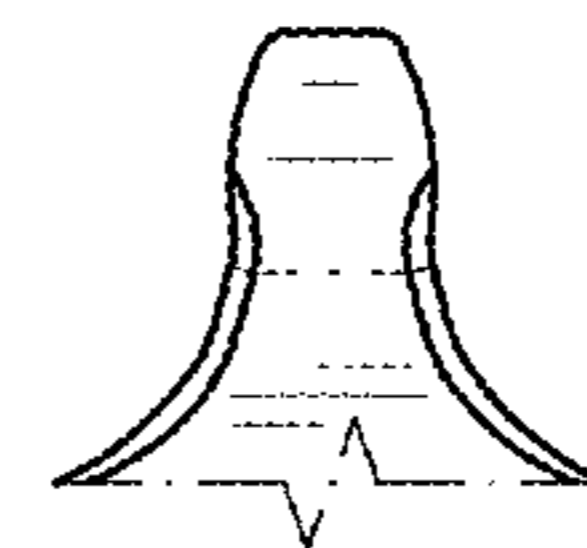


FIG. 8

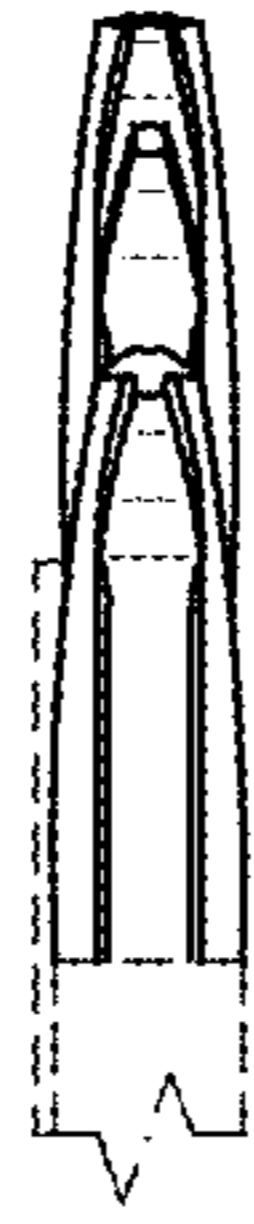


FIG. 9

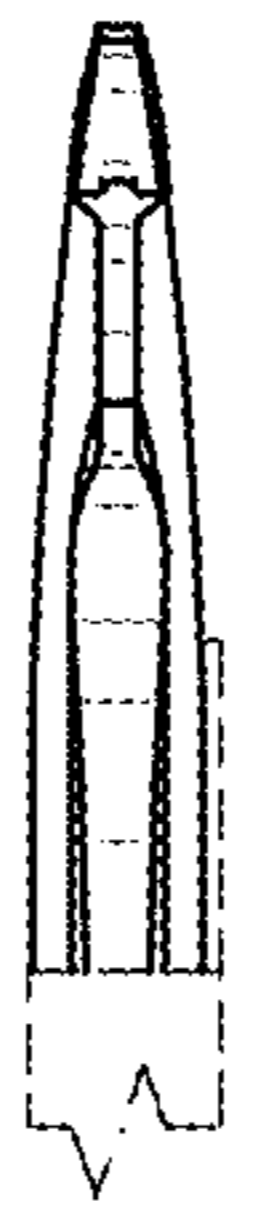


FIG. 10