



US00D894792S

(12) **United States Design Patent** (10) **Patent No.:** **US D894,792 S**
Micacchi (45) **Date of Patent:** **** Sep. 1, 2020**

(54) **BICYCLE FRAME**
(71) Applicant: **Nicola Micacchi**, Rieti (IT)
(72) Inventor: **Nicola Micacchi**, Rieti (IT)
(73) Assignee: **MOHAWKNEE S.R.L.**, Rieti (IT)
(**) Term: **15 Years**

D797,610 S * 9/2017 Jankura D12/111
D807,232 S * 1/2018 Bailie D12/111
D811,946 S * 3/2018 Williams D12/111
D828,231 S * 9/2018 Yan D12/111
D833,333 S * 11/2018 Yu D12/111
D845,178 S * 4/2019 Yan D12/111
D847,033 S * 4/2019 Yan D12/111
D858,359 S * 9/2019 Lentz D12/111
2013/0221633 A1 * 8/2013 Jankura B62K 19/30
280/274

(21) Appl. No.: **29/653,302**
(22) Filed: **Jun. 14, 2018**

* cited by examiner

Primary Examiner — Darlington Ly
(74) *Attorney, Agent, or Firm* — Lucas & Mercanti, LLP

(30) **Foreign Application Priority Data**

Dec. 15, 2017 (IT) 402017000145057

(51) **LOC (12) Cl.** **12-11**
(52) **U.S. Cl.**
USPC **D12/111**

(57) **CLAIM**

The ornamental design for a bicycle frame, as shown and described.

(58) **Field of Classification Search**
USPC D12/111, 117; D21/412, 414, 419,
D21/423-428, 431-435
CPC B62K 3/00; B62K 3/02; B62K 3/06
See application file for complete search history.

DESCRIPTION

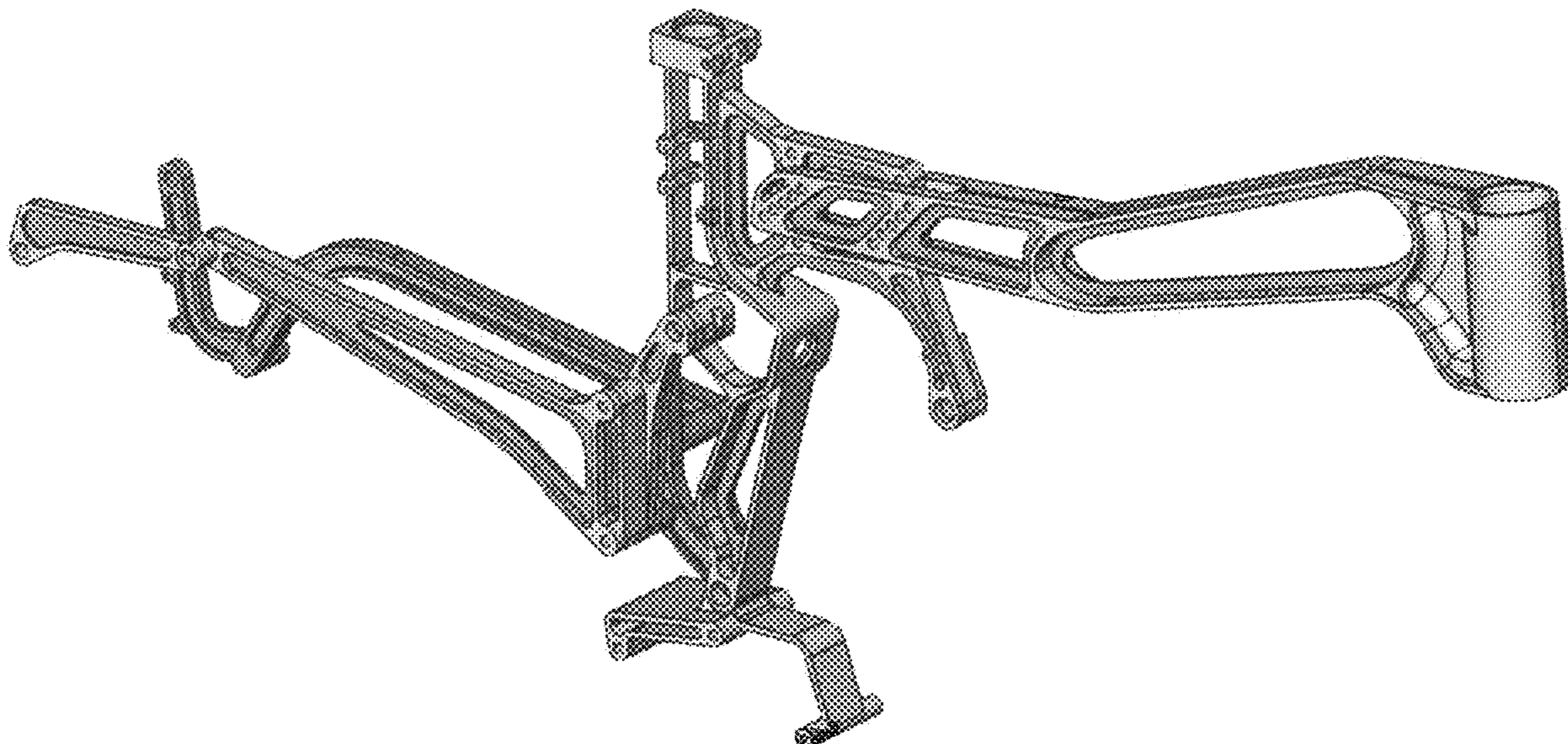
(56) **References Cited**

U.S. PATENT DOCUMENTS

D491,111 S * 6/2004 Mizuta D12/111
7,377,535 B2 * 5/2008 Chamberlain B62K 19/34
280/249
D670,208 S * 11/2012 Frenzel D12/111
D672,690 S * 12/2012 Augustin D12/111
D694,156 S * 11/2013 Taipalus D12/111
D719,488 S * 12/2014 Stafford D12/111
8,931,793 B2 * 1/2015 Klieber B62J 11/19
280/283
D727,215 S * 4/2015 Yang D12/111
D741,221 S * 10/2015 Haller D12/111
D783,460 S * 4/2017 Beale D12/111
9,616,966 B2 * 4/2017 Talavasek B62M 6/40

FIG. 1 is a right side elevation view of a bicycle frame showing my new design;
FIG. 2 is a left side elevation view thereof;
FIG. 3 is a top plan view thereof;
FIG. 4 is an exploded perspective view of the main triangular portion thereof;
FIG. 5 is a front and right side perspective view thereof;
FIG. 6 is a rear and right side perspective view thereof;
FIG. 7 is a front and right side perspective view of the main horizontal tube portion thereof;
FIG. 8 is a rear and left side perspective view of the main horizontal tube portion thereof;
FIG. 9 is a rear and right side perspective view of the saddle column portion thereof;
FIG. 10 is a rear and right side perspective view of the rear fork portion thereof; and,
FIG. 11 is a rear and left side perspective view of the rear fork portion thereof.

1 Claim, 11 Drawing Sheets



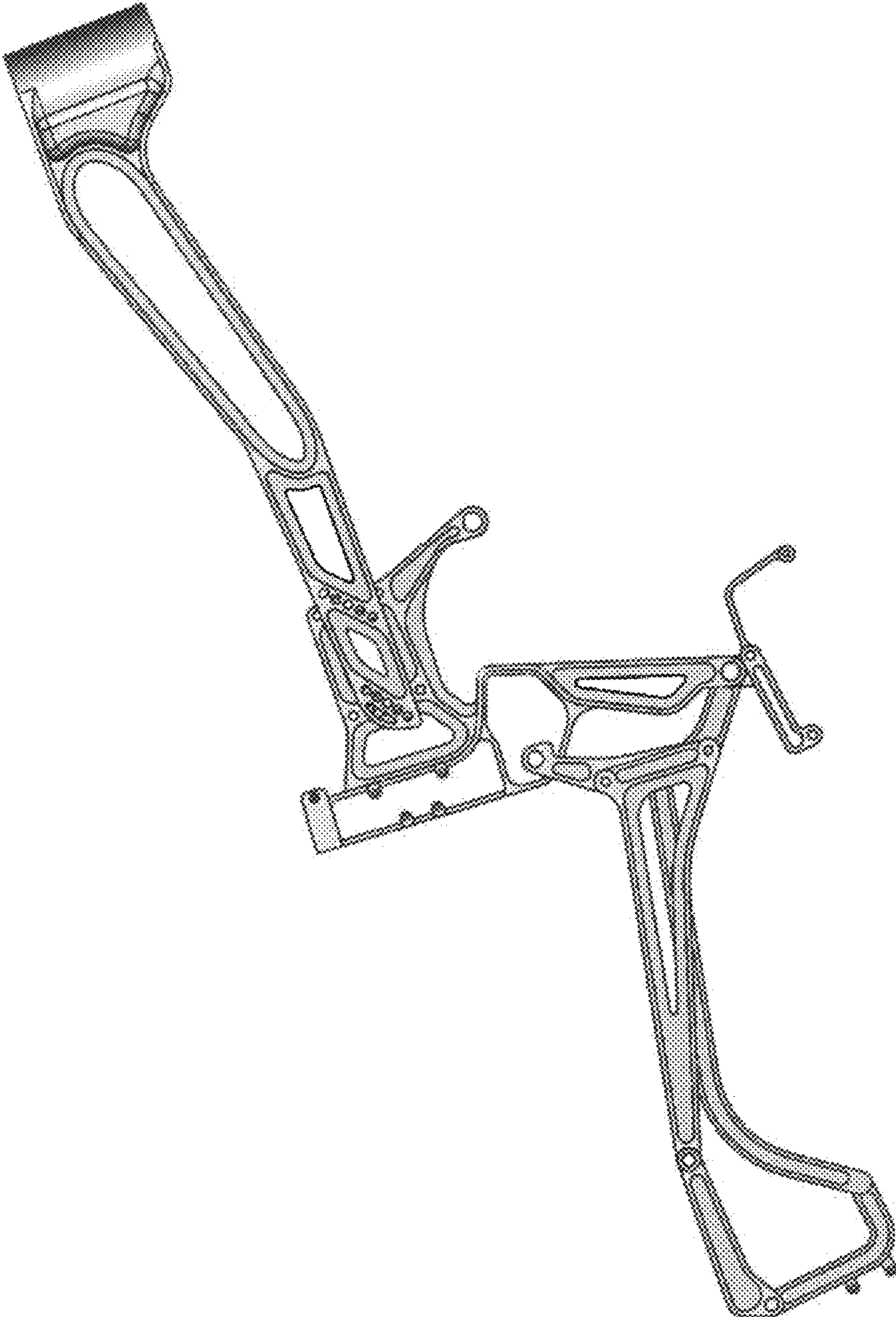


FIG.1

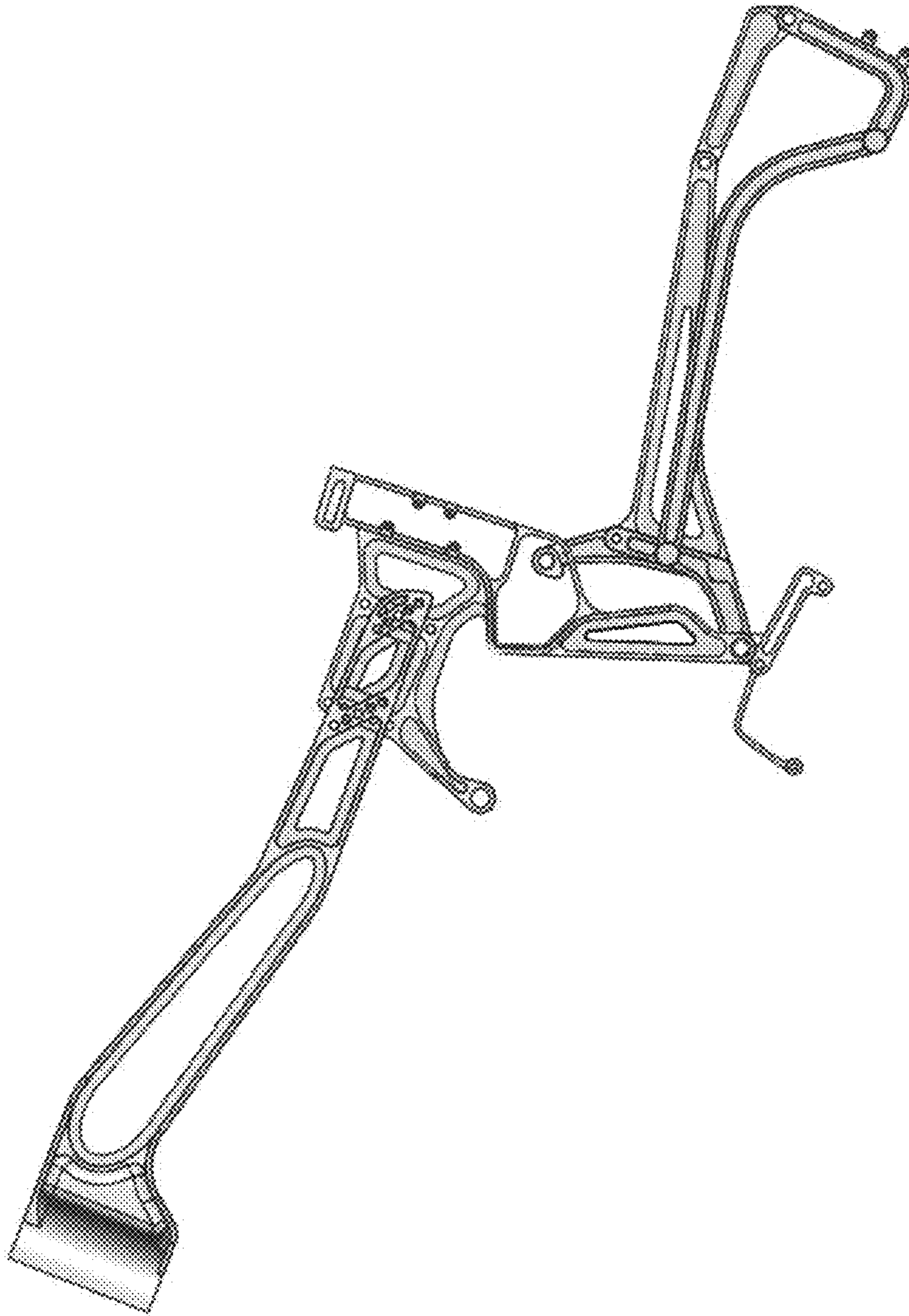


FIG.2

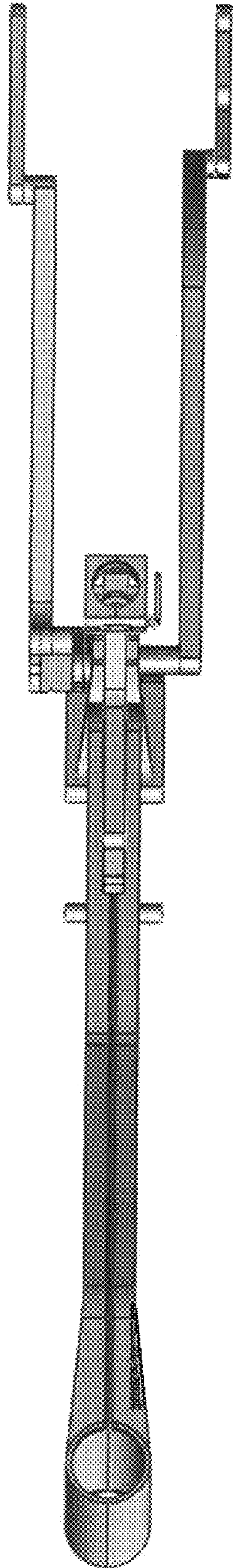


FIG.3

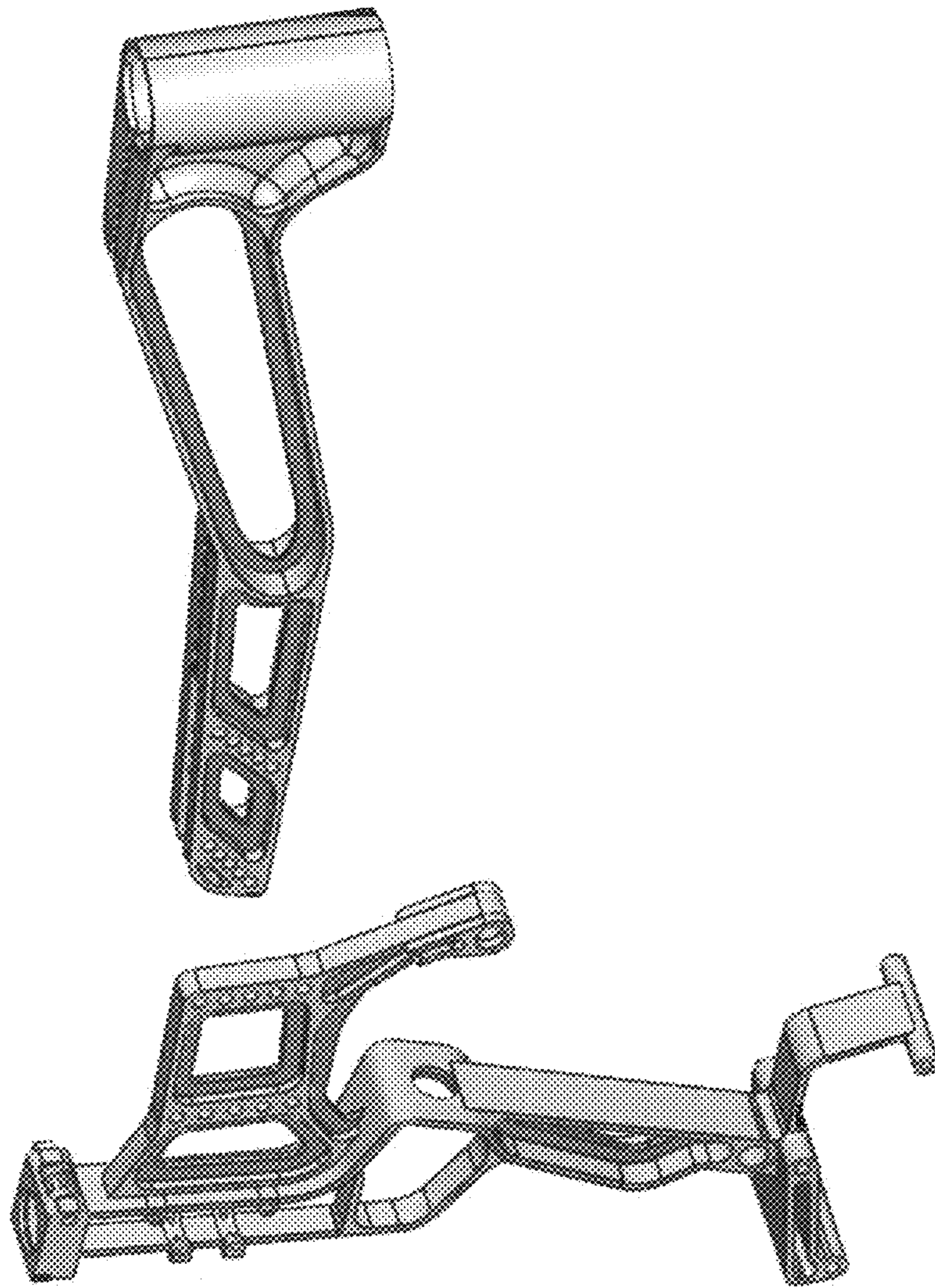


FIG.4

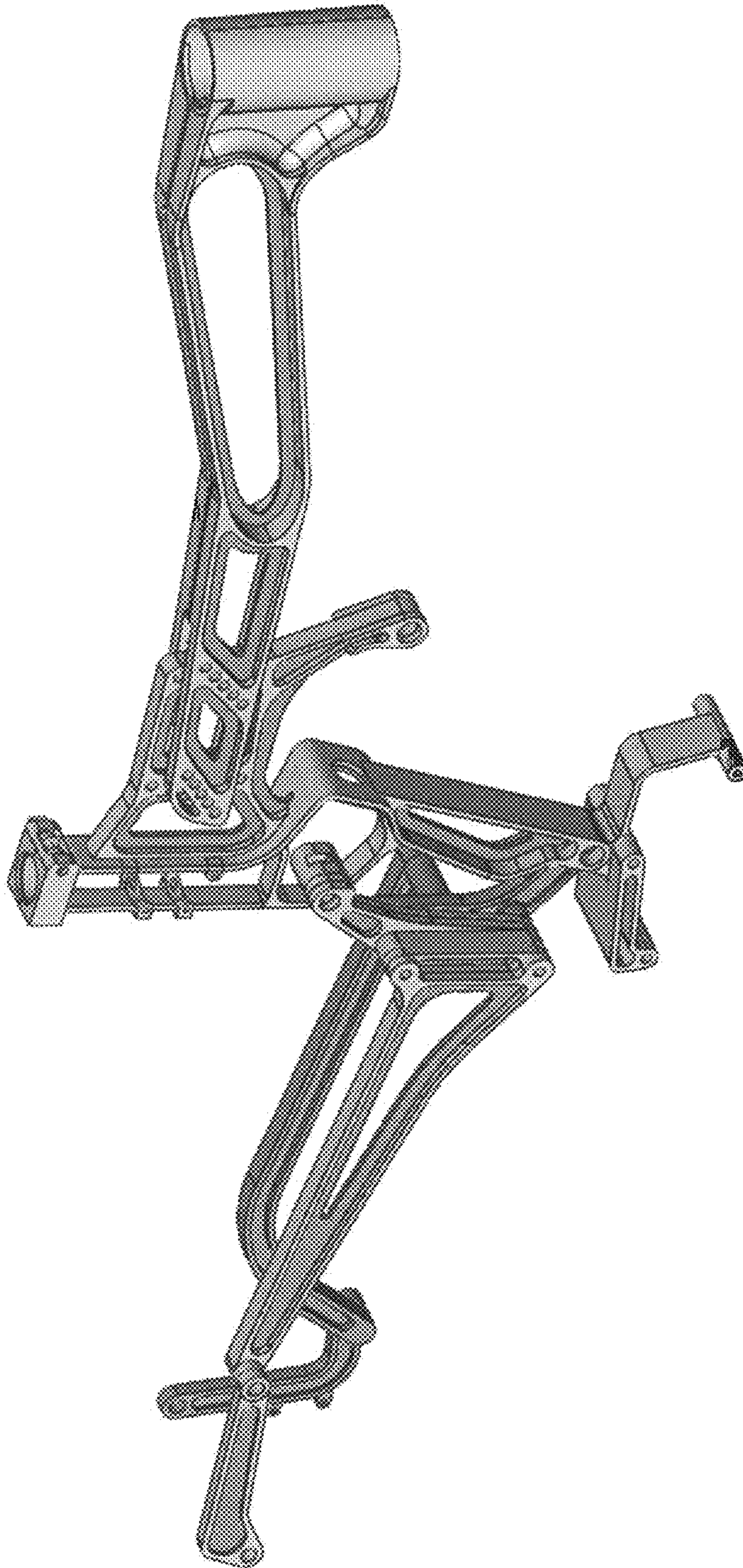


FIG.5

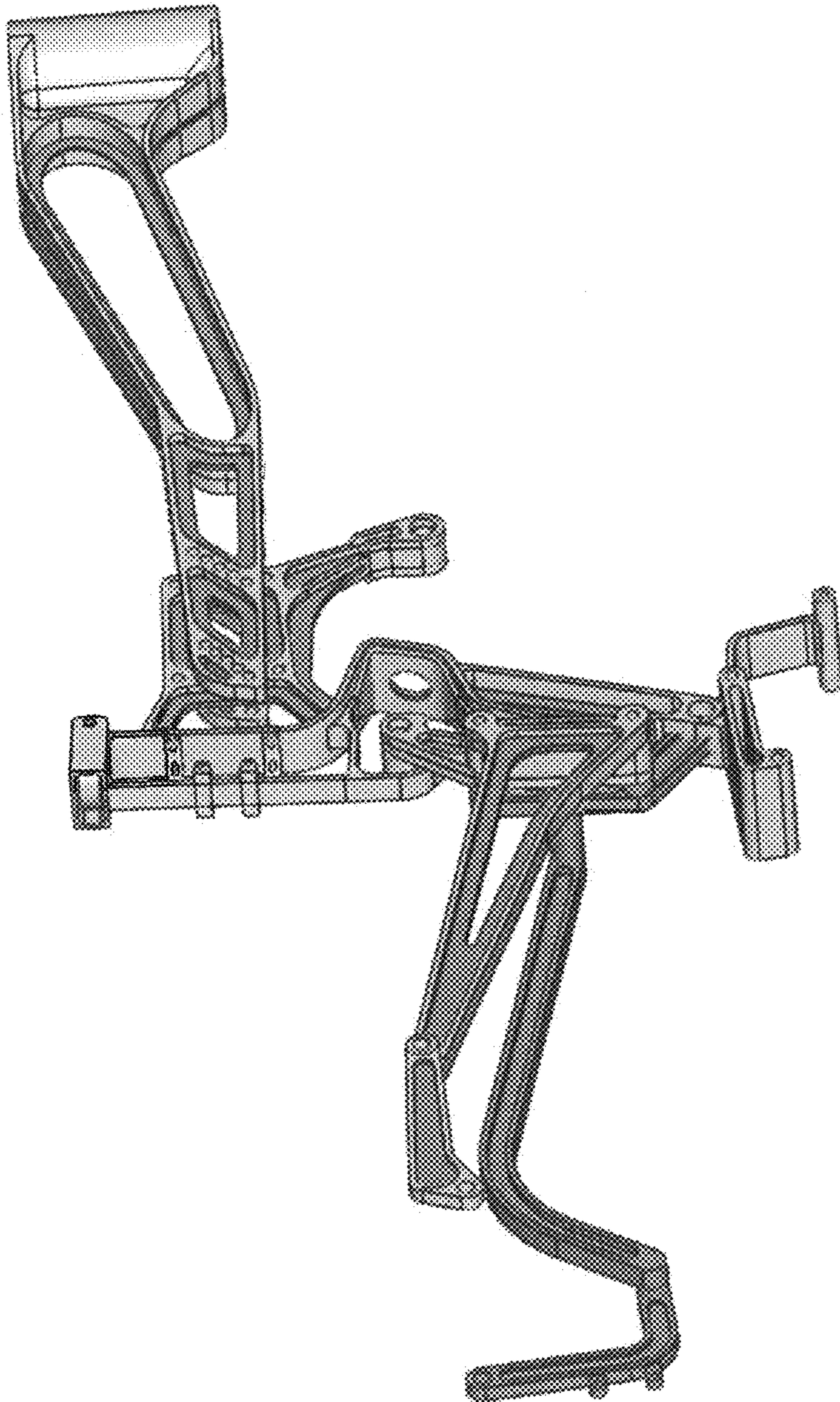


FIG.6

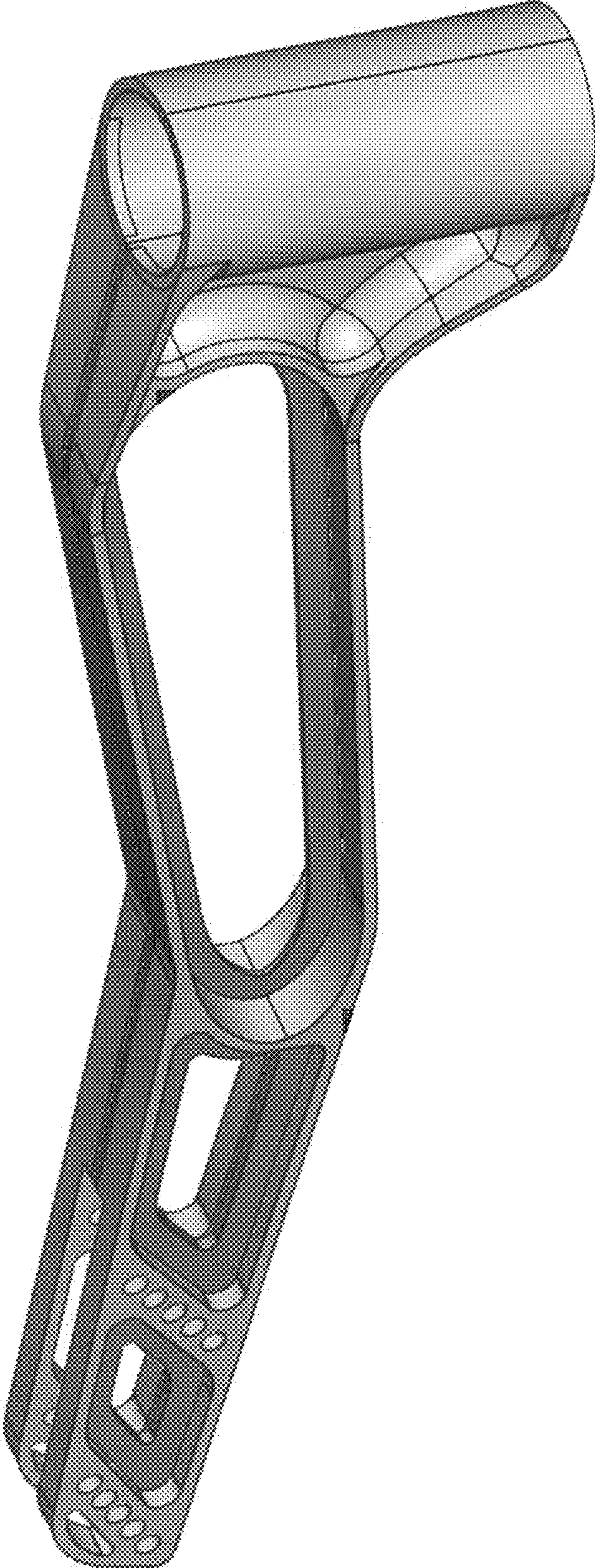


FIG.7

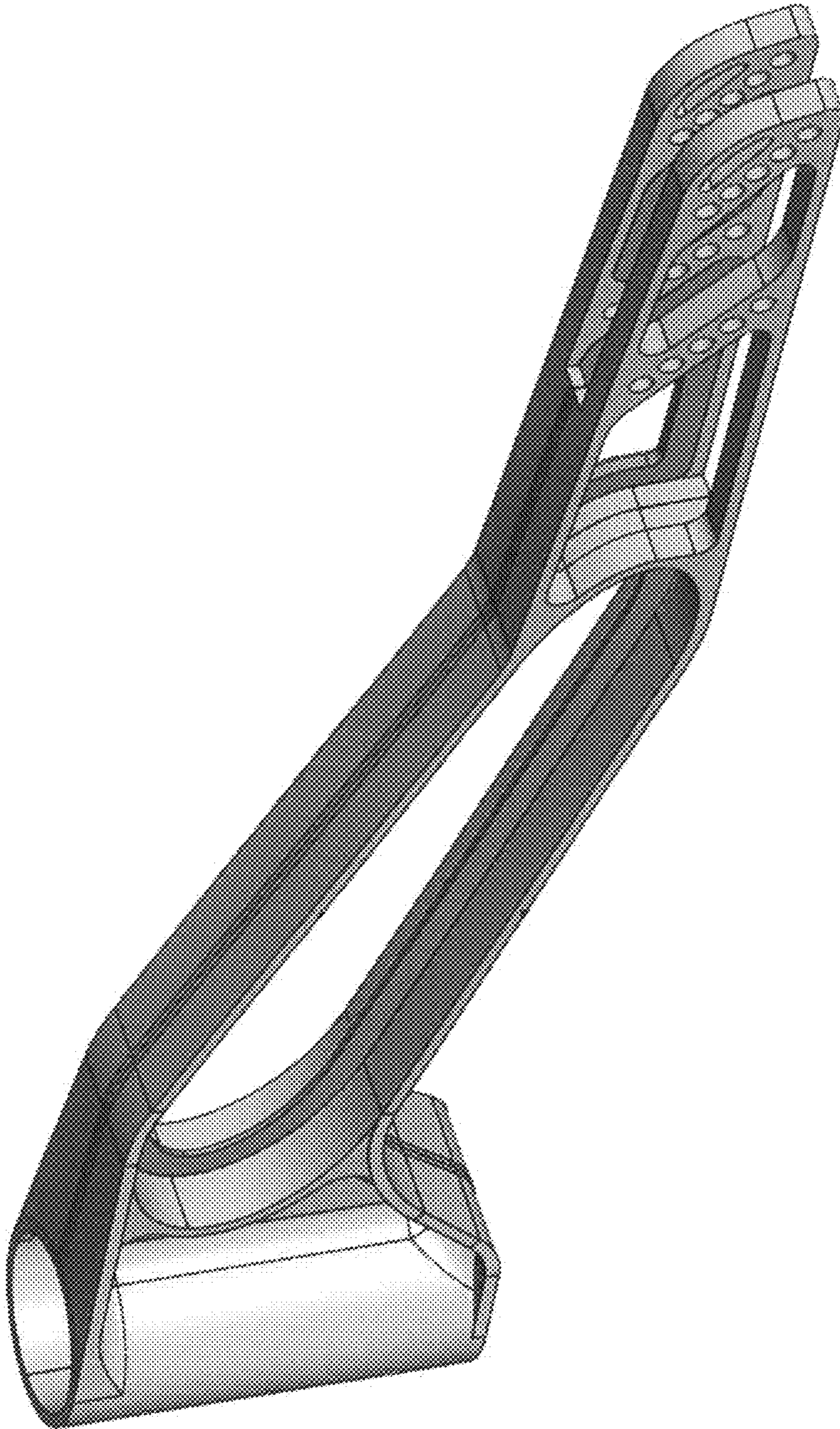


FIG.8

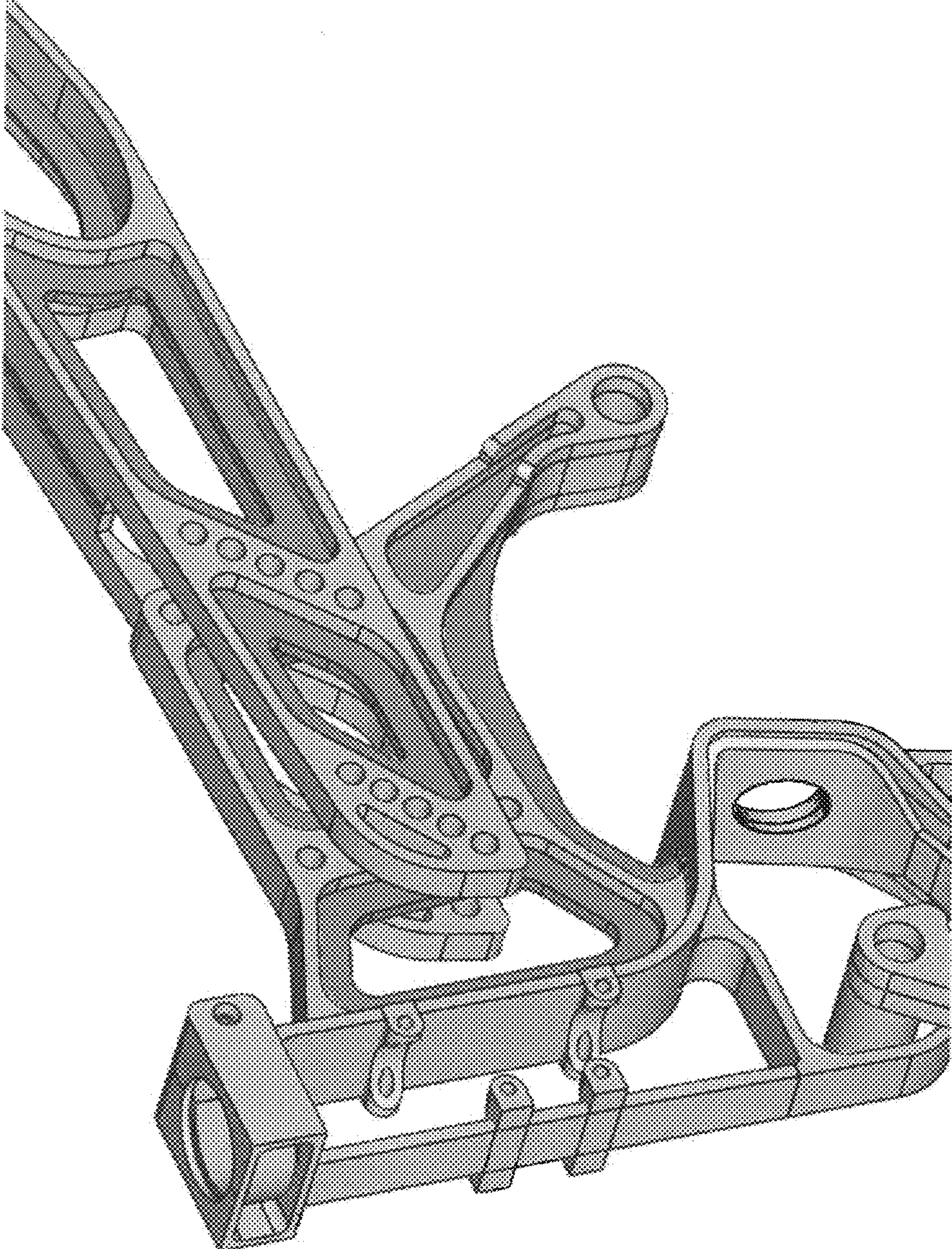


FIG.9

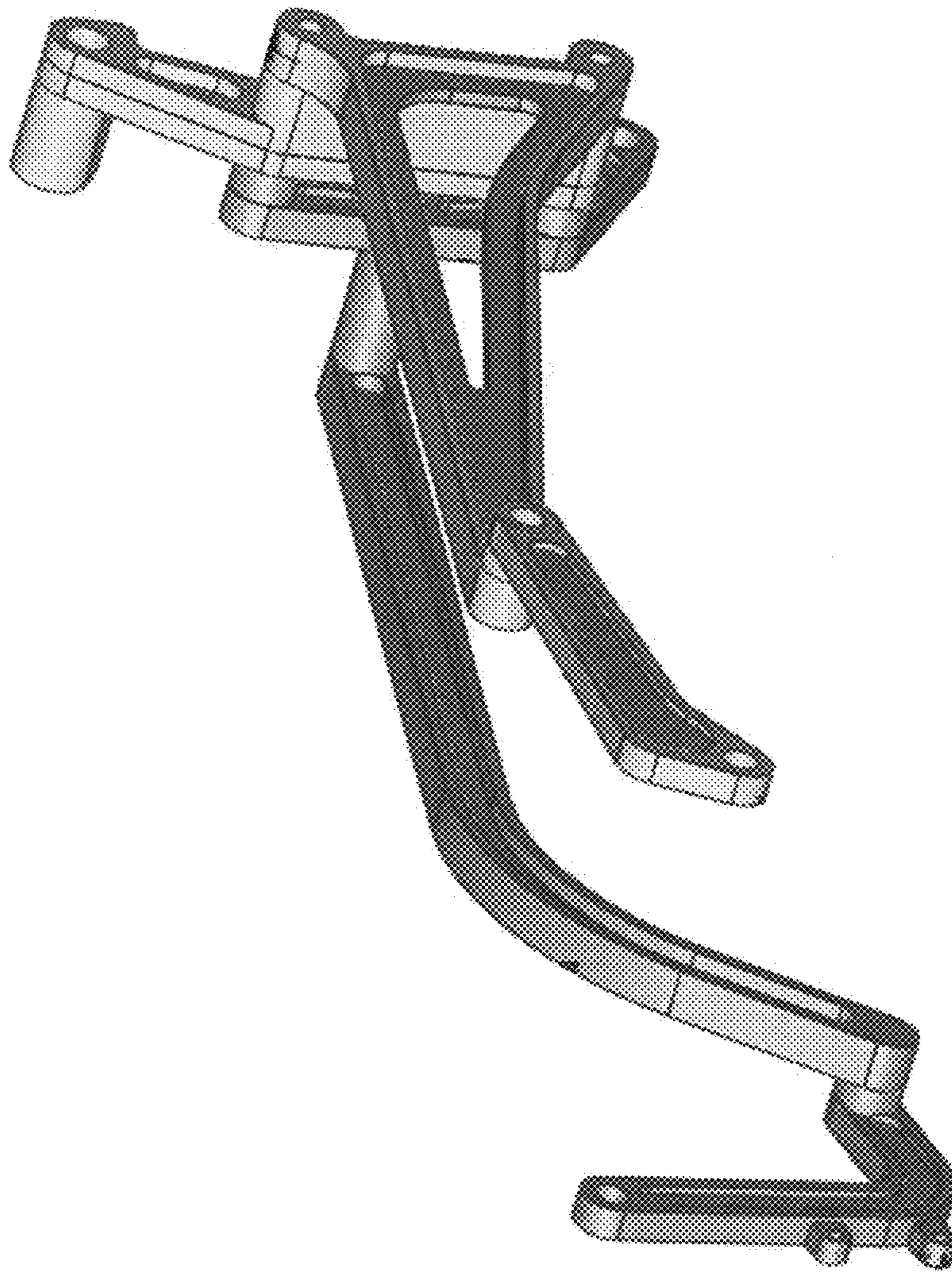


FIG.10

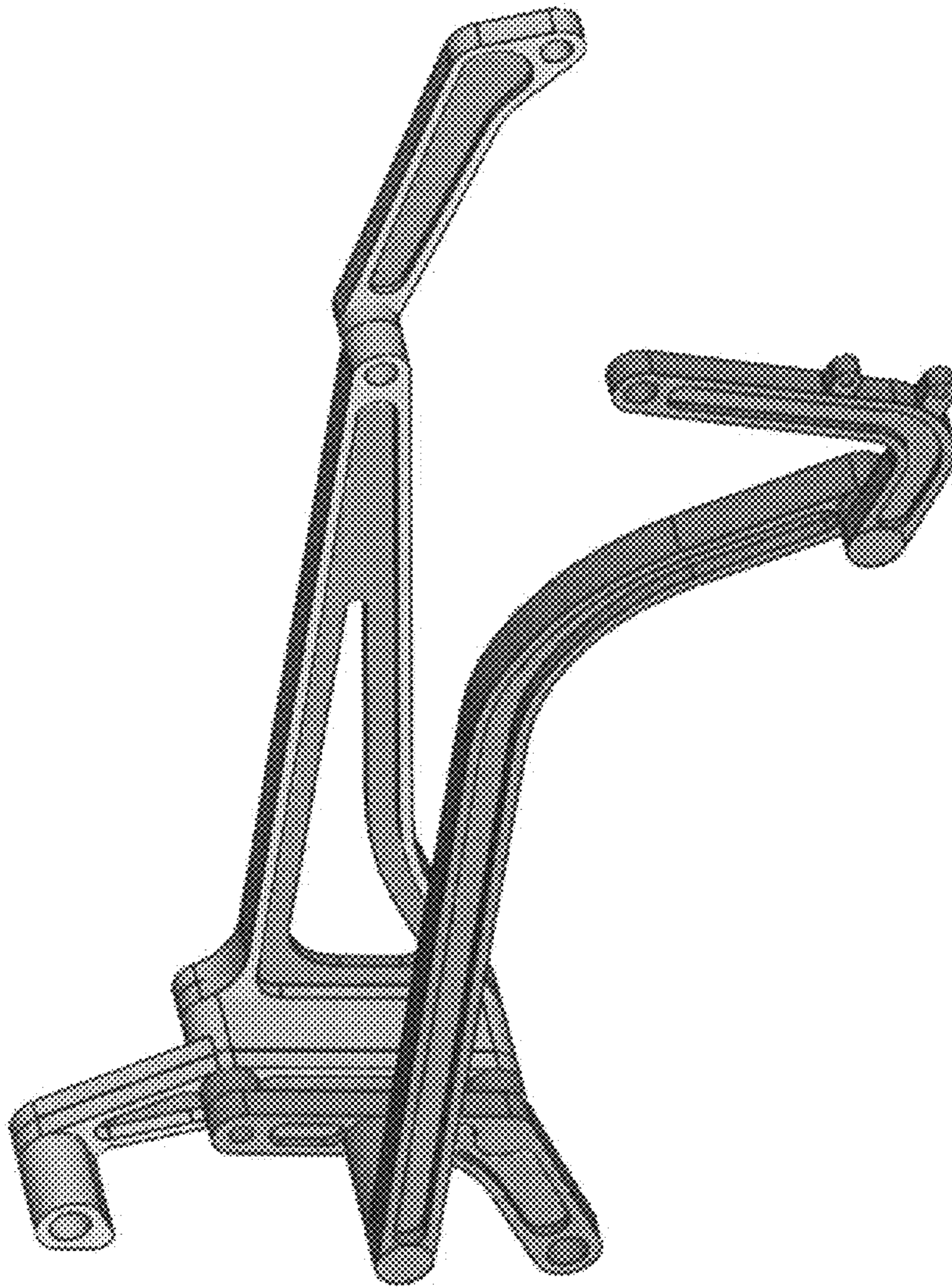


FIG.11