



US00D894791S

(12) **United States Design Patent** (10) **Patent No.:** **US D894,791 S**  
**Lin et al.** (45) **Date of Patent:** **\*\* Sep. 1, 2020**

(54) **GOKART**

FOREIGN PATENT DOCUMENTS

(71) Applicant: **NINEBOT (BEIJING) TECH. CO., LTD**, Beijing (CN)

AR 80185-0001 \* 12/2009  
CN 300849746 D 11/2008

(Continued)

(72) Inventors: **Ji Lin**, Beijing (CN); **Yongjie Li**, Beijing (CN)

*Primary Examiner* — George D. Kirschbaum

*Assistant Examiner* — Calvin E Vansant

(73) Assignee: **NINEBOT (BEIJING) TECH. CO., LTD**, Beijing (CN)

(74) *Attorney, Agent, or Firm* — Margaret Polson; Polson Intellectual Property Law, PC

(\*\*) Term: **15 Years**

(57) **CLAIM**

The ornamental design for a go-kart, as shown and described.

(21) Appl. No.: **35/507,446**

**DESCRIPTION**

(22) Filed: **Feb. 28, 2019**

The patent or application file contains at least one drawing executed in color. Copies of this patent or patent application publication with color drawing(s) will be provided by the Office upon request and payment of the necessary fee.

(80) **Hague Agreement Data**

Int. Filing Date: **Feb. 28, 2019**

Int. Reg. No.: **DM/202839**

Int. Reg. Date: **Feb. 28, 2019**

Int. Reg. Pub. Date: **Sep. 20, 2019**

1.-3. Go-Kart

1.1 : Perspective

1.2 : Front

1.3 : Back

1.4 : Left

1.5 : Right

1.6 : Top

1.7 : Bottom

1.8 : Perspective

(30) **Foreign Application Priority Data**

Aug. 31, 2018 (CN) ..... 2018 3 0490460

(51) **LOC (12) Cl.** ..... **12-08**

(52) **U.S. Cl.**  
USPC ..... **D12/88**

(58) **Field of Classification Search**  
USPC .... D12/1, 86, 87, 88, 91, 92, 112, 114, 133;  
D21/419, 424-427, 433, 434  
(Continued)

2.1 : Perspective

2.2 : Front

2.3 : Back

2.4 : Left

2.5 : Right

2.6 : Top

2.7 : Bottom

2.8 : Perspective

(56) **References Cited**

U.S. PATENT DOCUMENTS

D190,114 S \* 4/1961 Ellsworth ..... D12/88

D193,706 S \* 10/1962 Davies ..... D12/88

(Continued)

3.1 : Perspective

3.2 : Front

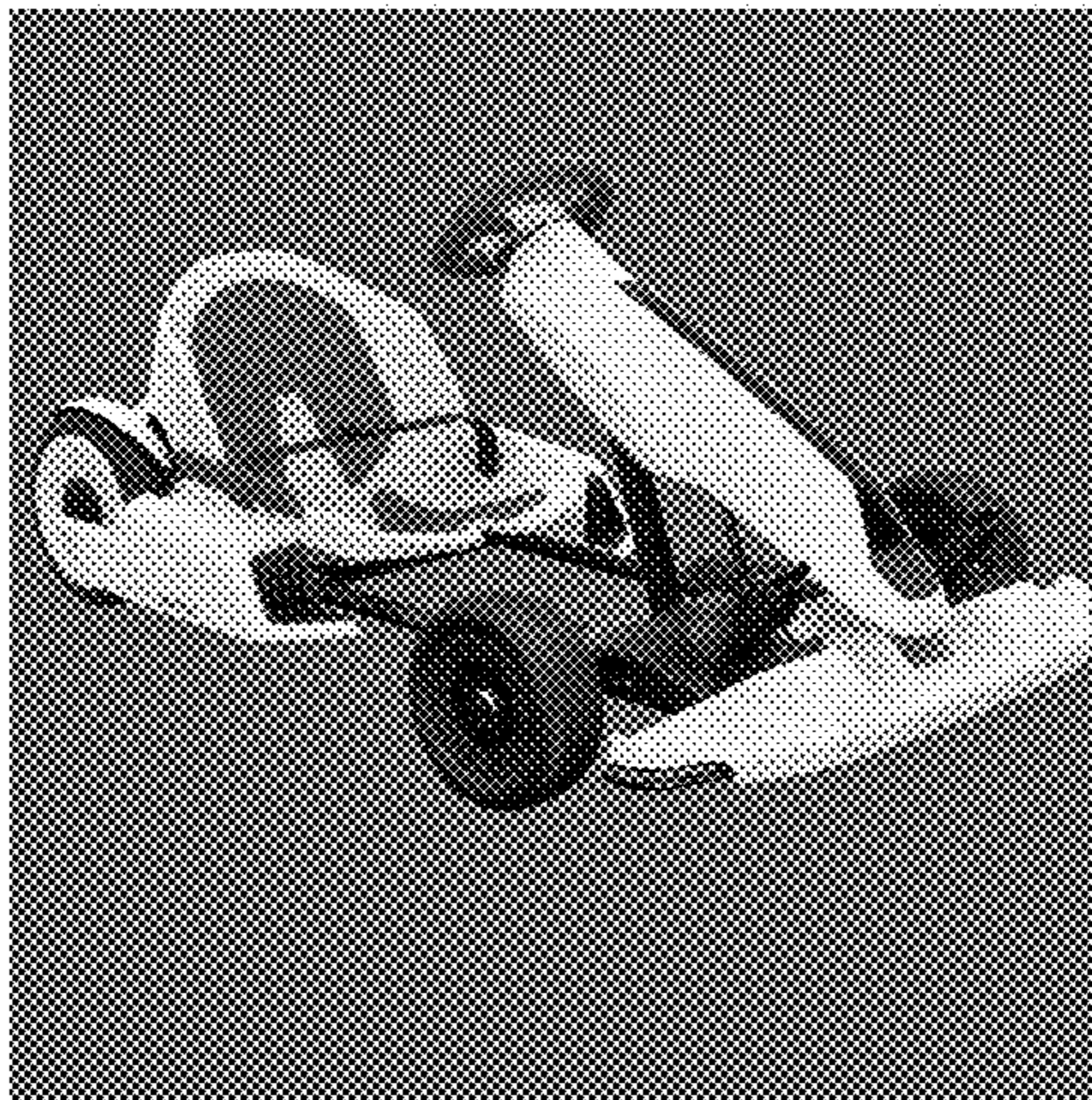
3.3 : Back

3.4 : Left

3.5 : Right

3.6 : Top

(Continued)



# US D894,791 S

Page 2

3.7 : Bottom  
3.8 : Perspective

**1 Claim, 24 Drawing Sheets**  
**(24 of 24 Drawing Sheet(s) Filed in Color)**

(58) **Field of Classification Search**  
CPC .. B62B 7/06; B62B 7/08; B62B 7/083; B60Y  
2200/114; B60Y 2200/81; B60Y 2200/86  
See application file for complete search history.

(56) **References Cited**

## U.S. PATENT DOCUMENTS

3,115,350 A \* 12/1963 Quick, Jr. .... B62D 21/183  
280/793  
D230,962 S \* 3/1974 Detjen ..... D12/88  
3,799,283 A \* 3/1974 Freber ..... B60G 9/00  
180/56  
D373,976 S \* 9/1996 Bartolini ..... D12/88  
D453,710 S \* 2/2002 Hettich ..... D12/86  
D488,194 S \* 4/2004 Fox ..... D21/424  
D510,055 S \* 9/2005 Yi ..... B62D 21/183  
D12/88

D692,505 S \* 10/2013 Jiang ..... D12/112  
D692,506 S \* 10/2013 Jiang ..... D12/112  
D739,304 S \* 9/2015 Brown ..... D12/87  
D776,204 S \* 1/2017 van den Berg ..... D21/426  
D778,369 S \* 2/2017 Douma ..... B60K 17/04  
D21/424  
D820,729 S \* 6/2018 De Roeck ..... D12/87  
D822,120 S \* 7/2018 van den Berg ..... D21/426  
D886,908 S \* 6/2020 van den Berg ..... D21/426  
2002/0017418 A1\* 2/2002 Korenjack ..... B60K 17/04  
180/291

## FOREIGN PATENT DOCUMENTS

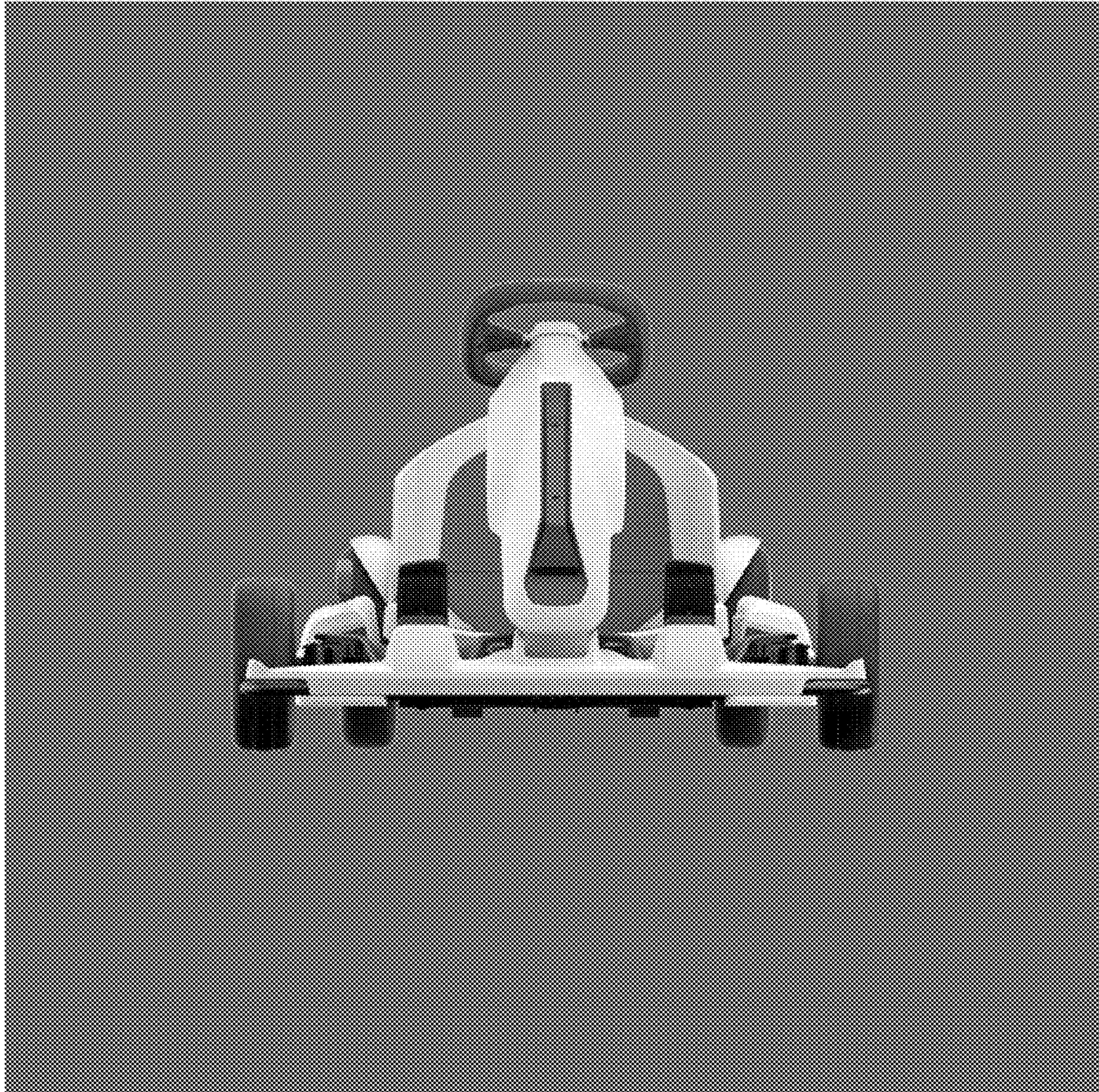
CN 301344165 S 9/2010  
CN 302455023 S 6/2013  
CN 303579809 S 2/2016  
CN 303804578 S 8/2016  
CN 303929584 S 11/2016  
CN 303977599 S 12/2016  
CN 304157561 S 6/2017  
CN 304592936 S 4/2018  
EM 006048542-001 \* 1/2019  
EM 0006082202-0001 \* 1/2019  
KR 300597874 5/2011

\* cited by examiner

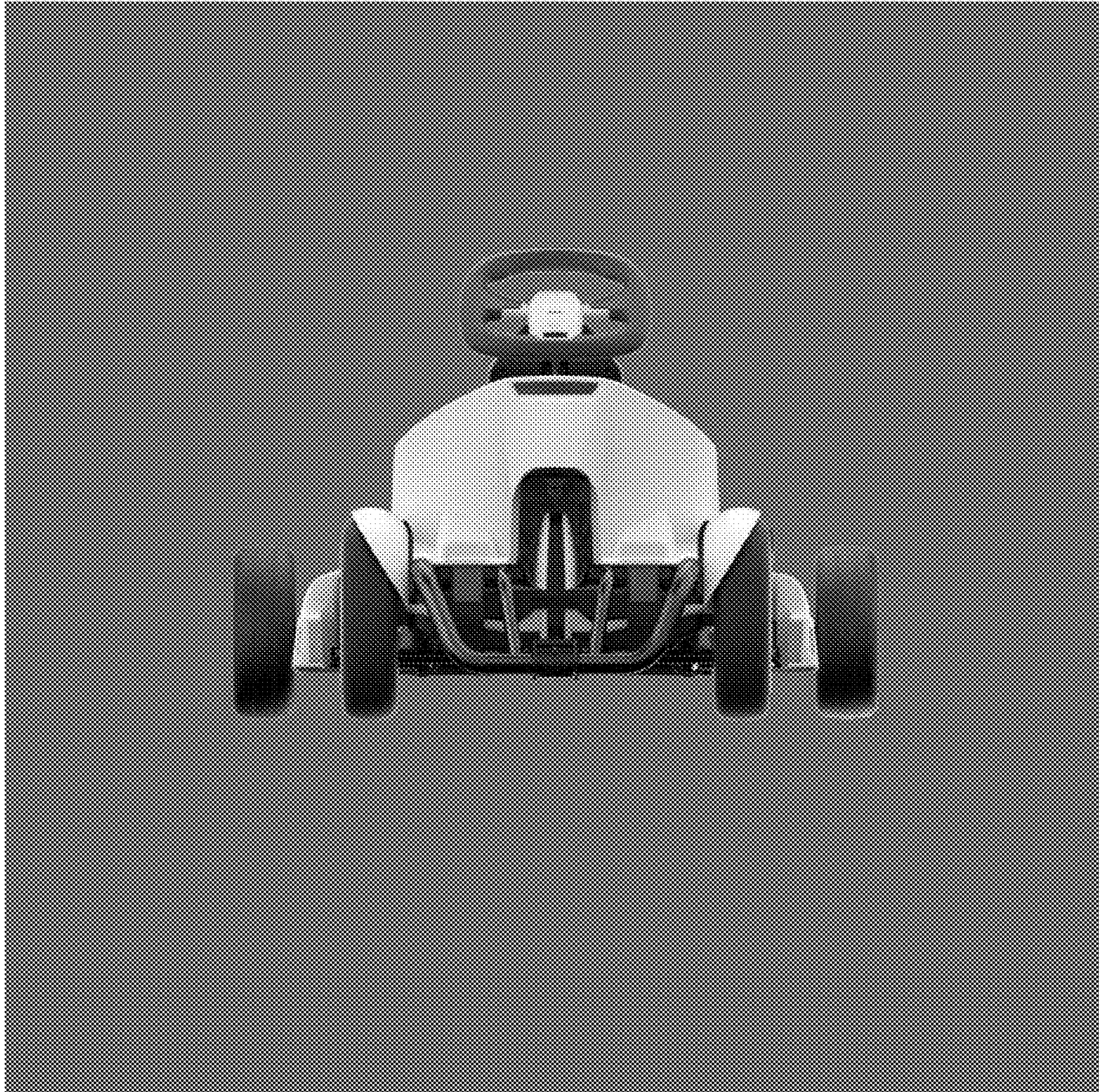
1.1



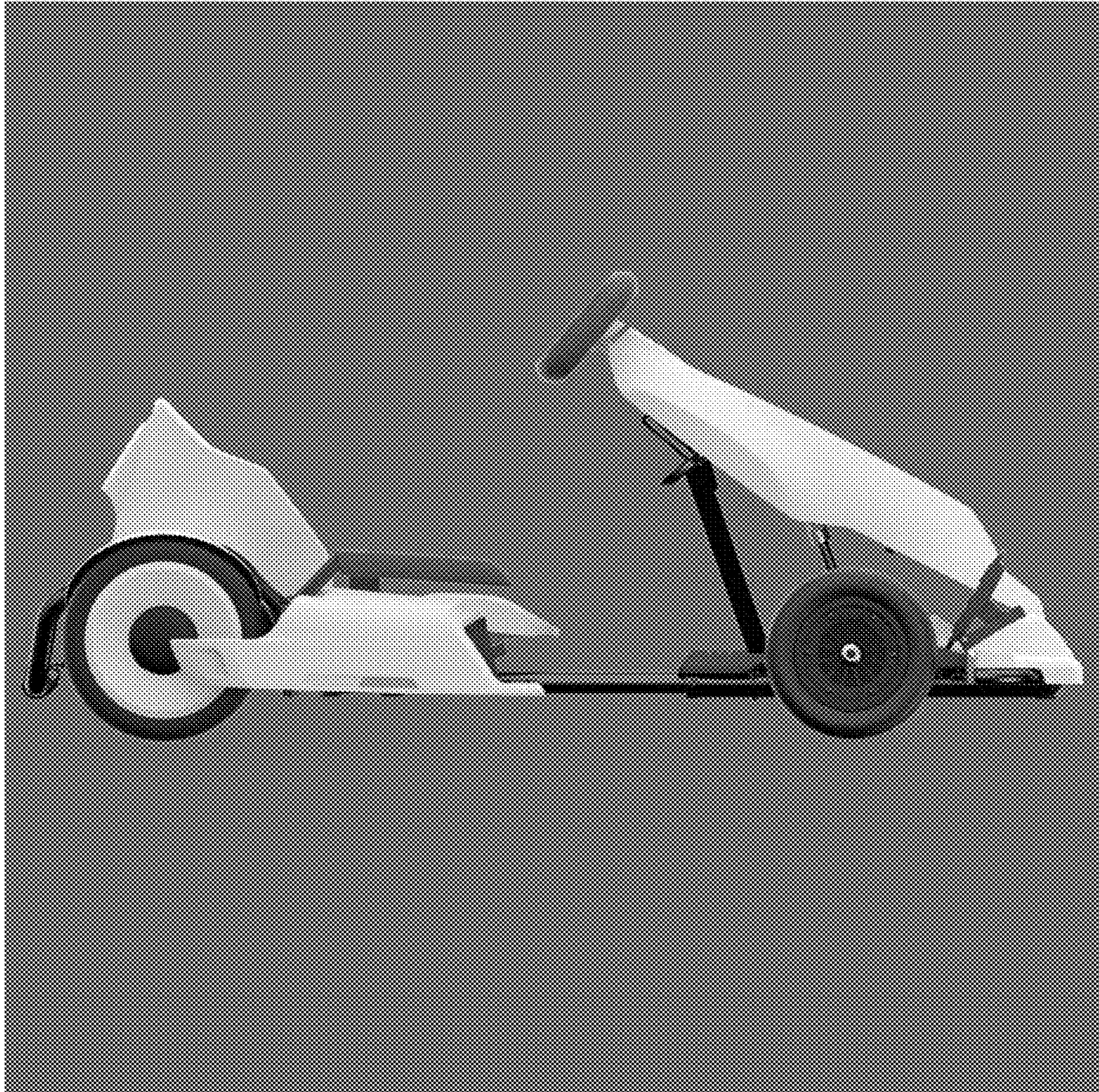
1.2



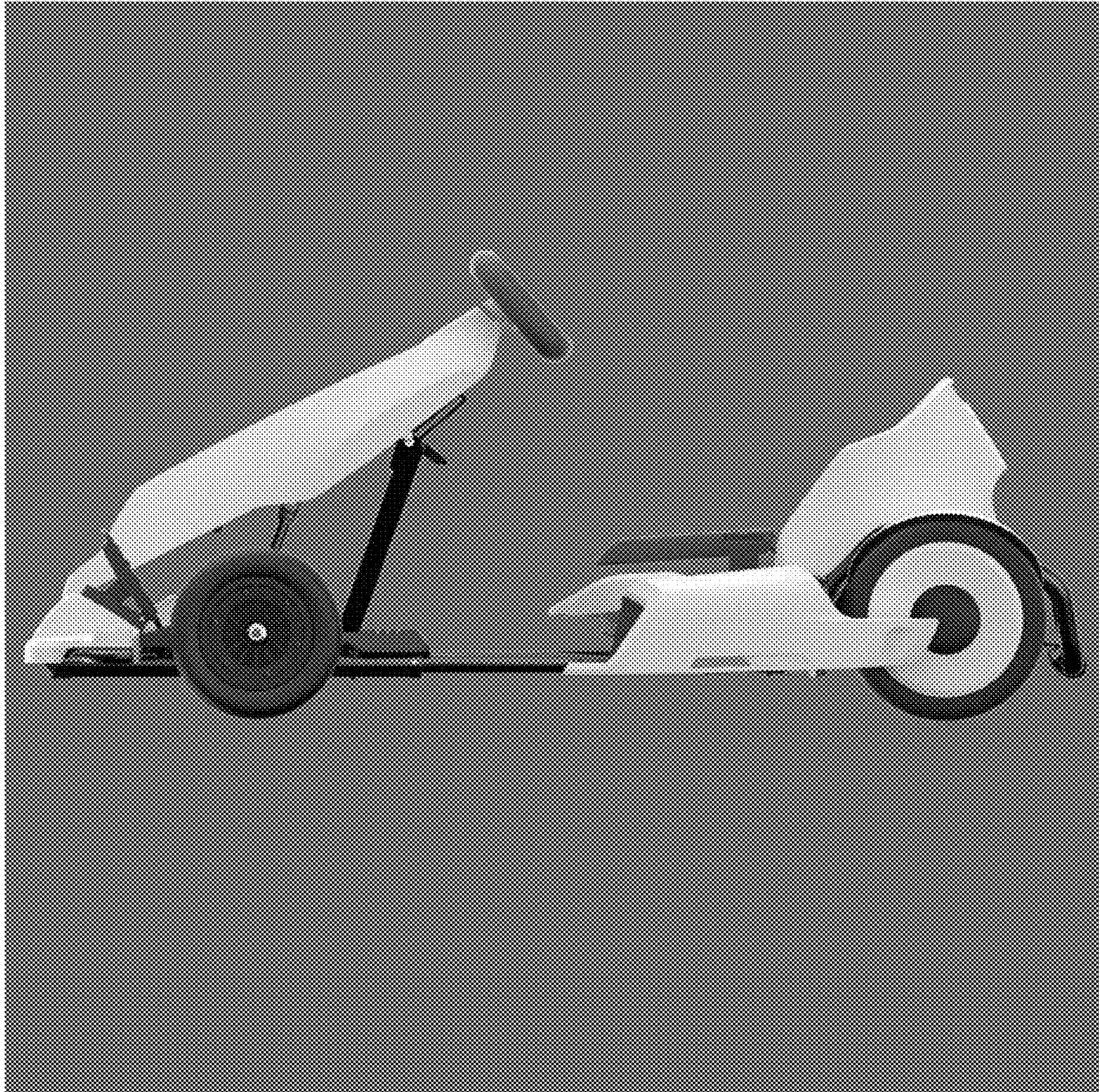
1.3



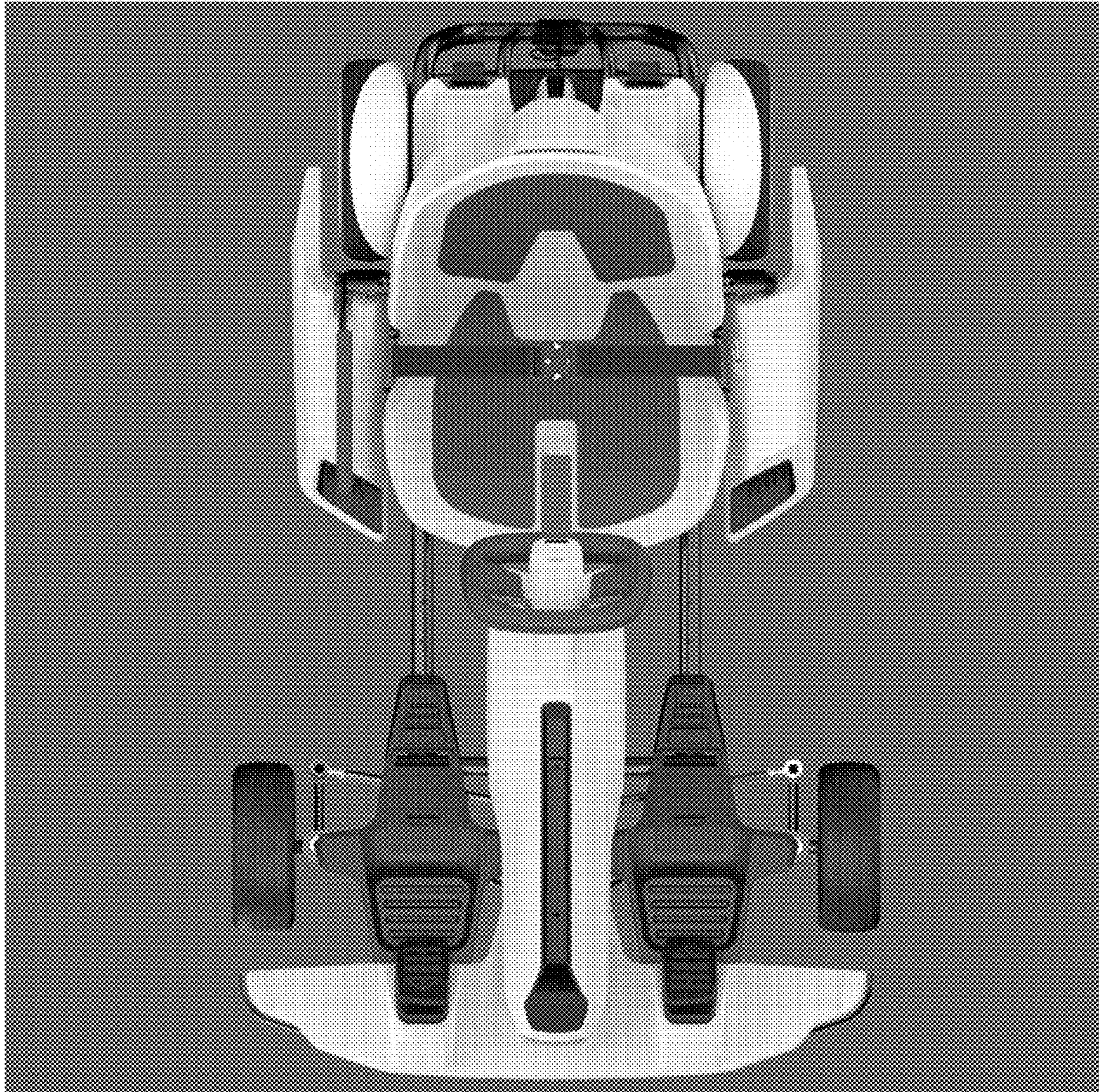
1.4



1.5

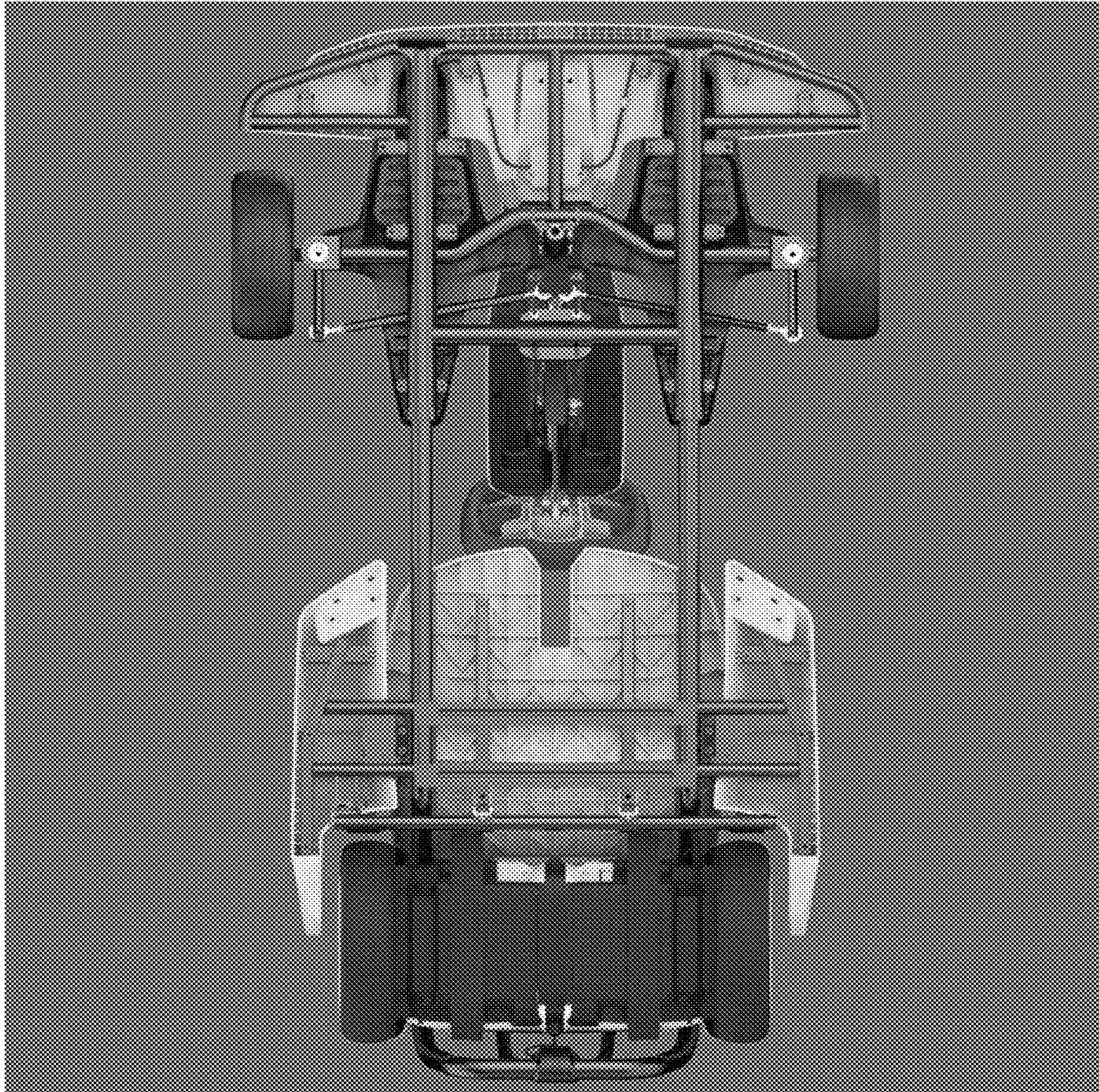


1.6

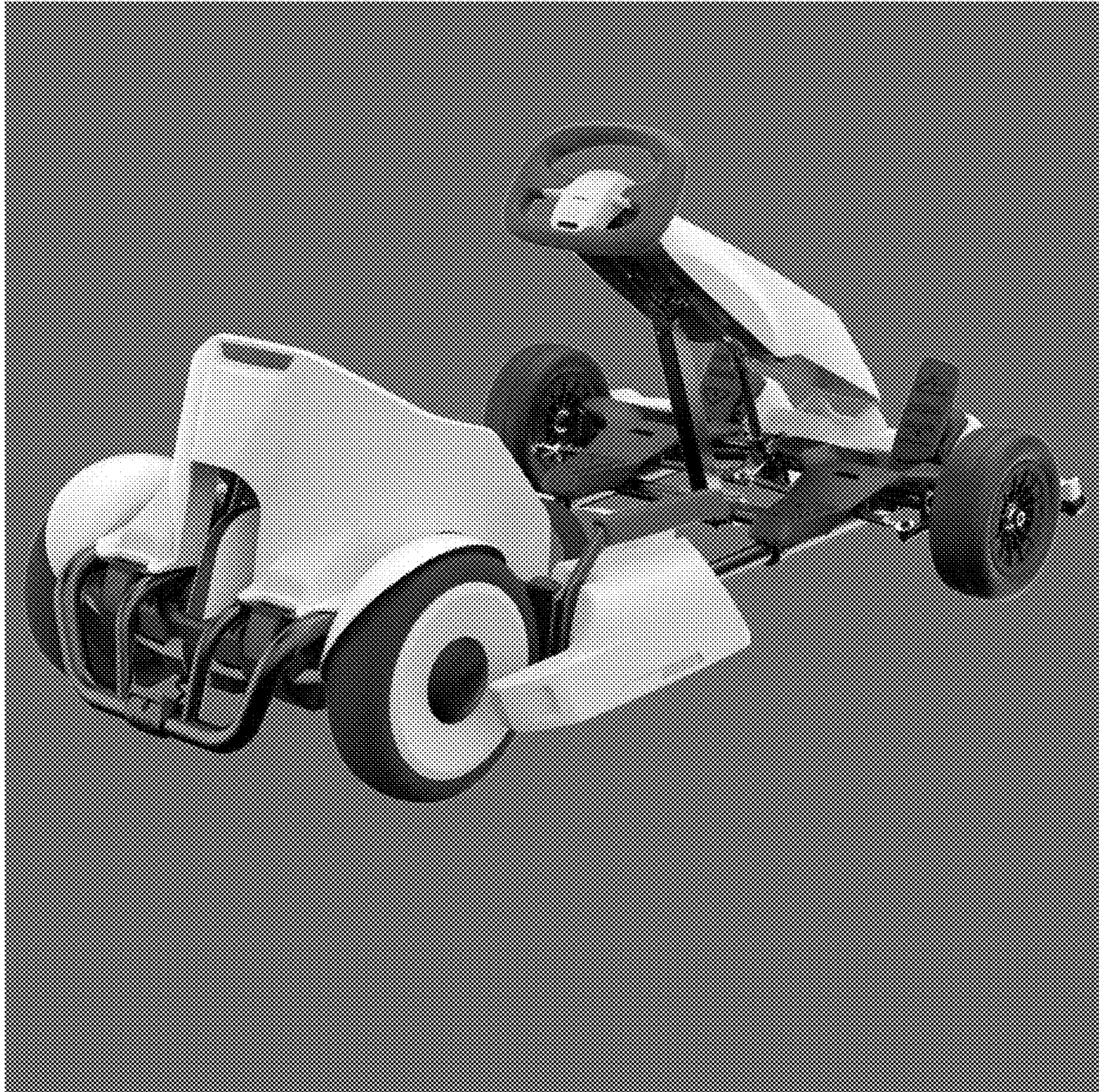




1.7



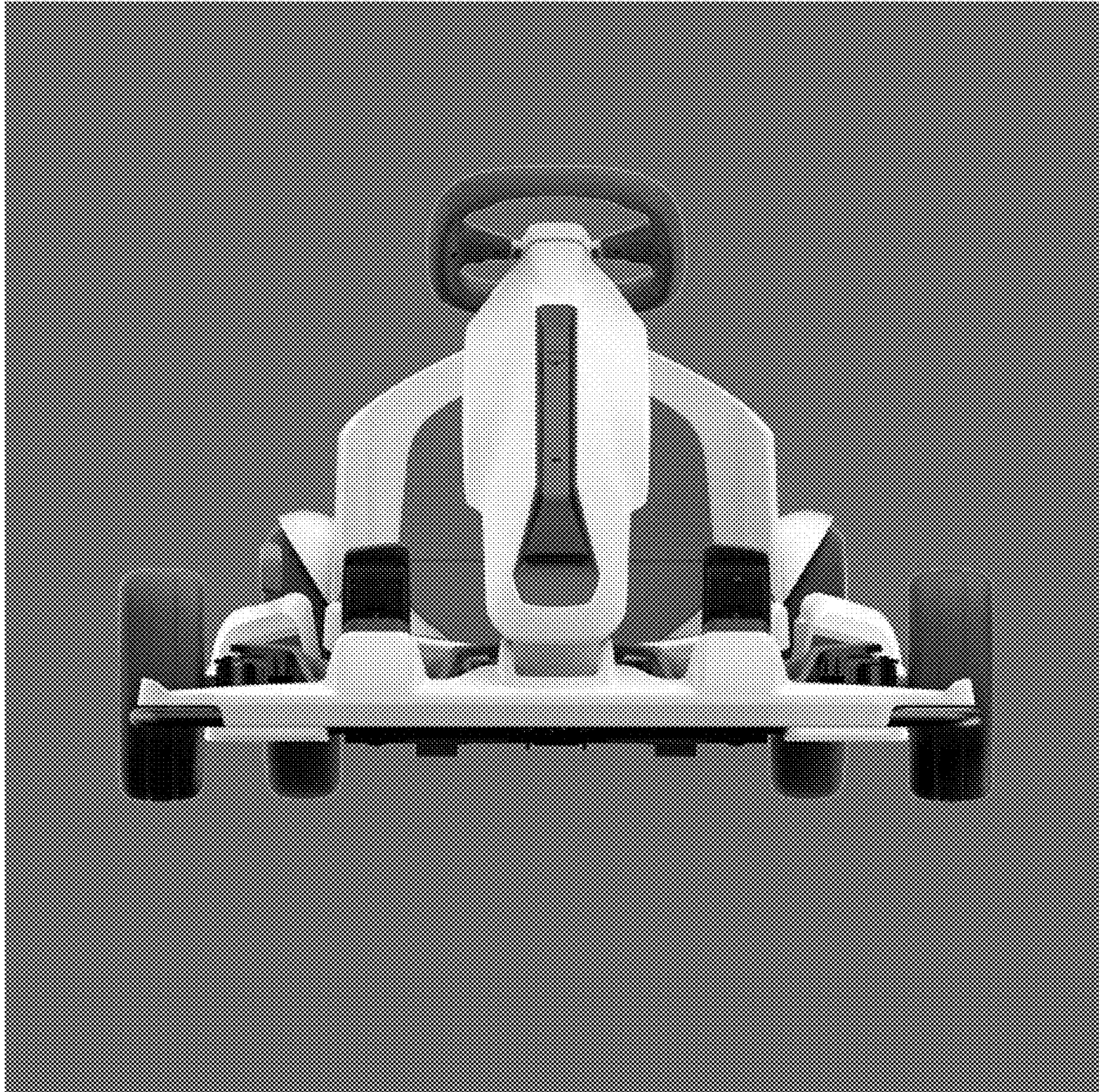
1.8



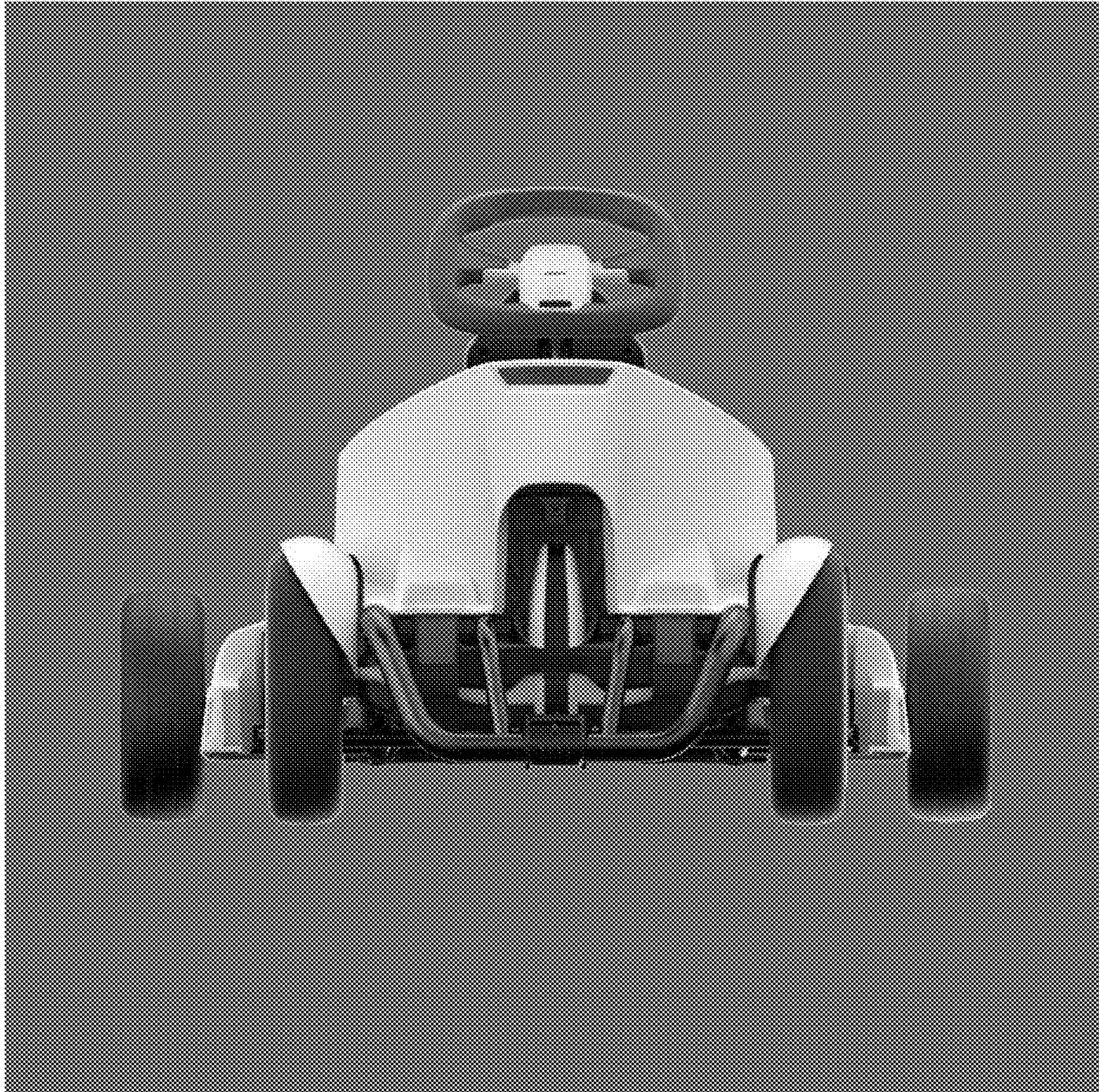
2.1



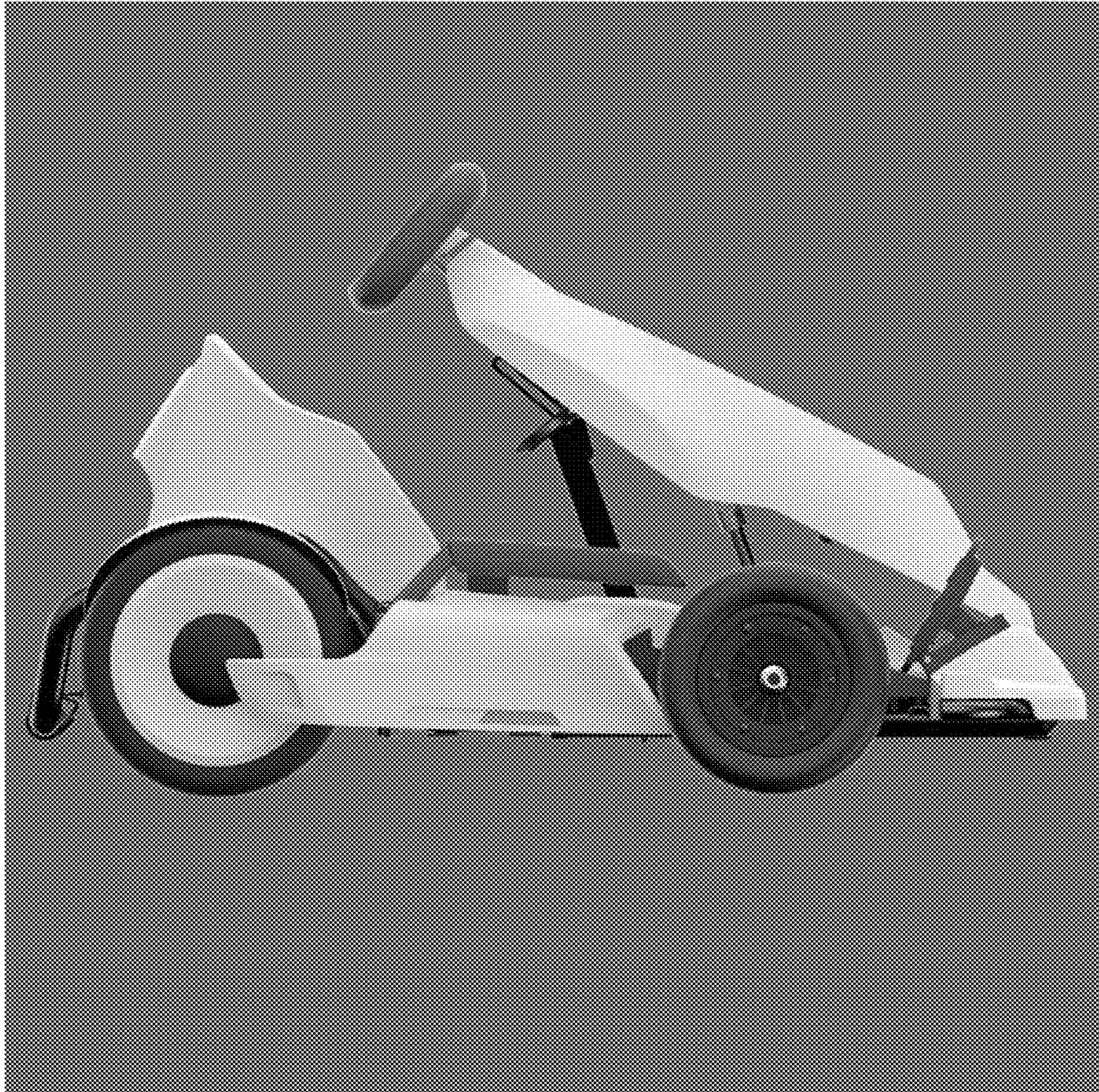
2.2



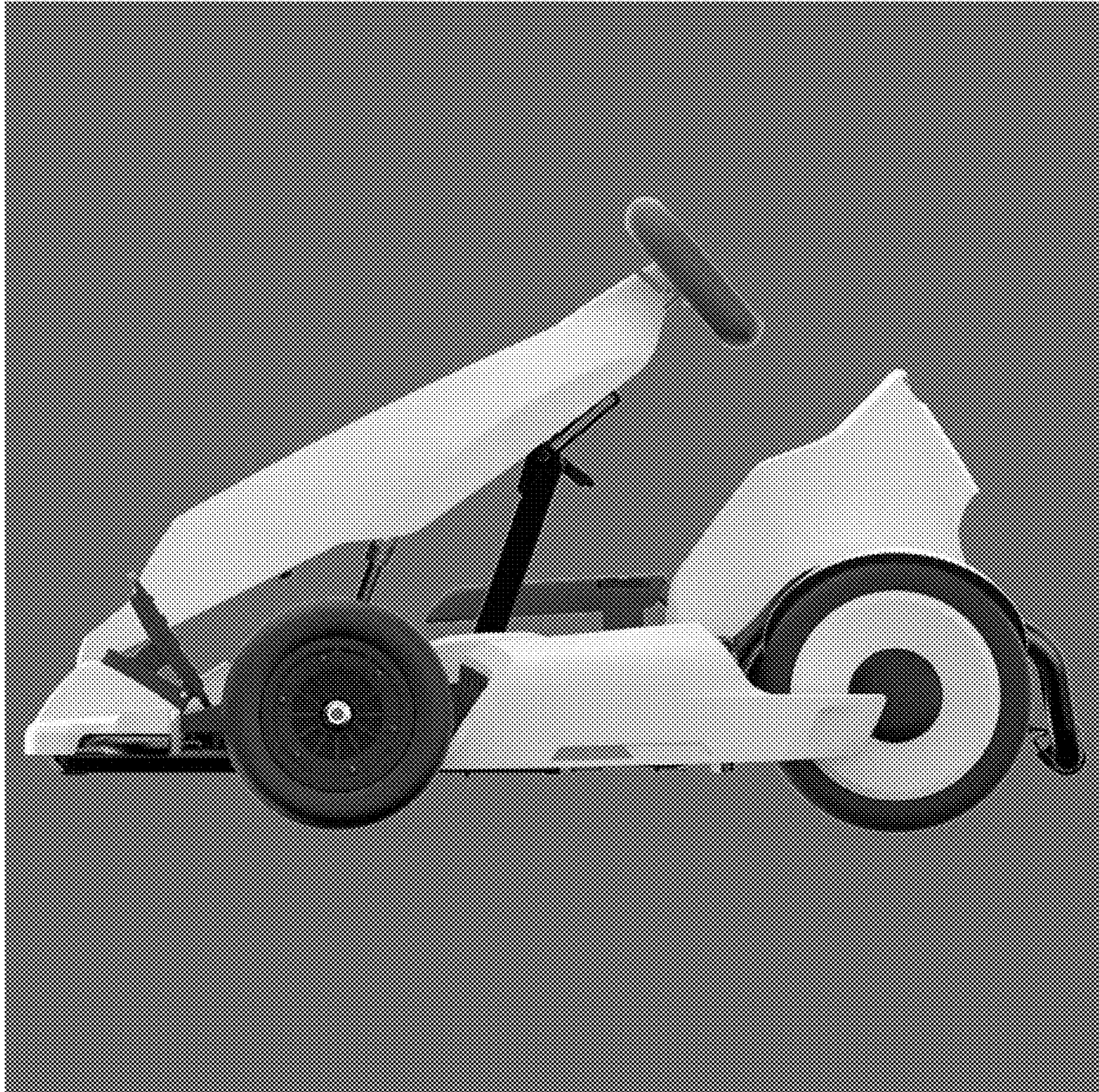
2.3



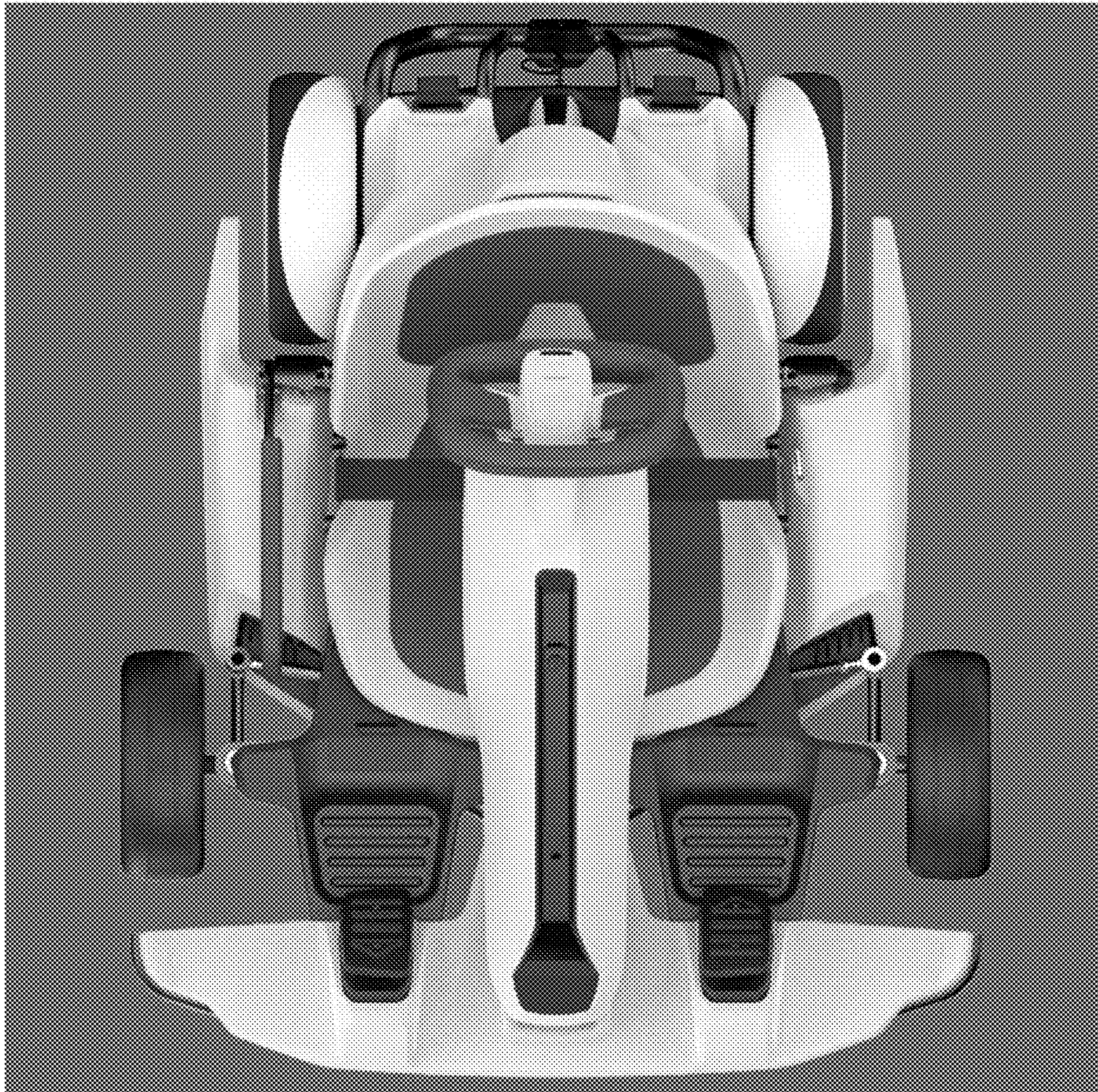
2.4



2.5

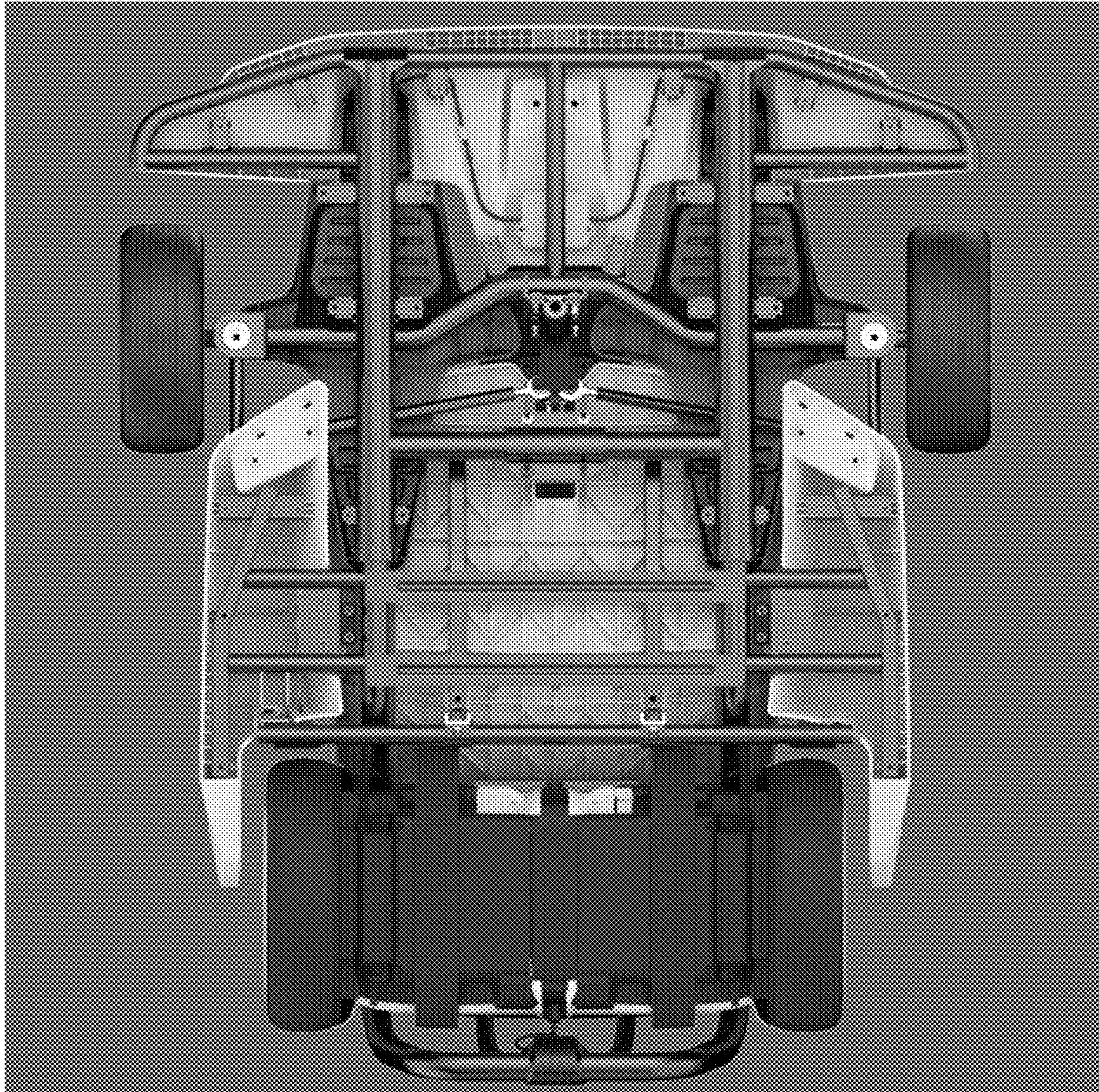


2.6





2.7



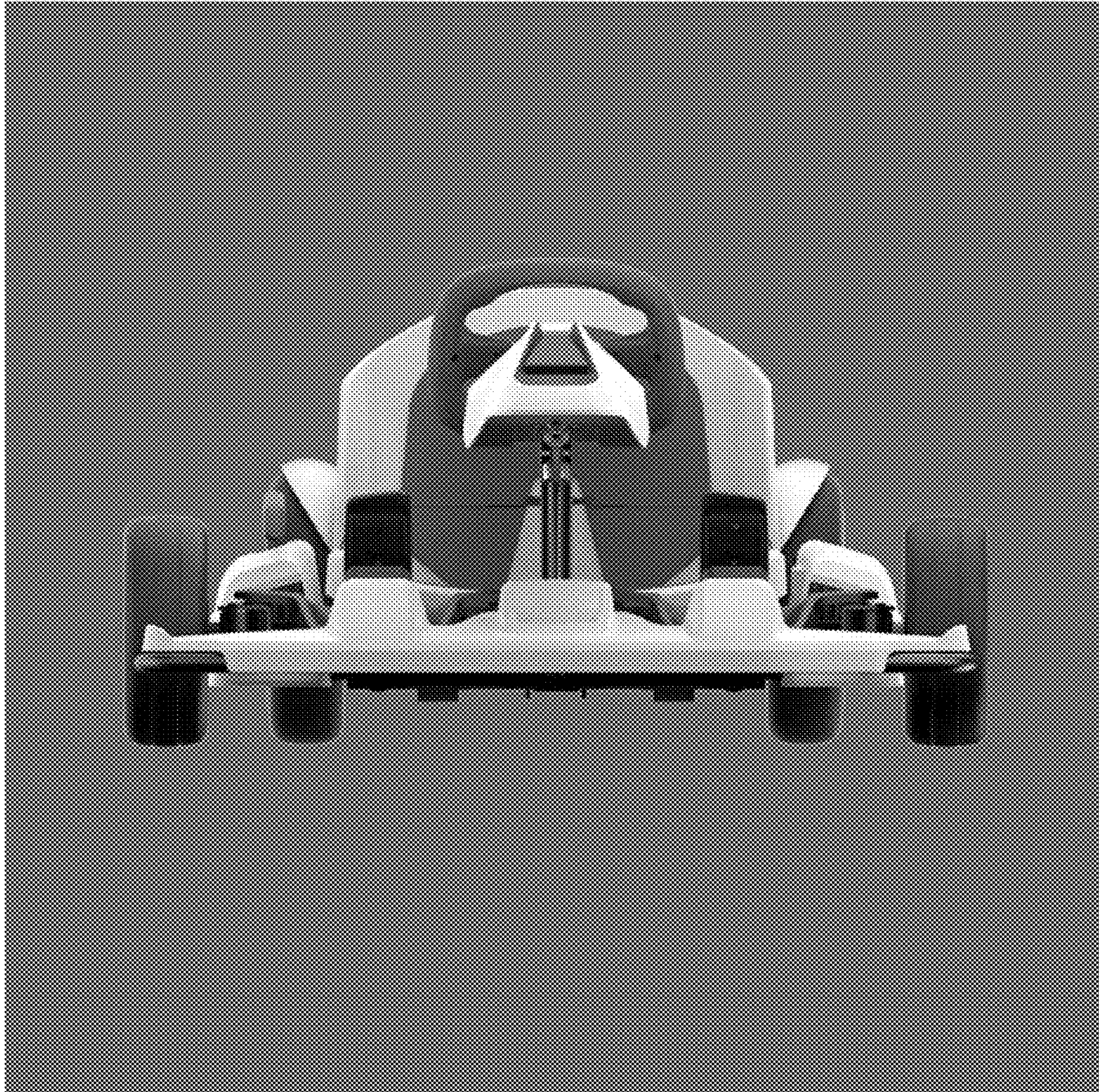
2.8



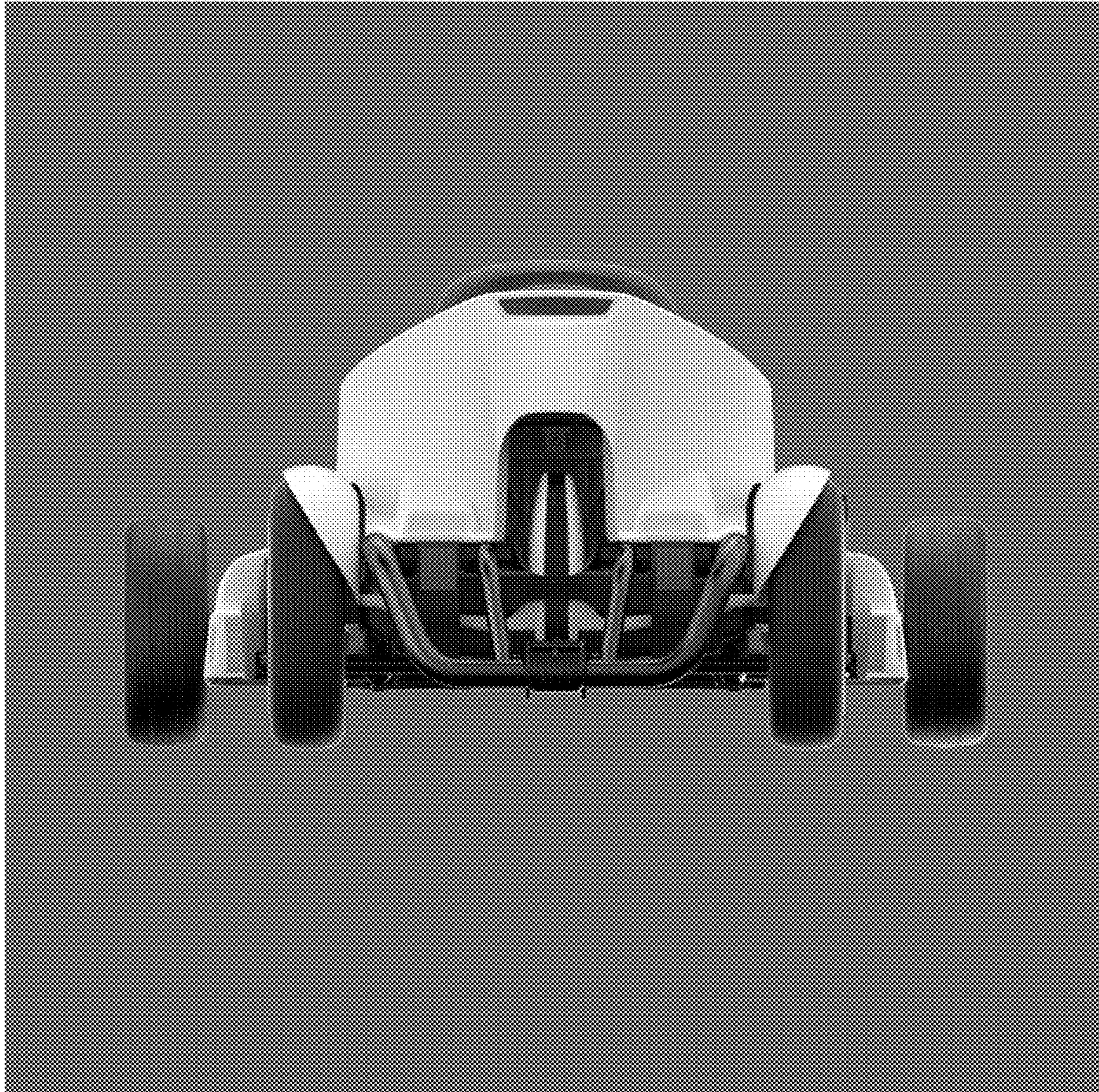
3.1



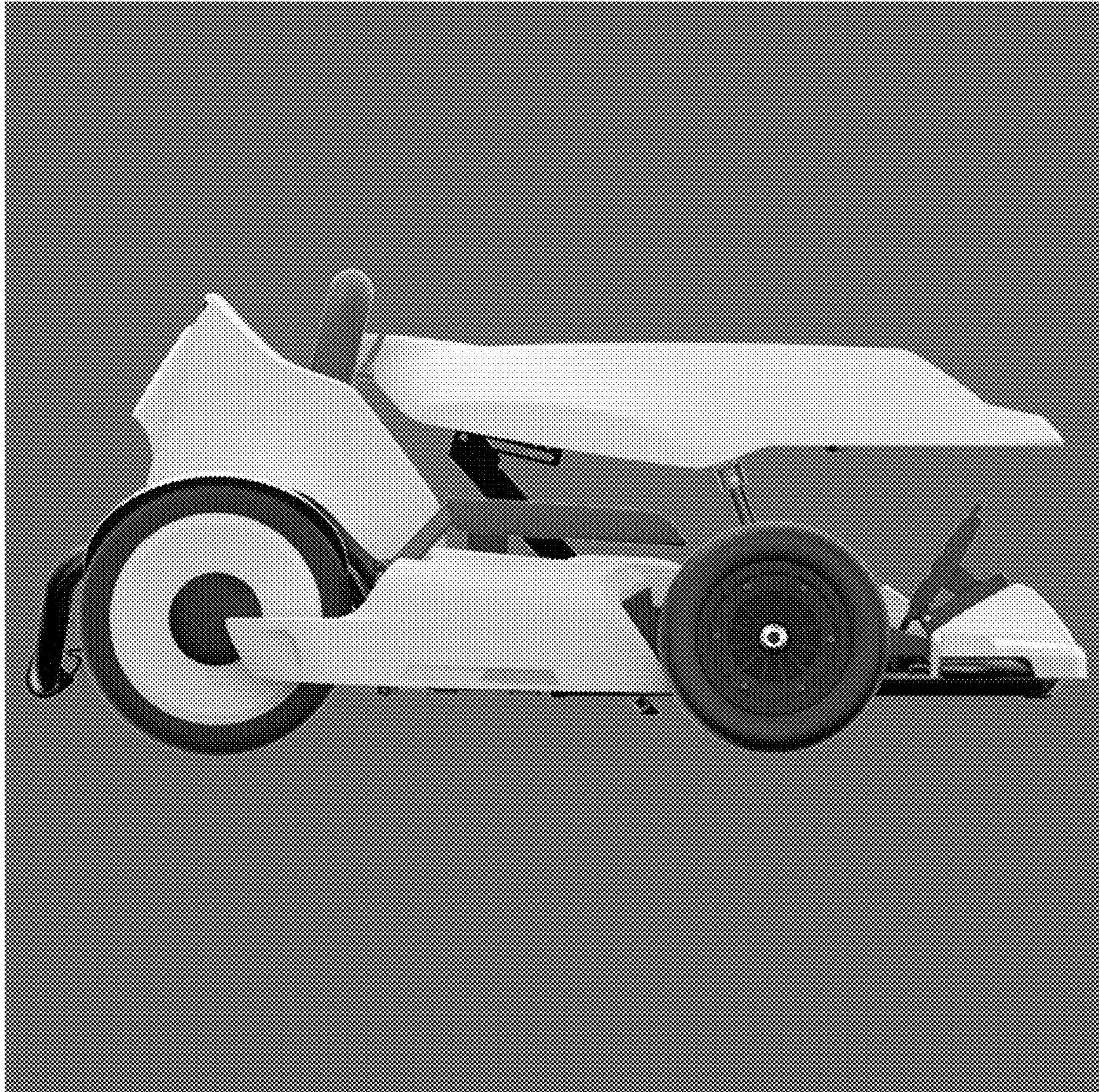
3.2



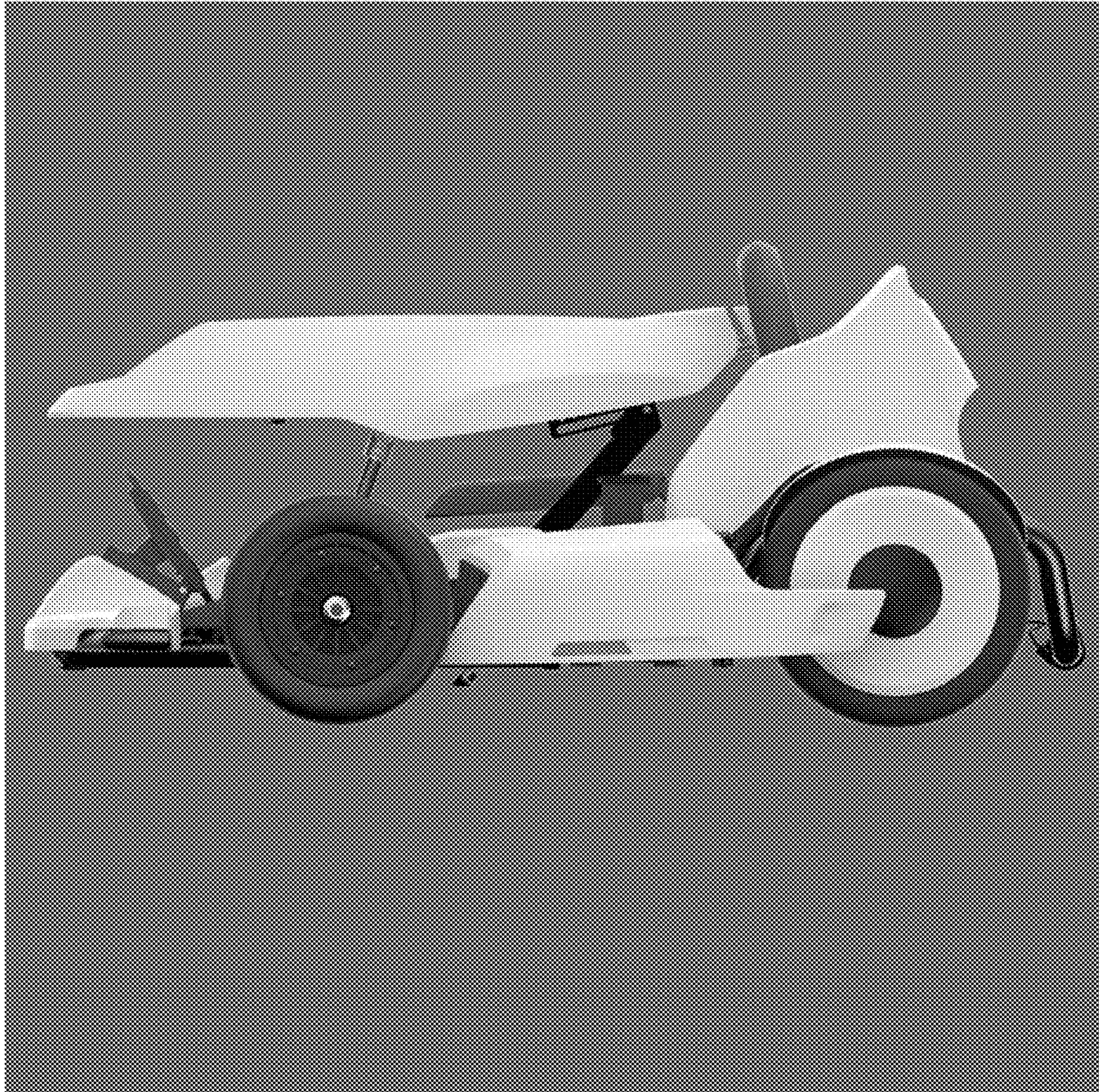
3.3



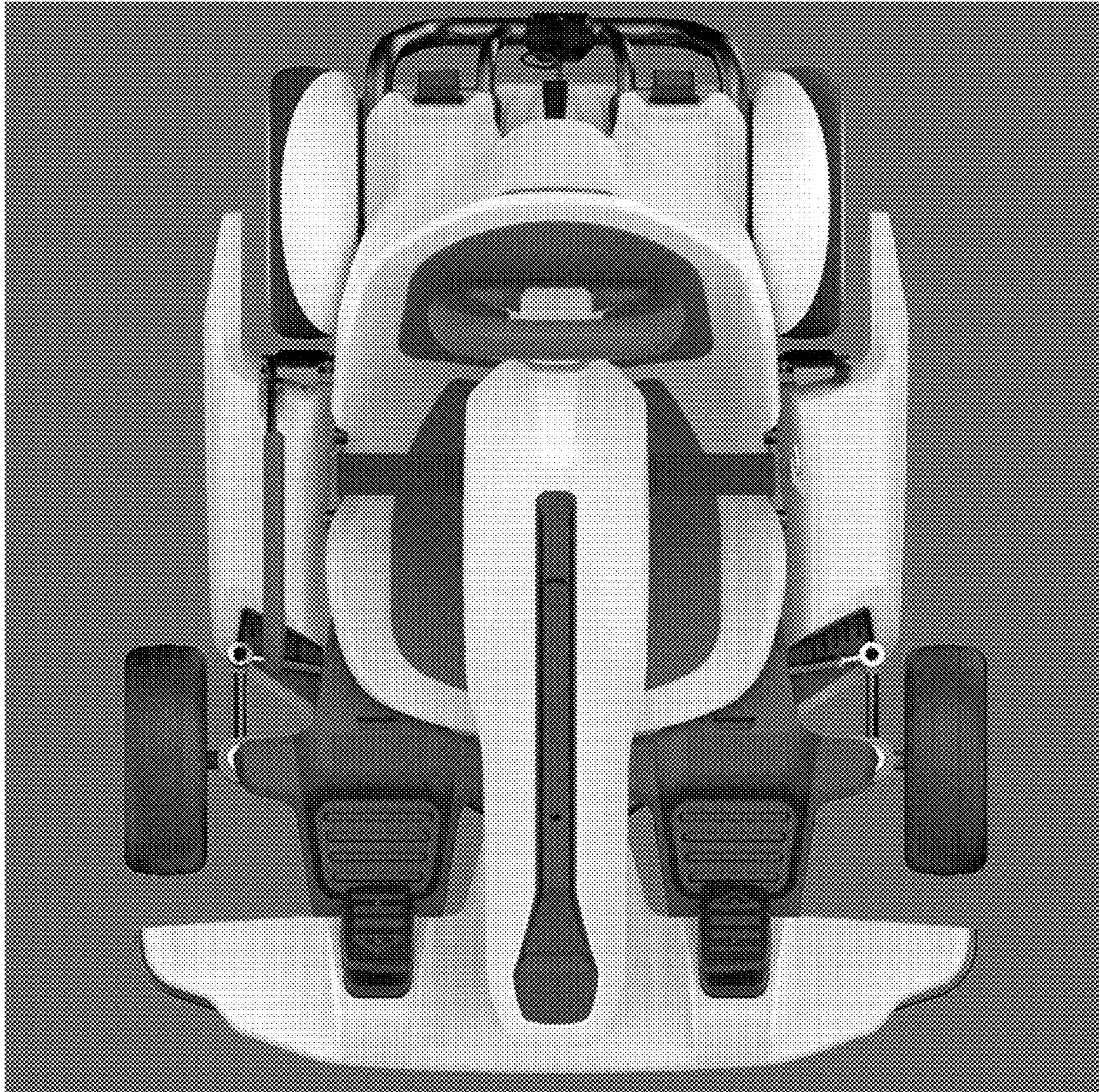
3.4



3.5

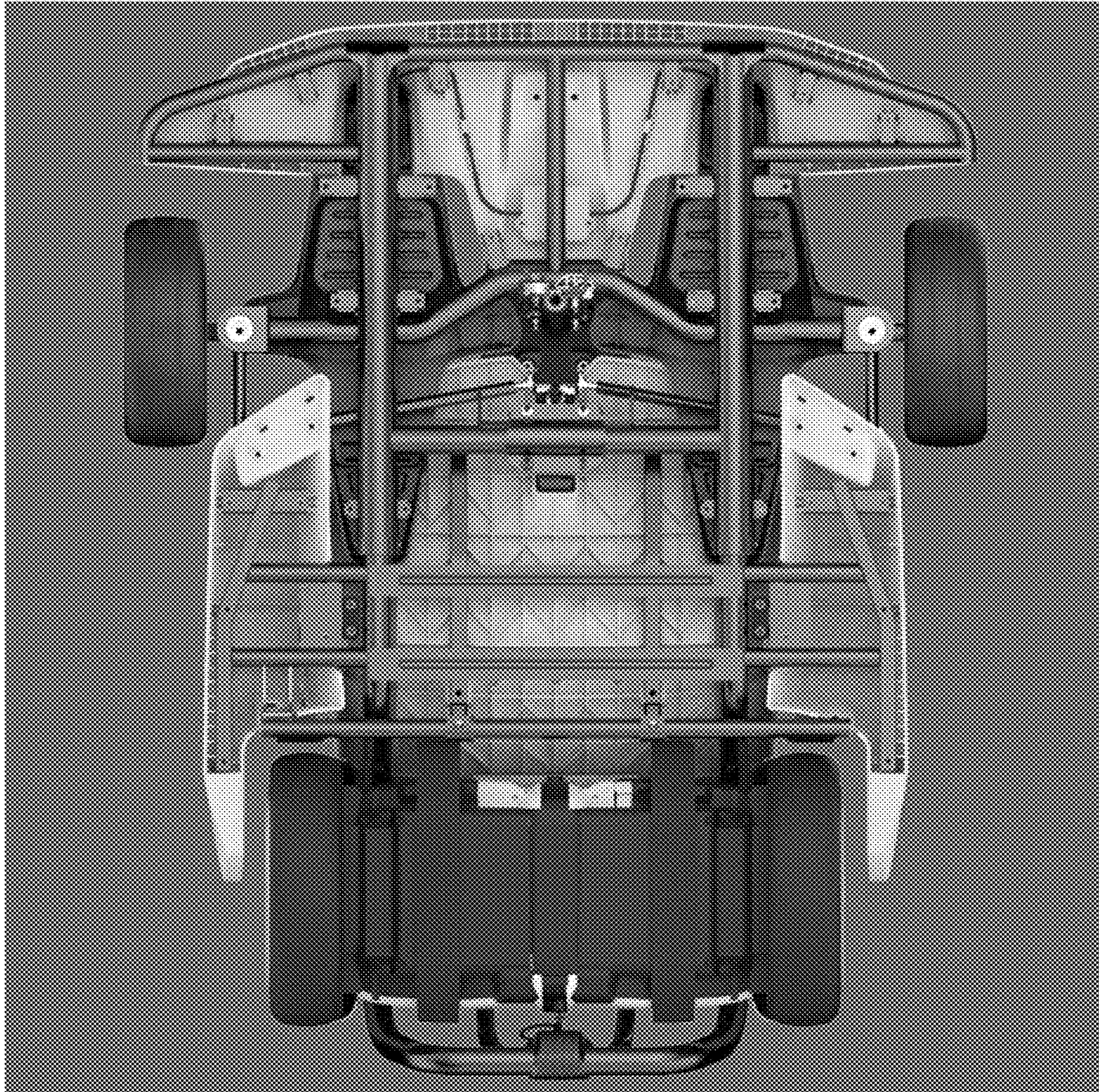


3.6





3.7



3.8

