



US00D894789S

(12) **United States Design Patent**
Stern

(10) **Patent No.:** **US D894,789 S**

(45) **Date of Patent:** **** Sep. 1, 2020**

(54) **CUFF LINK**
(71) Applicant: **PATEK PHILIPPE SA GENEVE,**
Geneva (CH)
(72) Inventor: **Thierry Stern,** Geneva (CH)
(**) Term: **15 Years**
(21) Appl. No.: **35/505,645**
(22) Filed: **Mar. 14, 2018**
(80) **Hague Agreement Data**
Int. Filing Date: **Mar. 14, 2018**
Int. Reg. No.: **DM/100570**
Int. Reg. Date: **Mar. 14, 2018**
Int. Reg. Pub. Date: **Sep. 14, 2018**

1,367,555 A * 2/1921 Lipkin A44B 5/00
24/113 MP
1,461,524 A * 7/1923 Goodard A44B 5/00
24/102 E
D152,701 S * 2/1949 Katz D11/86
D336,060 S * 6/1993 Chia D11/6
D356,052 S * 3/1995 Andrau D11/40
6,363,584 B1 * 4/2002 Gero A44B 5/00
24/102 R
D631,780 S * 2/2011 Levy D11/87
D632,204 S * 2/2011 Schmitz D11/87
D654,822 S * 2/2012 Greppi D11/1
D698,129 S * 1/2014 Marz D2/858
D792,281 S * 7/2017 Zander D11/222
D843,259 S * 3/2019 Pucek D11/86

(51) **LOC (12) Cl.** **02-07**
(52) **U.S. Cl.**
USPC **D11/222**
(58) **Field of Classification Search**
USPC D2/621, 623, 633, 639, 858; D11/22, 86,
D11/87, 93, 222
CPC A44B 5/00
See application file for complete search history.

OTHER PUBLICATIONS

Curatedition. Patek Philippe: Time Ownership by DR Kenny Pang.
Oct. 20, 2018. <https://curatedition.com/watches-and-jewellery/patek-philippe-time-ownership/> (Year: 2018).*

* cited by examiner

Primary Examiner — Darcey E Gottschalk

(56) **References Cited**

U.S. PATENT DOCUMENTS

D10,020 S * 5/1877 Gleason D11/93
D10,289 S * 10/1877 Heckmann D11/93
D12,062 S * 12/1880 Mason D11/86
944,251 A * 12/1909 Ball A44B 5/00
24/101 R
D49,866 S * 11/1916 Siebert D11/222

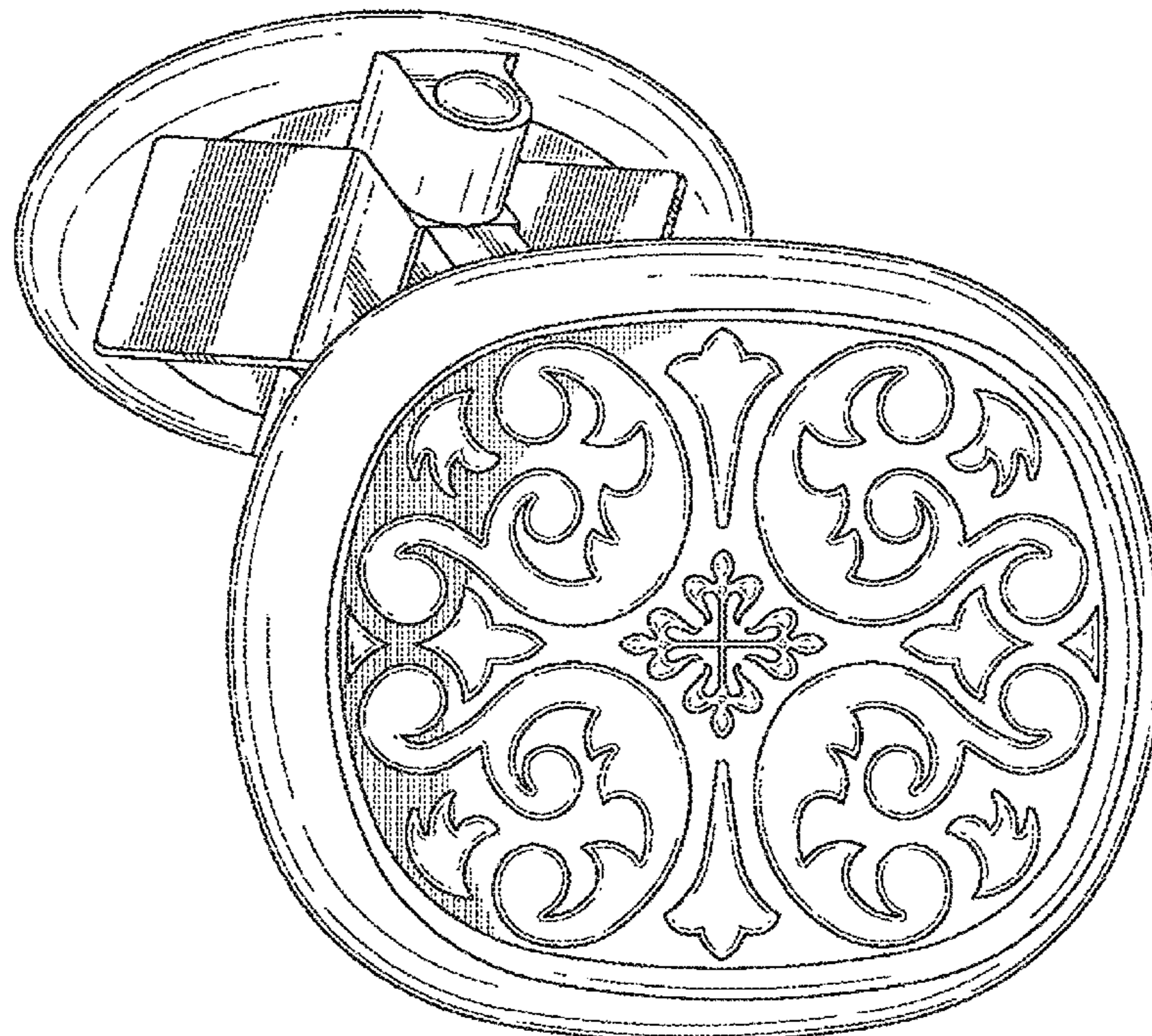
(57) **CLAIM**

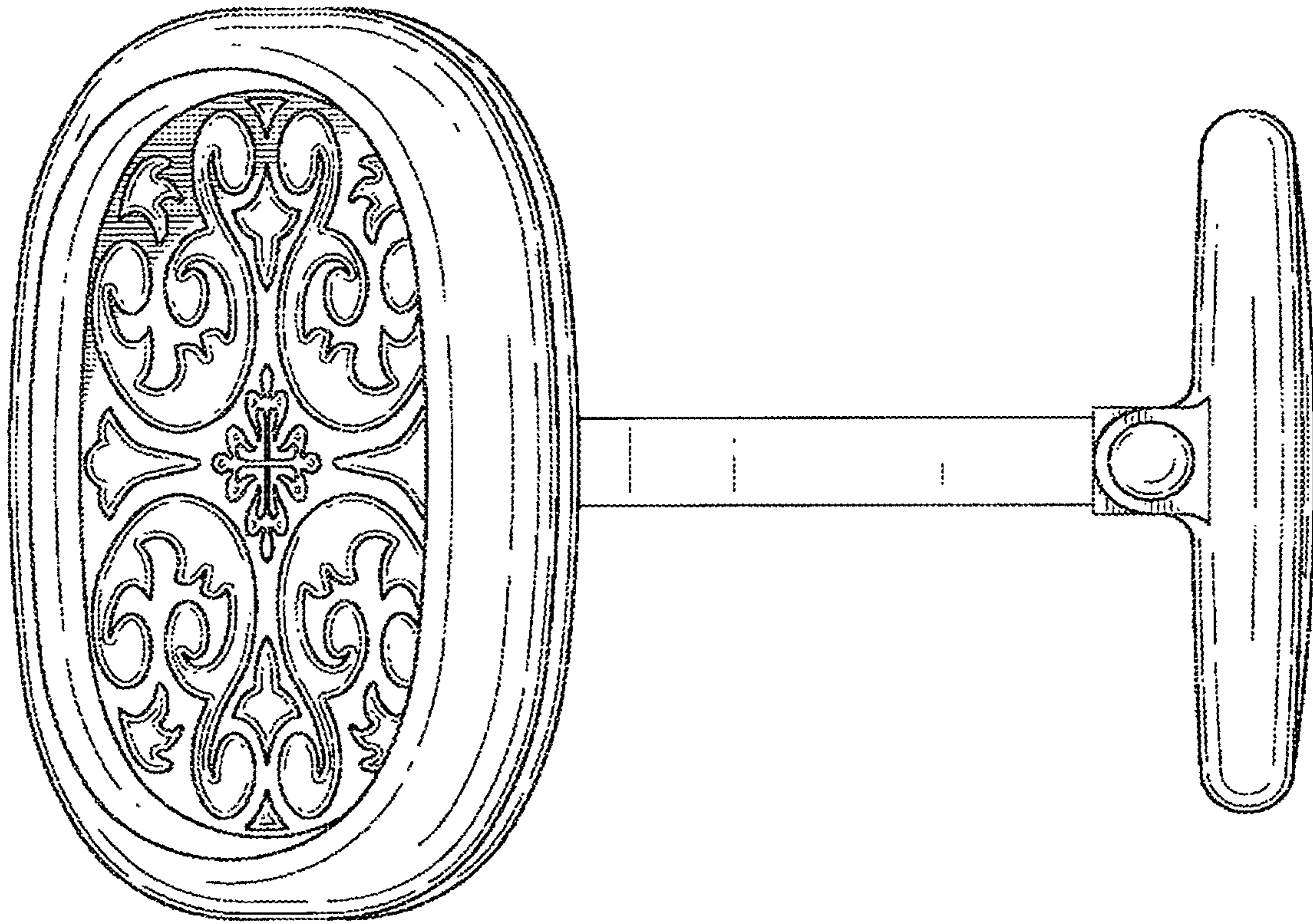
The ornamental design for a cuff link, as shown and described.

DESCRIPTION

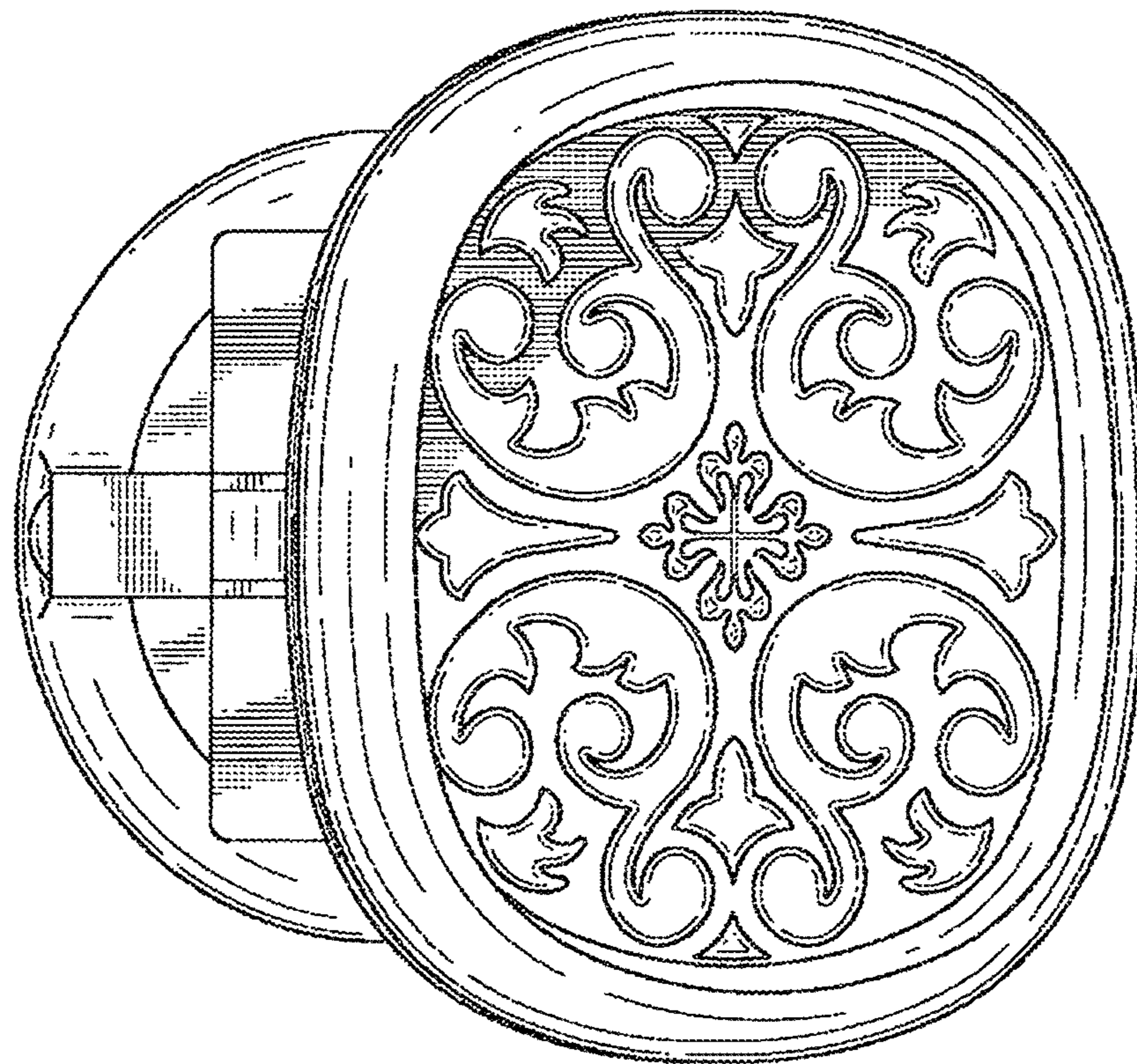
FIG. 1.2 Top;
FIG. 1.3 Bottom;
FIG. 1.4 Right;
FIG. 1.5 Left;
FIG. 1.6 Perspective.

1 Claim, 5 Drawing Sheets

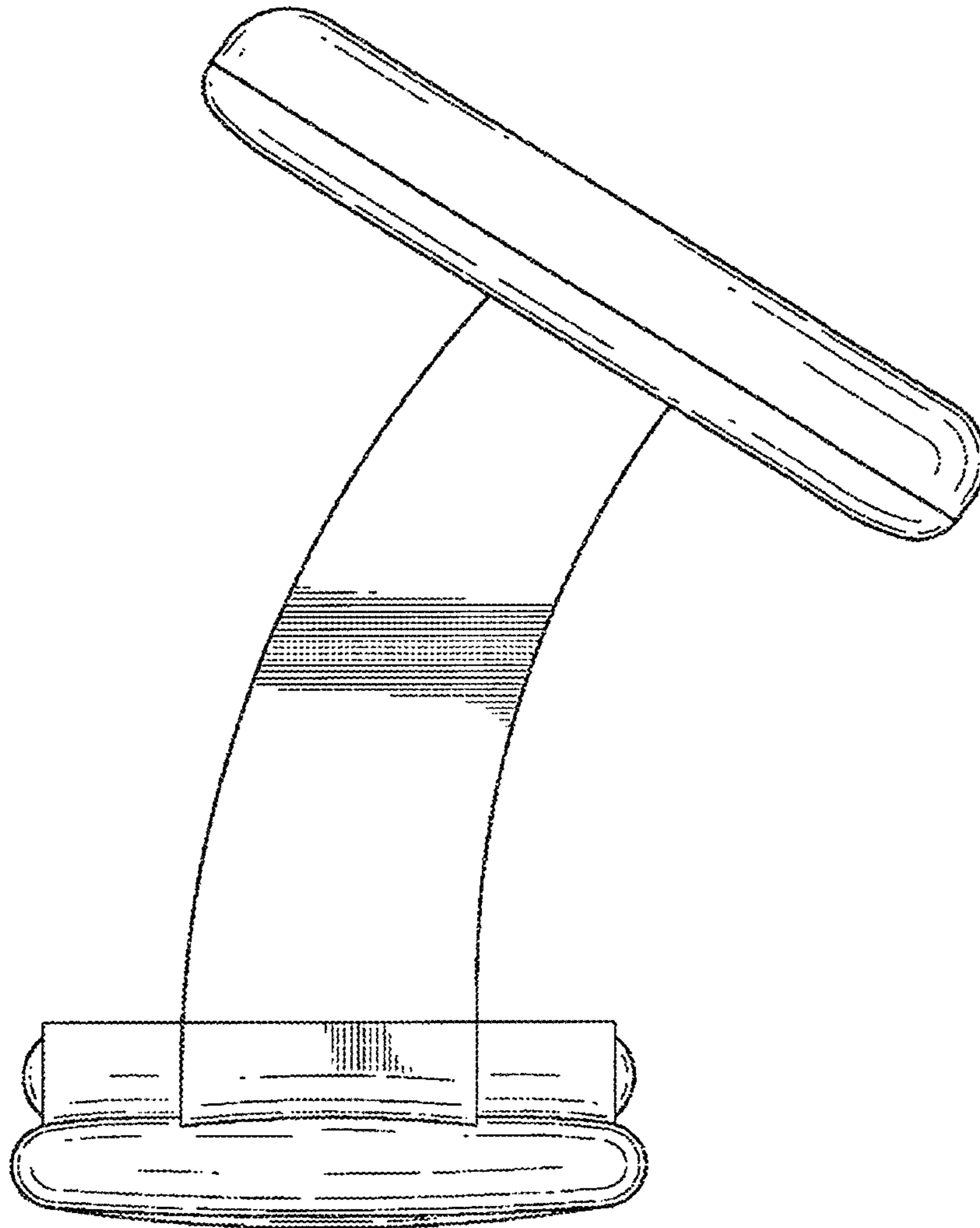




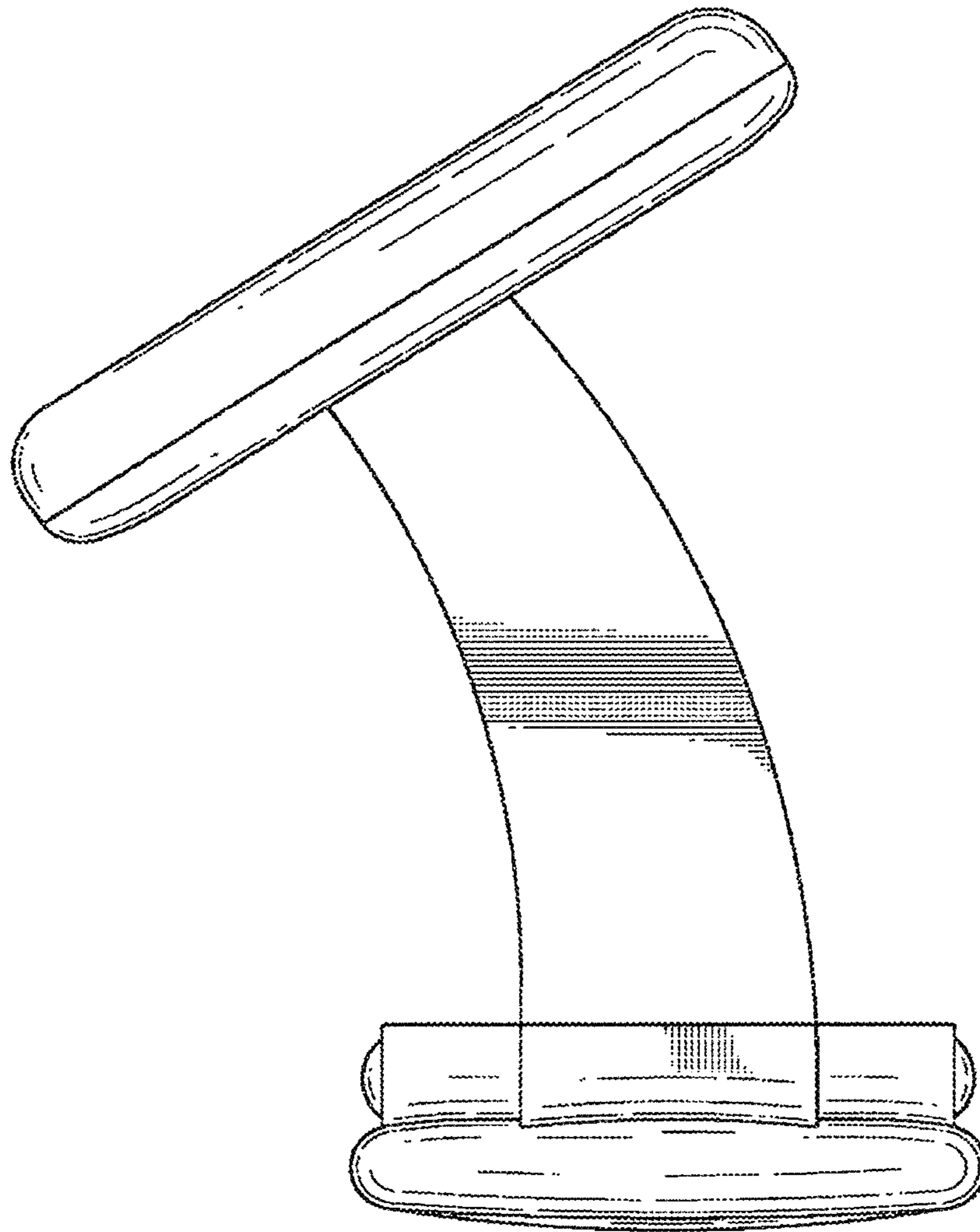
1.2



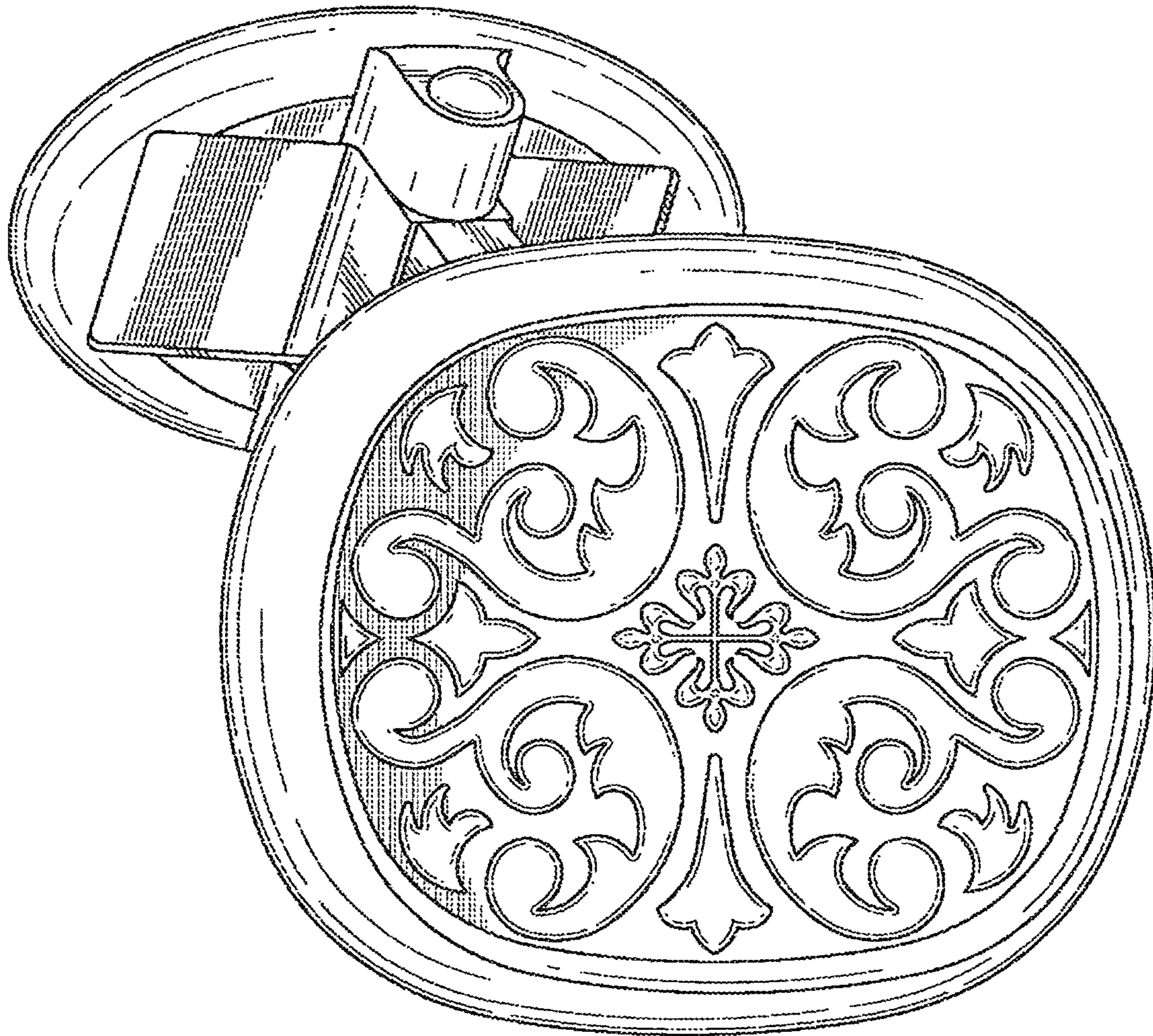
1.3



1.4



1.5



1.6