



US00D894788S

(12) **United States Design Patent**
Gates

(10) **Patent No.:** **US D894,788 S**

(45) **Date of Patent:** **** *Sep. 1, 2020**

(54) **CHAIN ZIPPER LINK**

(71) Applicant: **Eric Gates**, Long Beach, CA (US)

(72) Inventor: **Eric Gates**, Long Beach, CA (US)

(*) Notice: This patent is subject to a terminal disclaimer.

(**) Term: **15 Years**

(21) Appl. No.: **29/635,922**

(22) Filed: **Feb. 5, 2018**

Related U.S. Application Data

(63) Continuation-in-part of application No. 29/577,683, filed on Sep. 14, 2016, now Pat. No. Des. 890,426.

(51) **LOC (12) Cl.** **02-07**

(52) **U.S. Cl.**
USPC **D11/221**

(58) **Field of Classification Search**
USPC D2/639, 641, 705, 828, 853, 911, 946;
D11/86, 87, 200-201, 221, 228
CPC A44B 19/00; A44B 19/02; A44B 19/04;
A44B 19/10; A44B 19/24; A44B 19/26;
A44B 19/30
See application file for complete search history.

(56) **References Cited**

U.S. PATENT DOCUMENTS

2,563,767 A * 8/1951 Winterhalter A44B 19/04
24/411
2,660,774 A * 12/1953 Heimann A44B 19/04
24/412

D334,901 S * 4/1993 Bichi D11/12
5,224,247 A * 7/1993 Collier A44B 11/28
24/587.12
D510,891 S * 10/2005 Cheng D11/221
D528,040 S * 9/2006 Cheng D11/221
D739,785 S * 9/2015 Fildan D11/218
D781,176 S * 3/2017 Fildan D11/216
D809,426 S * 2/2018 Gates D11/221
10,334,911 B2 * 7/2019 Sixt A41F 1/00
2014/0020217 A1 * 1/2014 Kojima A44B 19/08
24/436
2018/0070684 A1 * 3/2018 Gates A44B 19/04

* cited by examiner

Primary Examiner — Kevin K Rudzinski

Assistant Examiner — Richard Kearney

(74) *Attorney, Agent, or Firm* — Fulwider Patton LLP

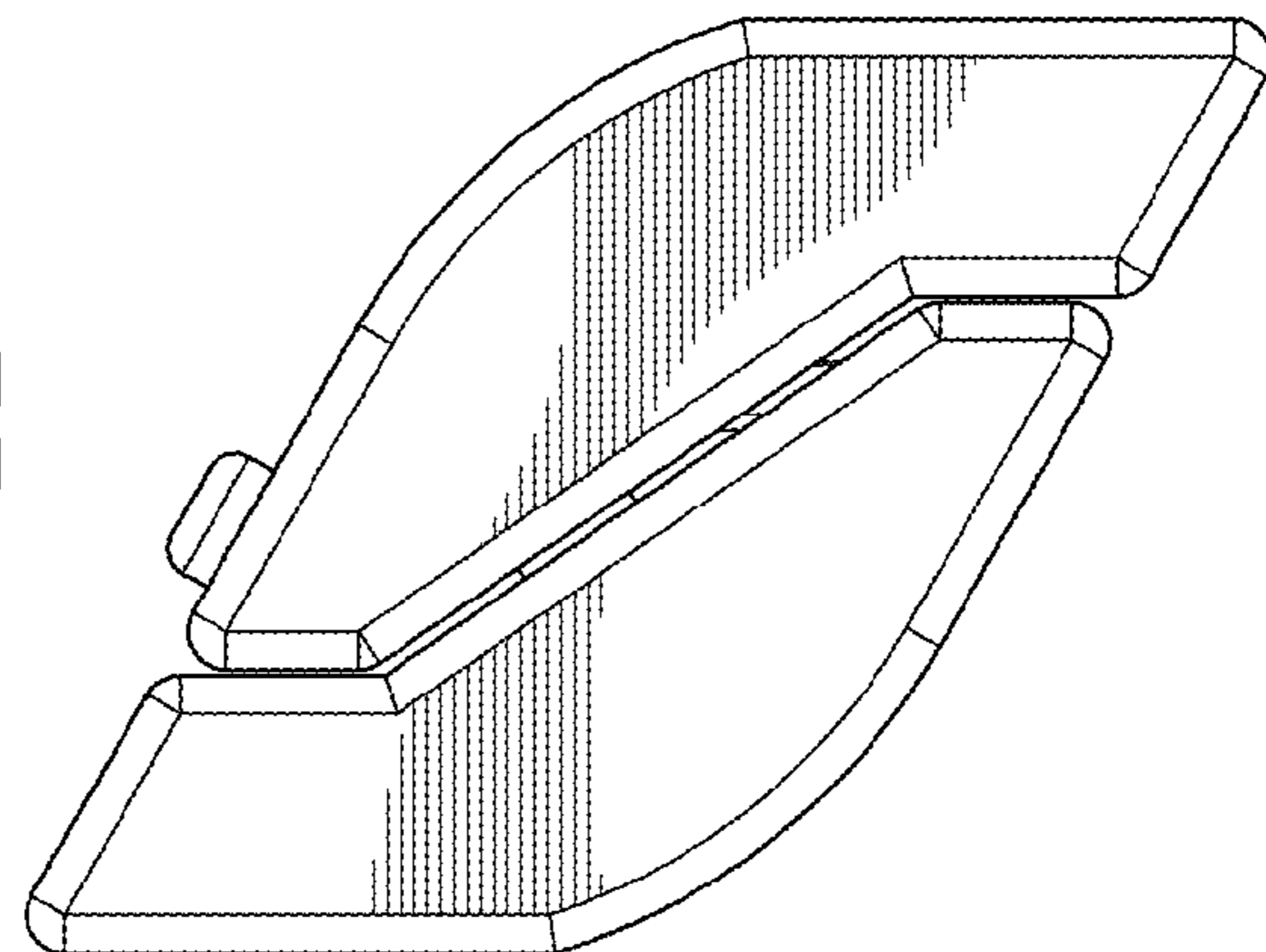
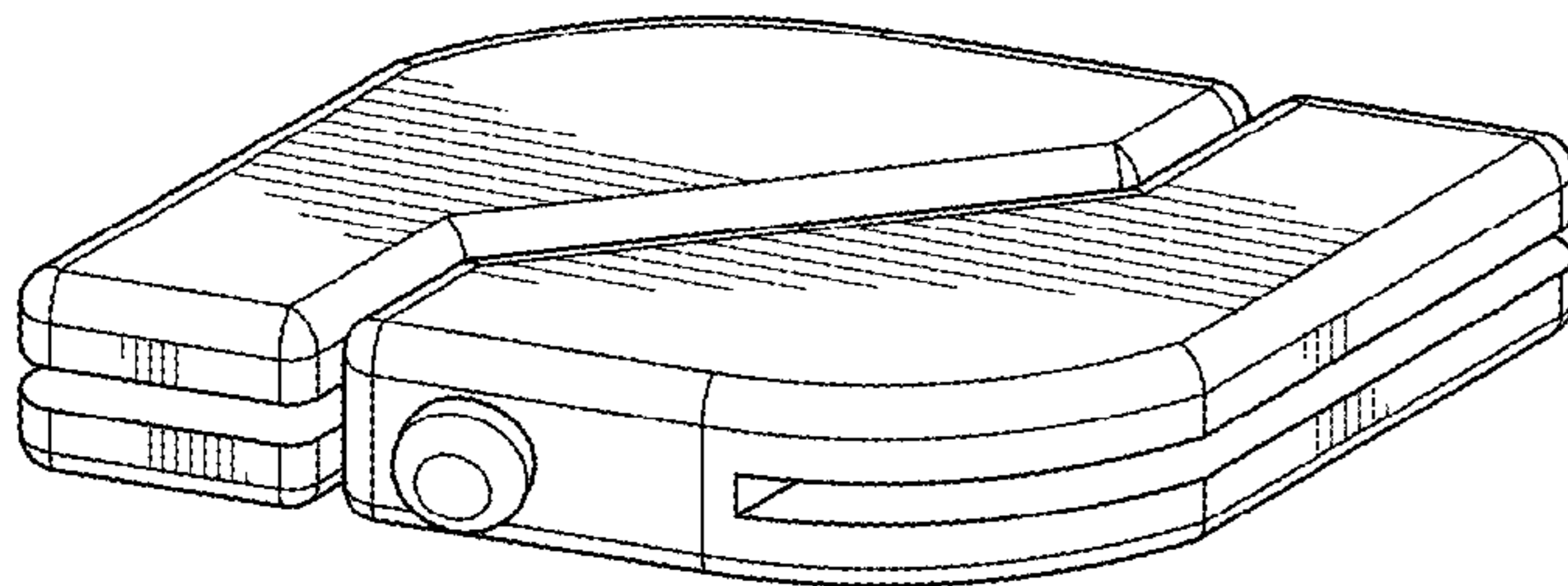
(57) **CLAIM**

The ornamental design for a chain zipper link, as shown and described.

DESCRIPTION

FIG. 1 is a top perspective view showing my design;
FIG. 2 is a bottom perspective view thereof;
FIG. 3 is a right side view thereof;
FIG. 4 is a left view thereof;
FIG. 5 is a front view thereof;
FIG. 6 is a back view thereof;
FIG. 7 is a top view thereof; and,
FIG. 8 is a bottom view thereof.

1 Claim, 3 Drawing Sheets



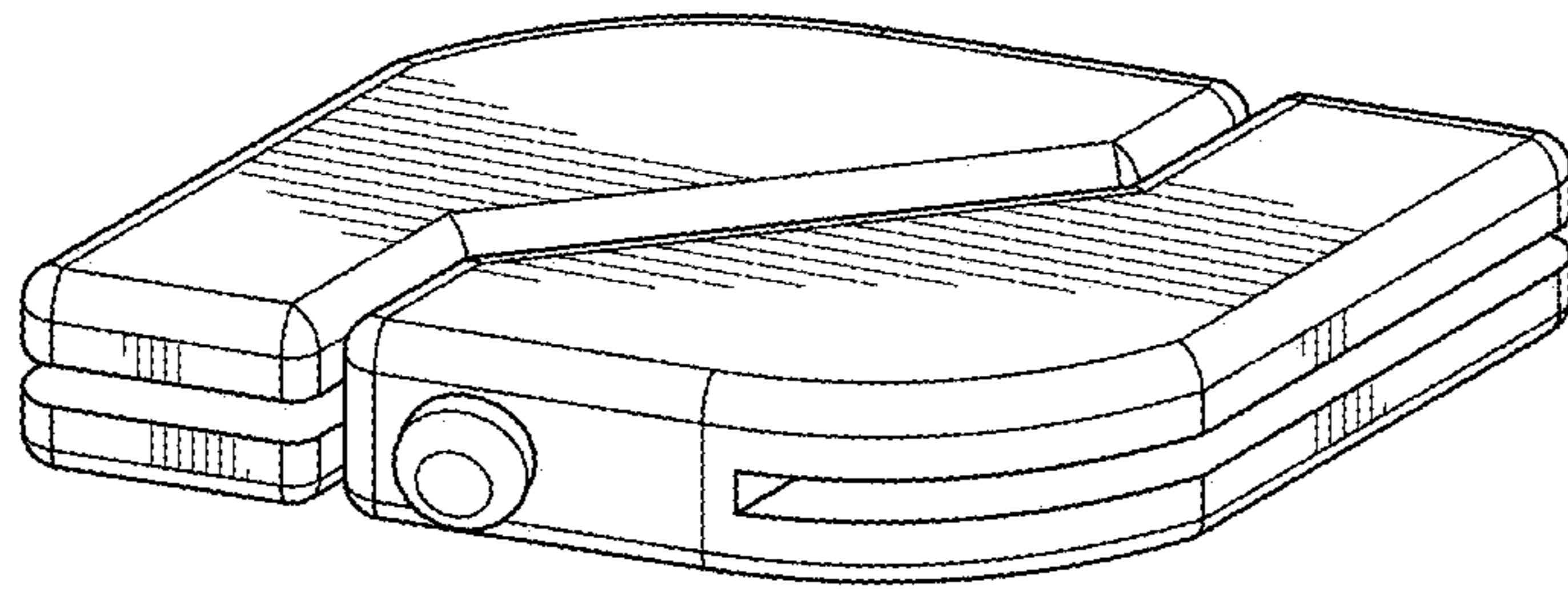


FIG. 1

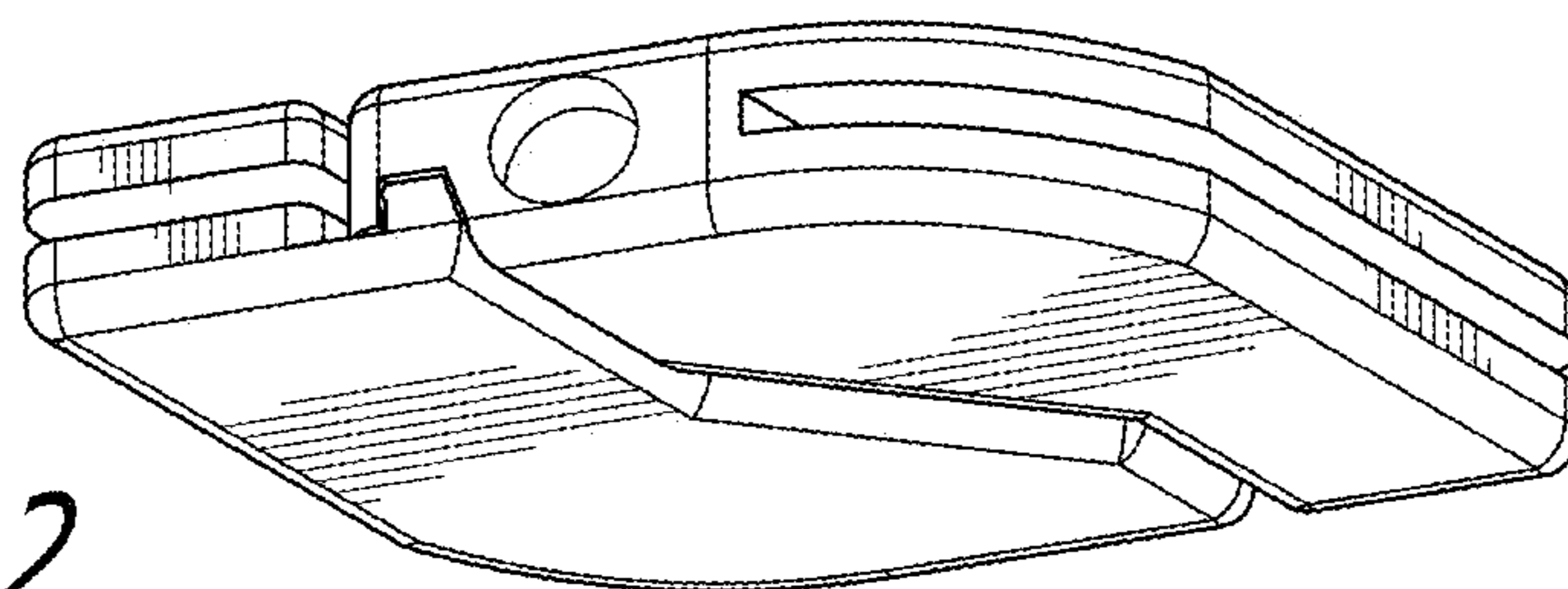


FIG. 2

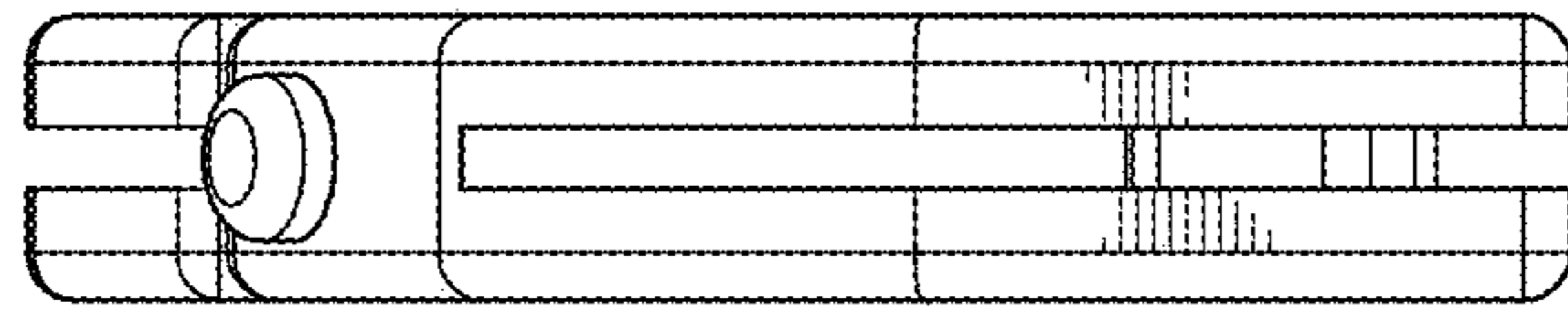


FIG. 3

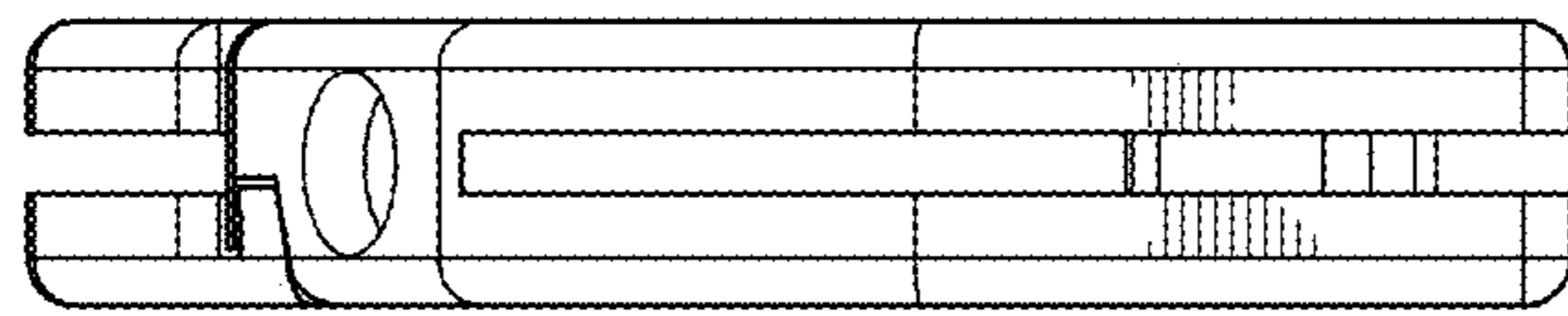


FIG. 4

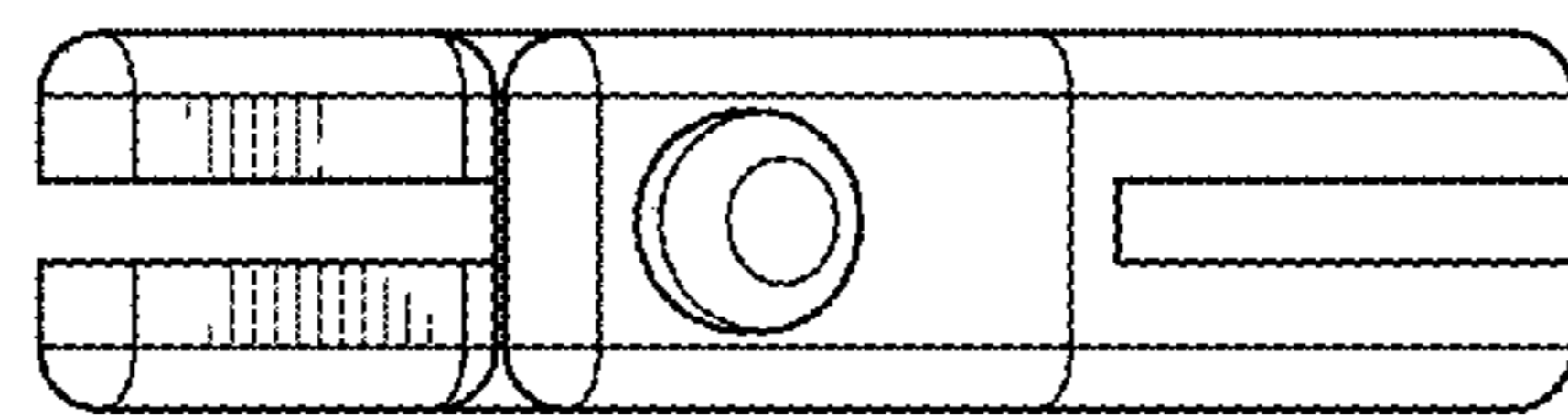


FIG. 5

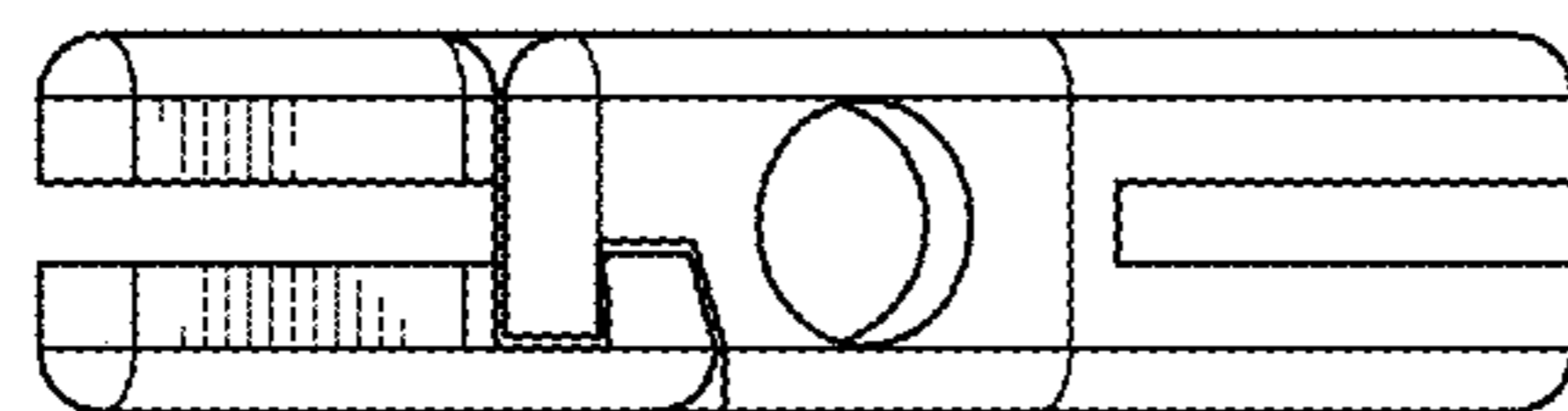


FIG. 6

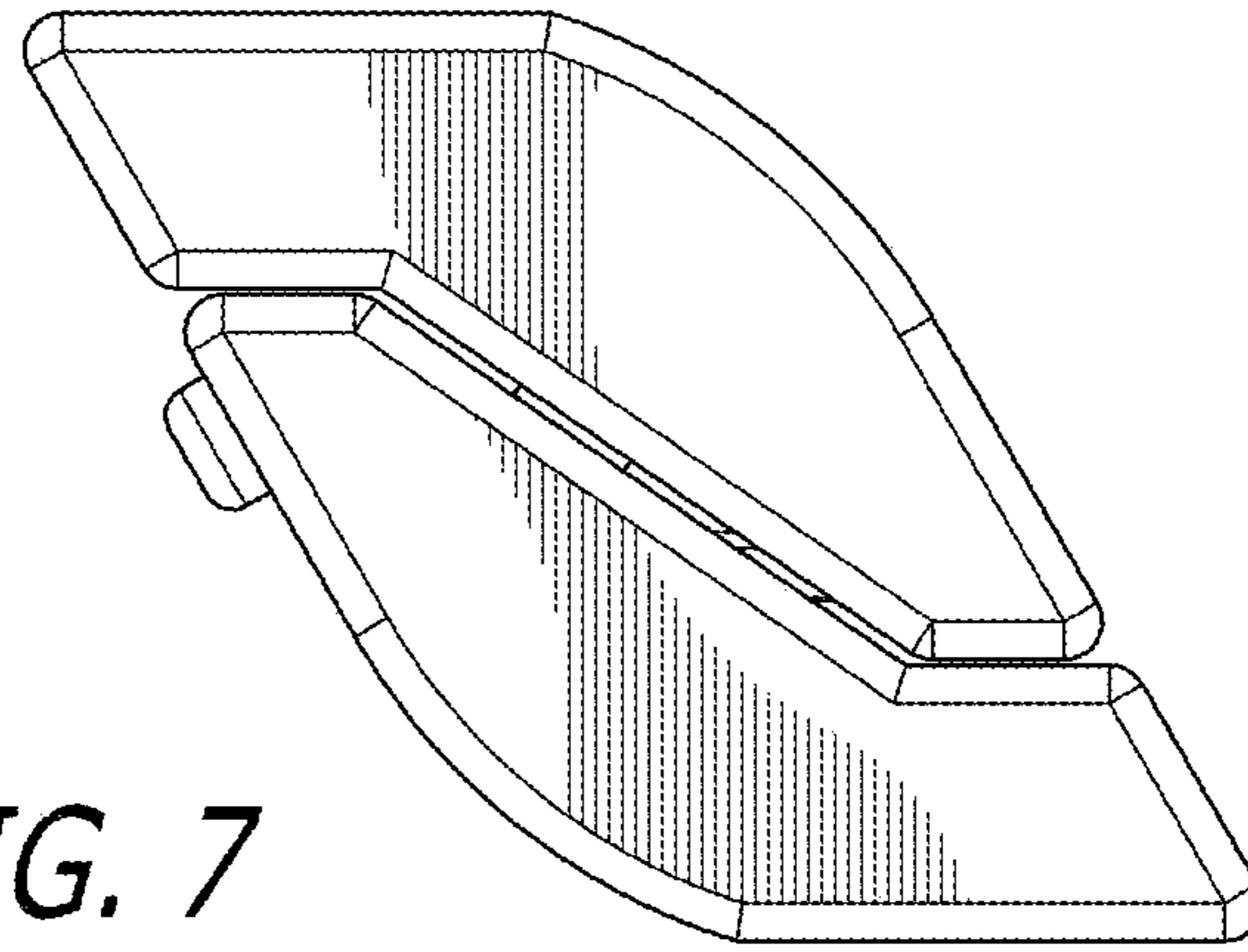


FIG. 7

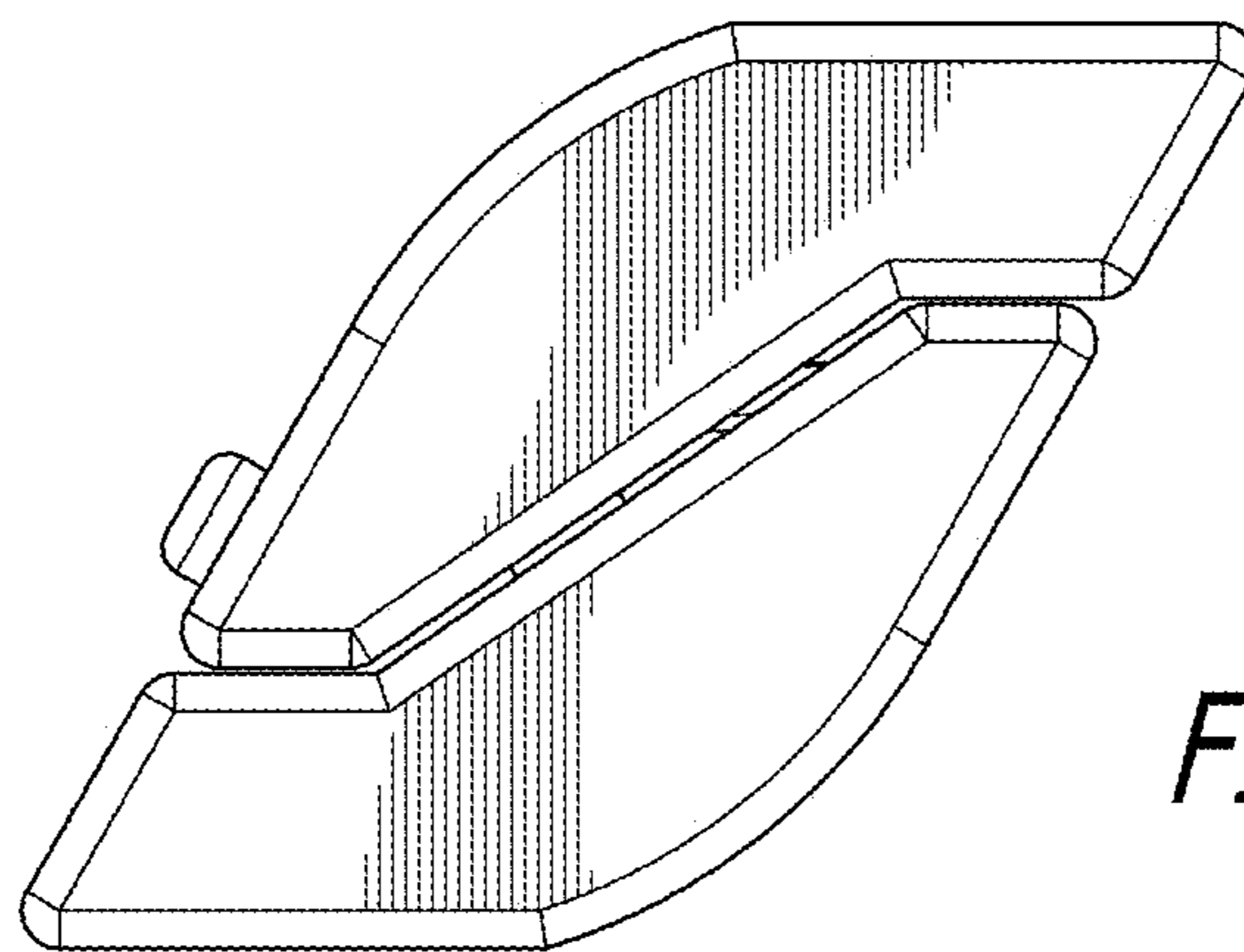


FIG. 8