



US00D894787S

(12) **United States Design Patent** (10) **Patent No.:** **US D894,787 S**
Lee (45) **Date of Patent:** **** Sep. 1, 2020**

- (54) **BUCKLE**
- (71) Applicant: **Duraflex Hong Kong Limited**, Hong Kong (CN)
- (72) Inventor: **Ray Lee**, Taipei (TW)
- (73) Assignee: **Duraflex Hong Kong Limited**, Hong Kong (CN)
- (**) Term: **15 Years**
- (21) Appl. No.: **29/689,339**
- (22) Filed: **Apr. 29, 2019**
- (51) **LOC (12) Cl.** **02-07**
- (52) **U.S. Cl.**
USPC **D11/216**
- (58) **Field of Classification Search**
USPC D21/804; D8/44, 349, 356;
D11/200-241; D16/311; D2/627-640
CPC ... A63B 33/00; A63B 33/002; A44B 17/0088;
A44B 13/0017
See application file for complete search history.

(56) **References Cited**

U.S. PATENT DOCUMENTS

D289,622 S *	5/1987	Crowle	D11/216
D340,886 S *	11/1993	Anscher	D11/200
D349,664 S *	8/1994	Ueno	D11/216
D387,307 S *	12/1997	Matoba	D11/218
D456,743 S *	5/2002	Uehara	D11/218
D469,382 S *	1/2003	Schmitz	D11/200
D470,657 S *	2/2003	Kawamura	D11/216
D702,593 S *	4/2014	Koreishi	D11/216

D856,189 S *	8/2019	Krezel	D11/218
2004/0073989 A1 *	4/2004	Horn	A61M 16/0683 2/452
2005/0076483 A1 *	4/2005	Chen	A44B 11/266 24/615

OTHER PUBLICATIONS

LB-RT _ YKK, no date available, [online], [site visited Jul. 17, 2020]. Retrieved from url:https://www.ykkfastening.com/products/search/detail.html?pdid1=LB-RT (Year: 2020).*

Duraflex GF Single Adjust, no date available, [online], [site visited Jul. 17, 2020]. Retrieved from url:http://www.duraflexgroup.com/products/PROF00001528?family=true (Year: 2020).*

* cited by examiner

Primary Examiner — Michelle E. Wilson
Assistant Examiner — Tracey J Bell
 (74) *Attorney, Agent, or Firm* — Collard & Roe, P.C.

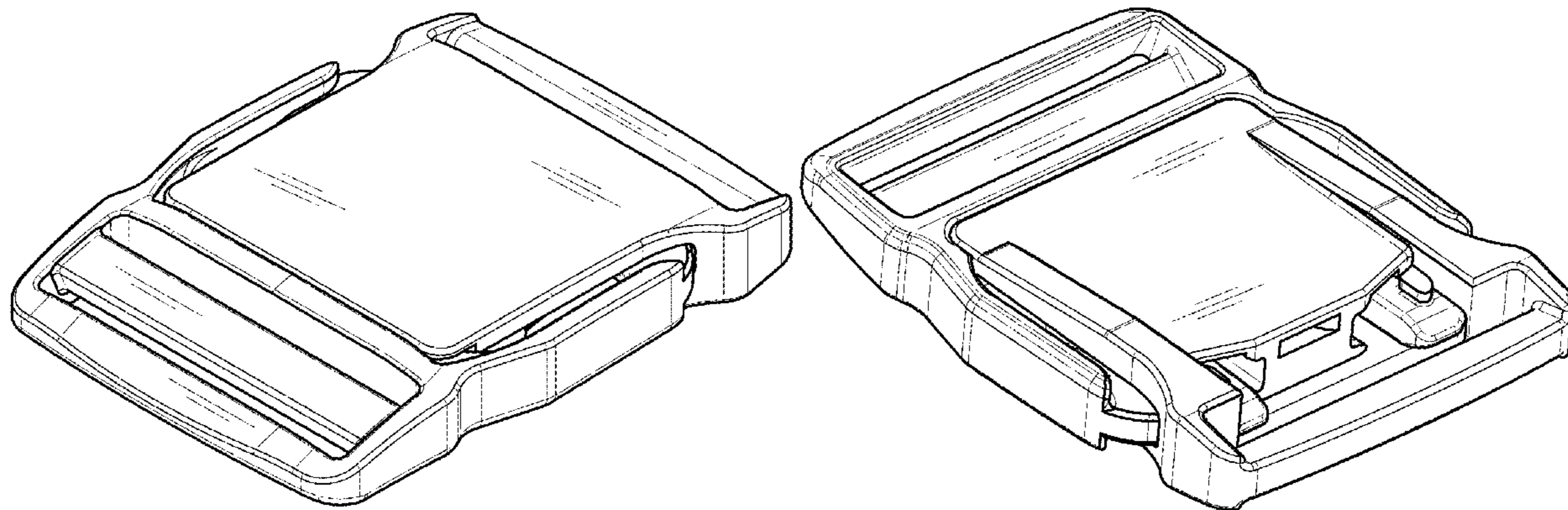
(57) **CLAIM**

The ornamental design for a buckle, as shown and described.

DESCRIPTION

FIG. 1 is a front, left side and top perspective view of a buckle, showing my new design;
 FIG. 2 is a rear, right side and bottom perspective view thereof;
 FIG. 3 is a front view thereof;
 FIG. 4 is a rear view thereof;
 FIG. 5 is a bottom view thereof;
 FIG. 6 is a right side view thereof;
 FIG. 7 is a top view thereof; and,
 FIG. 8 is a left side view thereof.

1 Claim, 3 Drawing Sheets



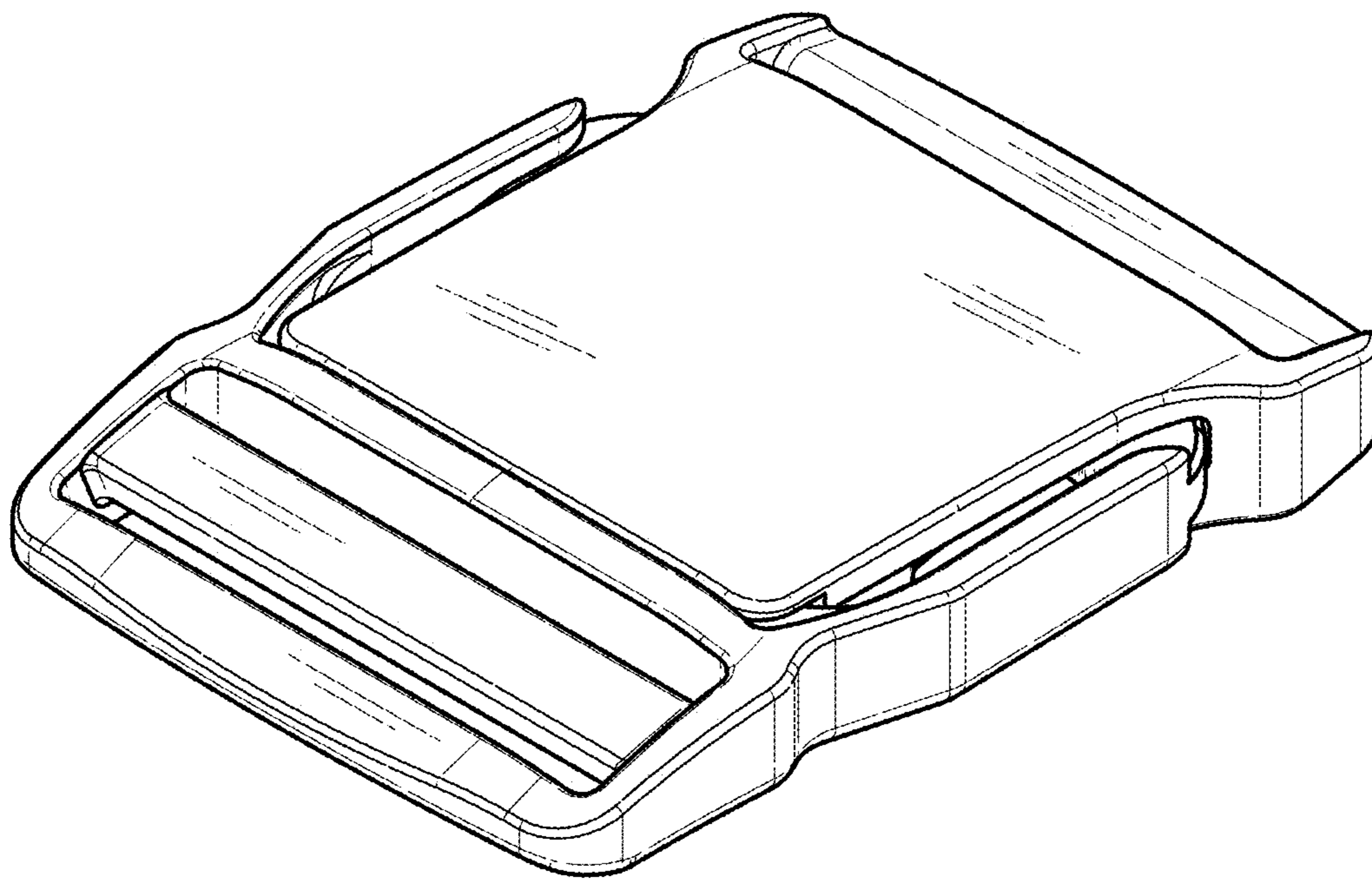


FIG. 1

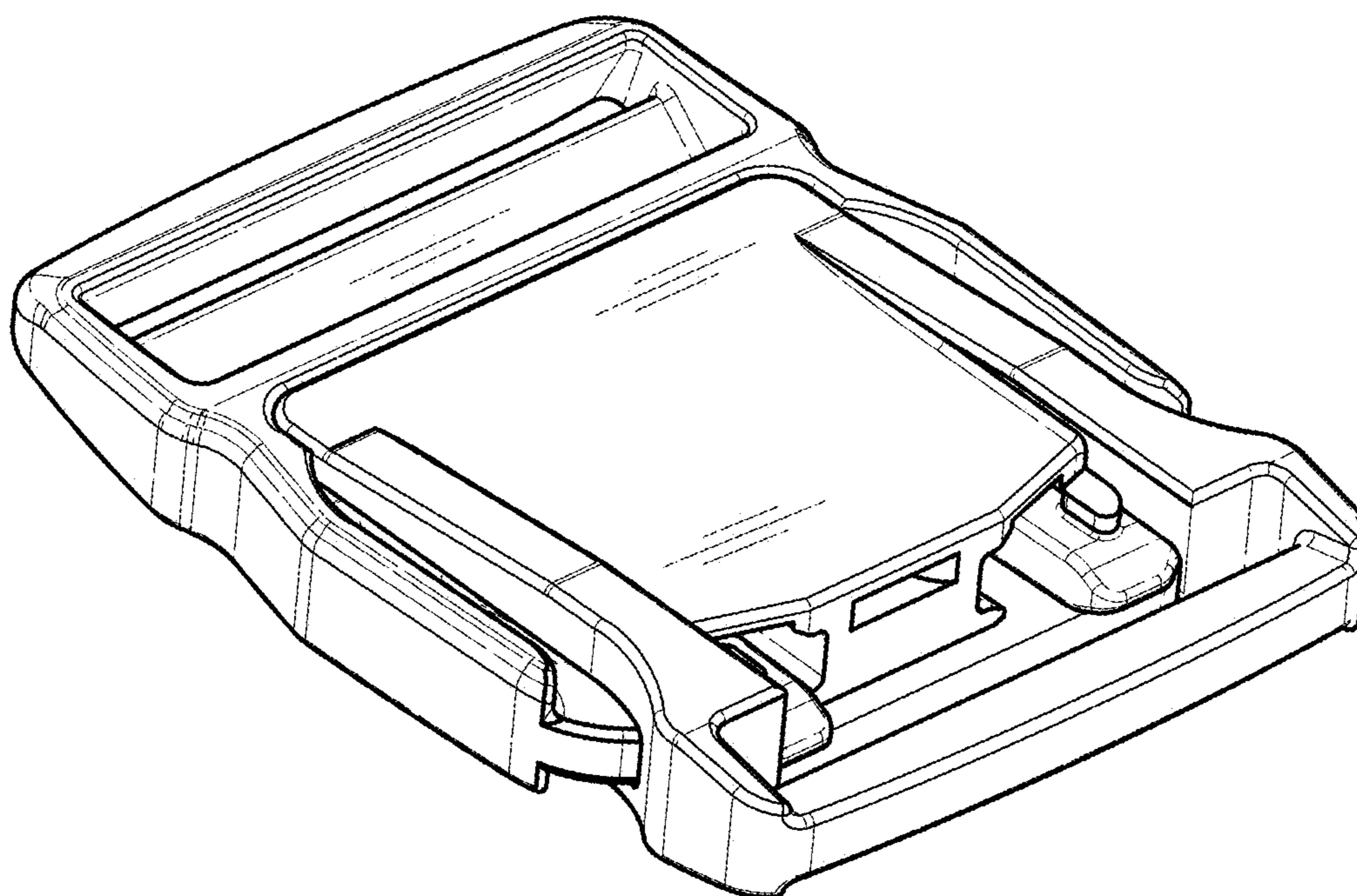


FIG. 2

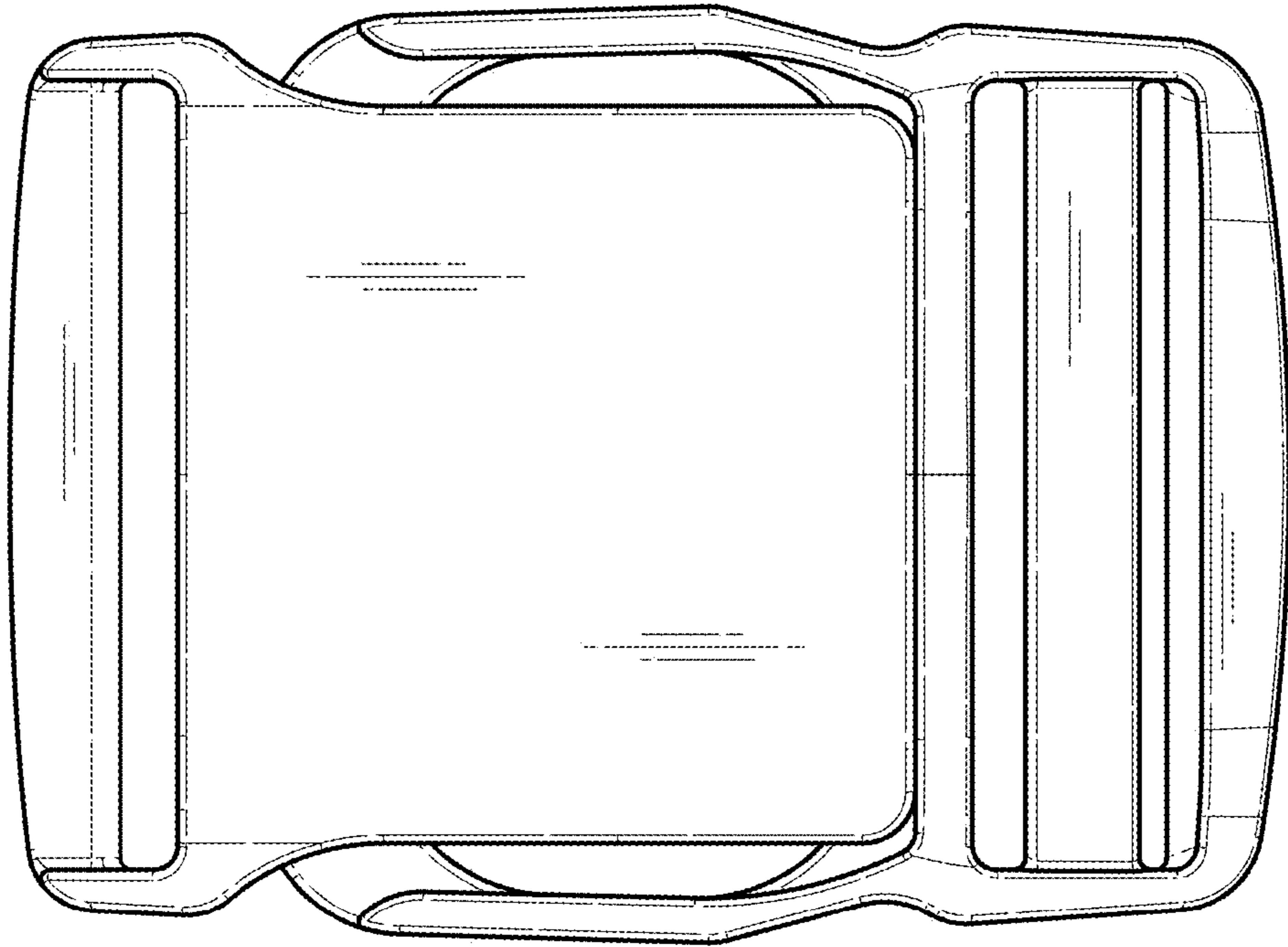


FIG. 3

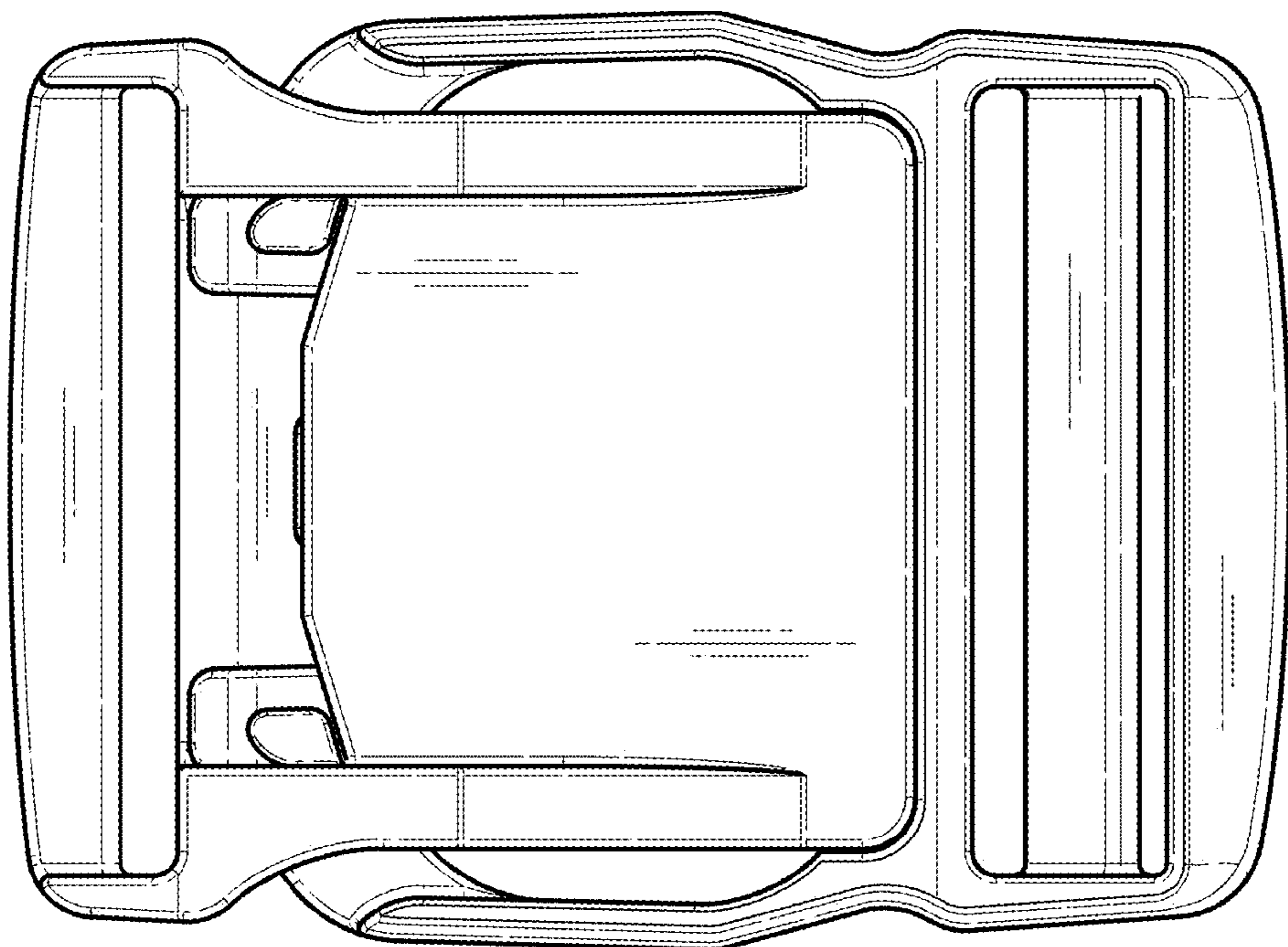


FIG. 4

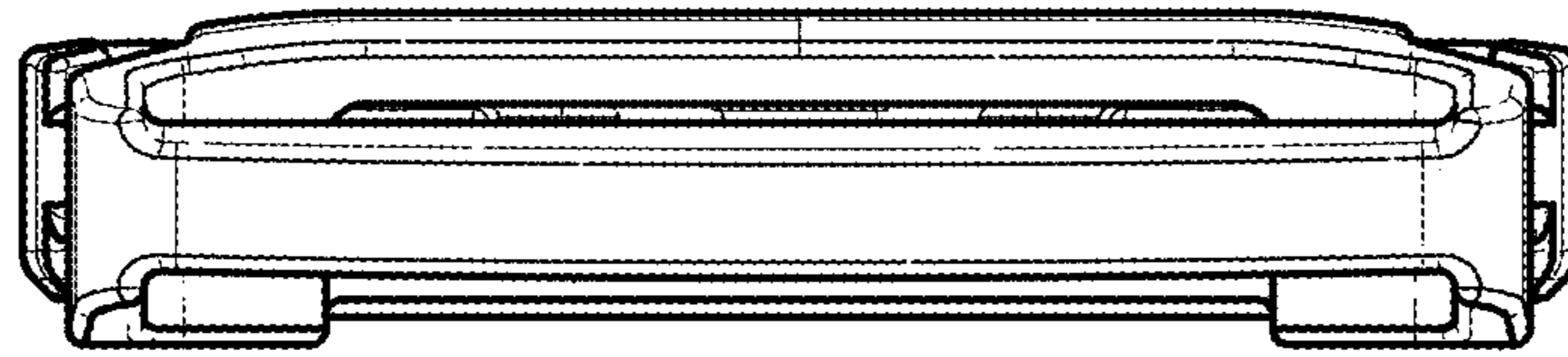


FIG. 5

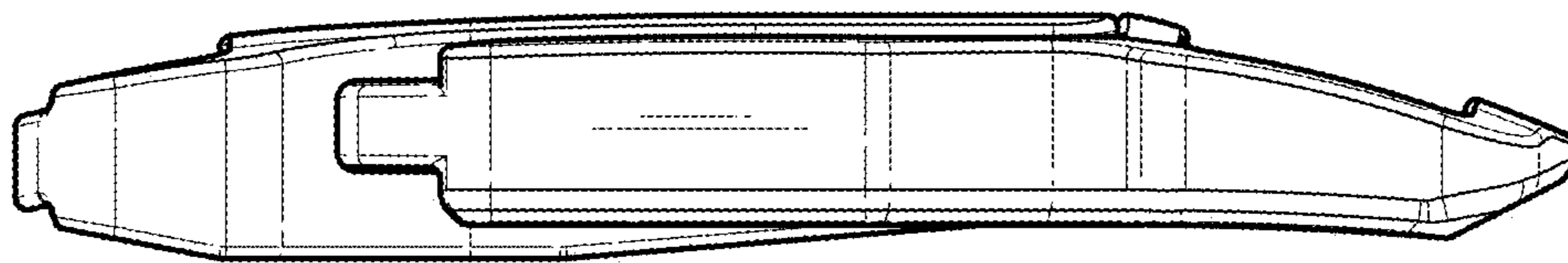


FIG. 6

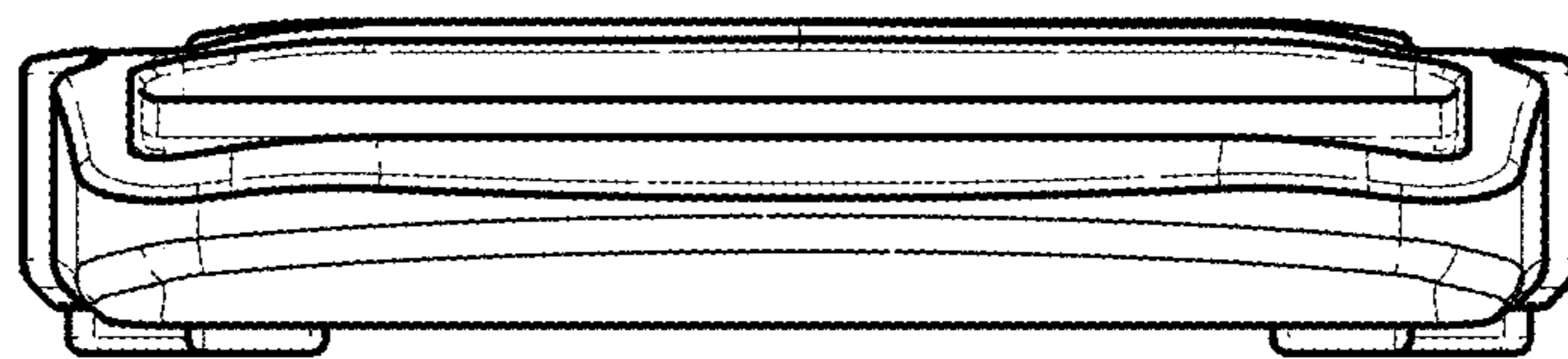


FIG. 7

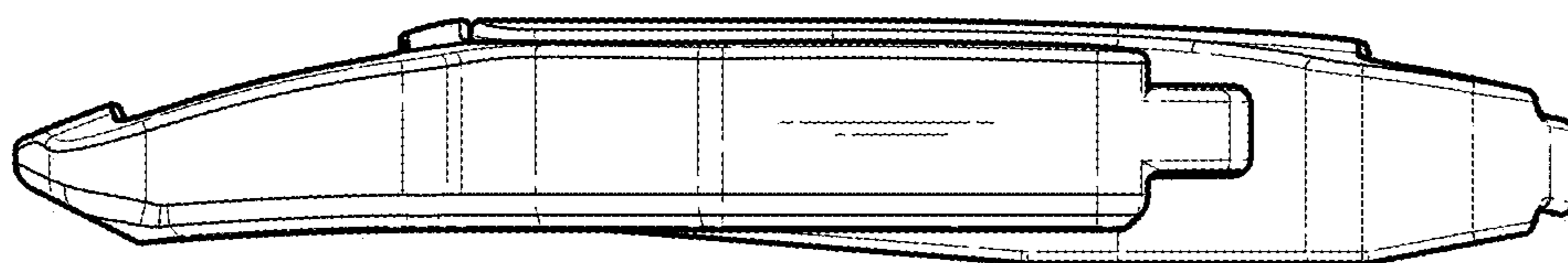


FIG. 8