



US00D894786S

(12) **United States Design Patent** (10) **Patent No.:** **US D894,786 S**
Lee (45) **Date of Patent:** **** Sep. 1, 2020**

- (54) **BUCKLE**
- (71) Applicant: **Duraflex Hong Kong Limited**, Hong Kong (CN)
- (72) Inventor: **Ray Lee**, Taipei (TW)
- (73) Assignee: **Duraflex Hong Kong Limited**, Hong Kong (CN)
- (**) Term: **15 Years**
- (21) Appl. No.: **29/689,337**
- (22) Filed: **Apr. 29, 2019**
- (51) **LOC (12) Cl.** **02-07**
- (52) **U.S. Cl.**
USPC **D11/216**
- (58) **Field of Classification Search**
USPC D21/804; D8/44, 349, 356;
D11/200-241; D16/311; D2/627-640;
D10/32; D3/216
CPC A63B 33/00; A63B 33/002; A44B 17/008;
A44B 13/0017
See application file for complete search history.

(56) **References Cited**

U.S. PATENT DOCUMENTS

D287,067 S	*	12/1986	Kasai	D11/218
D320,178 S	*	9/1991	Kasai	D11/200
D387,014 S	*	12/1997	Matoba	D11/200
D387,307 S	*	12/1997	Matoba	D11/218
D628,514 S	*	12/2010	Paik	D11/216
D649,087 S	*	11/2011	Harada	D11/218

D729,118 S	*	5/2015	Johnson	D11/200
D740,168 S	*	10/2015	Fildan	D11/218
D811,934 S	*	3/2018	Martinet	D11/218
2017/0164672 A1	*	6/2017	Fildan	A44B 11/2588

OTHER PUBLICATIONS

Duraflex No Adjust Simplx, no date available, [online], [site visited Jul. 17, 2020]. Retrieved from url:http://www.duraflexgroup.com/products/PROF00001524?family=true (Year: 2020).*

* cited by examiner

Primary Examiner — Michelle E. Wilson

Assistant Examiner — Tracey J Bell

(74) *Attorney, Agent, or Firm* — Collard & Roe, P.C.

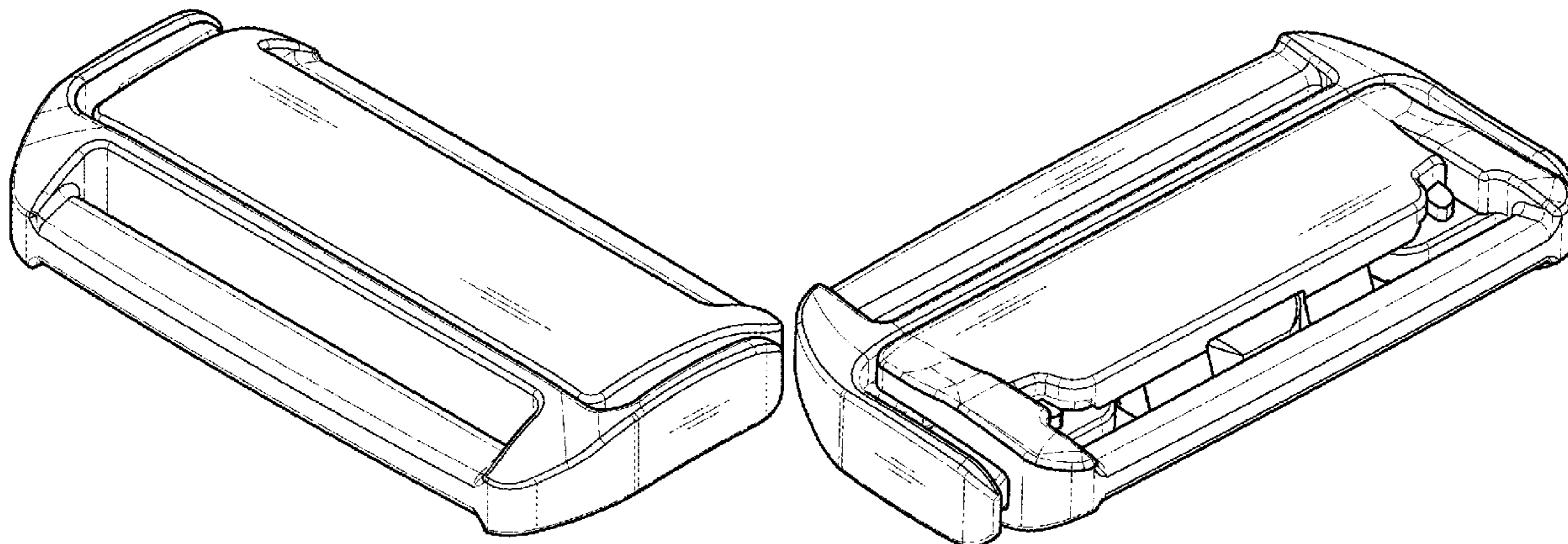
(57) **CLAIM**

The ornamental design for a buckle, as shown and described.

DESCRIPTION

FIG. 1 is a front, right side and bottom perspective view of a buckle, showing my new design;
FIG. 2 is a rear, left side and top perspective view thereof;
FIG. 3 is a front view thereof;
FIG. 4 is a rear view thereof;
FIG. 5 is a top view thereof;
FIG. 6 is a right side view thereof;
FIG. 7 is a left side view thereof; and,
FIG. 8 is a bottom view thereof.

1 Claim, 3 Drawing Sheets



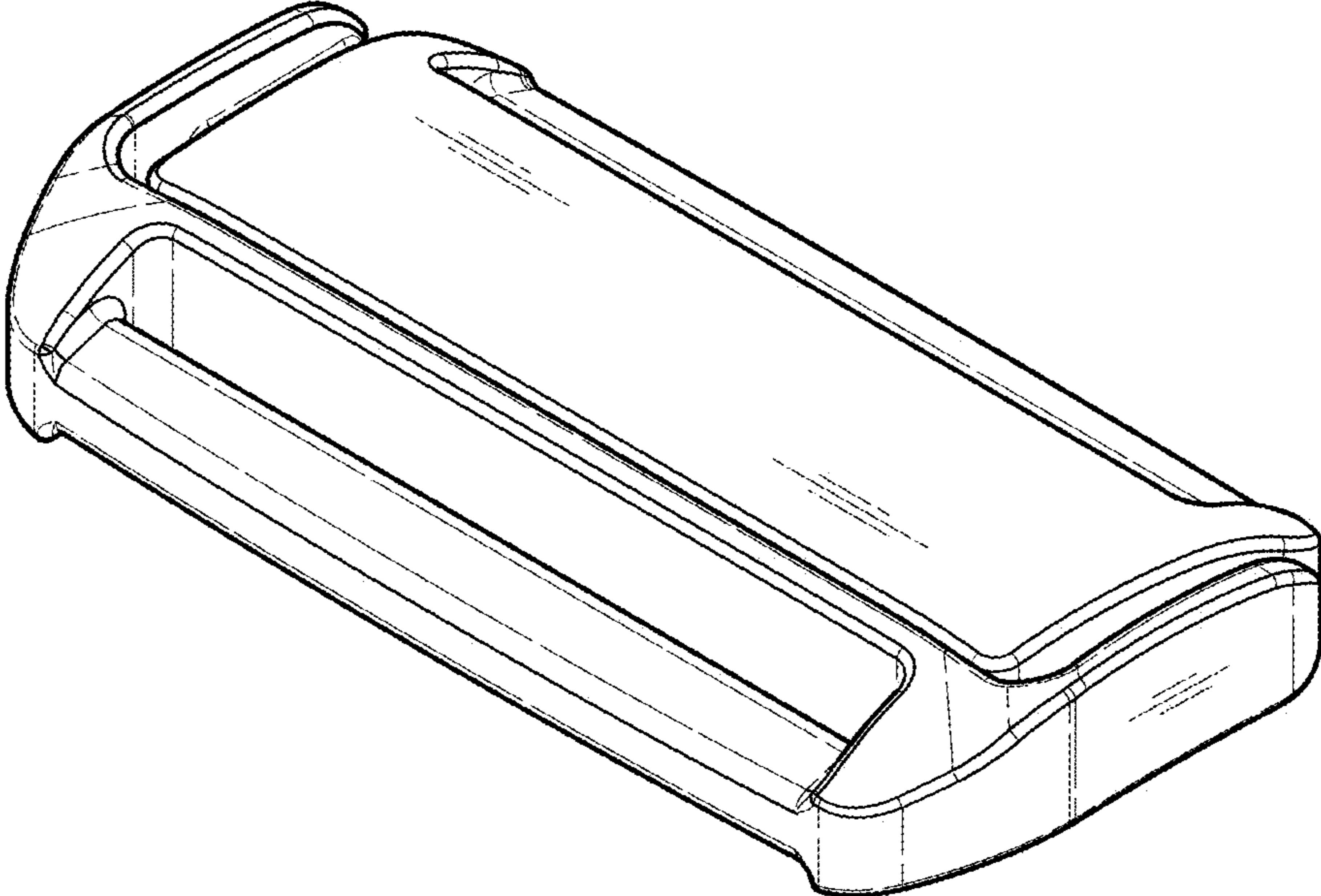


FIG. 1

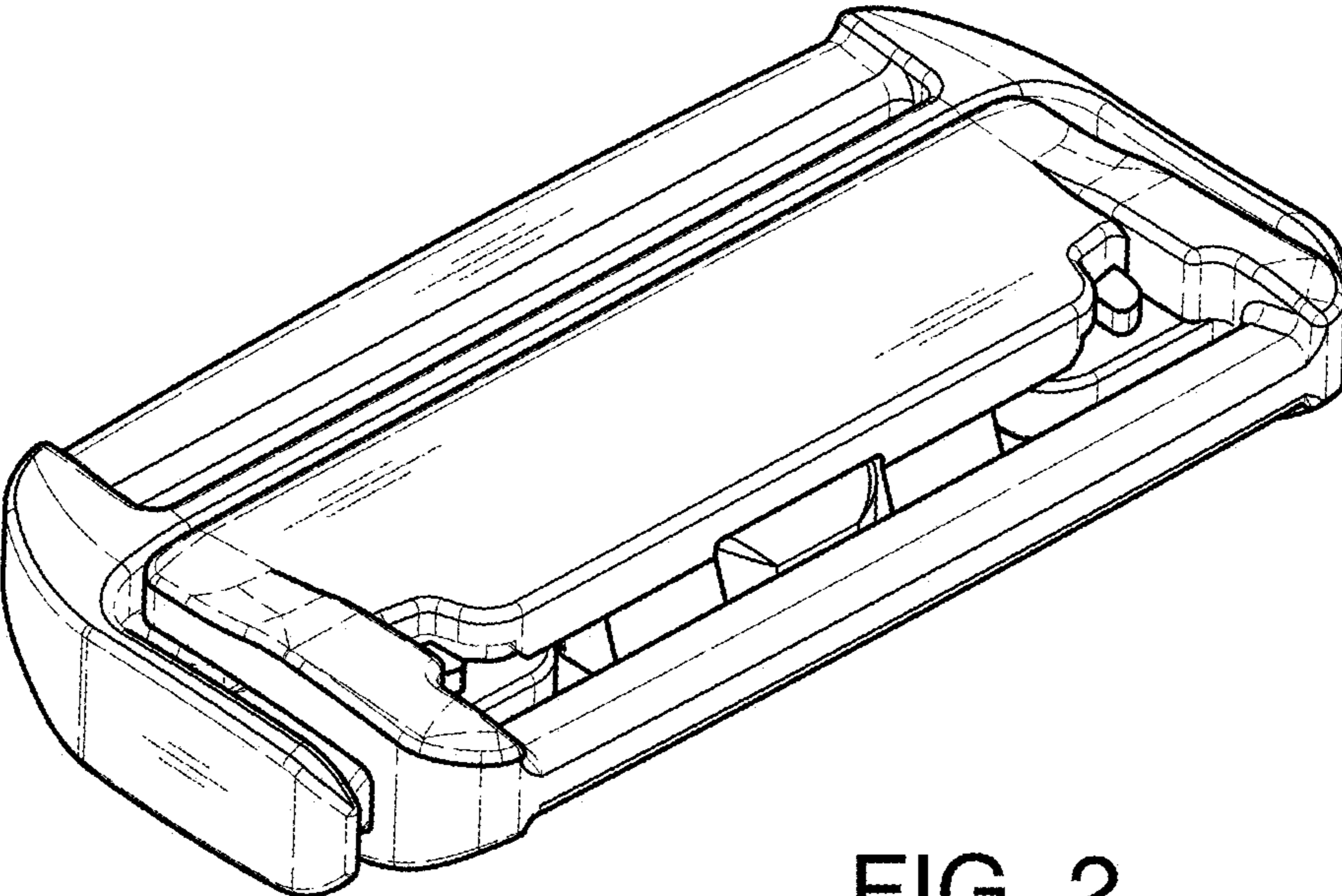


FIG. 2

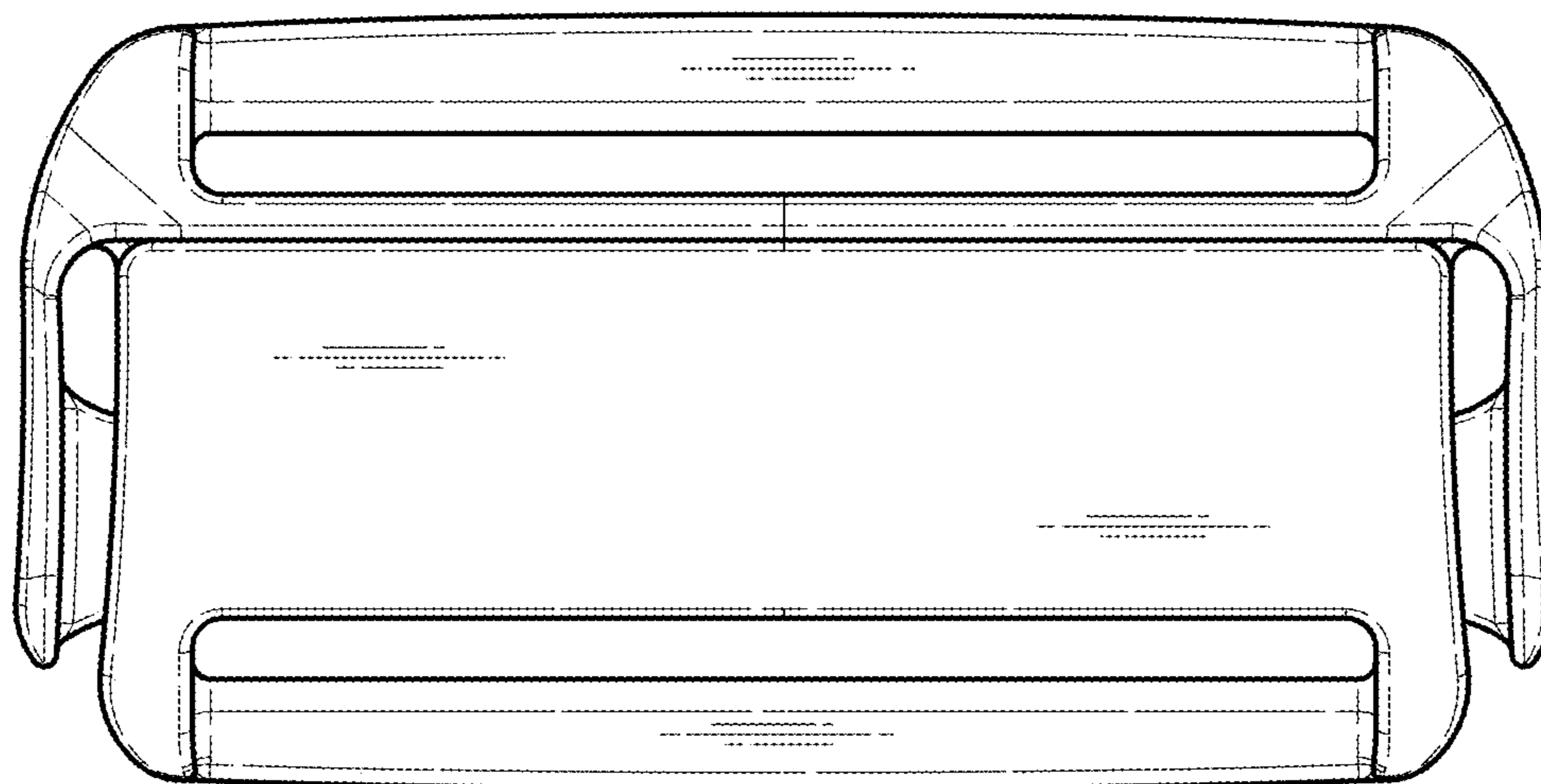


FIG. 3

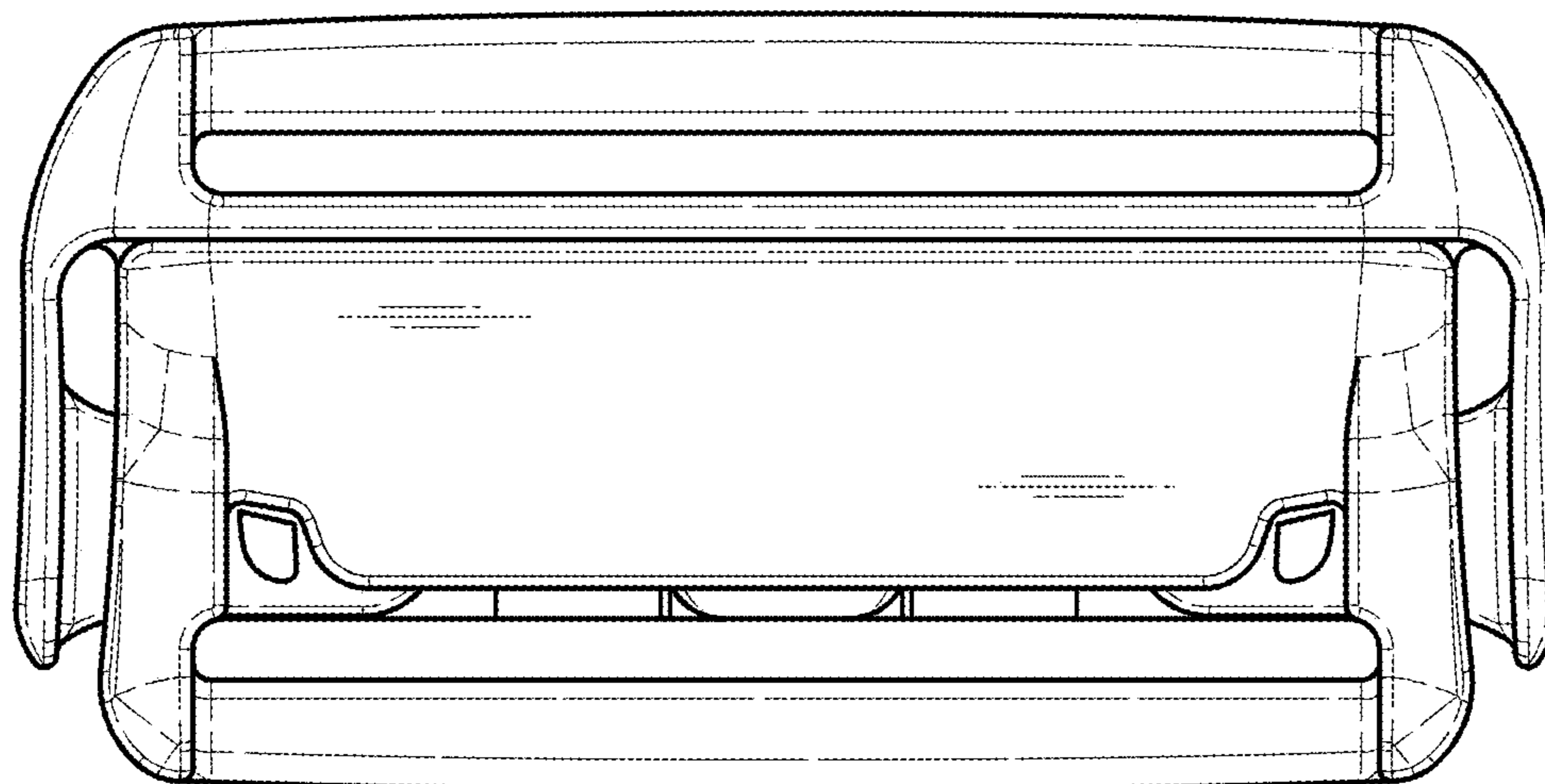


FIG. 4

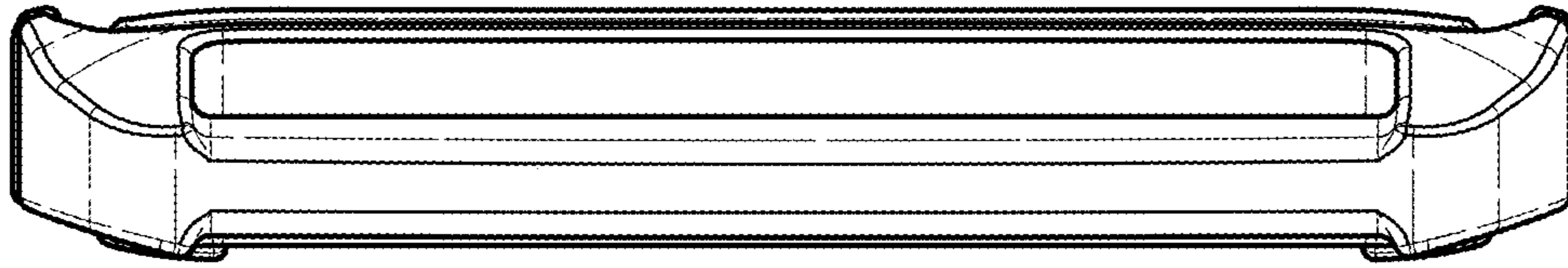


FIG. 5

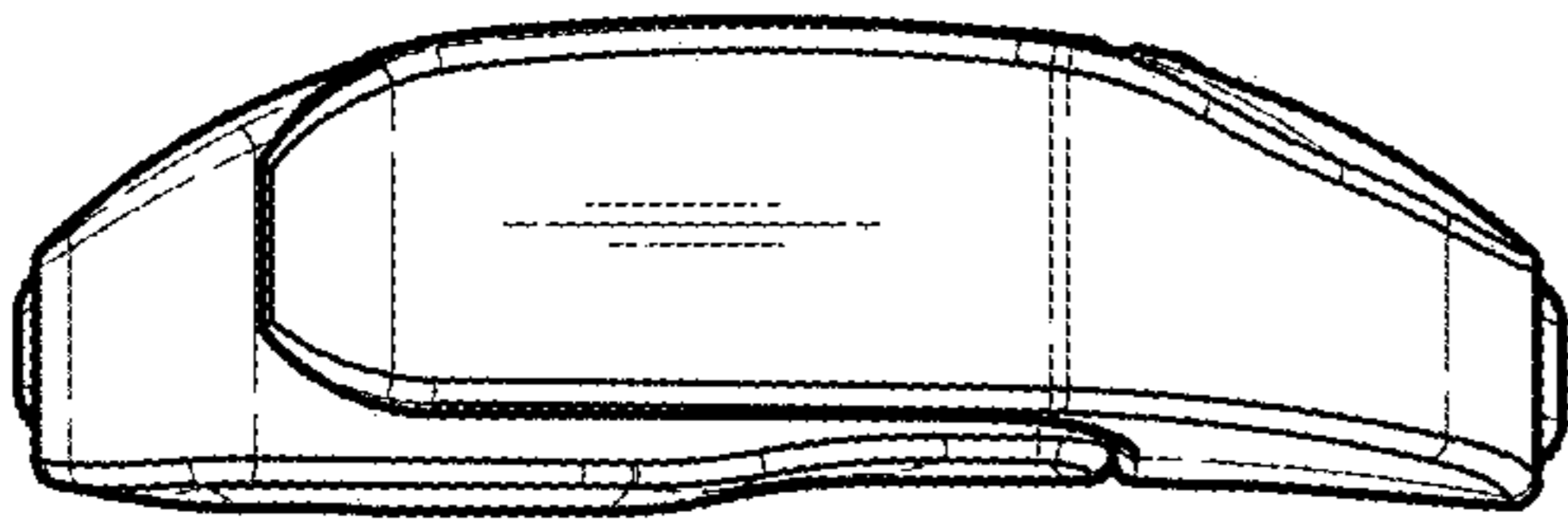


FIG. 6

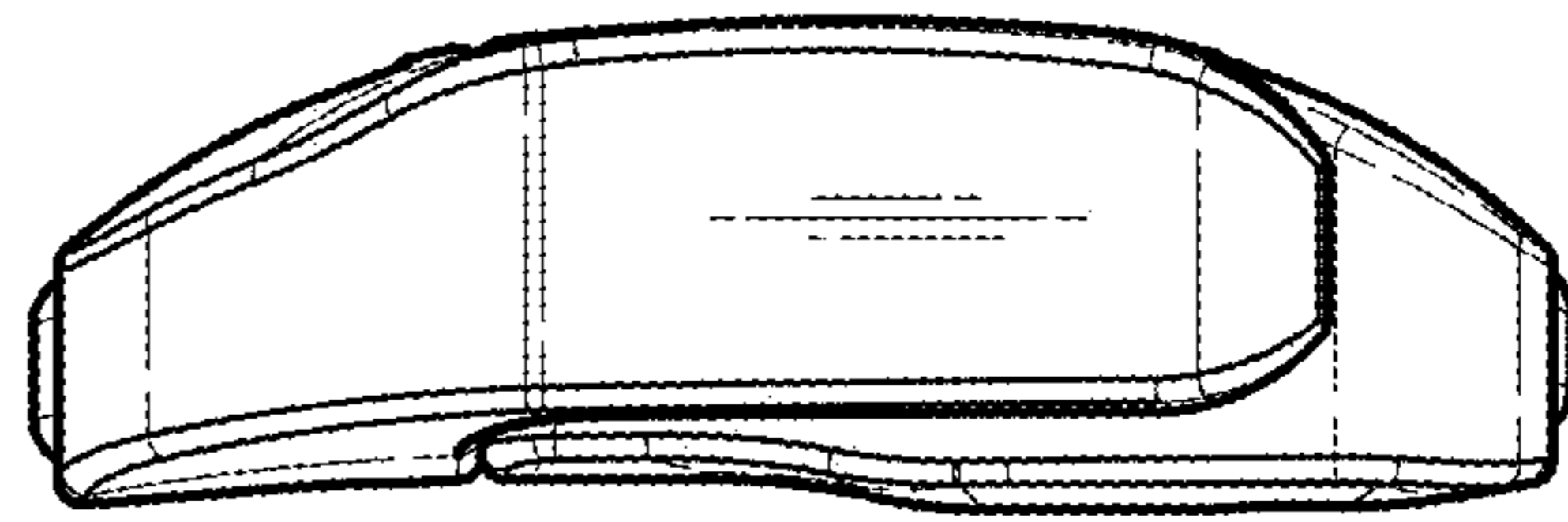


FIG. 7

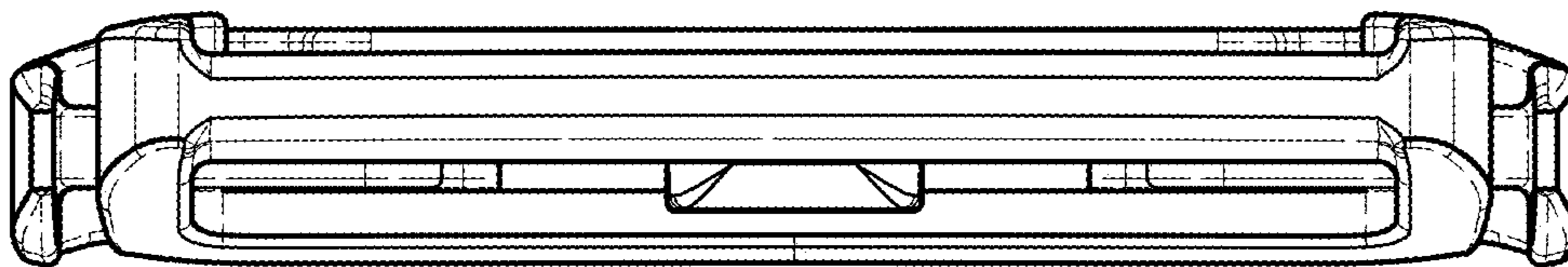


FIG. 8