

US00D894785S

(12) **United States Design Patent**  
**Steinberg**

(10) **Patent No.:** **US D894,785 S**

(45) **Date of Patent:** **\*\* Sep. 1, 2020**

(54) **PLANTER SET**

(71) Applicant: **Andrea Steinberg**, Maple Glen, PA  
(US)

(72) Inventor: **Andrea Steinberg**, Maple Glen, PA  
(US)

(\*\*) Term: **15 Years**

(21) Appl. No.: **29/659,730**

(22) Filed: **Aug. 10, 2018**

(51) **LOC (12) Cl.** ..... **11-02**

(52) **U.S. Cl.**  
USPC ..... **D11/143**

(58) **Field of Classification Search**

USPC ..... D11/143-156, 164; D3/304, 307, 315;  
D6/691.6, 692.4, 403-405, 556-558;  
D7/509, 554.3; D34/5  
CPC . A47G 7/02; A47G 7/04; A47G 7/041; A47G  
7/042; A47G 7/044; A47G 7/045; A47G  
7/047; A47G 7/06; A47G 7/063; A47G  
7/08; A47G 2007/048; A01G 2009/003;  
A01G 9/02; A01G 9/021; A01G 9/022;  
A01G 9/026; A01G 9/028; A01G 9/029;  
A01G 9/0293; A01G 9/0299; A01G  
9/033; A01G 9/04; A01G 9/045; A01G  
9/047

See application file for complete search history.

(56) **References Cited**

**U.S. PATENT DOCUMENTS**

798,264 A \* 8/1905 Carrier ..... B65D 5/029  
229/107  
D211,883 S \* 8/1968 McCrea ..... D11/143  
3,904,218 A \* 9/1975 Kostic ..... B60B 33/00  
280/79.2  
D246,771 S \* 12/1977 Daniels ..... D11/143  
D257,108 S \* 9/1980 Daenen ..... D7/587

D268,337 S \* 3/1983 Tenzer ..... D11/143  
D270,980 S \* 10/1983 Haigh ..... D3/297  
D284,058 S \* 6/1986 Kahn ..... D7/587  
D297,719 S \* 9/1988 Blaicher ..... D11/143  
5,098,013 A \* 3/1992 France ..... B65D 5/2028  
206/551  
5,101,997 A \* 4/1992 Bagwell ..... B65F 1/0066  
220/23.4  
D365,300 S \* 12/1995 Bransky ..... D11/143  
D365,682 S \* 1/1996 Calmeise ..... D3/319  
D419,364 S \* 1/2000 Jarvis ..... 206/551  
D434,946 S \* 12/2000 Jarvis ..... D7/354  
D481,971 S 11/2003 Hartelius et al.  
D485,372 S 1/2004 Hartelius et al.  
D499,610 S \* 12/2004 Laib ..... D7/550.1  
6,964,130 B1 11/2005 Hartelius  
D522,316 S \* 6/2006 Kilders ..... D7/500  
D525,166 S \* 7/2006 Cordeiro ..... D11/143  
D537,679 S \* 3/2007 Majka ..... D7/550.1  
D573,917 S 7/2008 Bigoski

(Continued)

*Primary Examiner* — Elizabeth A. Albert

(74) *Attorney, Agent, or Firm* — Paul & Paul

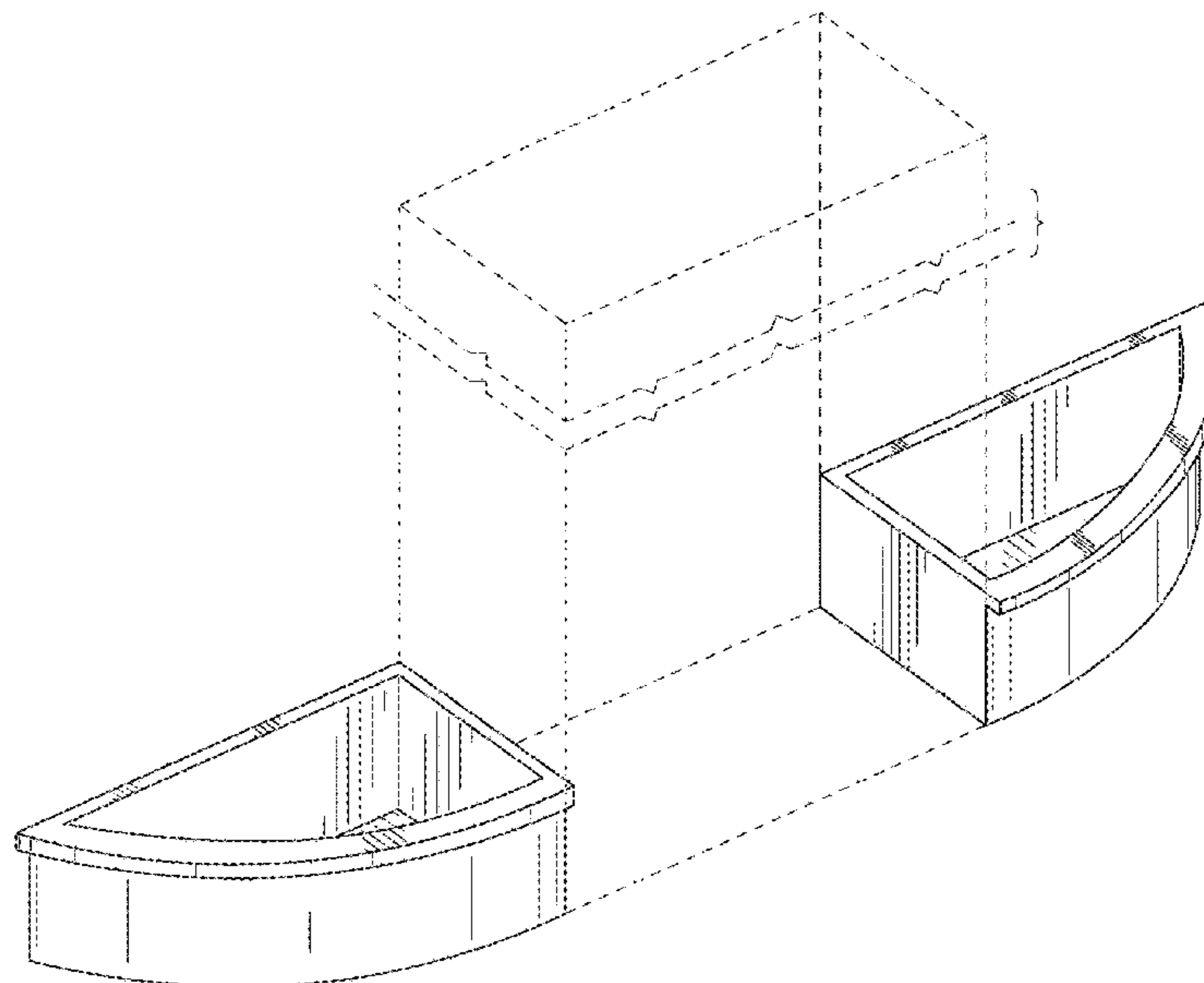
(57) **CLAIM**

An ornamental design for a planter set, as shown and described.

**DESCRIPTION**

FIG. 1 is a perspective view of a planter set embodying the new design, each planter being the mirror image of the other; FIG. 2 is top plan view thereof; FIG. 3 is a front elevational view thereof; FIG. 4 is a left elevational view thereof; FIG. 5 is a right elevational view thereof; FIG. 6 is a bottom plan view thereof; and, FIG. 7 is a rear elevational view thereof. The broken lines are included for the purpose of illustrating portions of the planter set and form no part of the claimed design.

**1 Claim, 4 Drawing Sheets**



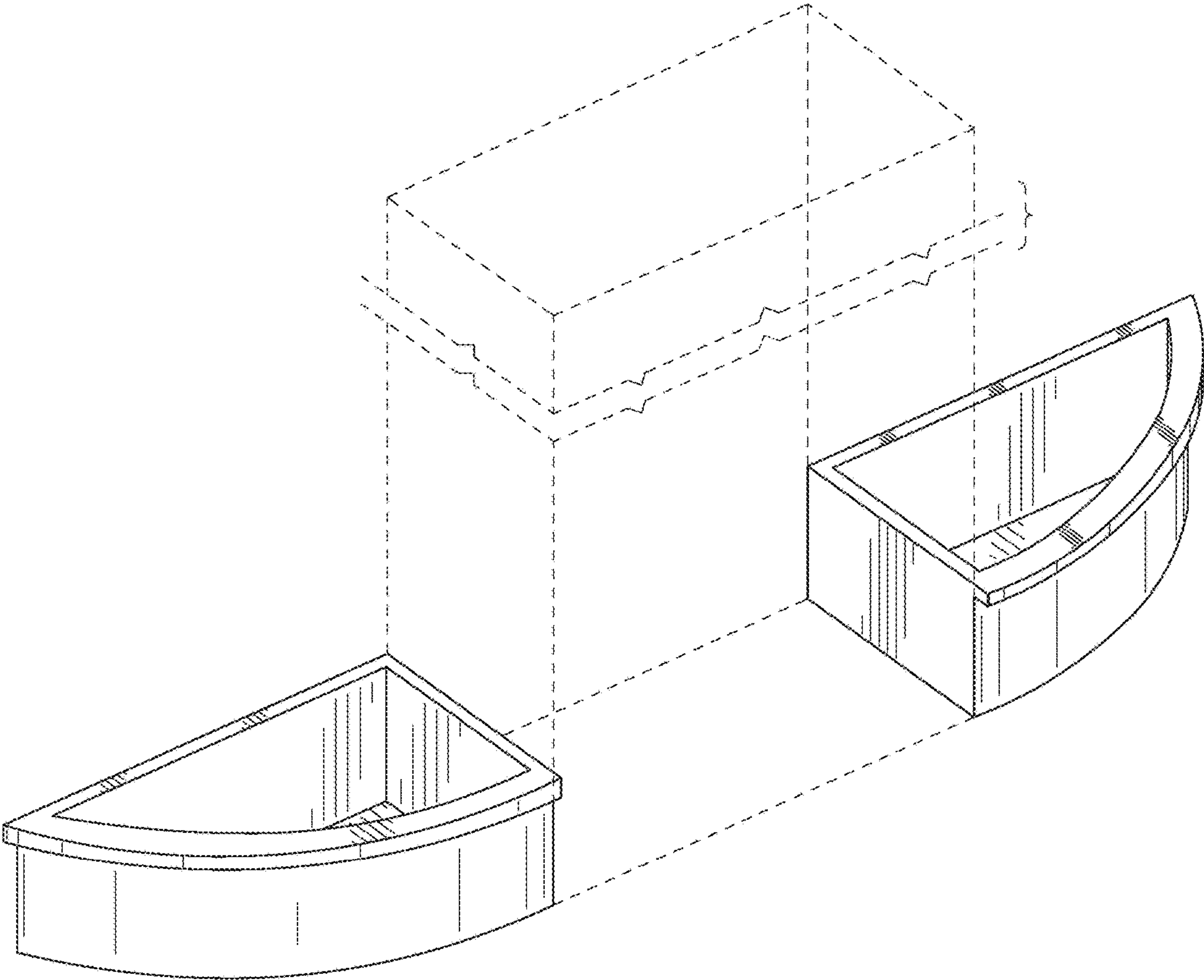
(56)

**References Cited**

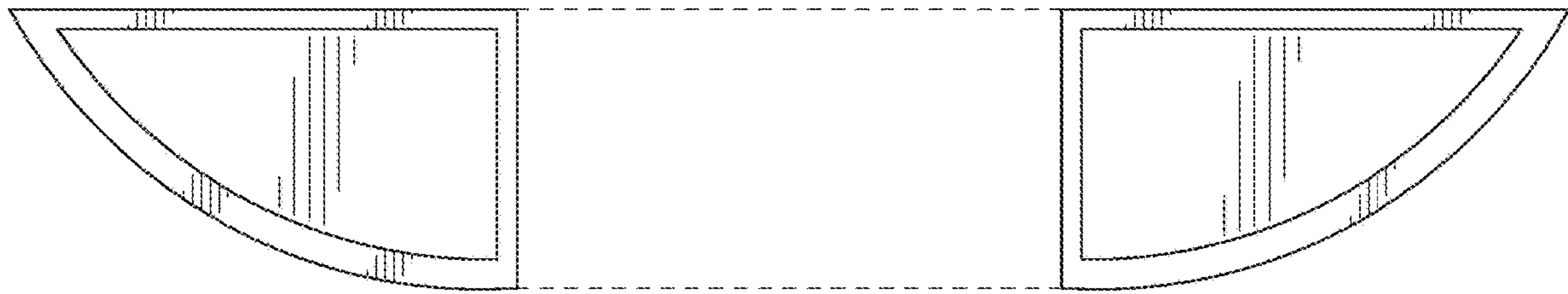
U.S. PATENT DOCUMENTS

D579,374 S 10/2008 Boyette et al.  
7,527,017 B1 \* 5/2009 Cribb ..... A01K 7/005  
119/51.5  
D658,916 S 5/2012 Roverso et al.  
8,381,435 B2 \* 2/2013 Rand ..... A47G 7/02  
248/346.05  
D683,192 S \* 5/2013 Schwartz ..... D7/629  
D721,007 S \* 1/2015 Dickinson ..... D11/149  
D727,107 S \* 4/2015 Parodi, Jr. .... D7/396.2  
D744,896 S \* 12/2015 Sebastiampillai ..... D11/144  
D761,154 S \* 7/2016 Agar ..... D11/143  
D761,155 S \* 7/2016 Agar ..... D11/143  
D831,535 S \* 10/2018 Habel ..... D11/153  
D848,702 S \* 5/2019 Busch ..... D34/7

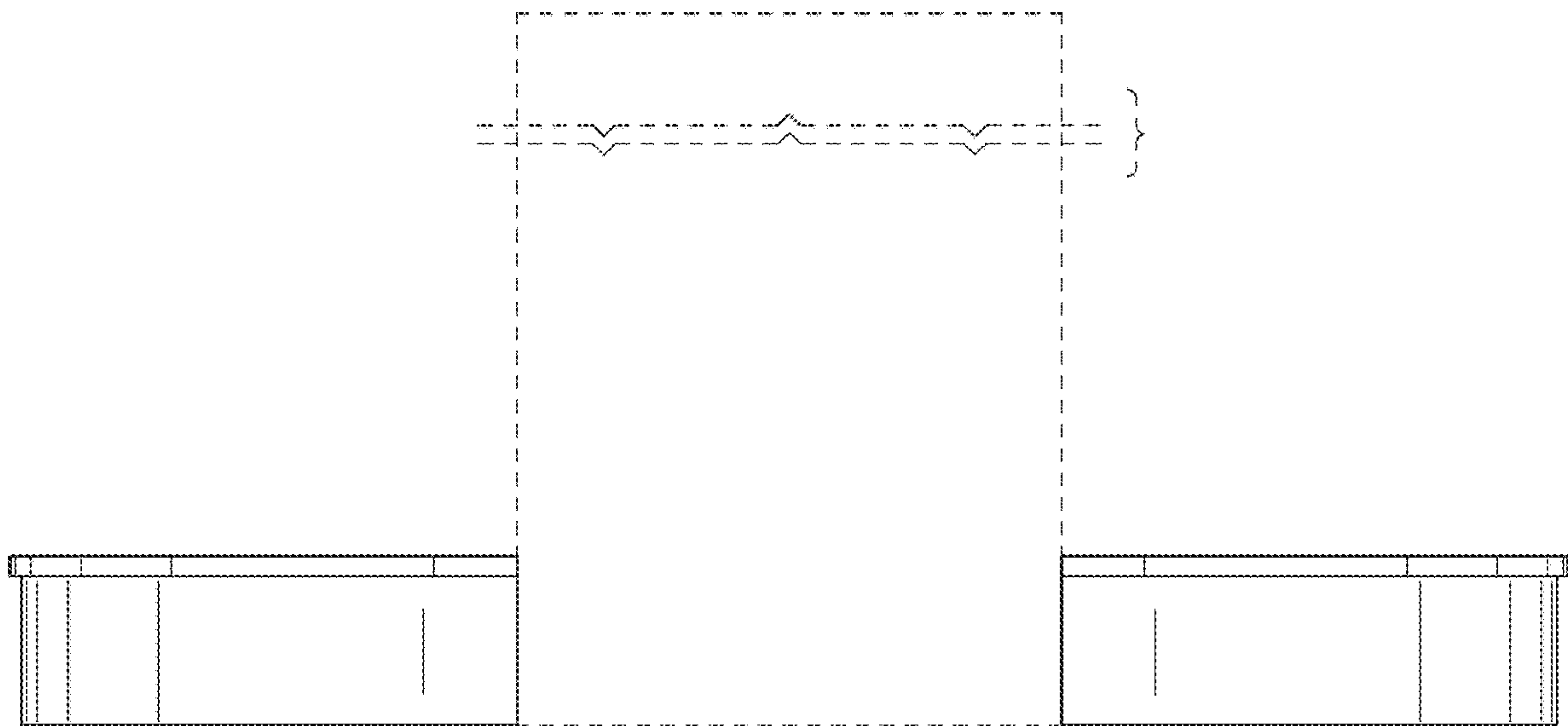
\* cited by examiner



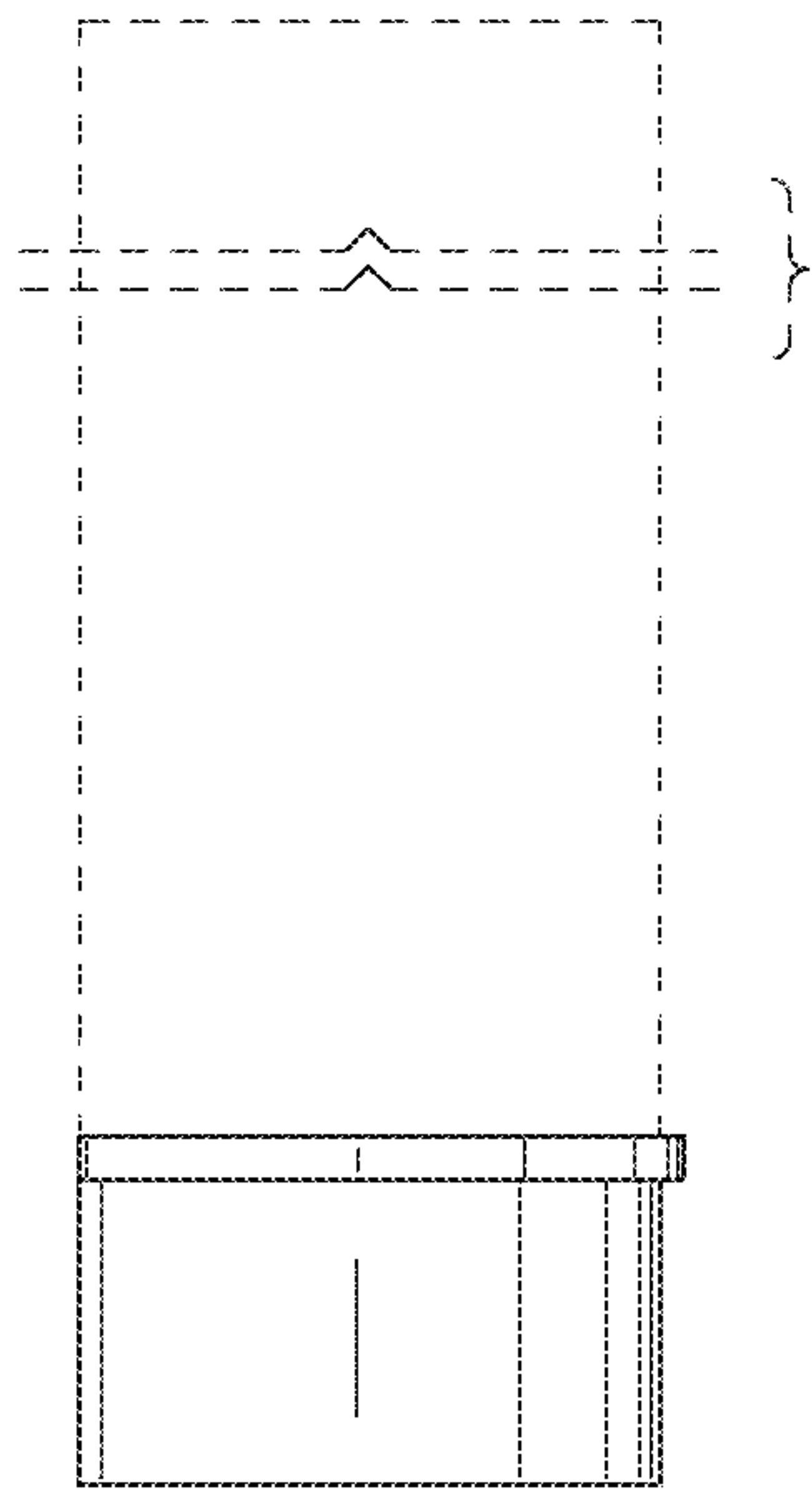
**FIG. 1**



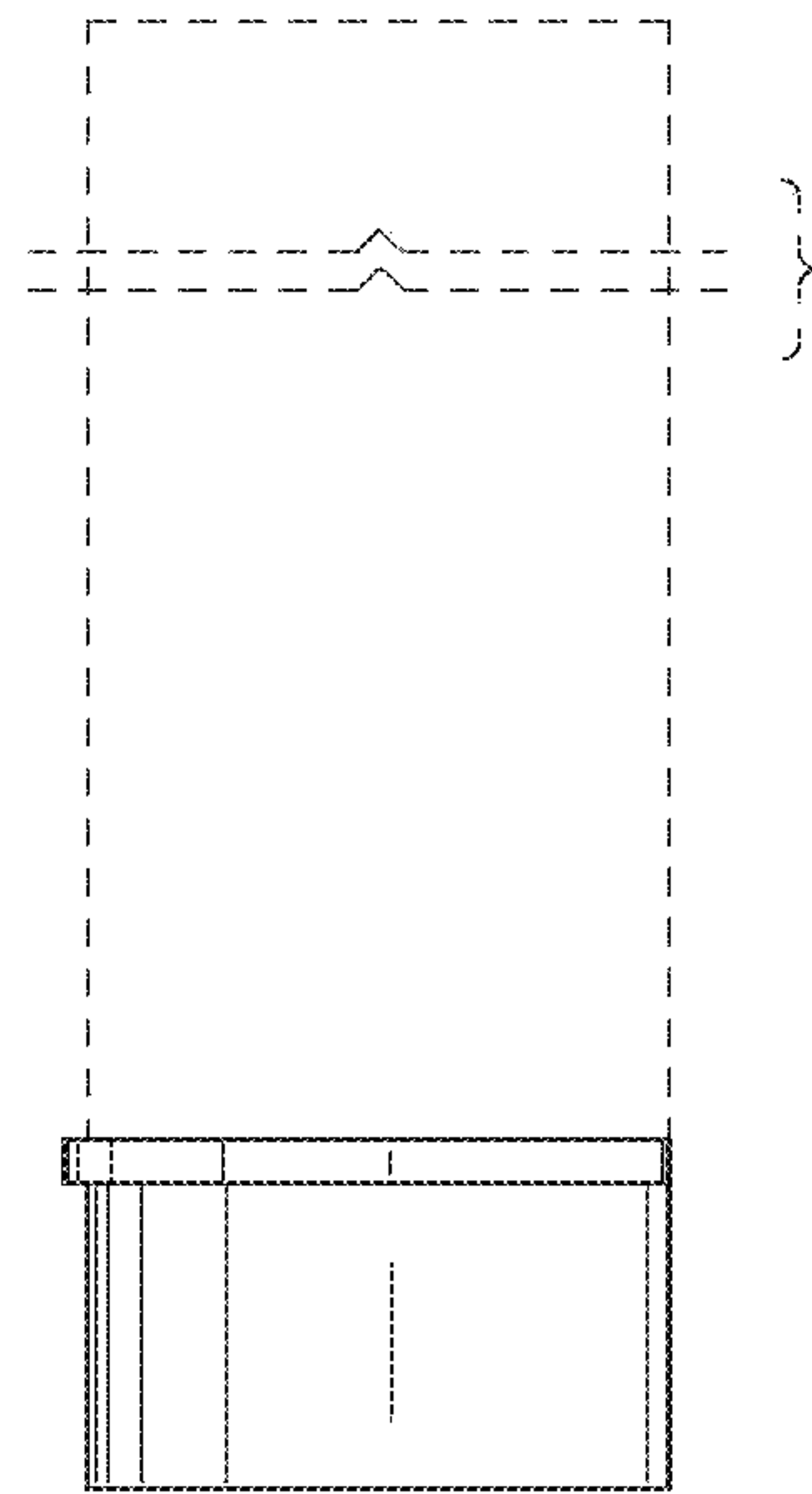
**FIG. 2**



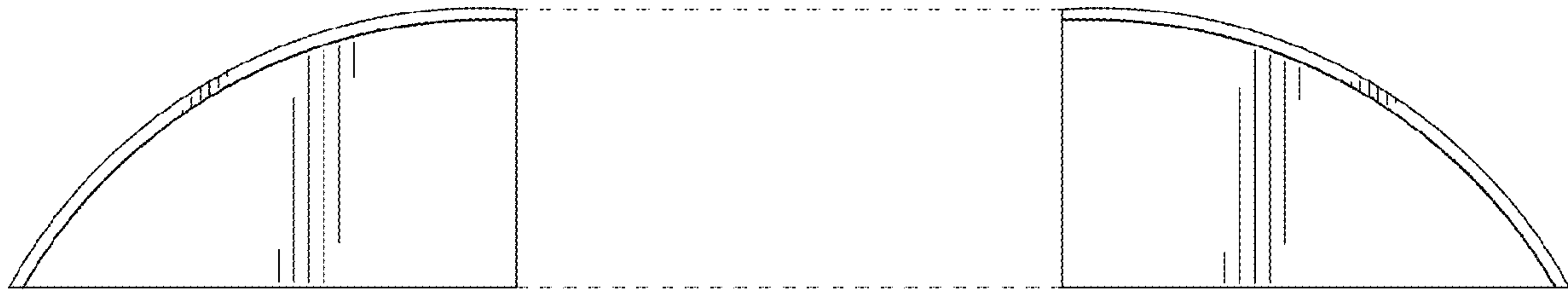
**FIG. 3**



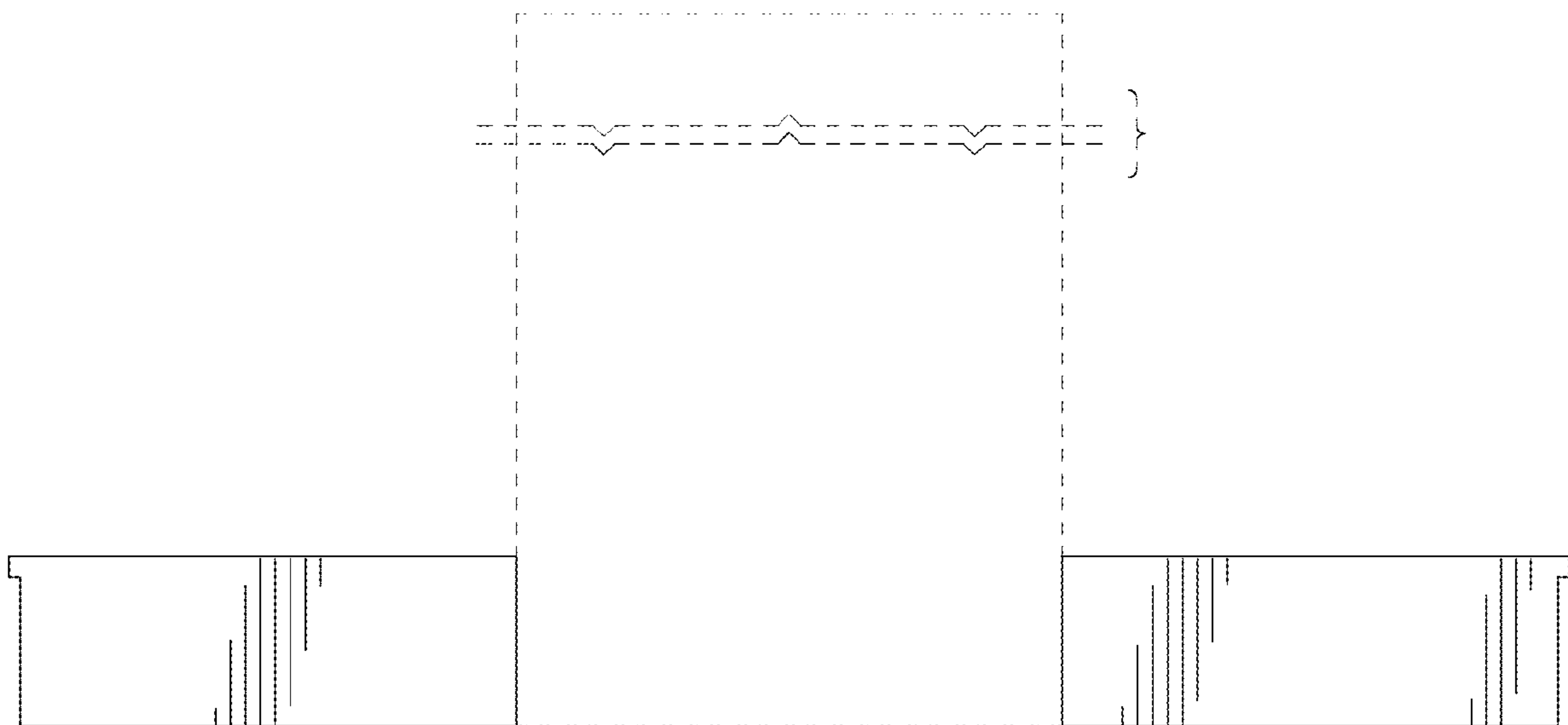
**FIG. 4**



**FIG. 5**



**FIG. 6**



**FIG. 7**