

US00D894783S

(12) **United States Design Patent** (10) **Patent No.:** **US D894,783 S**  
**Haramain et al.** (45) **Date of Patent:** **\*\* Sep. 1, 2020**

(54) **GEM FRAME**  
(71) Applicant: **ARK CRYSTAL, LLC**, San Clemente, CA (US)  
(72) Inventors: **Nassim Haramain**, San Clemente, CA (US); **Scott Brown**, San Clemente, CA (US); **Kevin Kendrick**, San Clemente, CA (US)  
(73) Assignee: **ARK Crystal, LLC**, San Clemente, CA (US)  
(\*\*) Term: **15 Years**

D466,828 S 12/2002 Pinto  
D753,016 S 4/2016 Yep  
9,395,765 B2 \* 7/2016 Hoss ..... G06F 1/181  
D877,646 S \* 3/2020 Haramain ..... D11/91  
2008/0016915 A1 1/2008 Shah  
2009/0193848 A1 \* 8/2009 Hsu ..... A44C 9/00  
63/15  
2011/0203317 A1 \* 8/2011 Miller ..... A44C 17/04  
63/15  
2012/0067083 A1 \* 3/2012 Huynh ..... A44C 17/02  
63/26  
2013/0122974 A1 \* 5/2013 Haramain ..... A44C 17/02  
63/26  
2014/0072942 A1 3/2014 Haramain  
2015/0093571 A1 4/2015 Haramain  
2016/0090666 A1 3/2016 Haramain

(21) Appl. No.: **29/727,225**

\* cited by examiner

(22) Filed: **Mar. 9, 2020**

*Primary Examiner* — Llorelys Martinez

**Related U.S. Application Data**

(74) *Attorney, Agent, or Firm* — Fish IP Law, LLP

(62) Division of application No. 29/619,379, filed on Sep. 28, 2017, now Pat. No. Des. 877,646.

(51) **LOC (12) Cl.** ..... **11-01**

(57) **CLAIM**

(52) **U.S. Cl.**

The ornamental design for a gem frame, as shown and described.

USPC ..... **D11/92**

(58) **Field of Classification Search**

**DESCRIPTION**

USPC ..... D11/1, 26, 34, 40, 86, 90–92  
CPC ..... A44C 17/00; A44C 17/001; A44C 17/02; A44C 17/0208; A44C 17/0241; A44C 17/0258; A44C 17/0283; A44C 17/04; A44C 1/00; A44C 25/001; A44C 7/00; A44C 7/001; A44C 9/00

FIG. 1 is a top, front, right side perspective view of a gem frame showing our new design;  
FIG. 2 is a front elevation view thereof;  
FIG. 3 is a rear elevation view thereof;  
FIG. 4 is a left side elevation view thereof, the right side elevation view being a mirror image;  
FIG. 5 is a top plan view thereof; and,  
FIG. 6 is a bottom plan view thereof.

See application file for complete search history.

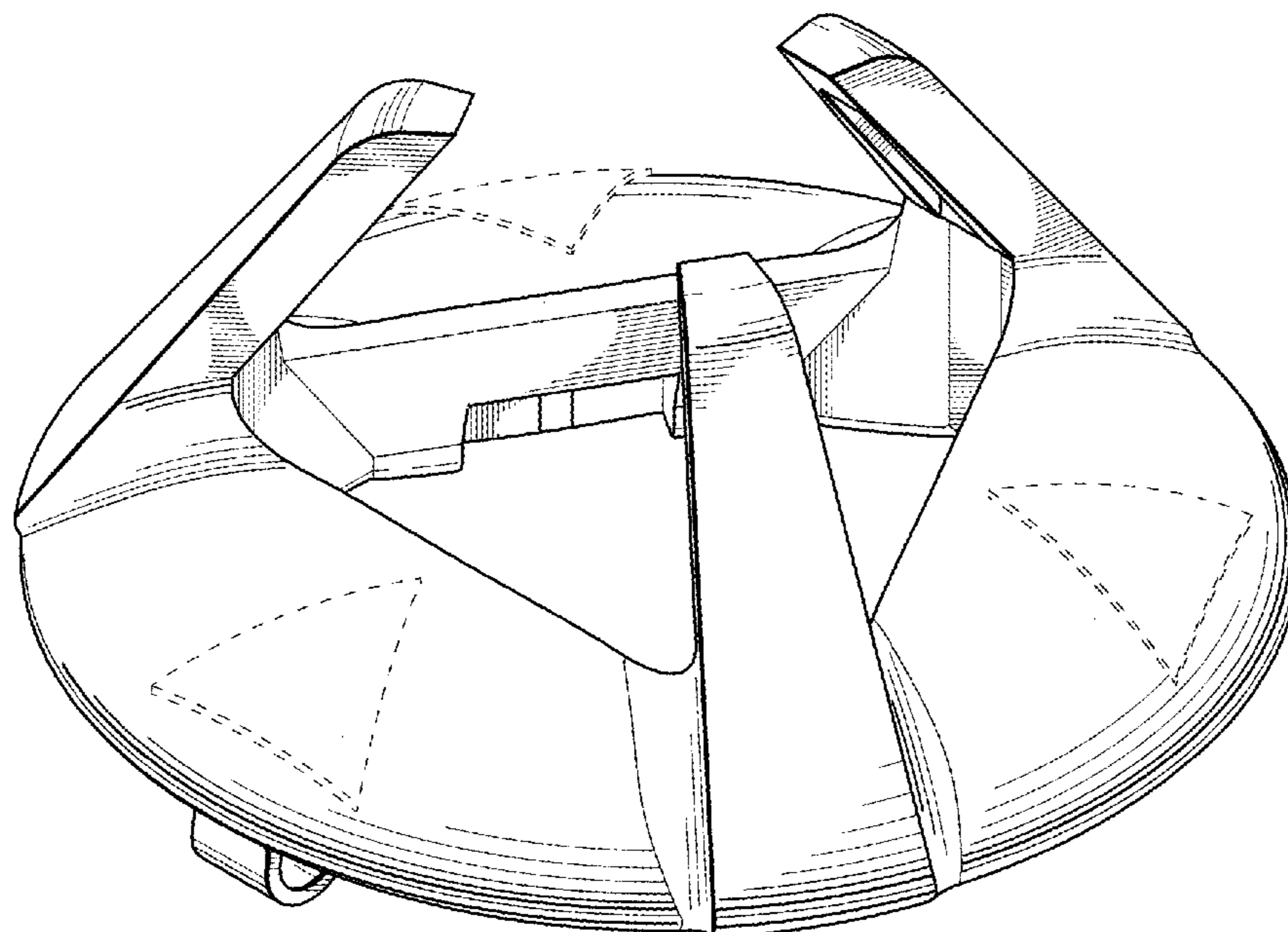
The broken lines in the drawings represent portions of the gem frame that form no part of the claim.

(56) **References Cited**

**U.S. PATENT DOCUMENTS**

**1 Claim, 3 Drawing Sheets**

D57,218 S 3/1921 Eliasoff et al.  
D260,862 S \* 9/1981 Linzer ..... D11/92



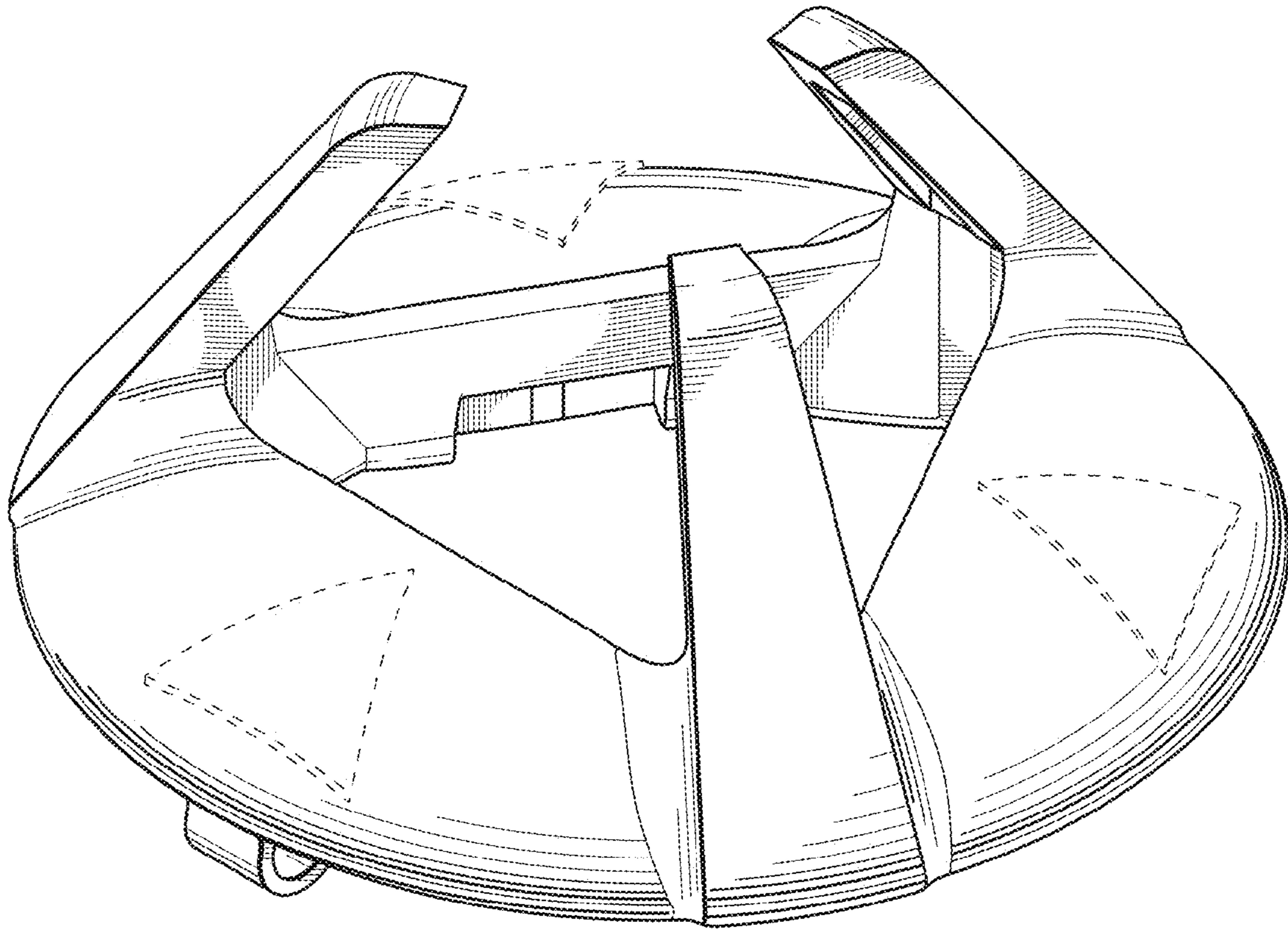


FIG. 1

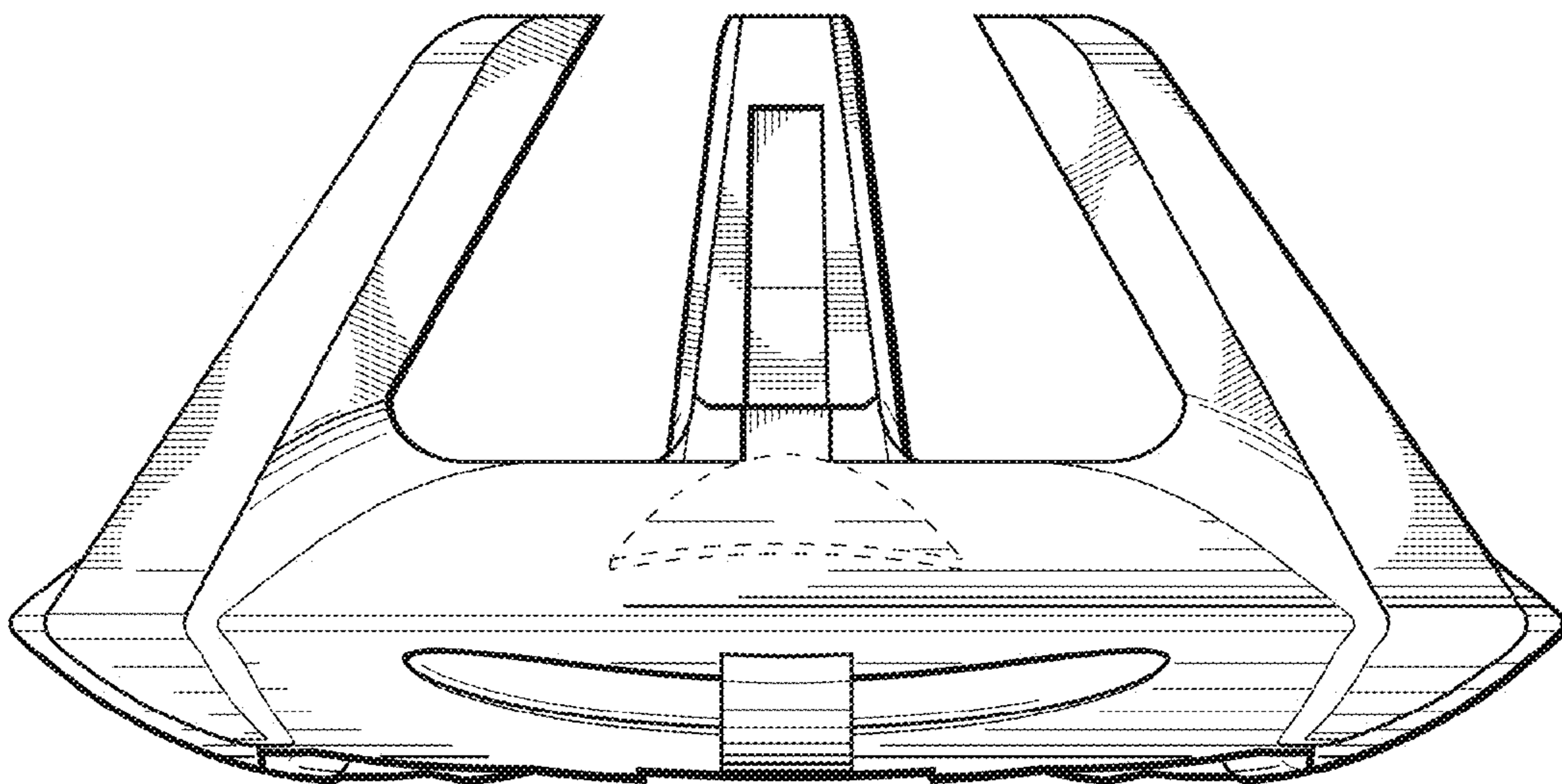


FIG. 2

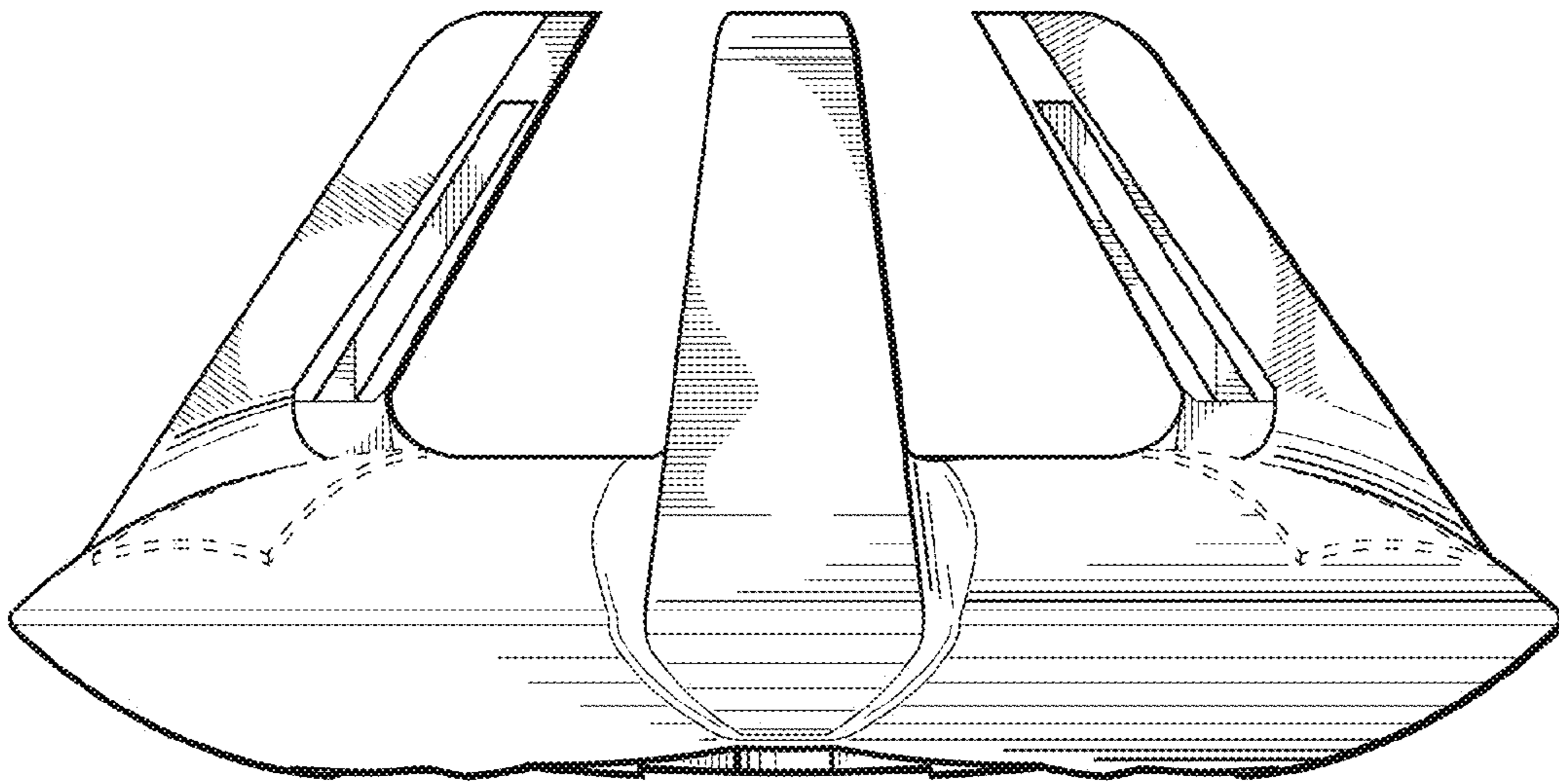
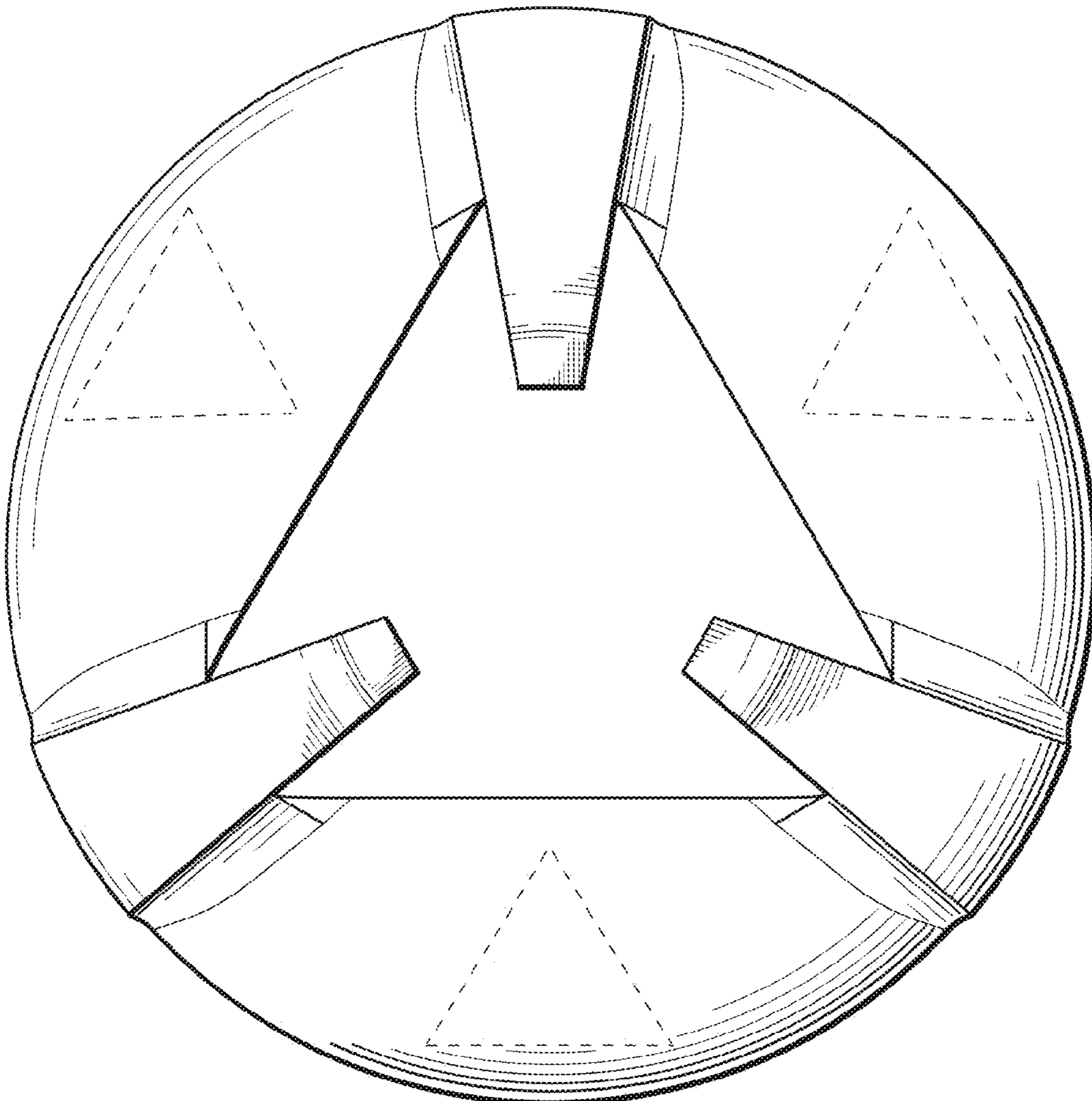


FIG. 3

FIG. 5



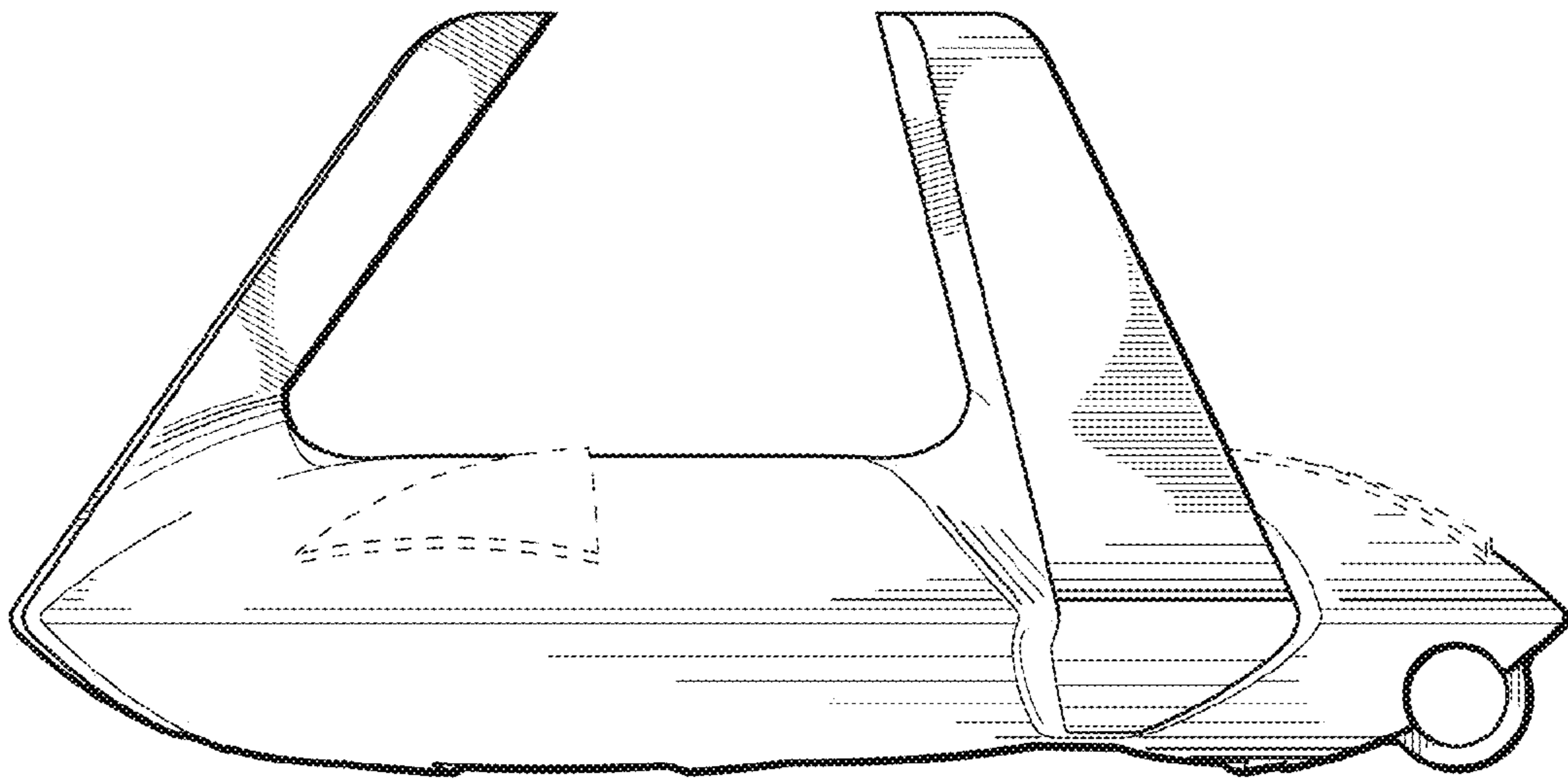


FIG. 4

FIG. 6

