



US00D894782S

(12) **United States Design Patent** (10) **Patent No.:** **US D894,782 S**
Kaupp (45) **Date of Patent:** **** Sep. 1, 2020**

(54) **ADD-A-BEAD ADJUSTABLE JEWELRY STRAND WITH CLASP**

(71) Applicant: **John Stephen Kaupp**, Rochester, NY (US)

(72) Inventor: **John Stephen Kaupp**, Rochester, NY (US)

(73) Assignee: **J. K. Jewelry, Inc.**, Rochester, NY (US)

(**) Term: **15 Years**

(21) Appl. No.: **29/695,840**

(22) Filed: **Jun. 21, 2019**

(51) **LOC (12) Cl.** **11-01**

(52) **U.S. Cl.**
USPC **D11/86**

(58) **Field of Classification Search**
USPC D11/1-35, 86, 87
CPC A44C 5/18; A44C 5/185; A44C 5/2019;
A44C 5/2033; A44C 5/2095; A44C
15/00; A44C 15/0035; A44C 15/0045;
A44C 15/005; A44C 15/0055
See application file for complete search history.

(56) **References Cited**

U.S. PATENT DOCUMENTS

808,760	A	1/1906	Kollmar	
3,271,977	A	9/1966	Bohlinger et al.	
3,443,398	A *	5/1969	King, Jr.	A44C 7/002 63/13
3,481,155	A	12/1969	Cook	
4,086,786	A *	5/1978	Ritter	A44C 7/002 63/13
4,195,492	A *	4/1980	Johnson	A44C 7/002 63/11
D265,894	S *	8/1982	Barr	63/13
4,879,882	A	11/1989	Johnson	

5,505,061	A *	4/1996	Fleury, Jr.	A44C 7/002 63/13
6,349,453	B1	2/2002	Nicoletti	
D456,299	S *	4/2002	Brisk	D11/77
D456,732	S *	5/2002	Wilkinson	D11/1
6,553,785	B2	4/2003	Mount	
6,557,376	B2	5/2003	Pratt	
7,257,967	B2	8/2007	Rheinstein	
D567,704	S *	4/2008	Martin	D11/87
7,802,448	B2	9/2010	Chan	
D635,046	S *	3/2011	Dobashi	D11/2

(Continued)

FOREIGN PATENT DOCUMENTS

DE	10 2010 047 689	A	4/2012
EP	2 832 252	A2	2/2015

Primary Examiner — Zenia I Bennett

(74) Attorney, Agent, or Firm — Gary E. Lambert; David J. Connaughton, Jr.; Lambert Shortell & Connaughton

(57) **CLAIM**

The ornamental design for an add-a-bead adjustable jewelry strand with clasp, as shown and described.

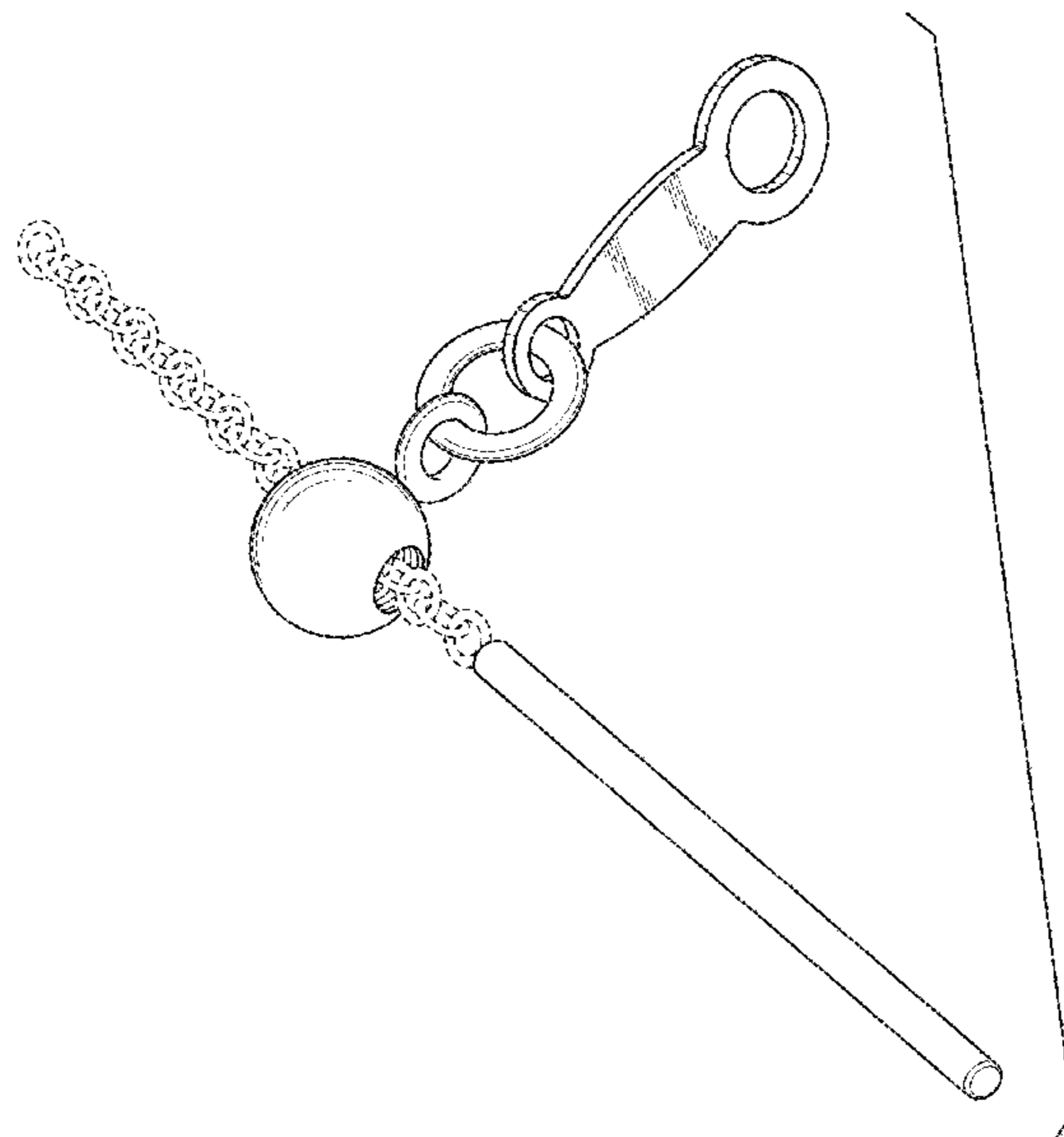
DESCRIPTION

FIG. 1 is an isometric exploded view of the add-a-bead adjustable jewelry strand with clasp, which embodies my design.

FIG. 2 is a side exploded view thereof;
FIG. 3 is a side exploded view thereof;
FIG. 4 is a side exploded view thereof;
FIG. 5 is a side exploded view thereof;
FIG. 6 is a top plan exploded view thereof;
FIG. 7 is a bottom plan exploded view thereof; and,
FIG. 8 is an isometric view thereof shown in a position of use.

The dotted lines shown in FIG. 8 represent a necklace shown in a position of use and are not part of the claimed design.

1 Claim, 4 Drawing Sheets



(56)

References Cited

U.S. PATENT DOCUMENTS

7,980,095	B1	7/2011	Masterson	
D652,761	S *	1/2012	Gutierrez	D11/87
9,364,051	B2	6/2016	Kienzle	
10,016,030	B2 *	7/2018	Simon	A44C 15/005
2002/0059809	A1	5/2002	Ito	
2002/0066290	A1	6/2002	Chen	
2005/0050918	A1	3/2005	Saintil-van Goodman	
2005/0056052	A1	3/2005	Lawrence	
2006/0213225	A1	9/2006	Pratt	
2007/0200043	A1	8/2007	Just	
2016/0198817	A1	7/2016	Berka	

* cited by examiner

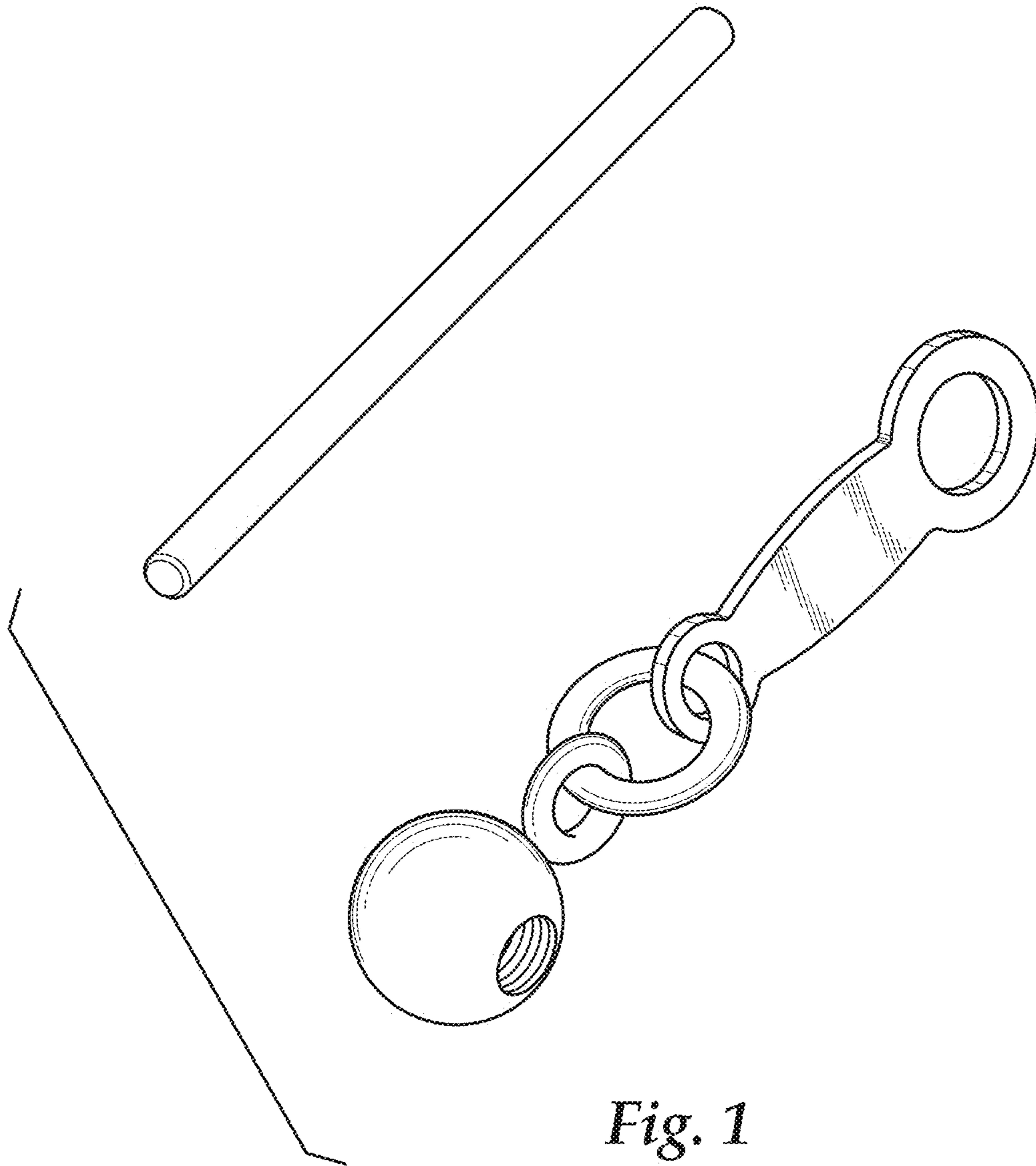


Fig. 1

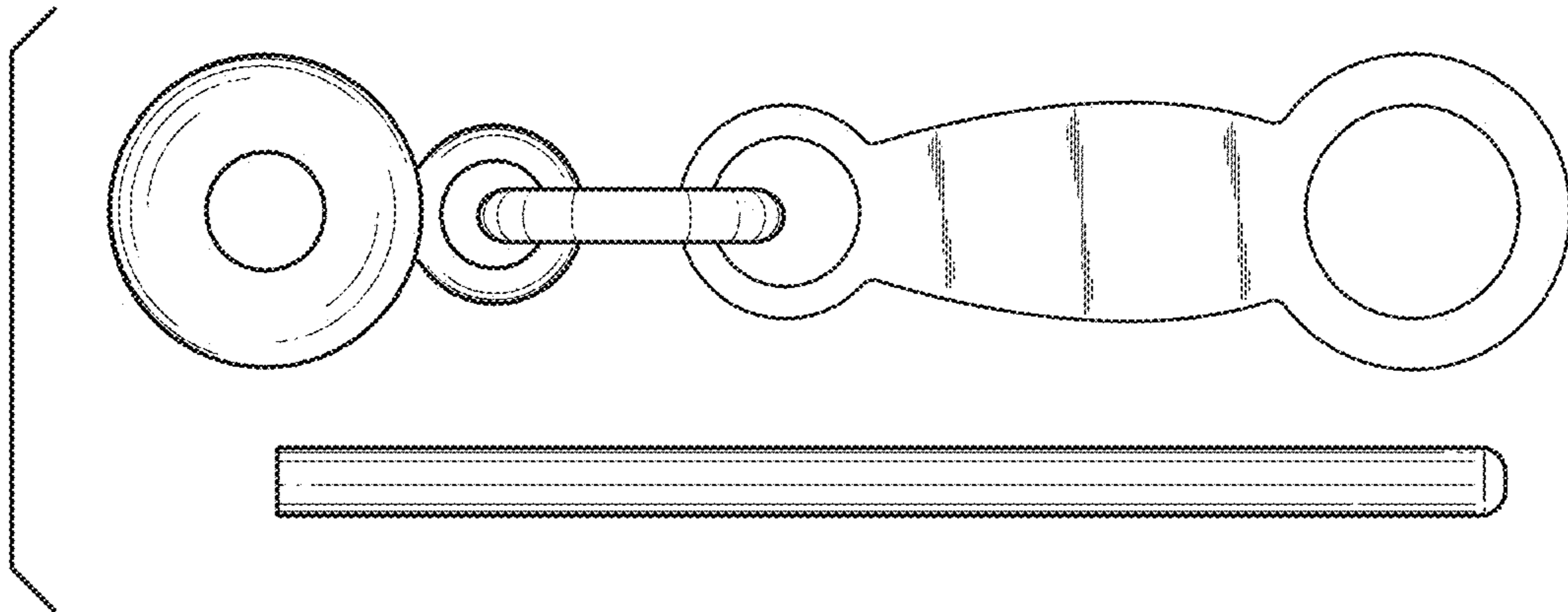


Fig. 2

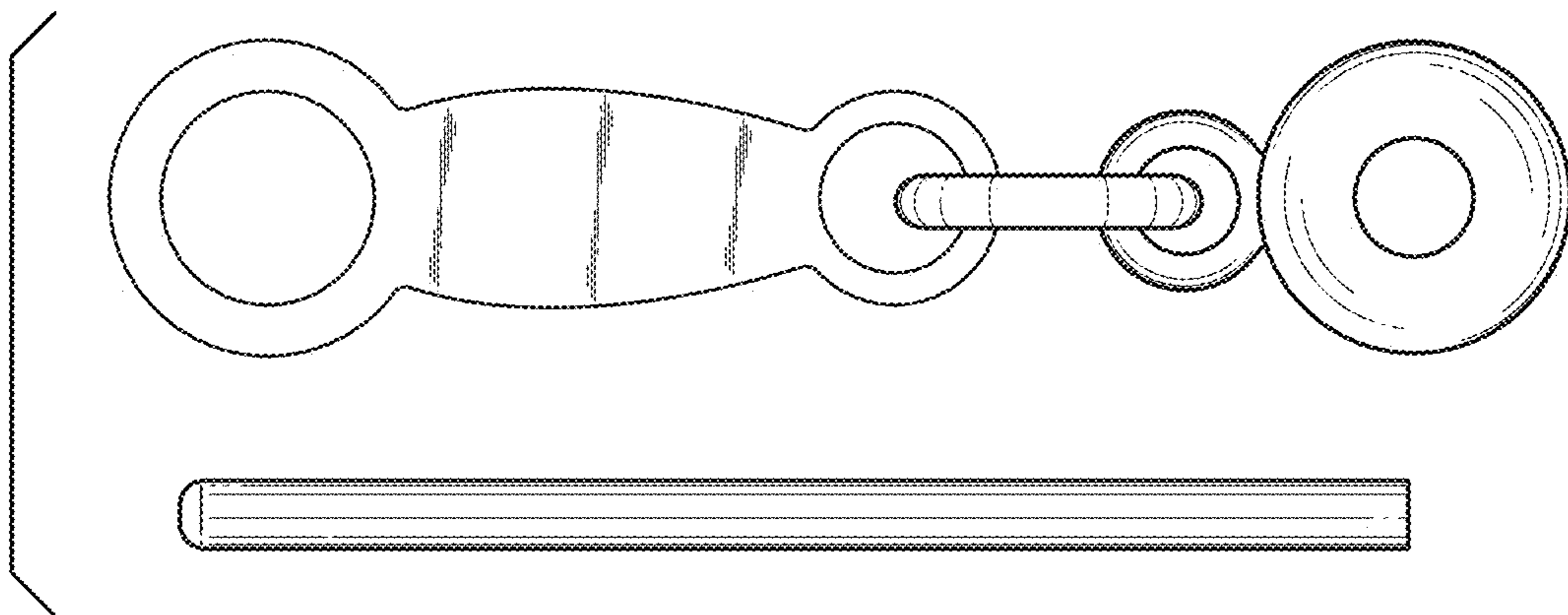


Fig. 3

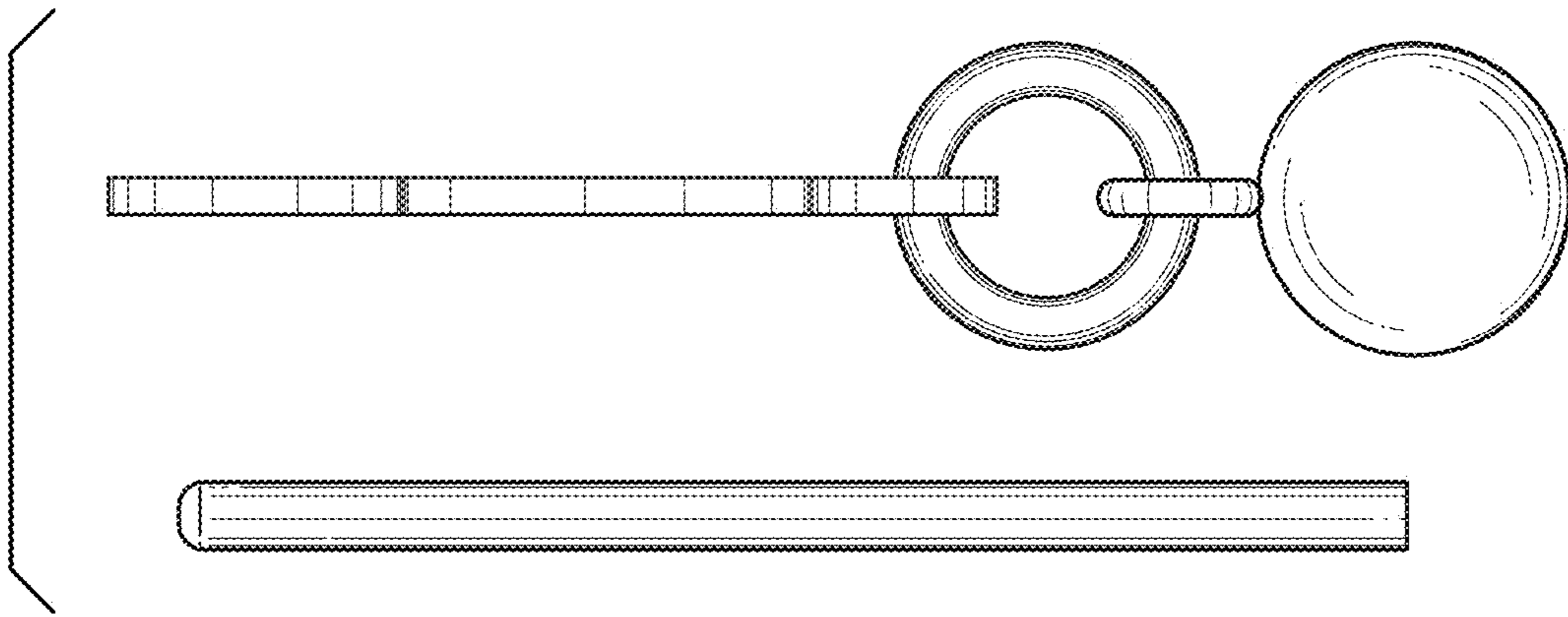


Fig. 4

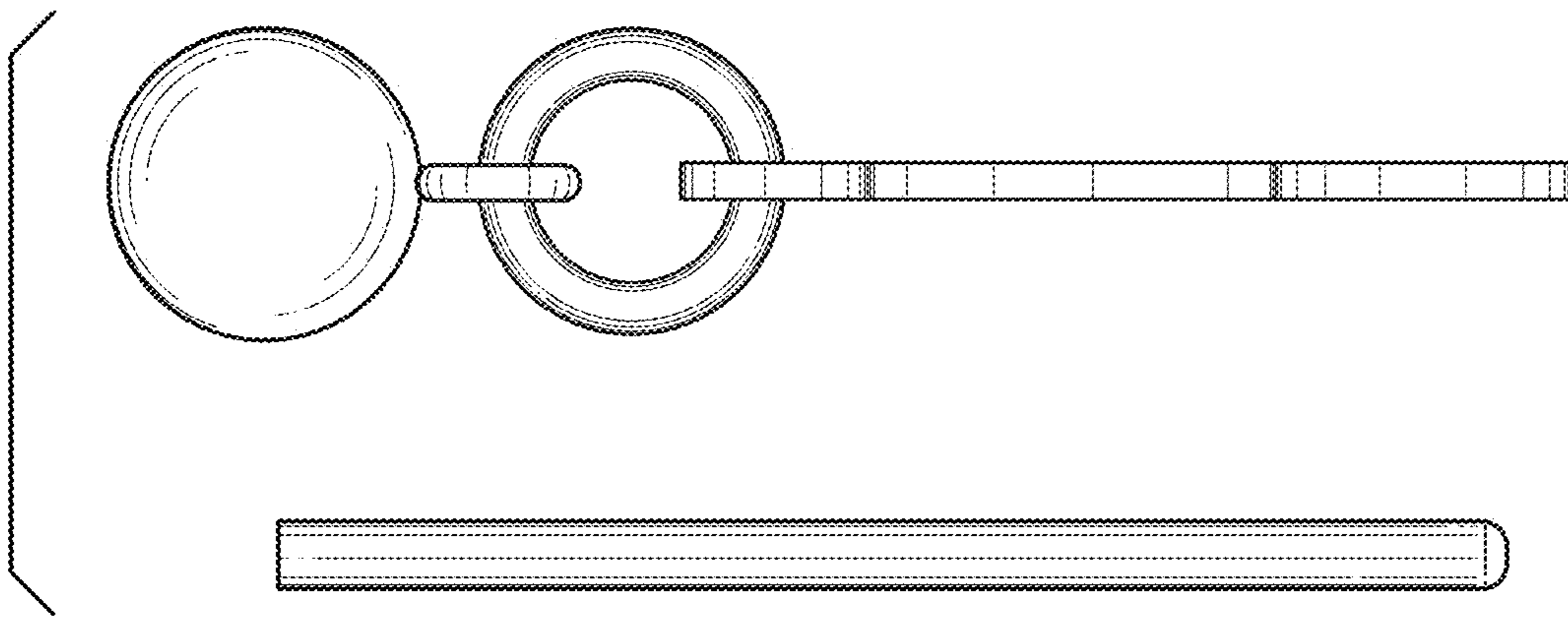


Fig. 5

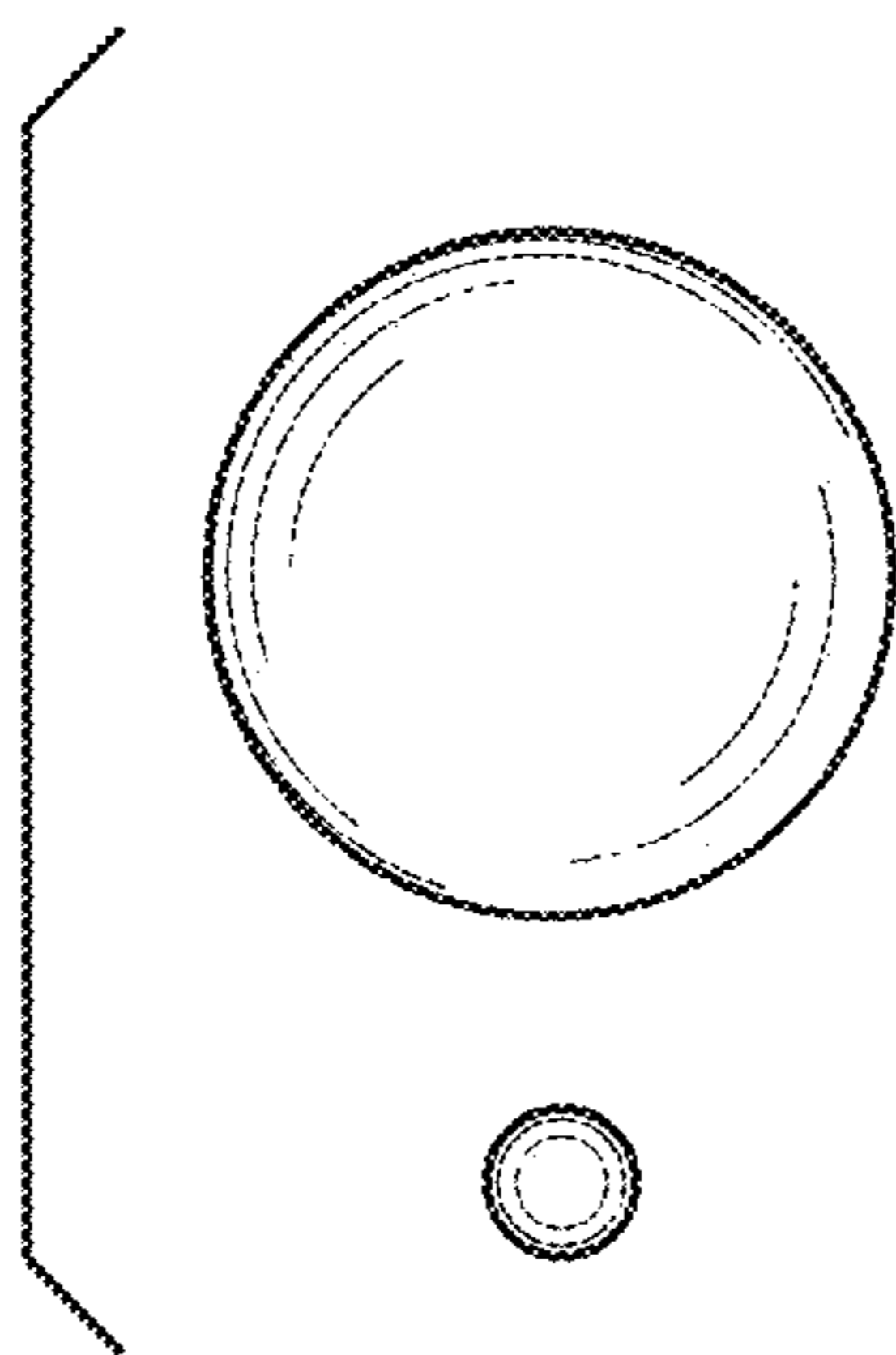


Fig. 6

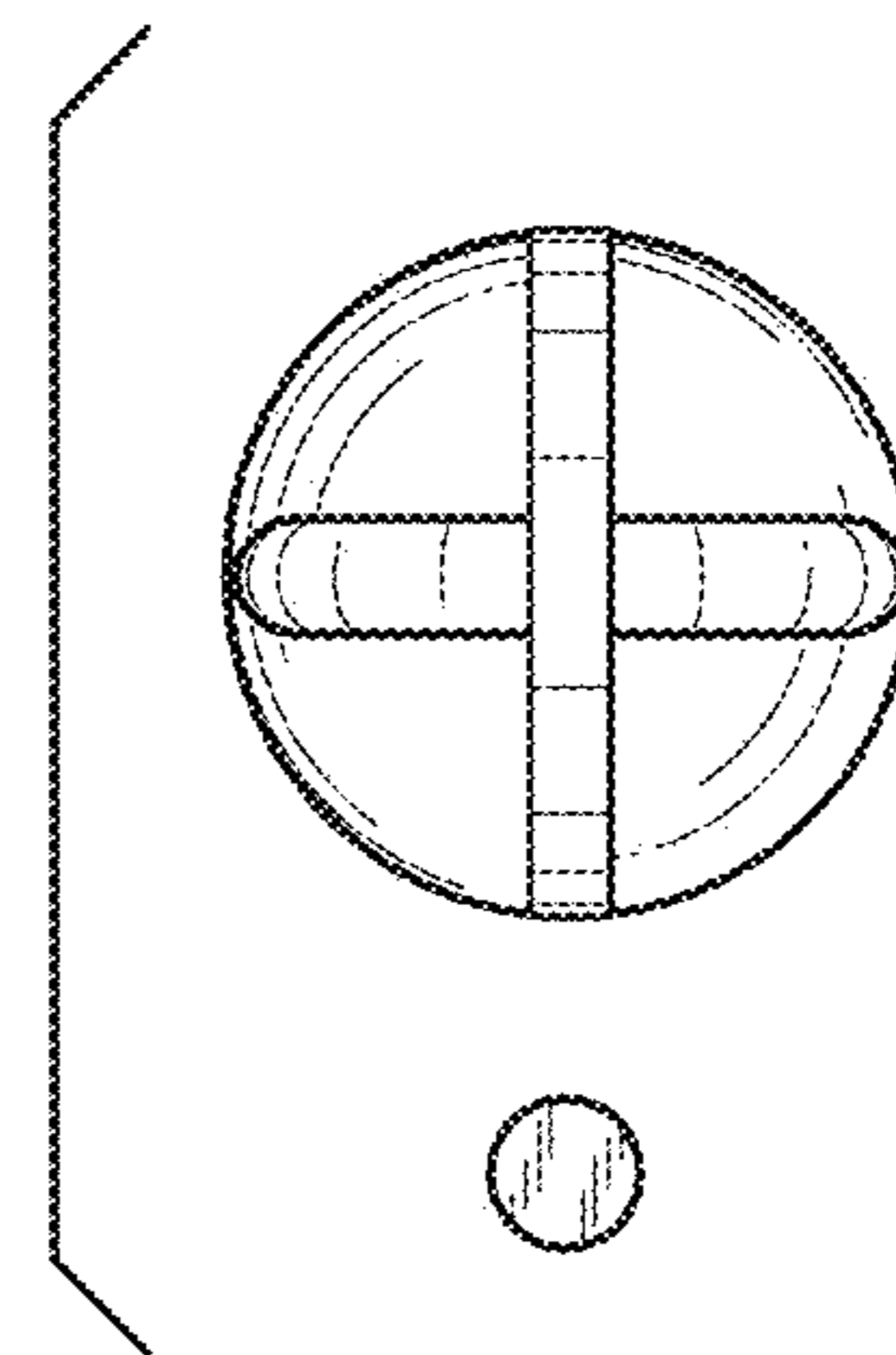


Fig. 7

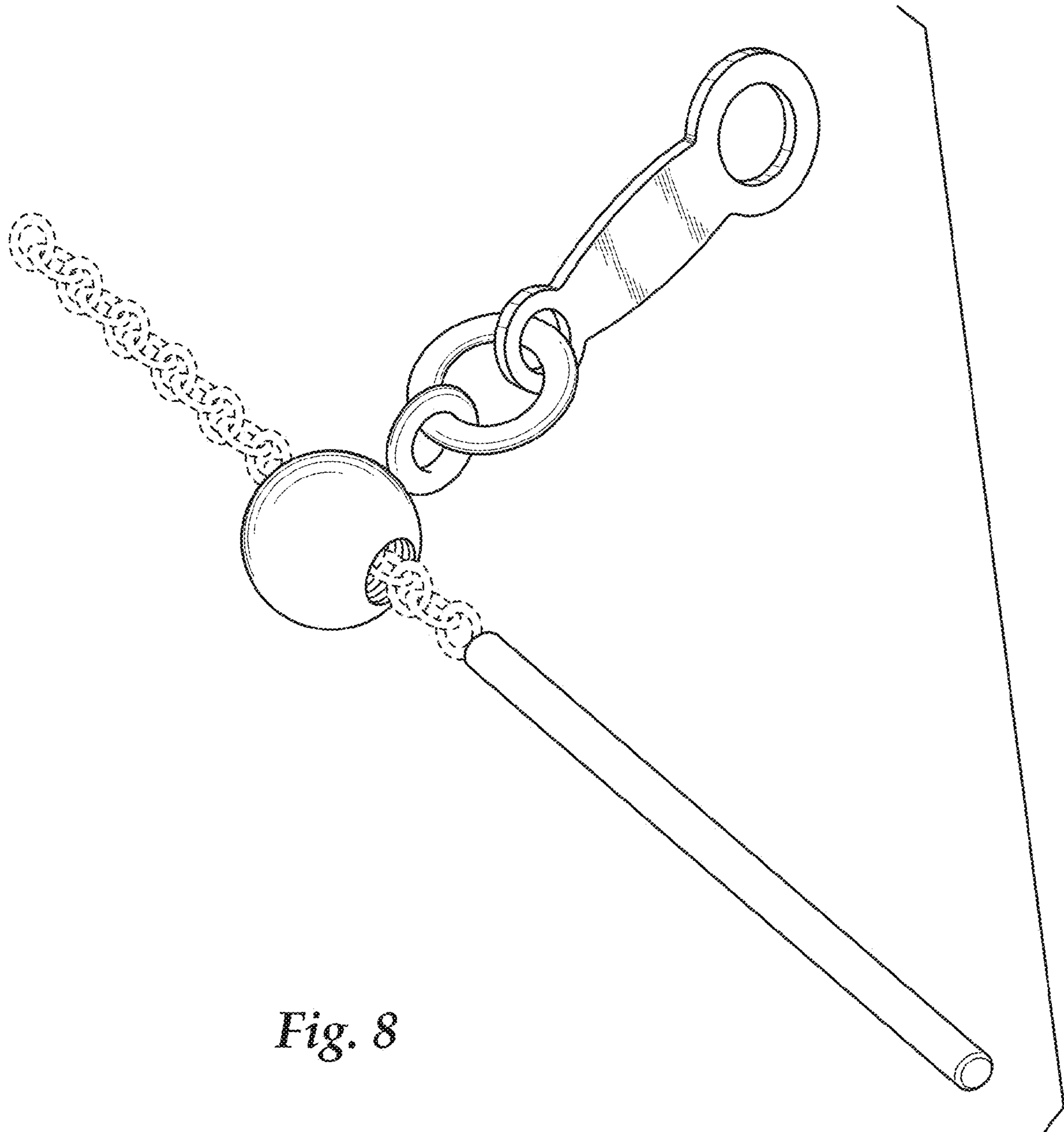


Fig. 8