



US00D894779S

(12) **United States Design Patent**
Calvani

(10) **Patent No.:** **US D894,779 S**

(45) **Date of Patent:** **** Sep. 1, 2020**

(54) **WATCH MOVEMENT**

(71) Applicant: **Rolex Watch U.S.A., Inc.**, New York, NY (US)

(72) Inventor: **Cristina Calvani**, Geneva (CH)

(73) Assignee: **Rolex Watch U.S.A., Inc.**, New York, NY (US)

(**) Term: **15 Years**

(21) Appl. No.: **29/645,001**

(22) Filed: **Apr. 23, 2018**

(30) **Foreign Application Priority Data**

Mar. 6, 2018 (CH) 143815

(51) **LOC (12) Cl.** **10-07**

(52) **U.S. Cl.**
USPC **D10/129**

(58) **Field of Classification Search**

USPC D10/1-2, 6, 10, 30-39, 40-41, 102-103,
D10/122-129, 132; D11/3; D14/344,
D14/440

CPC G04B 37/00; G04B 37/005; G04B 37/22;
G04B 17/00; G04B 19/223; G04B 19/24;
G04B 45/00; G04B 45/0061; G04B
45/0069; G04B 45/0076; G04B 45/0084;
G04B 29/00; G04B 33/00; G04B 33/02;
G04B 33/06; G04B 33/08; G04B 33/12;
G04B 33/14; G04B 33/16; A45C 11/10;
A45C 11/12; A45C 13/008

See application file for complete search history.

(56) **References Cited**

U.S. PATENT DOCUMENTS

340,854 A * 4/1886 Bingham G04B 33/12
368/124
432,291 A * 7/1890 Abbott G04B 33/00
368/318

D26,267 S * 11/1896 Ball D10/129
D28,321 S * 3/1898 Dueber D10/129
832,672 A * 10/1906 Hoffmeier G04B 1/16
368/143
D55,265 S * 5/1920 Friedman D10/129
D136,829 S * 12/1943 Drescher D10/129
3,802,183 A * 4/1974 Erard G04B 29/00
368/125
D311,879 S * 11/1990 Tanaka D10/129
D336,865 S * 6/1993 Besson D10/128
7,218,576 B1 * 5/2007 Bron G04B 19/25
368/35
7,242,640 B2 * 7/2007 Fleury G04B 19/253
368/221

(Continued)

OTHER PUBLICATIONS

Rolex 3255 Movement |posted at ablogtowatch.com Mar. 2015 [online]. © 2007-2019 aBlogtoWatch [retrieved Mar. 1, 2019] from Internet: <<https://www.ablogtowatch.com/rolex-day-date-40-watches-rolex-3255-movement-baselworld-2015/>> (Year: 2015).*

(Continued)

Primary Examiner — Sandra S Snapp
Assistant Examiner — Katherine Glennon
(74) *Attorney, Agent, or Firm* — Sughrue Mion, PLLC

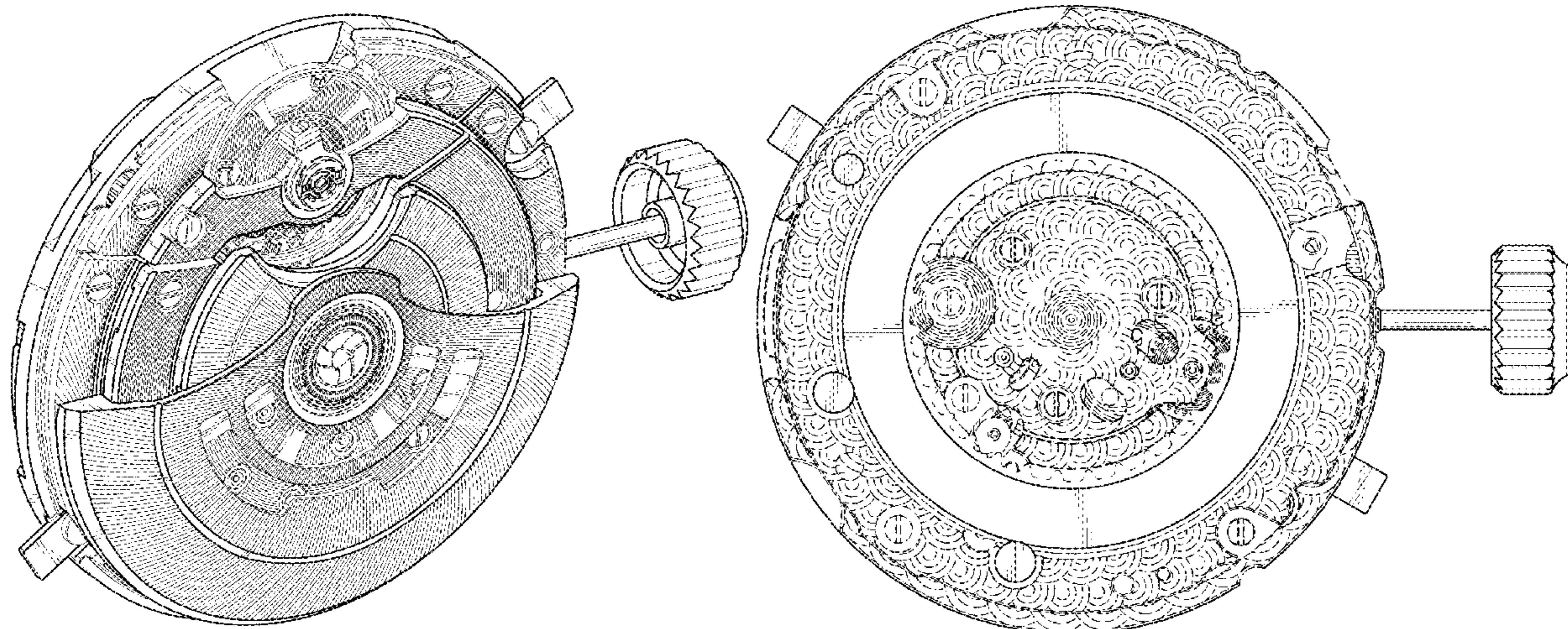
(57) **CLAIM**

The ornamental design for a watch movement, as shown and described.

DESCRIPTION

FIG. 1 is a top perspective view of a watch movement showing my new design; FIG. 2 is a top plan view thereof; and, FIG. 3 is a bottom plan view thereof. The broken lines depict portions of the watch movement that form no part of the claimed design.

1 Claim, 2 Drawing Sheets



(56)

References Cited

U.S. PATENT DOCUMENTS

D591,191 S * 4/2009 Besse D10/129
 8,956,041 B2 * 2/2015 Forsey G04B 17/285
 368/127
 D725,530 S * 3/2015 Graff D10/128
 D739,286 S * 9/2015 Fazio D10/129
 D739,288 S * 9/2015 Fazio D10/129
 D748,517 S * 2/2016 Fazio D10/129
 D833,315 S * 11/2018 Mutsch D10/126
 D833,316 S * 11/2018 Zieta D10/126
 2008/0074952 A1 * 3/2008 Racine G04B 19/247
 368/38
 2010/0135127 A1 * 6/2010 Born G04B 5/12
 368/127
 2011/0149697 A1 * 6/2011 Born G04B 21/12
 368/208
 2012/0082009 A1 * 4/2012 Mariotto G04B 1/16
 368/142

2013/0016590 A1 * 1/2013 Moulin G04B 29/00
 368/127
 2013/0148479 A1 * 6/2013 Peters G04B 13/00
 368/127
 2014/0160905 A1 * 6/2014 Robin G04B 19/06
 368/233
 2015/0286189 A1 * 10/2015 Gruenig G04B 19/247
 368/228
 2016/0282815 A1 * 9/2016 Orny G04B 19/202
 2018/0231934 A1 * 8/2018 Guffond G04B 11/04

OTHER PUBLICATIONS

Baselworld 2015 Rolex Calibre 3255 | posted at deployant.com
 Mar. 2015 [online]. © 2018 Deployant PTE LTD [retrieved Mar. 1,
 2019] from Internet: <<https://deployant.com/baselworld-2015-the-rolex-calibre-3255> (Year: 2015).*

* cited by examiner

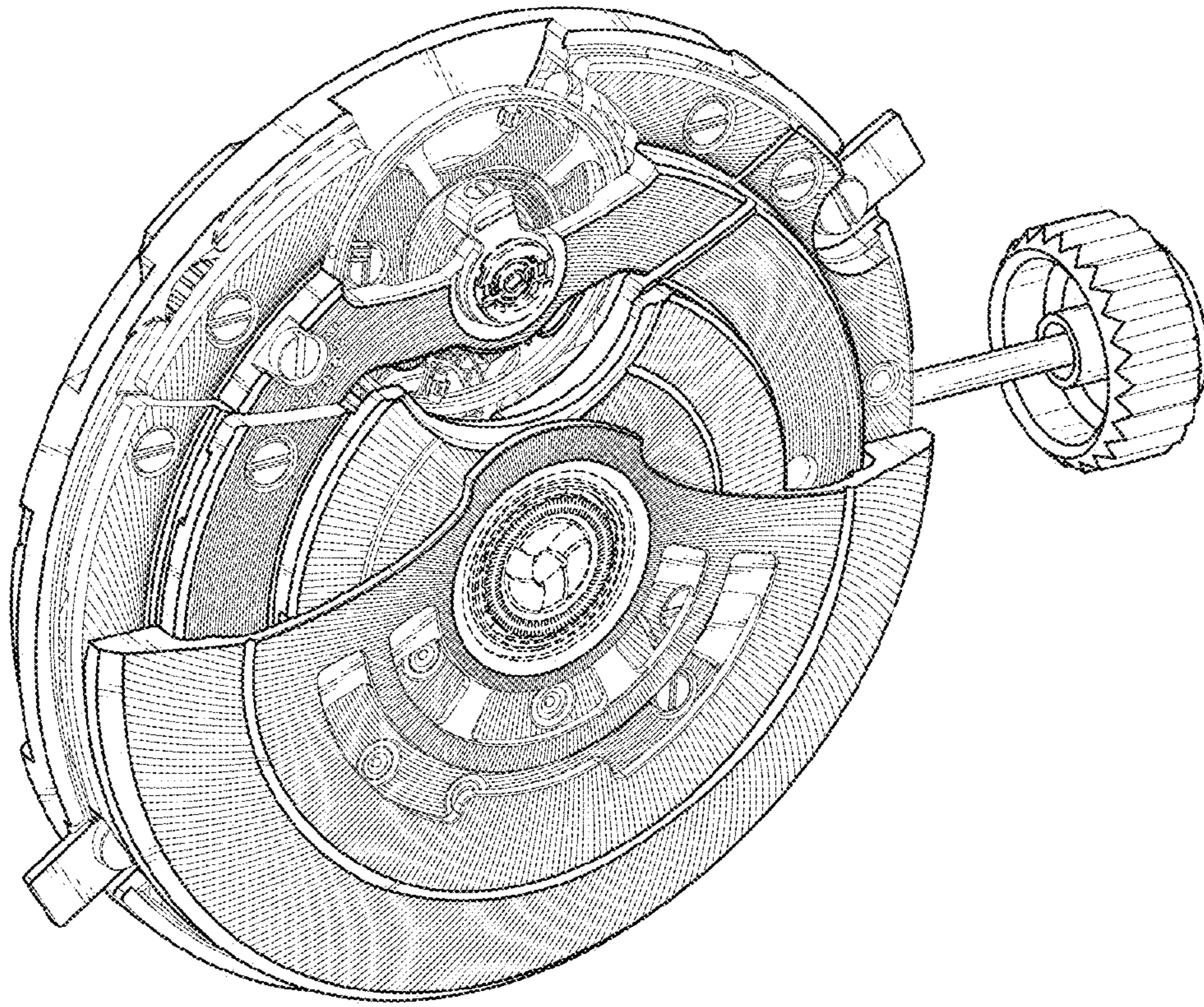


FIG. 1

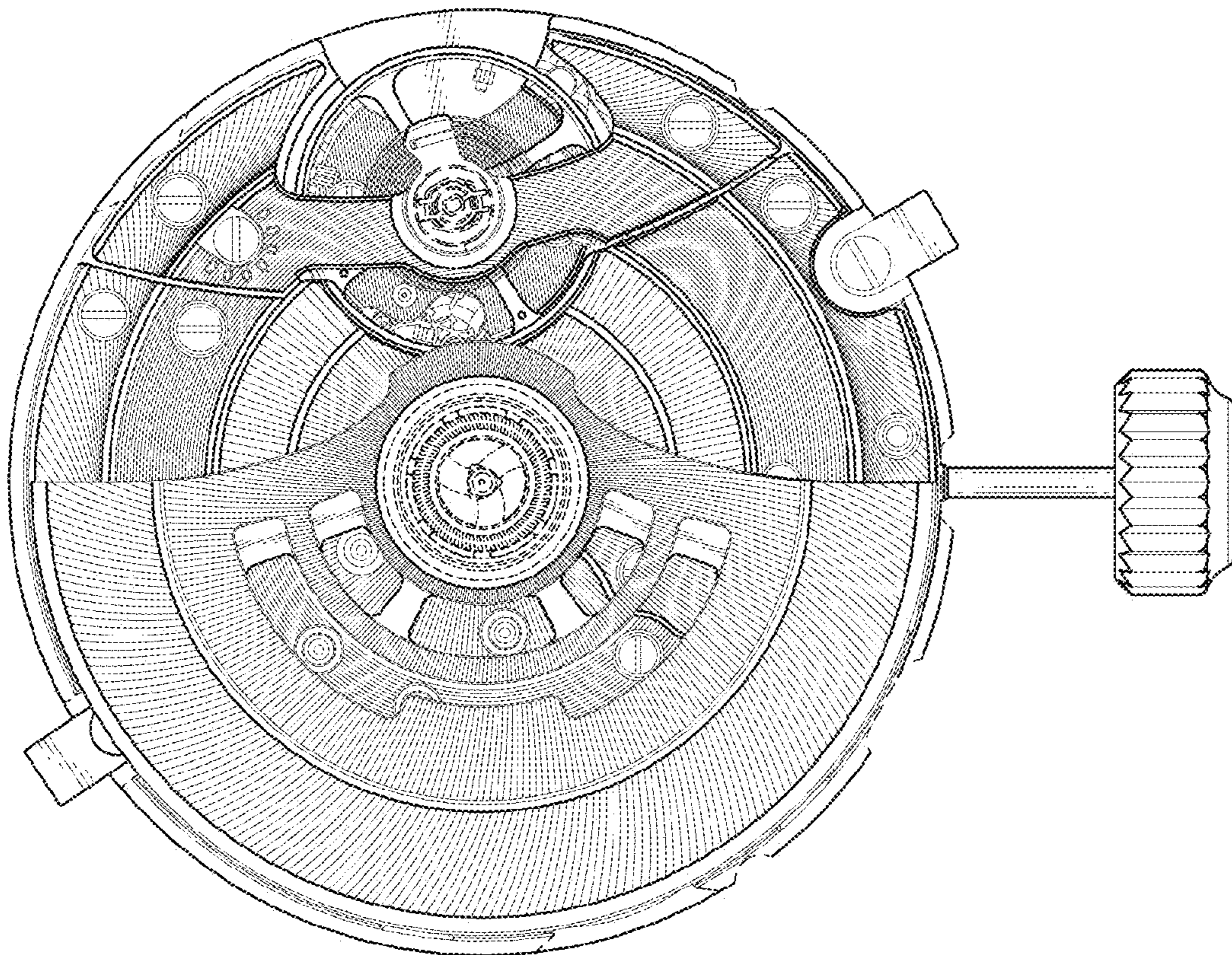


FIG. 2

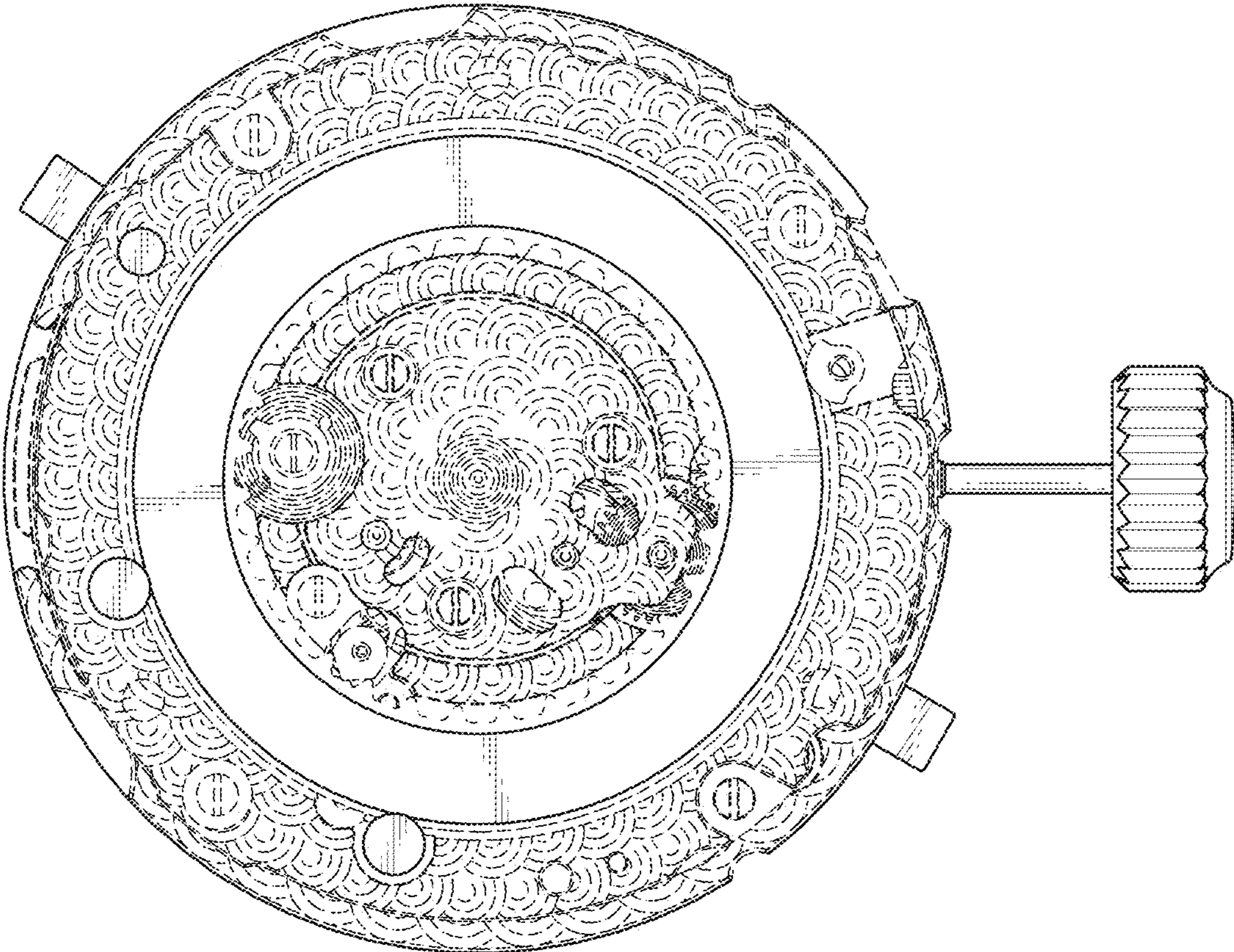


FIG. 3