

US00D894774S

(12) **United States Design Patent** (10) **Patent No.:** **US D894,774 S**
Yu (45) **Date of Patent:** **** Sep. 1, 2020**

(54) **WIFI VIDEO DOORBELL**
(71) Applicant: **Shenzhen Longzhiyuan Technology Co., Ltd., Shenzhen (CN)**
(72) Inventor: **Mengchu Yu, Shenzhen (CN)**
(73) Assignee: **SHENZHEN LONGZHUYUAN TECHNOLOGY CO., LTD., Shenzhen (CN)**

D848,891 S * 5/2019 Paredes D10/118.2
D850,314 S * 6/2019 Laurans D10/118.2
D850,315 S * 6/2019 Laurans D10/118.2
D853,264 S * 7/2019 Laurans D10/118.2
D857,629 S * 8/2019 Taheri D13/119
D858,338 S * 9/2019 Yu D10/118.2
D859,200 S * 9/2019 Siminoff D10/118.2
D860,848 S * 9/2019 Park D10/118.2
D866,379 S * 11/2019 Siminoff D10/118.2
D870,587 S * 12/2019 Siminoff D10/118.2
D871,483 S * 12/2019 Chang D16/203
D874,536 S * 2/2020 Park D16/203
D879,640 S * 3/2020 Jacob D10/118.2

(**) Term: **15 Years**

* cited by examiner

(21) Appl. No.: **29/724,480**

Primary Examiner — George D. Kirschbaum

(22) Filed: **Feb. 14, 2020**

(74) *Attorney, Agent, or Firm* — Dragon Sun Law Firm, PC; Jinggao Li, Esq.

(30) **Foreign Application Priority Data**

Nov. 25, 2019 (CN) 2019 3 0651628

(51) **LOC (12) Cl.** **10-05**

(52) **U.S. Cl.**
USPC **D10/118.2**

(58) **Field of Classification Search**
USPC D10/118.2; D16/203; D13/119
CPC H04N 7/186
See application file for complete search history.

(56) **References Cited**

U.S. PATENT DOCUMENTS

9,894,328 B2 * 2/2018 Siminoff H04N 7/186
D820,136 S * 6/2018 Scalisi D10/118.2
D828,201 S * 9/2018 Jeong D10/118.2
D830,872 S * 10/2018 Jacob D10/118.2
D836,147 S * 12/2018 Rao D16/203
D848,299 S * 5/2019 Li D10/118.2

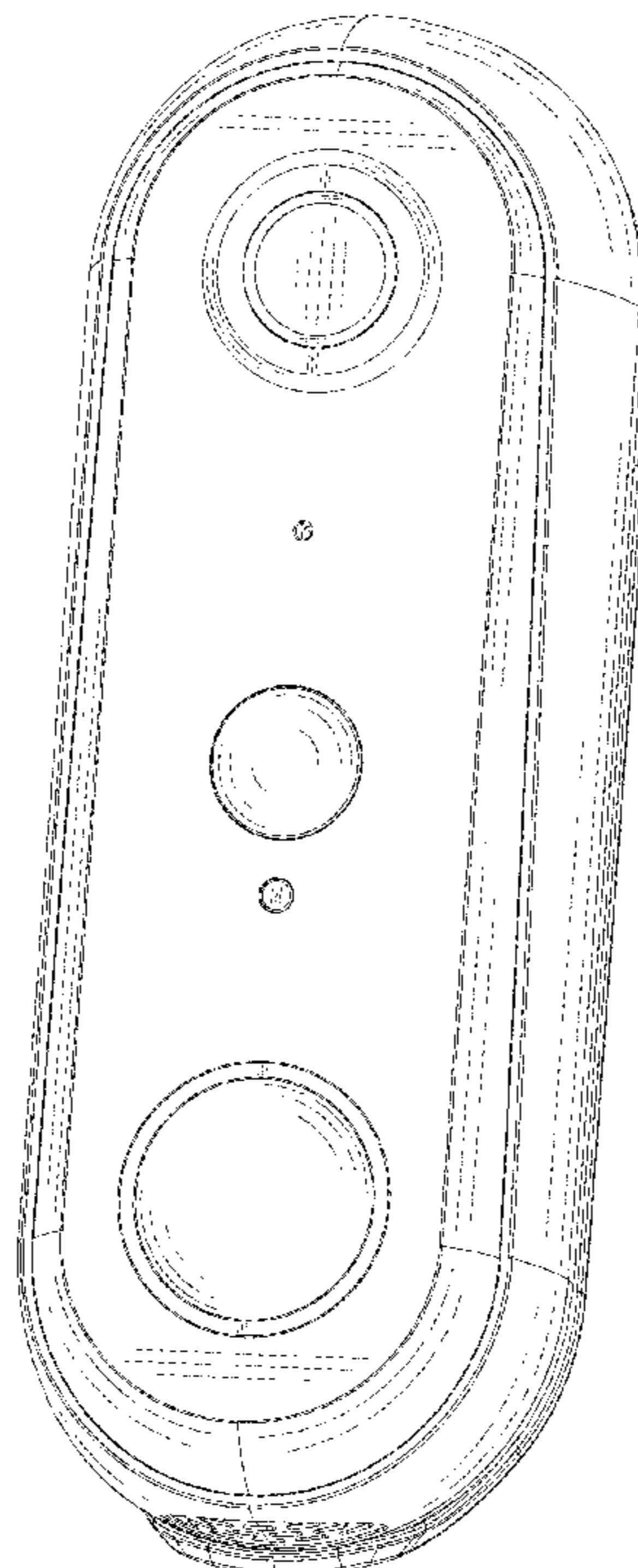
(57) **CLAIM**

The ornamental design for a WiFi video doorbell, as shown and described.

DESCRIPTION

FIG. 1 is a perspective view of a WiFi video doorbell showing my new design;
FIG. 2 is another perspective view thereof;
FIG. 3 is a front elevational view thereof;
FIG. 4 is a back elevational view thereof;
FIG. 5 is a left side view thereof;
FIG. 6 is a right side view thereof;
FIG. 7 is a top plan view thereof; and,
FIG. 8 is a bottom plan view thereof.
The broken lines in the drawings illustrate portions of the WiFi video doorbell and form no part of the claimed design.

1 Claim, 8 Drawing Sheets



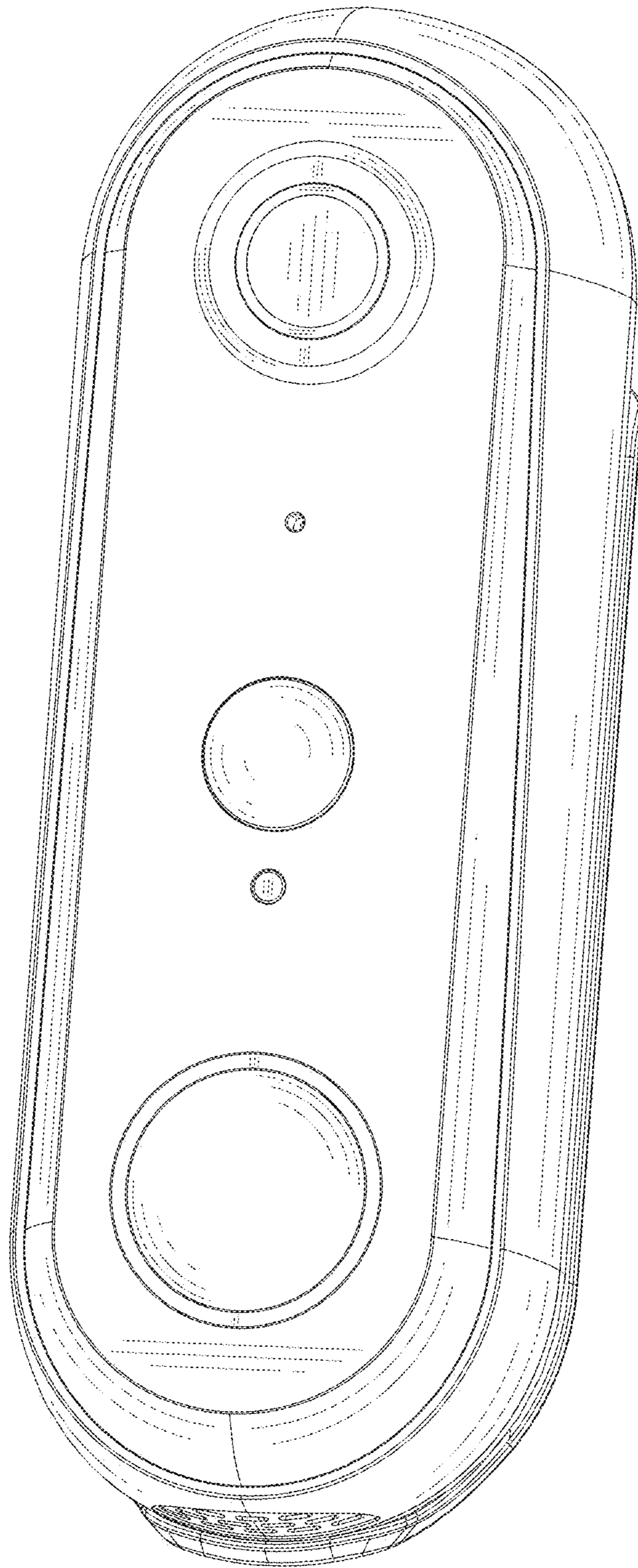


FIG. 1

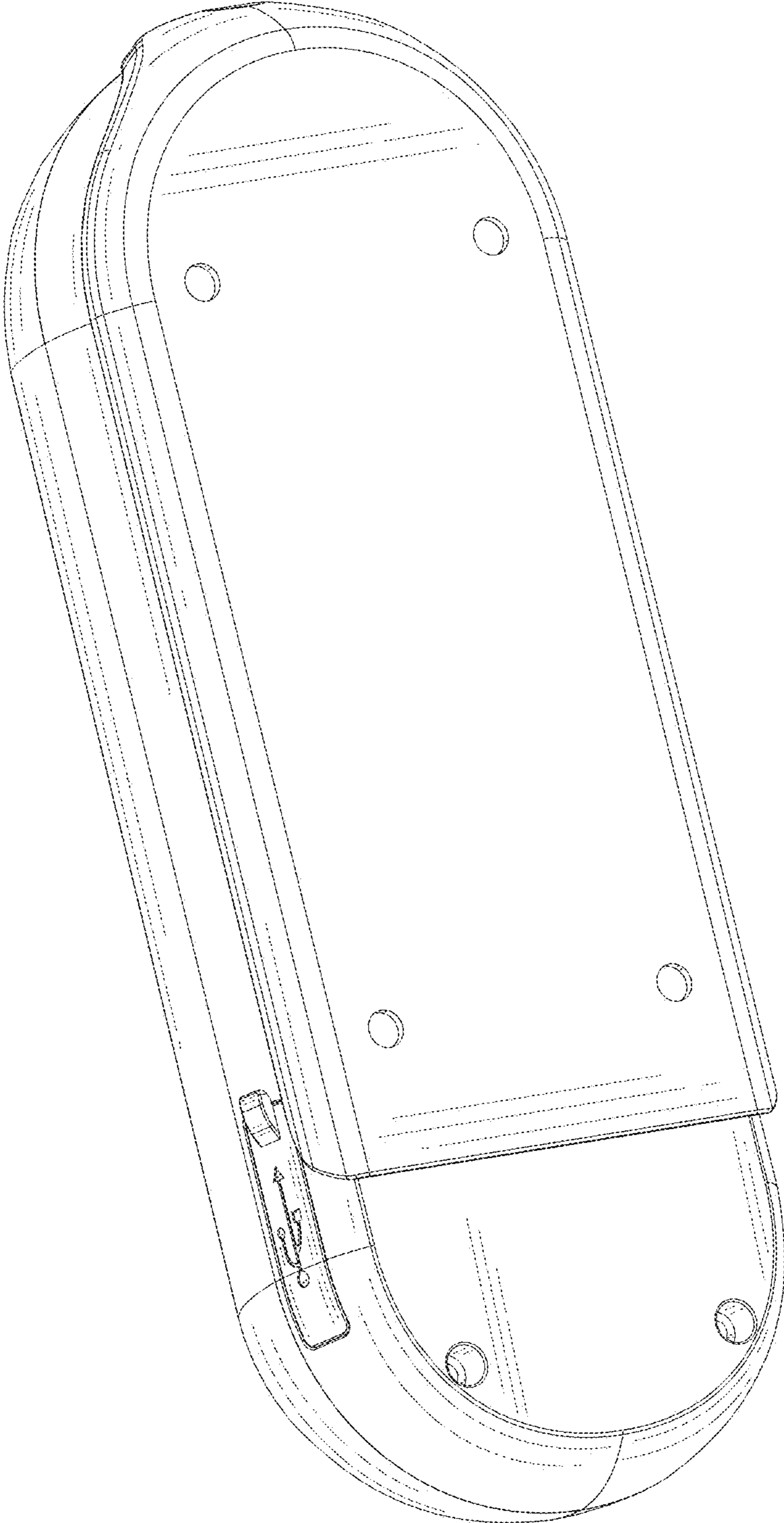


FIG. 2

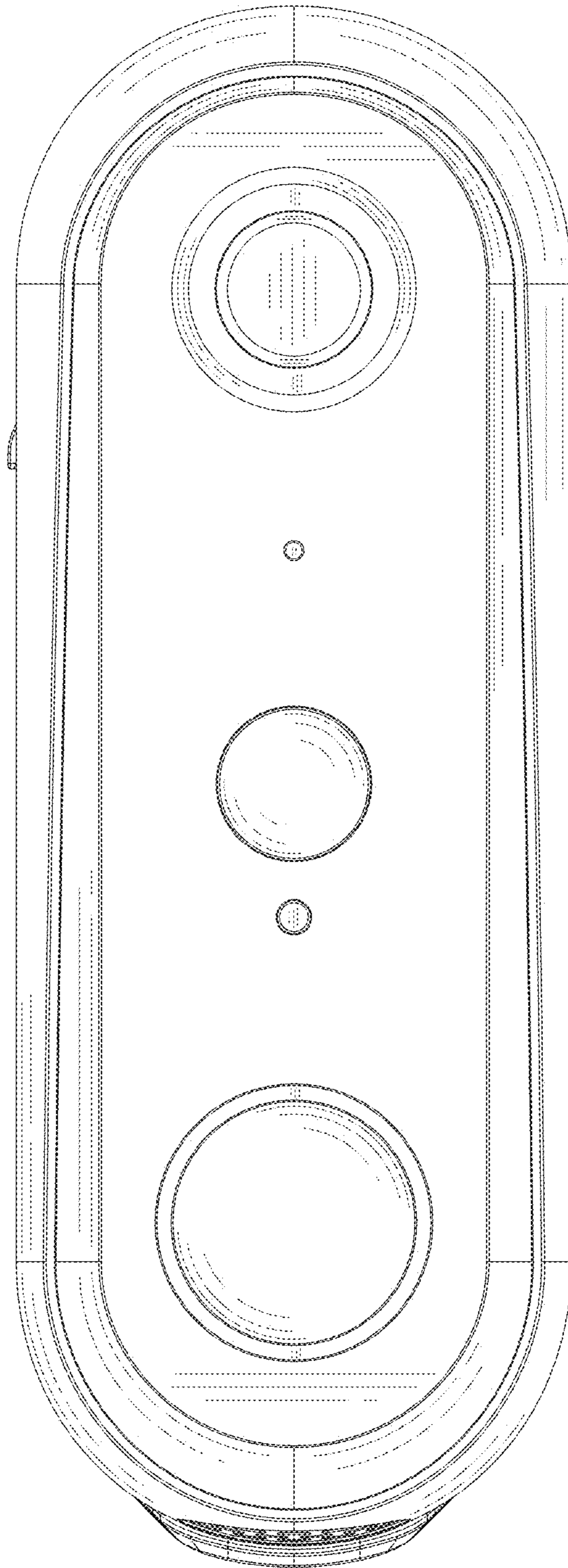


FIG. 3

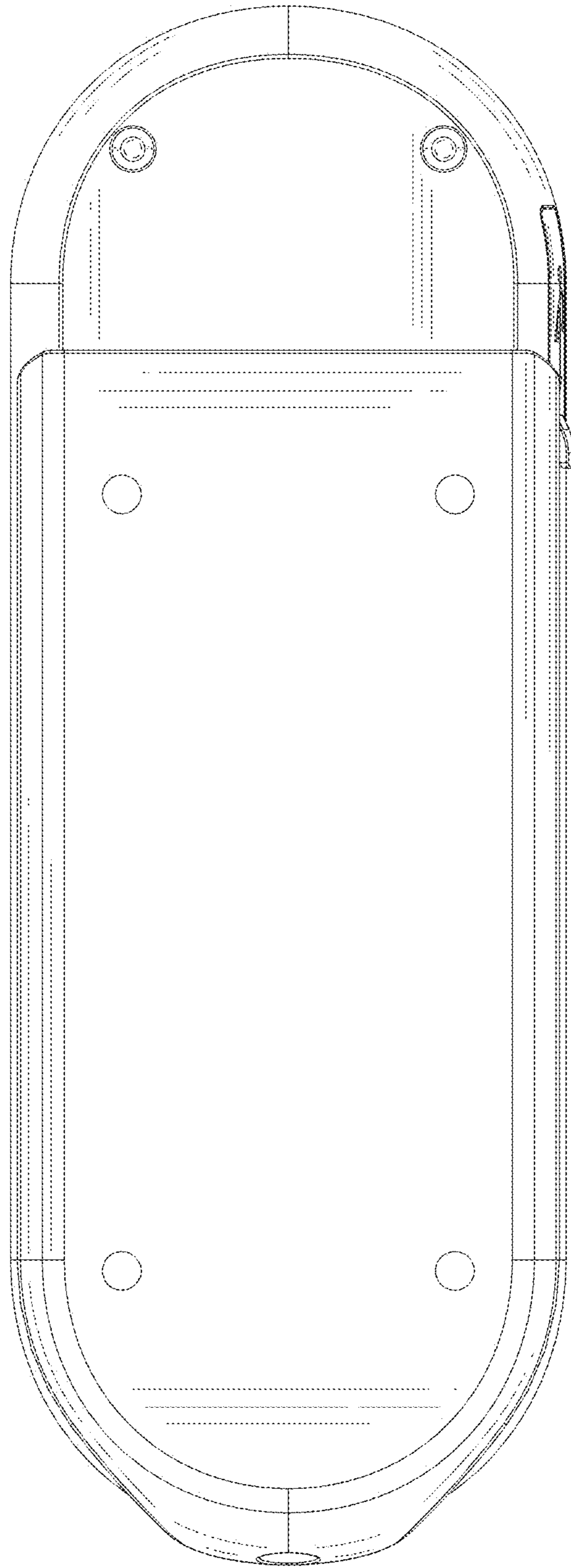


FIG. 4

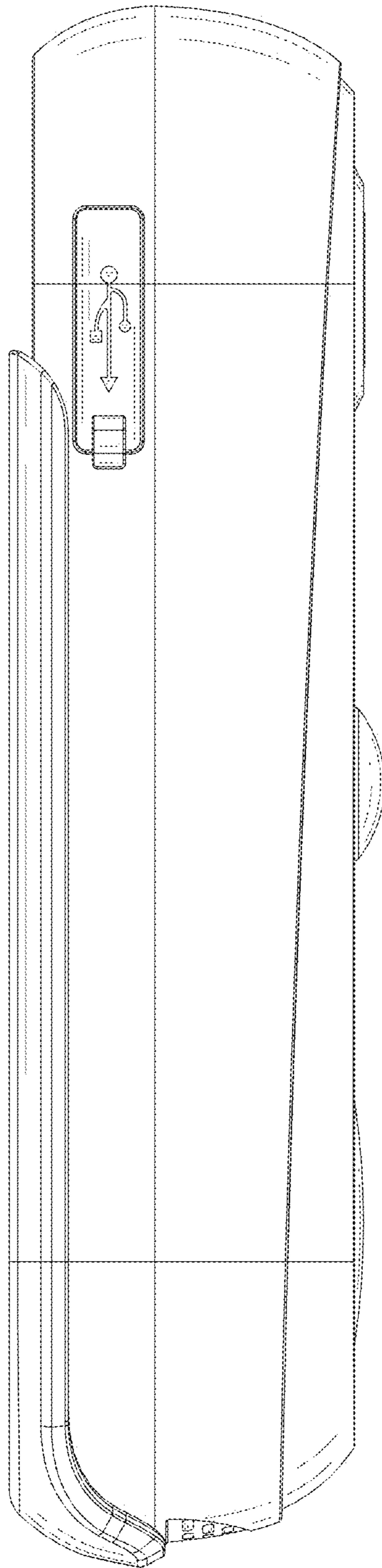


FIG. 5

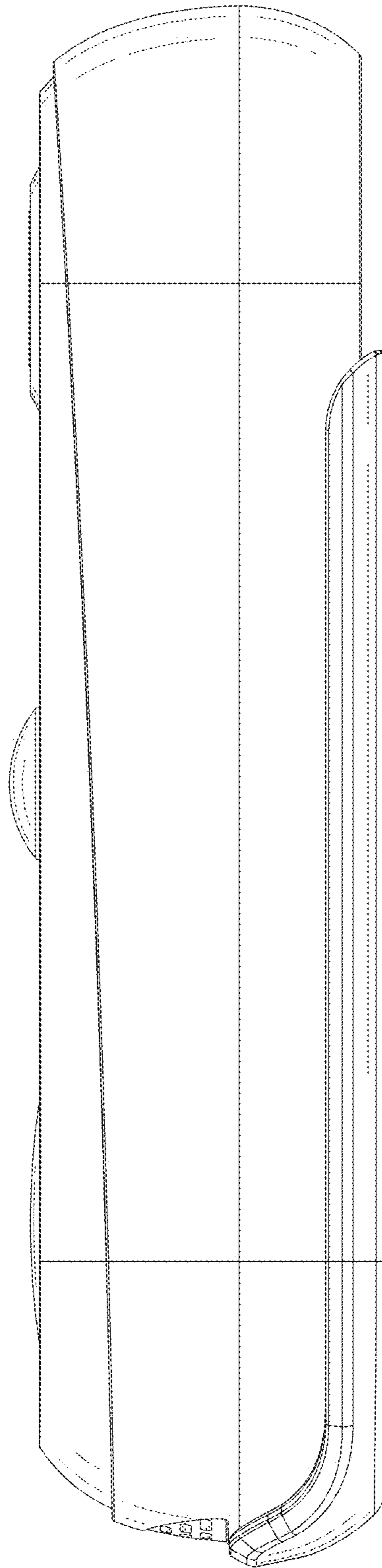


FIG. 6

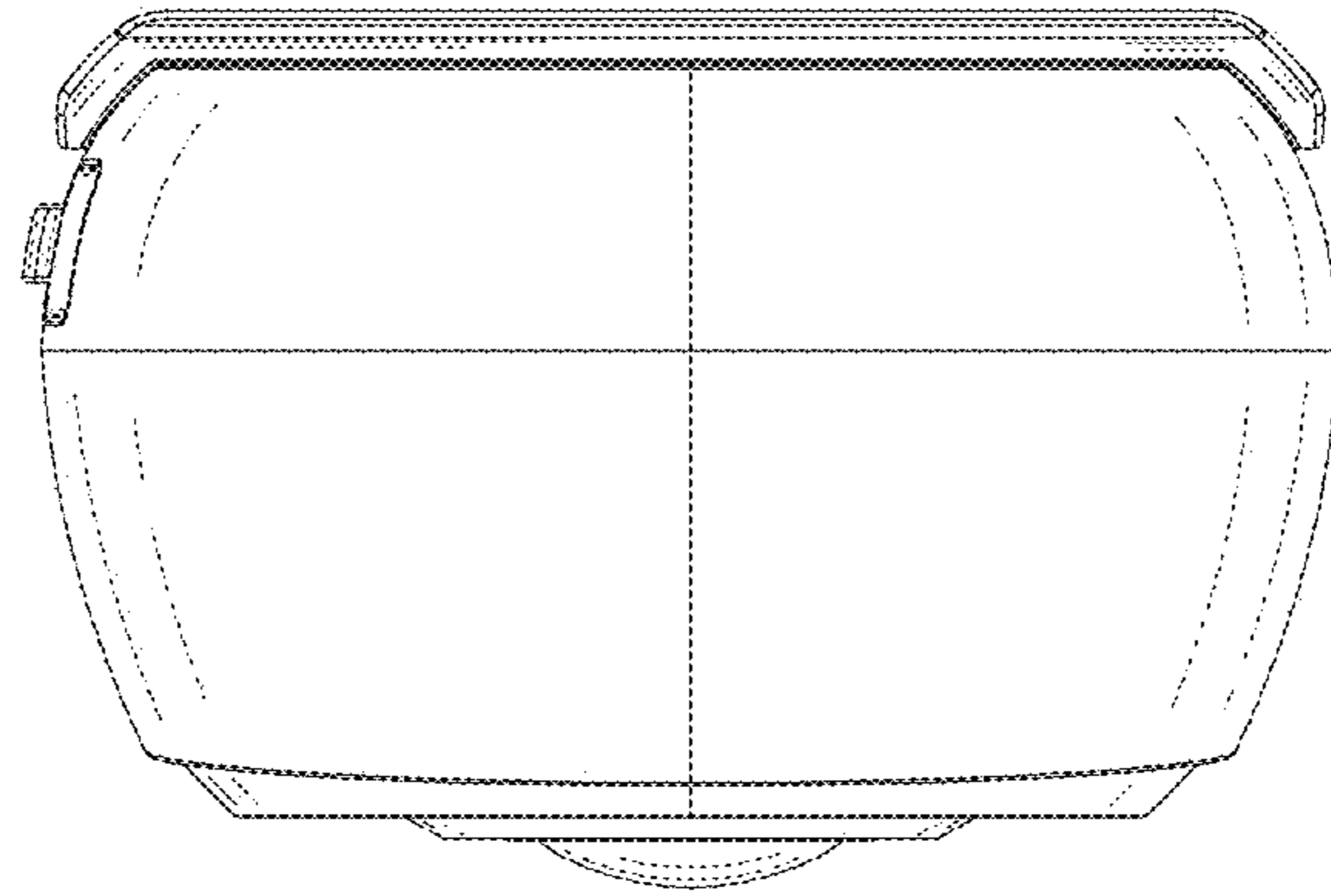


FIG. 7

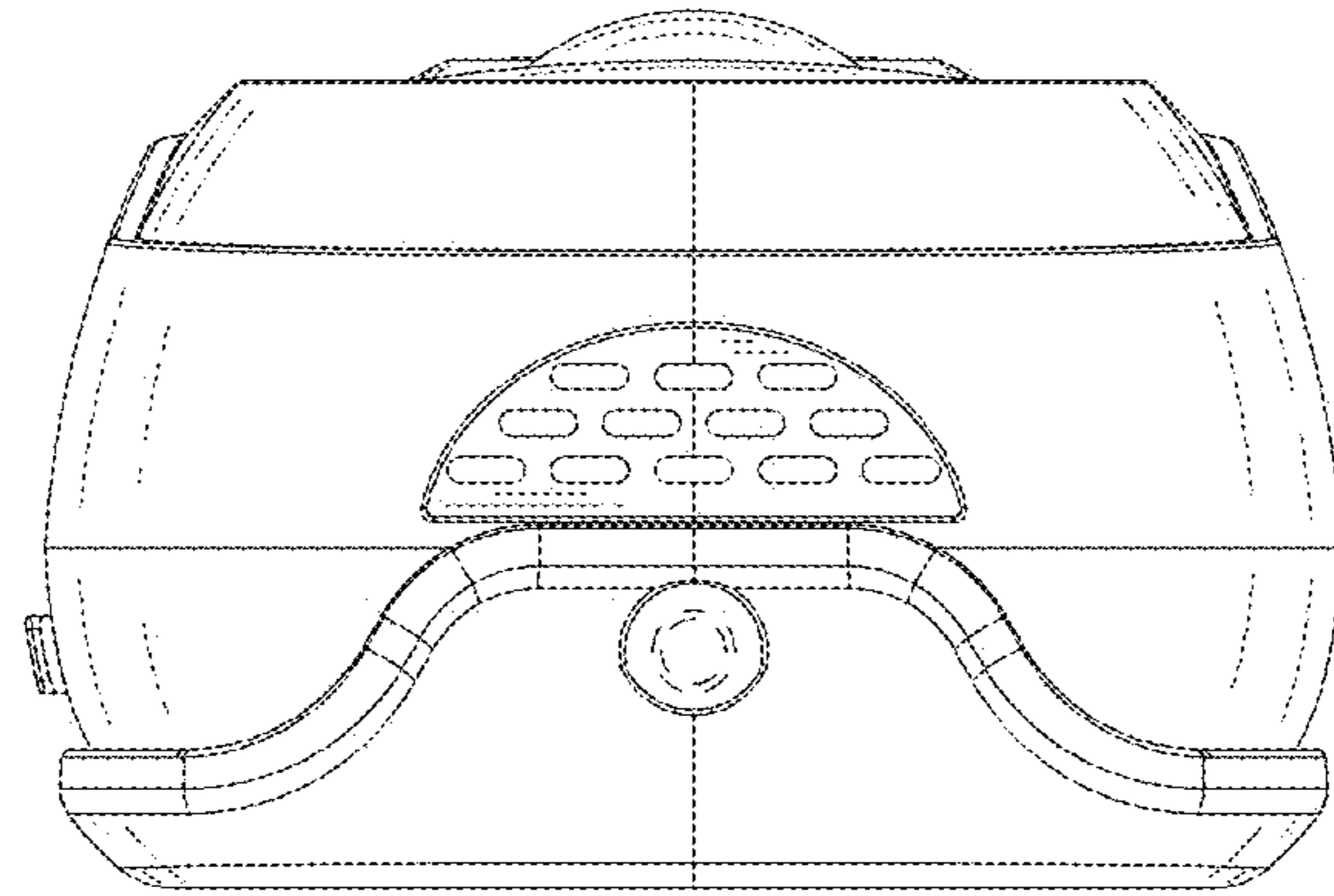


FIG. 8