



US00D894771S

(12) **United States Design Patent**  
**Chen et al.**

(10) **Patent No.:** **US D894,771 S**

(45) **Date of Patent:** **\*\* Sep. 1, 2020**

(54) **PRESENCE DETECTOR**

(71) Applicant: **QBIC TECHNOLOGY CO., LTD.**,  
New Taipei (TW)

(72) Inventors: **Yi-Hsin Chen**, New Taipei (TW);  
**Chun-Chih Chen**, New Taipei (TW);  
**Ren-Yin Wu Ji**, New Taipei (TW)

(73) Assignee: **QBIC TECHNOLOGY CO., LTD.**  
(TW)

(\*\*) Term: **15 Years**

(21) Appl. No.: **29/689,430**

(22) Filed: **Apr. 30, 2019**

(51) **LOC (12) Cl.** ..... **10-05**

(52) **U.S. Cl.**  
USPC ..... **D10/106.5; D10/106.6**

(58) **Field of Classification Search**  
USPC ..... D10/52-56, 104.1, 104.2, 106.1-106.95,  
D10/108, 121, 123, 124, 125  
CPC ..... G08B 17/00; G08B 17/06; G08B 17/10;  
G08B 17/11; G08B 17/12; G08B 17/103;  
G08B 17/107; G08B 21/0438; G08B  
21/0461; G08B 21/0469; G08B 21/0492  
See application file for complete search history.

(56) **References Cited**

**U.S. PATENT DOCUMENTS**

D487,405 S \* 3/2004 Job ..... D10/106.5  
D756,828 S \* 5/2016 Wettre ..... D10/106.5

D773,332 S \* 12/2016 Kalyan ..... D10/106.5  
D851,529 S \* 6/2019 Brainard ..... D10/106.5  
D853,263 S \* 7/2019 Mochida ..... D10/106.5  
D860,843 S \* 9/2019 Mochida ..... D10/106.5

\* cited by examiner

*Primary Examiner* — George D. Kirschbaum

*Assistant Examiner* — Joseph J Kukella

(74) *Attorney, Agent, or Firm* — Schmeisser, Olsen &  
Watts, LLP

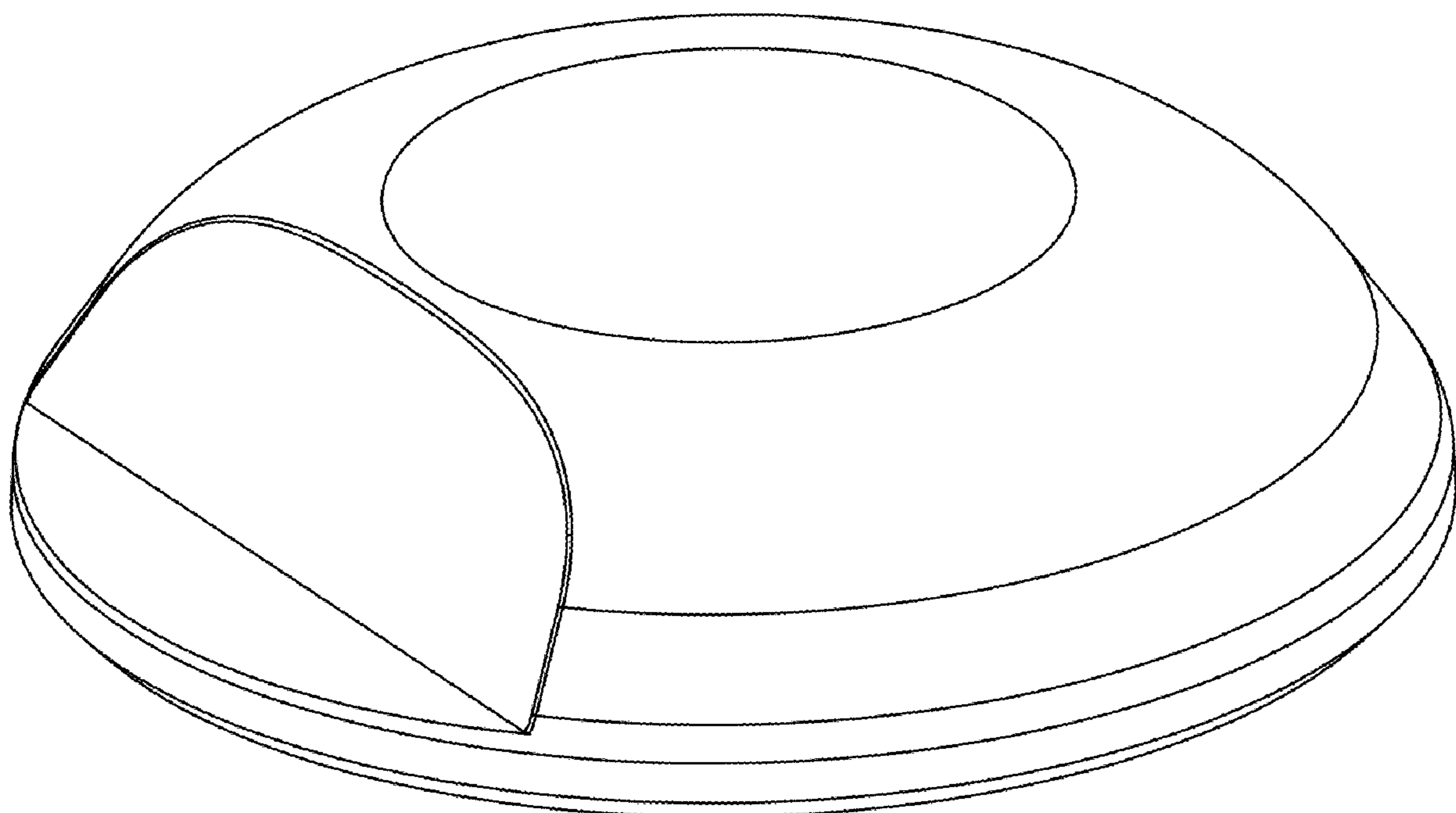
(57) **CLAIM**

The ornamental design for a presence detector, as shown and described.

**DESCRIPTION**

FIG. 1 is a perspective view of a presence detector showing our new design;  
FIG. 2 is a front elevation view thereof;  
FIG. 3 is a rear elevation view thereof;  
FIG. 4 is a left side elevation view thereof;  
FIG. 5 is a right side elevation view thereof;  
FIG. 6 is a top plan view thereof;  
FIG. 7 is a bottom plan view thereof;  
FIG. 8 is a perspective view of an embodiment of a presence detector showing our new design; and,  
FIG. 9 is a perspective view of another embodiment of a presence detector showing our new design.  
The broken lines shown in FIGS. 8 and 9 depict portions of the presence detector that form no part of the claimed design.

**1 Claim, 7 Drawing Sheets**



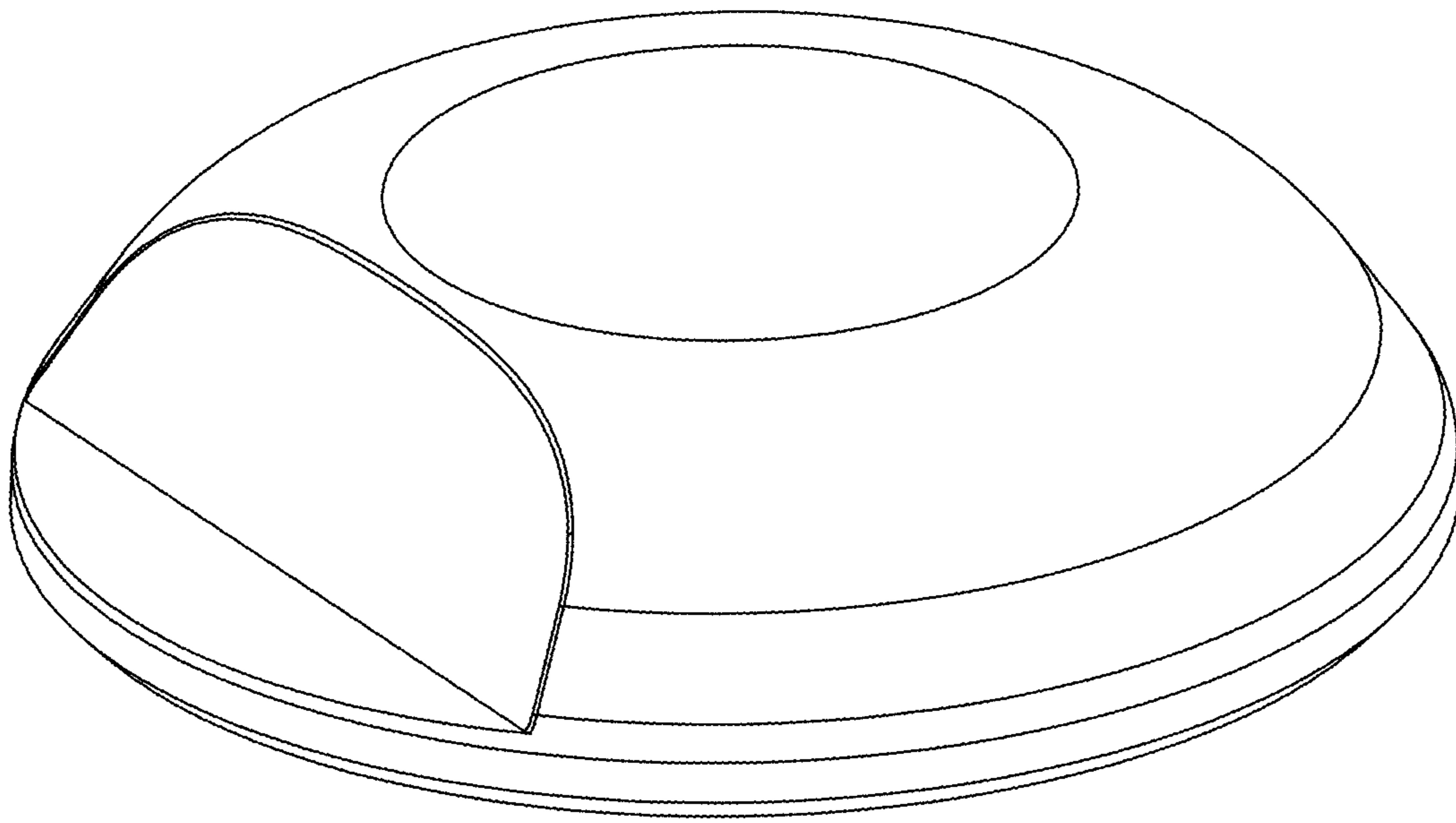


FIG. 1

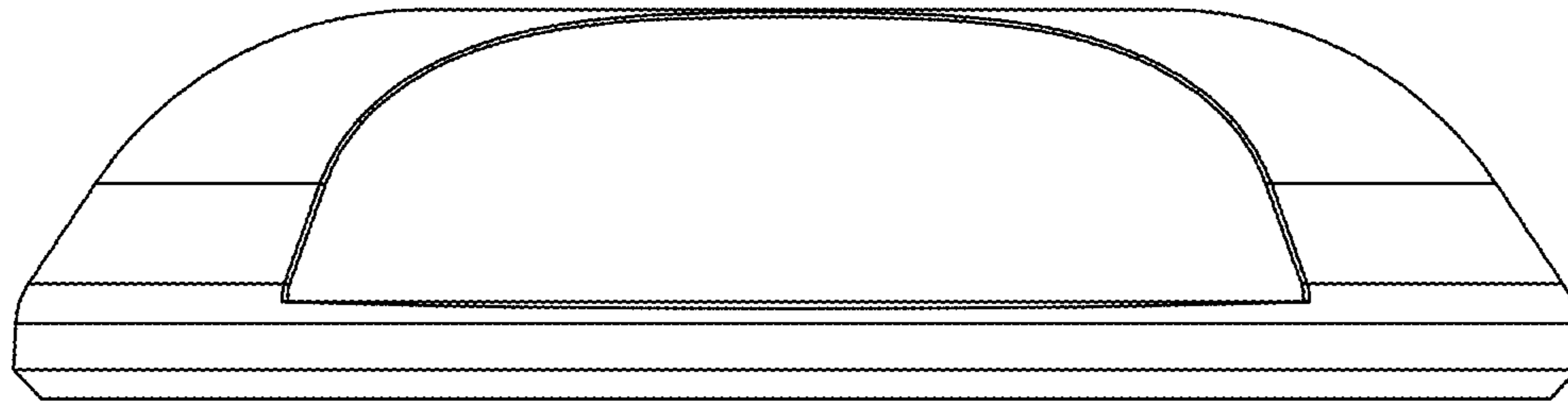


FIG. 2

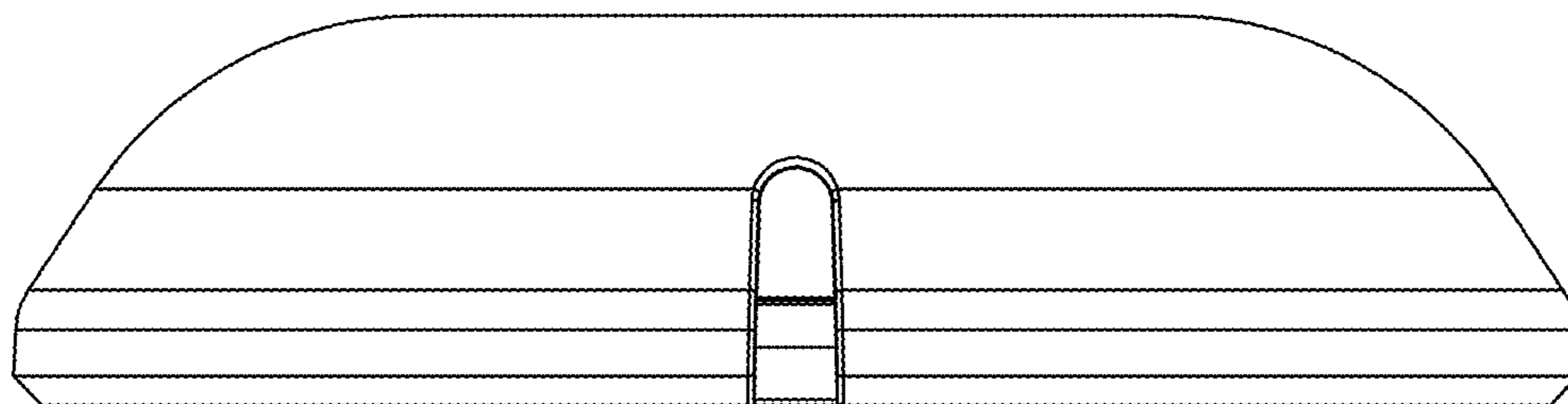


FIG. 3

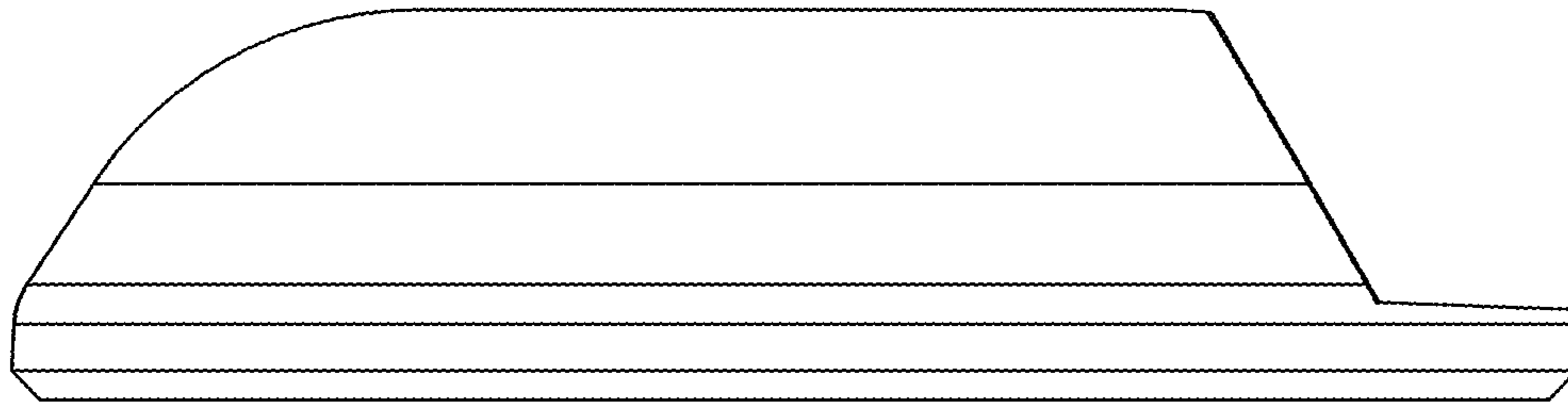


FIG. 4

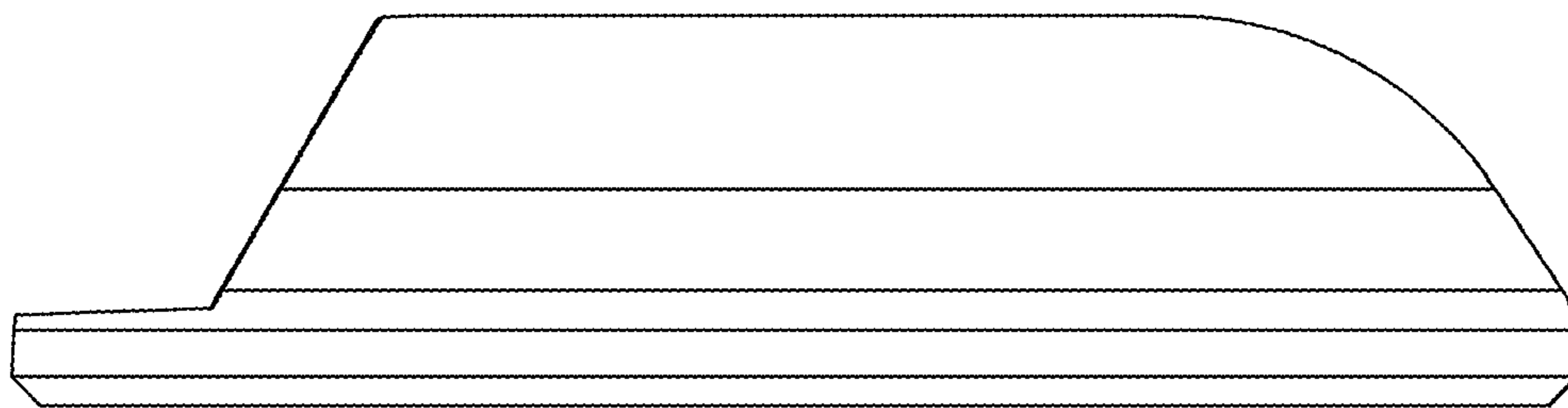


FIG. 5

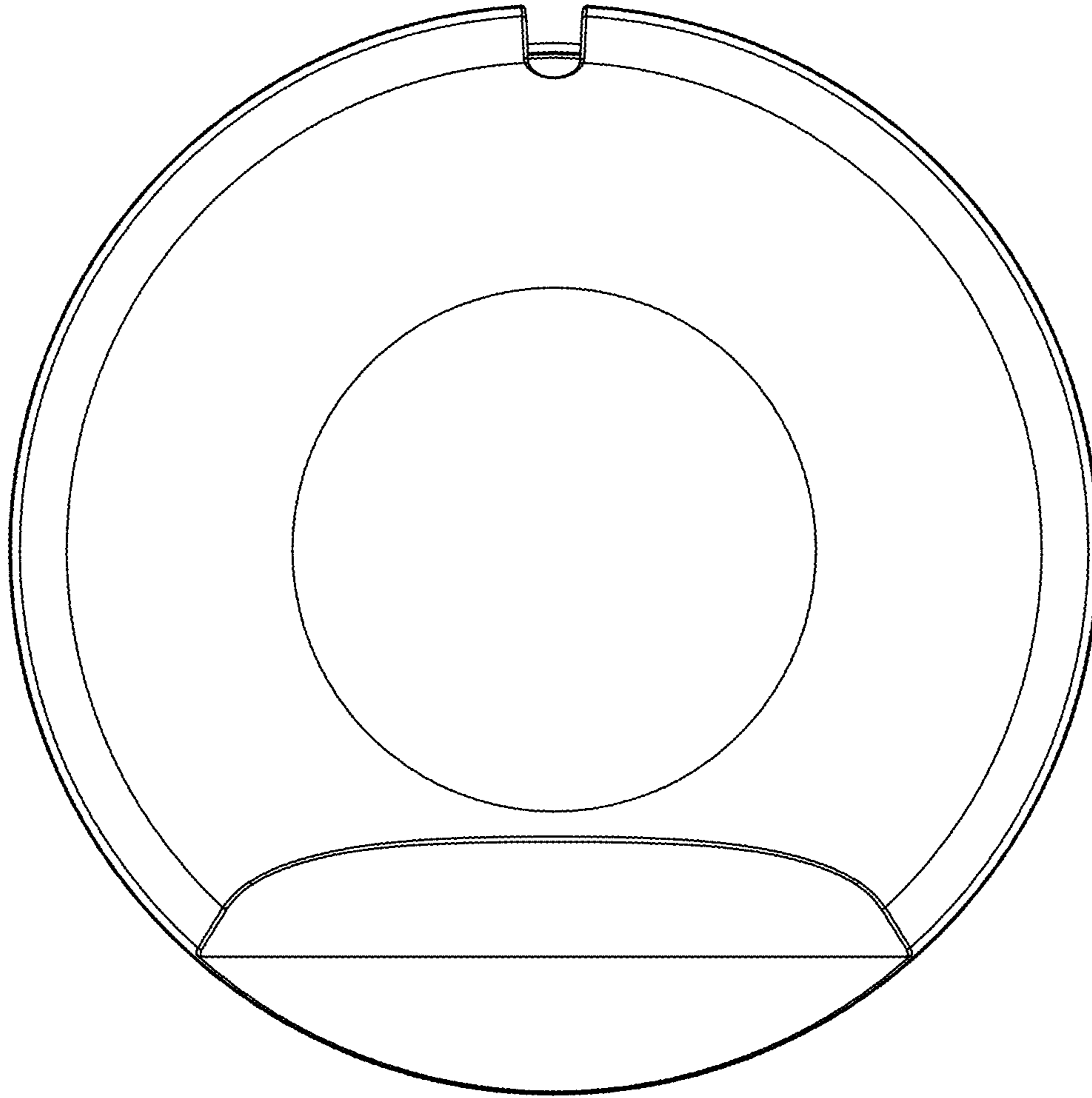


FIG. 6

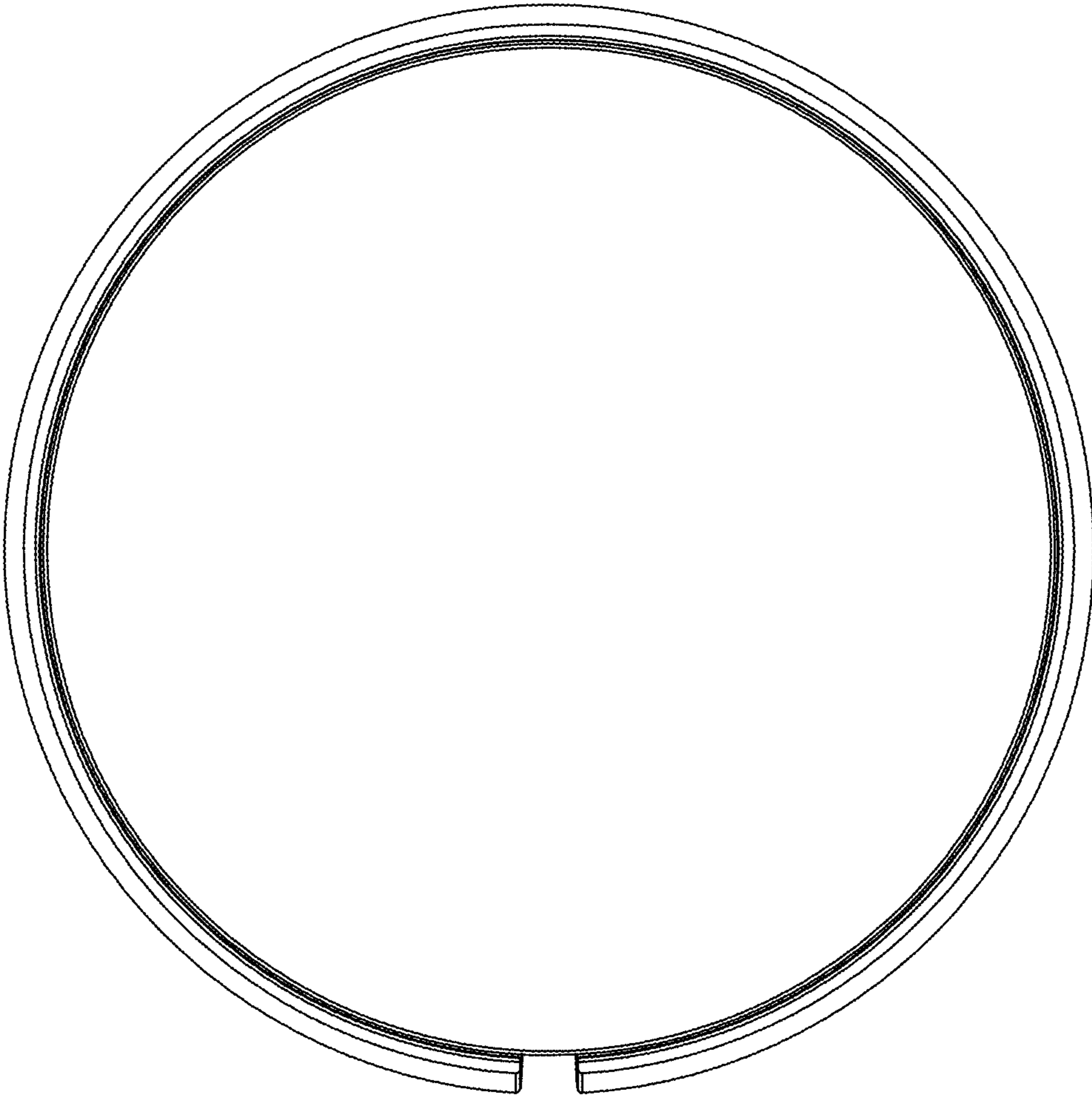


FIG. 7

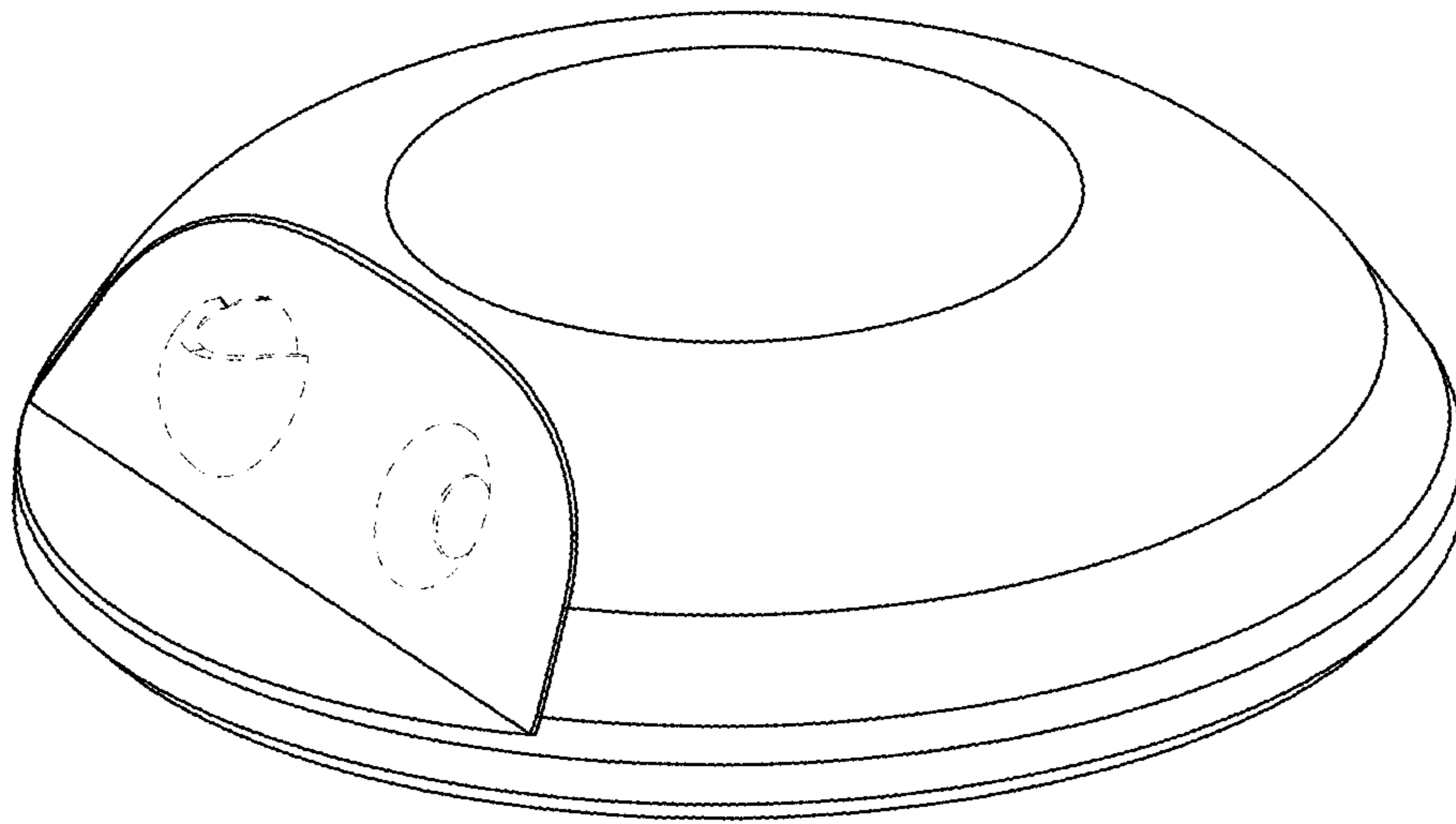


FIG. 8

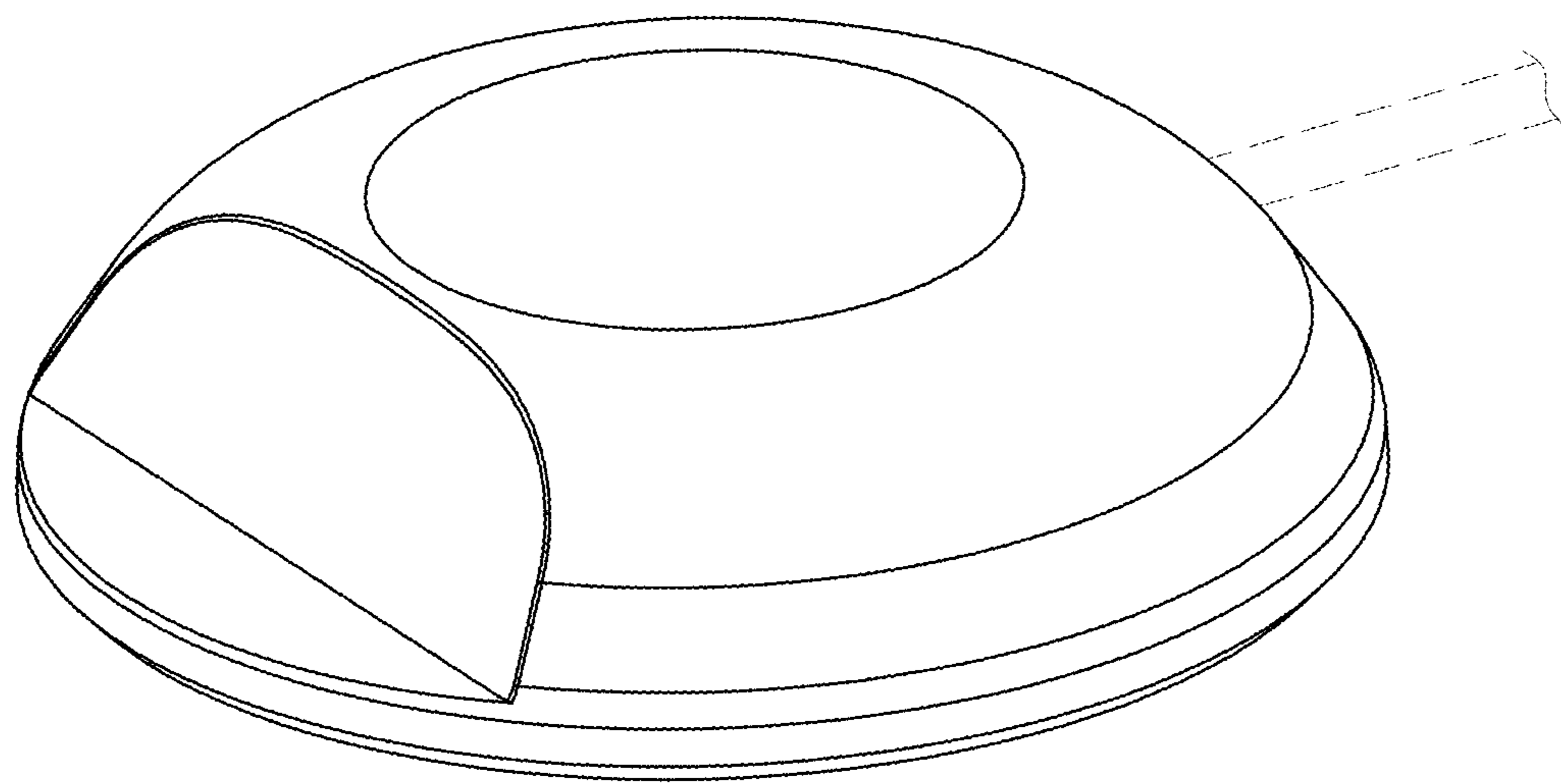


FIG. 9