



US00D894770S

(12) **United States Design Patent**
Jackson et al.

(10) **Patent No.:** **US D894,770 S**

(45) **Date of Patent:** **** Sep. 1, 2020**

(54) **SENSOR POD**

(71) Applicant: **Valeo North America, Inc.**, Troy, MI (US)

(72) Inventors: **Clarence Jackson**, Auburn Hills, MI (US); **Satish Nadella**, Auburn Hills, MI (US); **Peter Brookes**, Auburn Hills, MI (US)

(73) Assignee: **Valeo North America, Inc.**, Troy, MI (US)

(**) Term: **15 Years**

(21) Appl. No.: **29/675,959**

(22) Filed: **Jan. 7, 2019**

(51) **LOC (12) Cl.** **12-16**

(52) **U.S. Cl.**
USPC **D10/103; D12/413**

(58) **Field of Classification Search**
USPC D10/46, 103; D12/406, 412, 413
CPC .. B60R 9/04; B60R 9/048; B60R 9/05; B60R 11/04; B60R 2011/004; B60R 2011/0042; B60R 11/0258; G01S 7/4813; G01S 17/04; G01S 17/88; G01S 17/931; G01S 17/86; G01S 13/86
See application file for complete search history.

(56) **References Cited**

U.S. PATENT DOCUMENTS

10,302,744 B1 * 5/2019 Krishnan G01S 17/04

OTHER PUBLICATIONS

U.S. Patent Application in corresponding U.S. Appl. No. 16/709,236, filed Dec. 10, 2019 (33 pages).

* cited by examiner

Primary Examiner — Antoine Duval Davis

(74) *Attorney, Agent, or Firm* — Osha Liang LLP

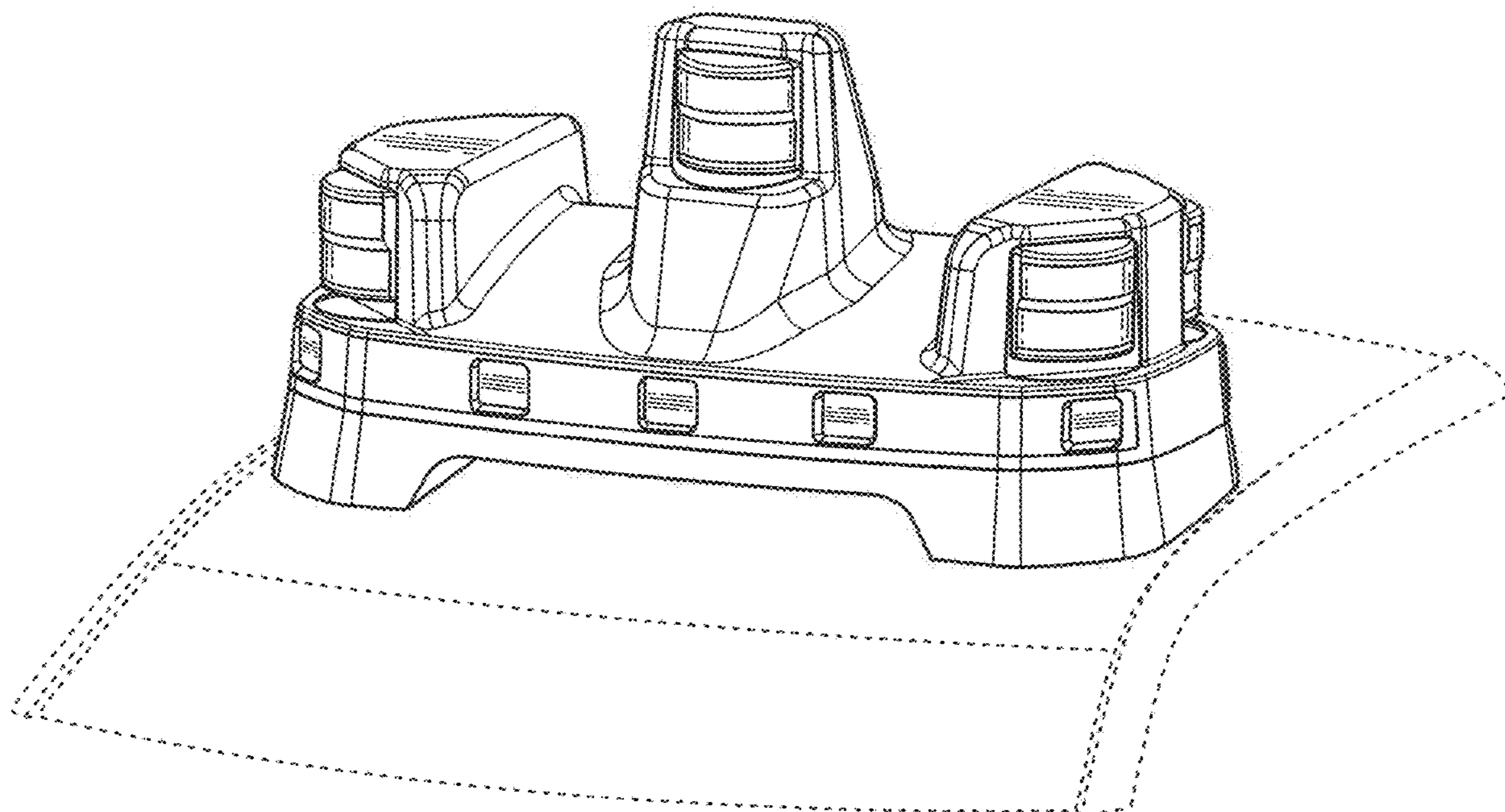
(57) **CLAIM**

The ornamental design for a sensor pod, as shown and described.

DESCRIPTION

FIG. 1 is a perspective view of a sensor pod; FIG. 2 is a front view of the sensor pod of FIG. 1; FIG. 3 is a back view of the sensor pod of FIG. 1; FIG. 4 is a first side view of the sensor pod of FIG. 1; FIG. 5 is a second side view of the sensor pod of FIG. 1; FIG. 6 is a top view of the sensor pod of FIG. 1; and, FIG. 7 is a bottom view of the sensor pod of FIG. 1. The dashed lines illustrate portions of the sensor pod that form no part of the claimed design. The dot-dash lines illustrate features of the sensor pod which cannot be seen in the given view.

1 Claim, 7 Drawing Sheets



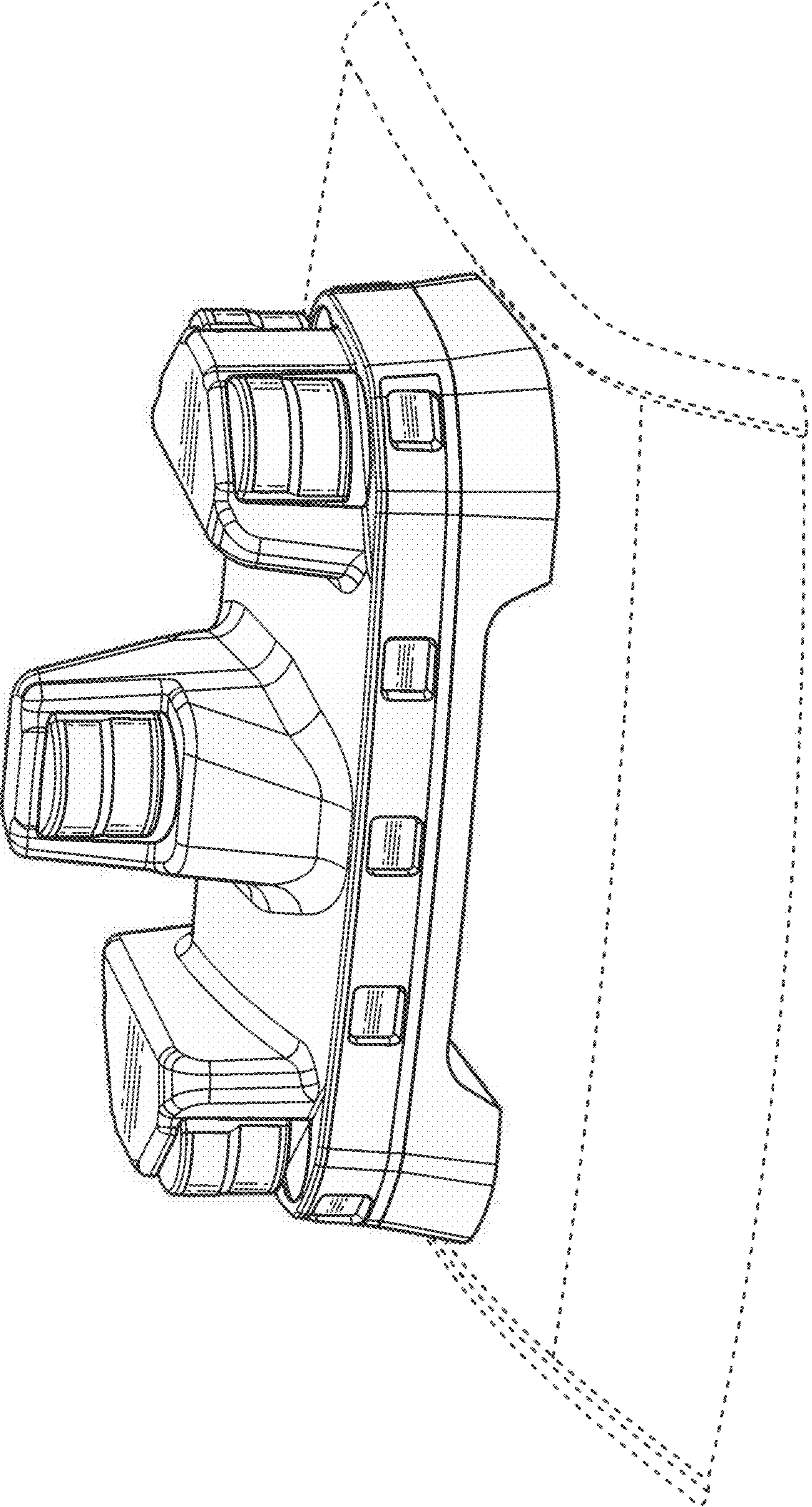


FIG. 1

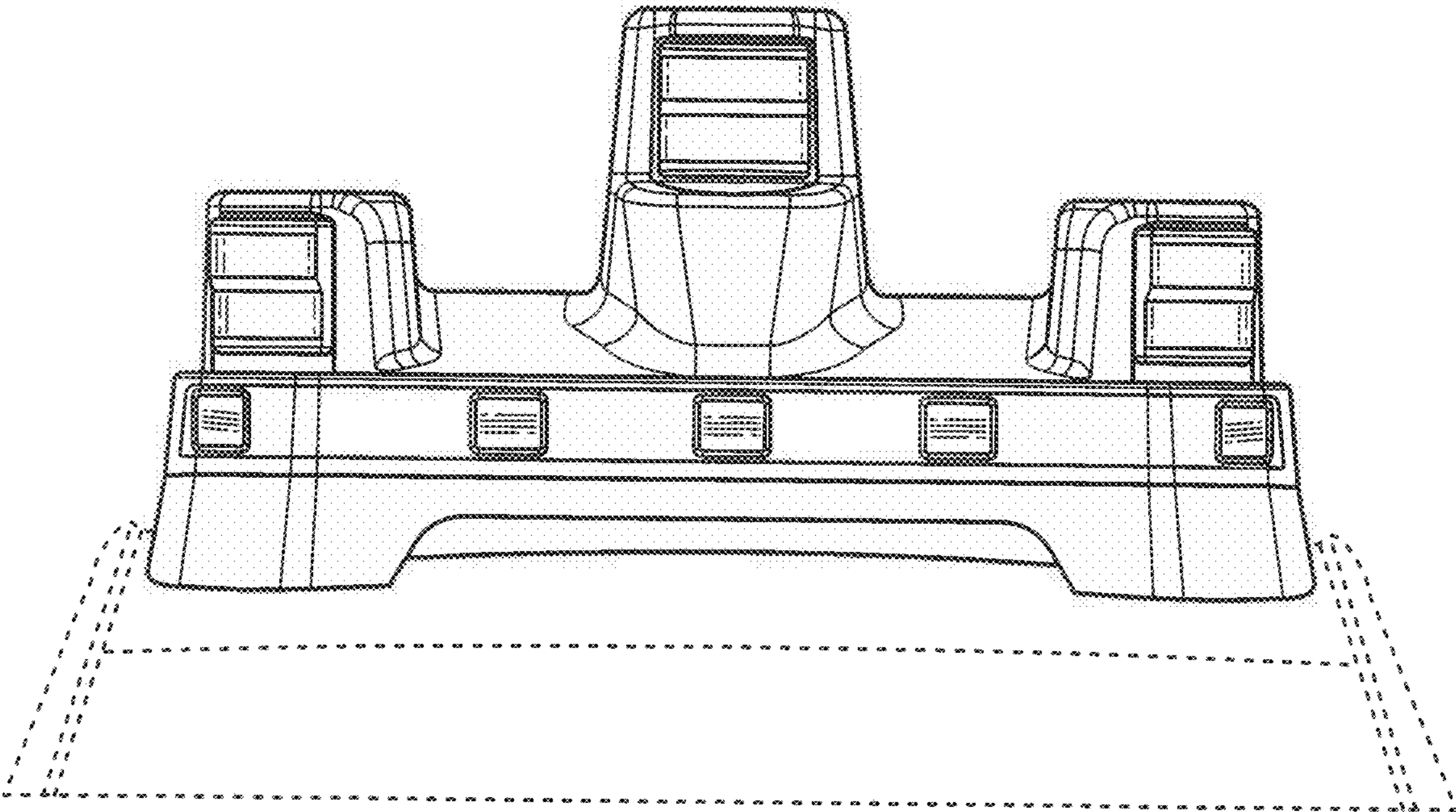


FIG. 2

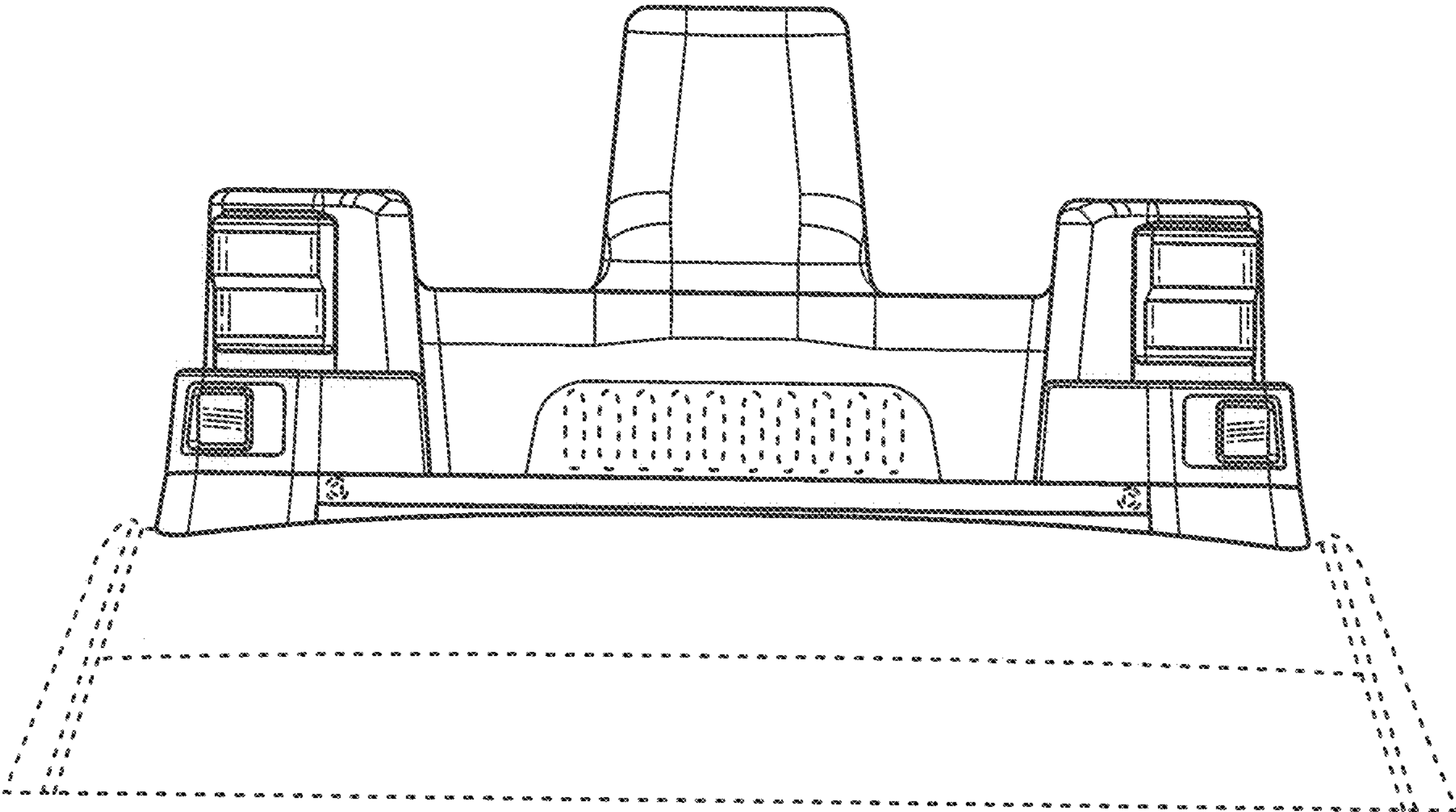


FIG. 3

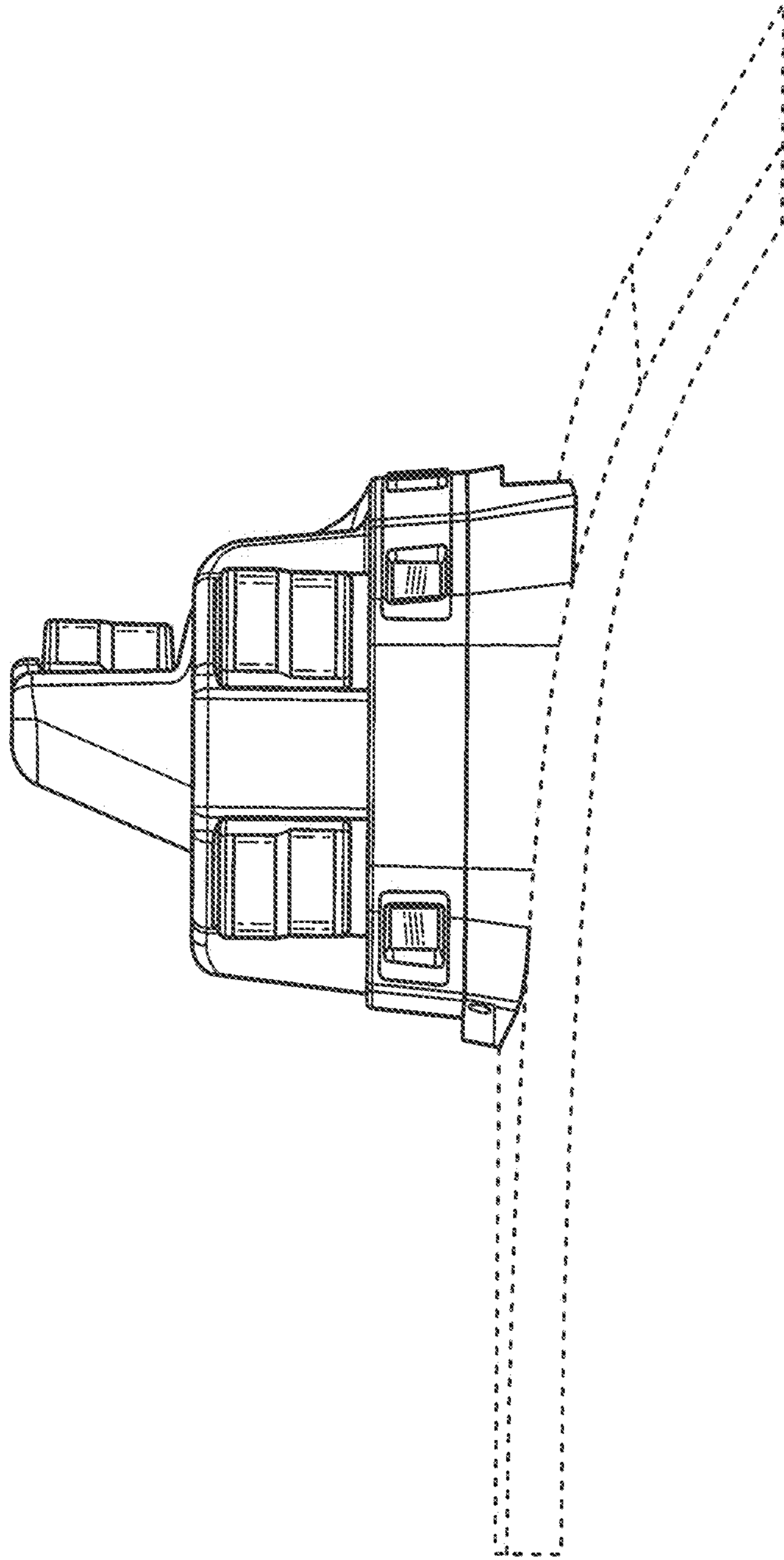


FIG. 4

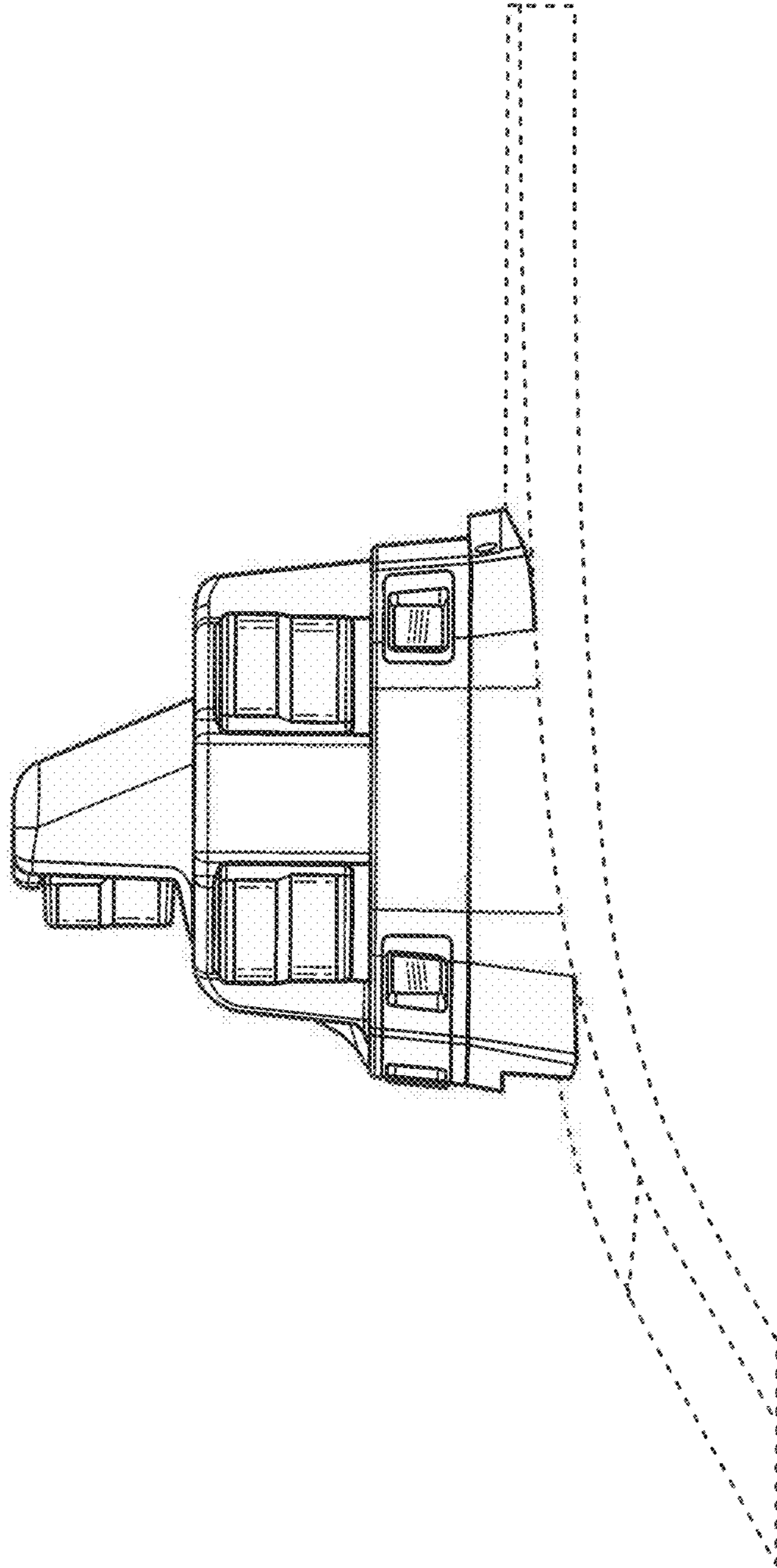


FIG. 5

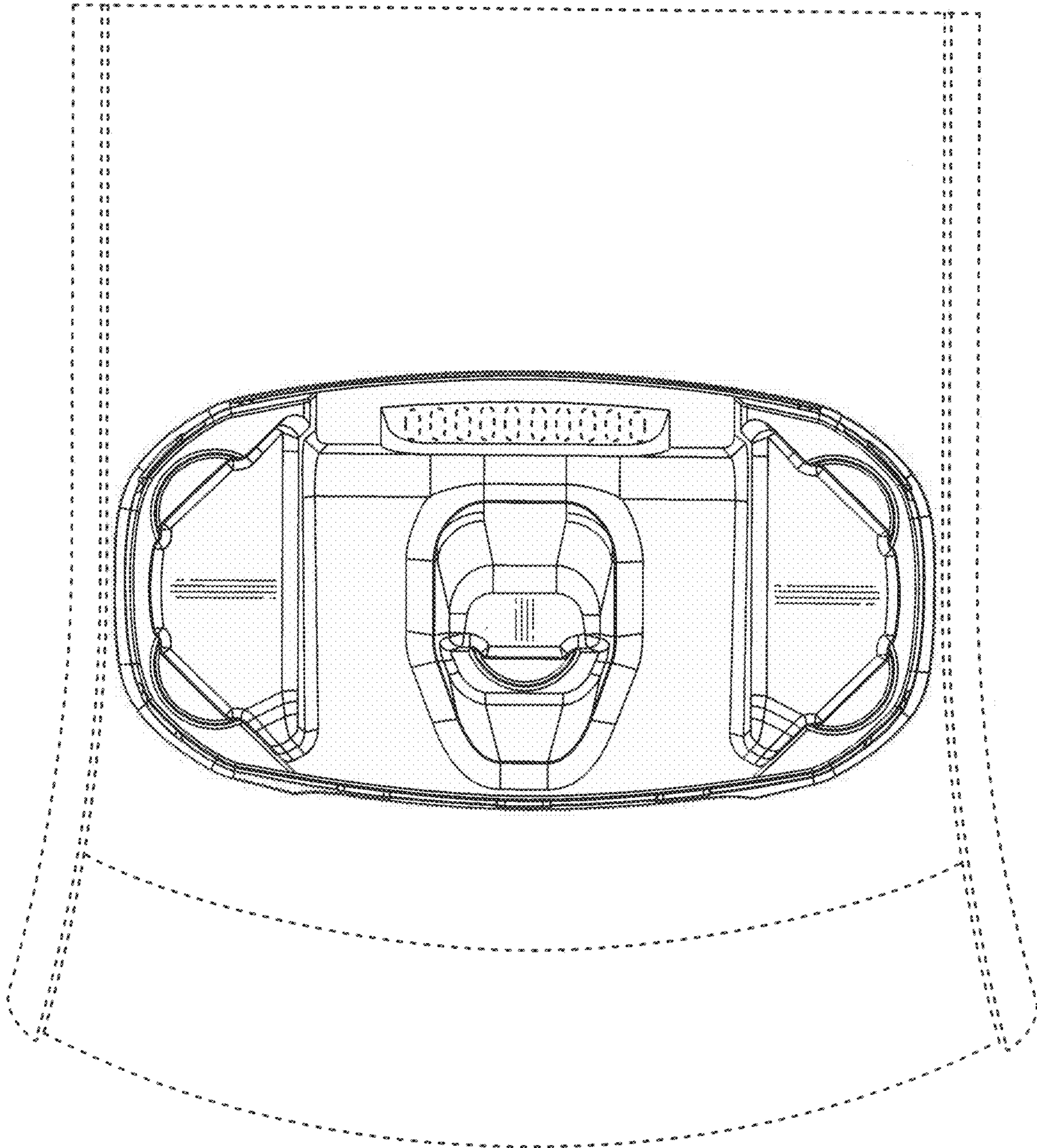


FIG. 6

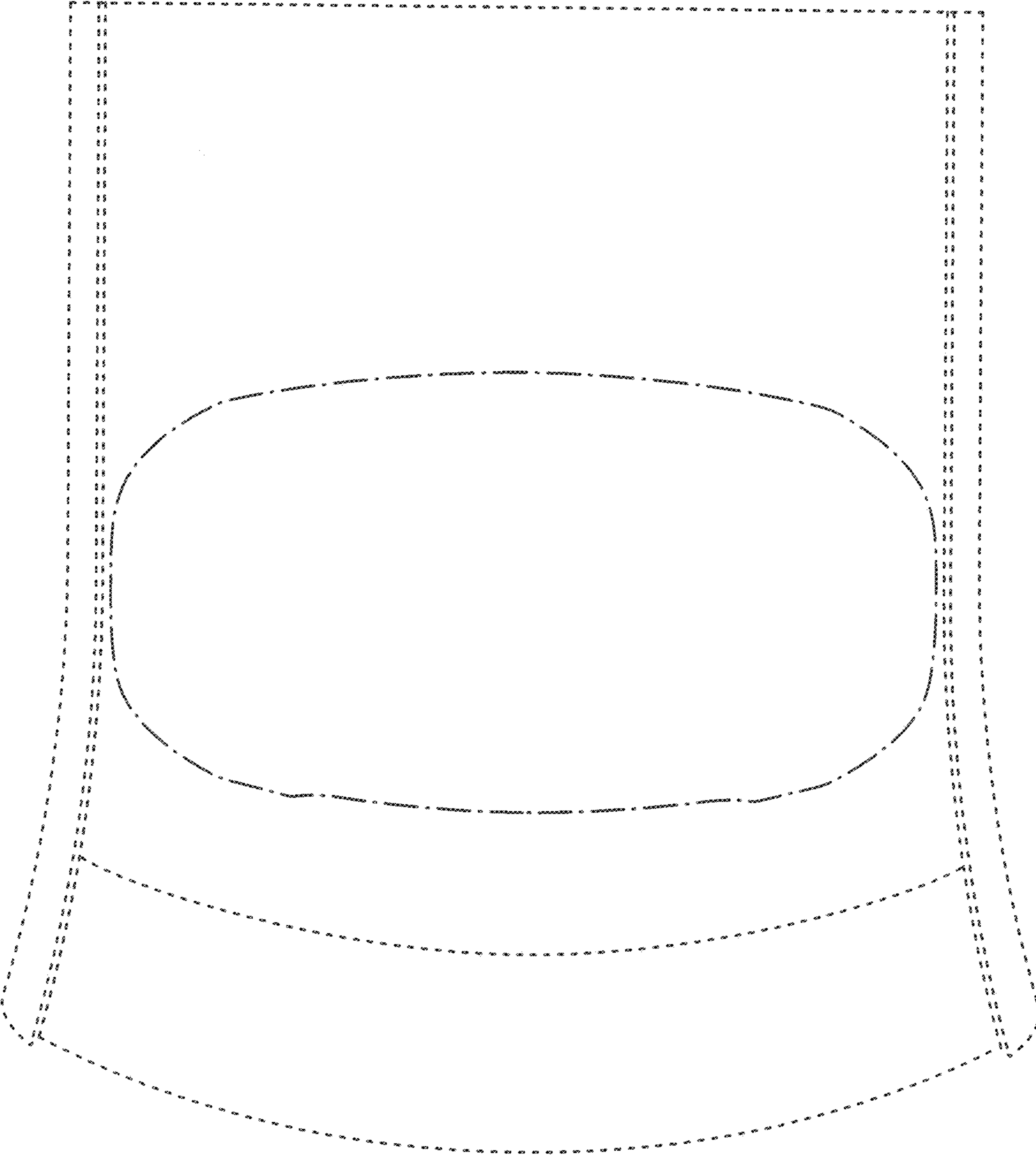


FIG. 7