

US00D894769S

(12) **United States Design Patent** (10) **Patent No.:** **US D894,769 S**
Rowland (45) **Date of Patent:** **** Sep. 1, 2020**

(54) **METERING PUMP**
(71) Applicant: **Brightwell Dispensers Limited,**
Newhaven (GB)
(72) Inventor: **James Rowland,** Newhaven (GB)
(73) Assignee: **Brightwell Dispensers Limited,**
Newhaven (GB)

D711,270 S * 8/2014 McLean D10/100
D712,933 S * 9/2014 DeOreo D15/7
D740,698 S * 10/2015 Cummings D10/49
D742,137 S * 11/2015 Criswell D6/544
D750,982 S * 3/2016 Gordon D10/65
D763,714 S * 8/2016 Huang D10/78
D766,117 S * 9/2016 Wong D10/78

(Continued)

(**) Term: **15 Years**
(21) Appl. No.: **29/557,697**
(22) Filed: **Mar. 10, 2016**

(30) **Foreign Application Priority Data**
Sep. 11, 2015 (EM) 2771253-0004
(51) **LOC (12) Cl.** **10-04**
(52) **U.S. Cl.**
USPC **D10/99**
(58) **Field of Classification Search**
USPC D10/46, 46.1, 49, 52, 56, 60, 61, 62, 65,
D10/70, 71, 74, 78, 80, 96, 97, 99, 100,
D10/103; D15/7, 8, 9; D24/108, 111,
D24/164, 169
CPC F04B 25/00; F04B 27/00; F04B 33/00;
F04B 35/00; F04B 37/00; F04B 39/00;
F04B 39/12; F04B 39/121; F04B 39/122;
F04B 39/123; F04B 39/125; F04B
39/126; F04B 39/127; F04B 39/128
See application file for complete search history.

(56) **References Cited**
U.S. PATENT DOCUMENTS
D548,751 S * 8/2007 Snider D15/7
D586,463 S * 2/2009 Evans D24/111
D682,318 S * 5/2013 Goh D15/9
D707,145 S * 6/2014 McLean D10/100

OTHER PUBLICATIONS

“NPL 1,” available Sep. 14, 2018, [online], [site visited Sep. 14, 2018]. Available from Internet, <URL:https://www.brightwell-inc.com/showcase/ecomulti-compact.html> (Year: 2018).*

(Continued)

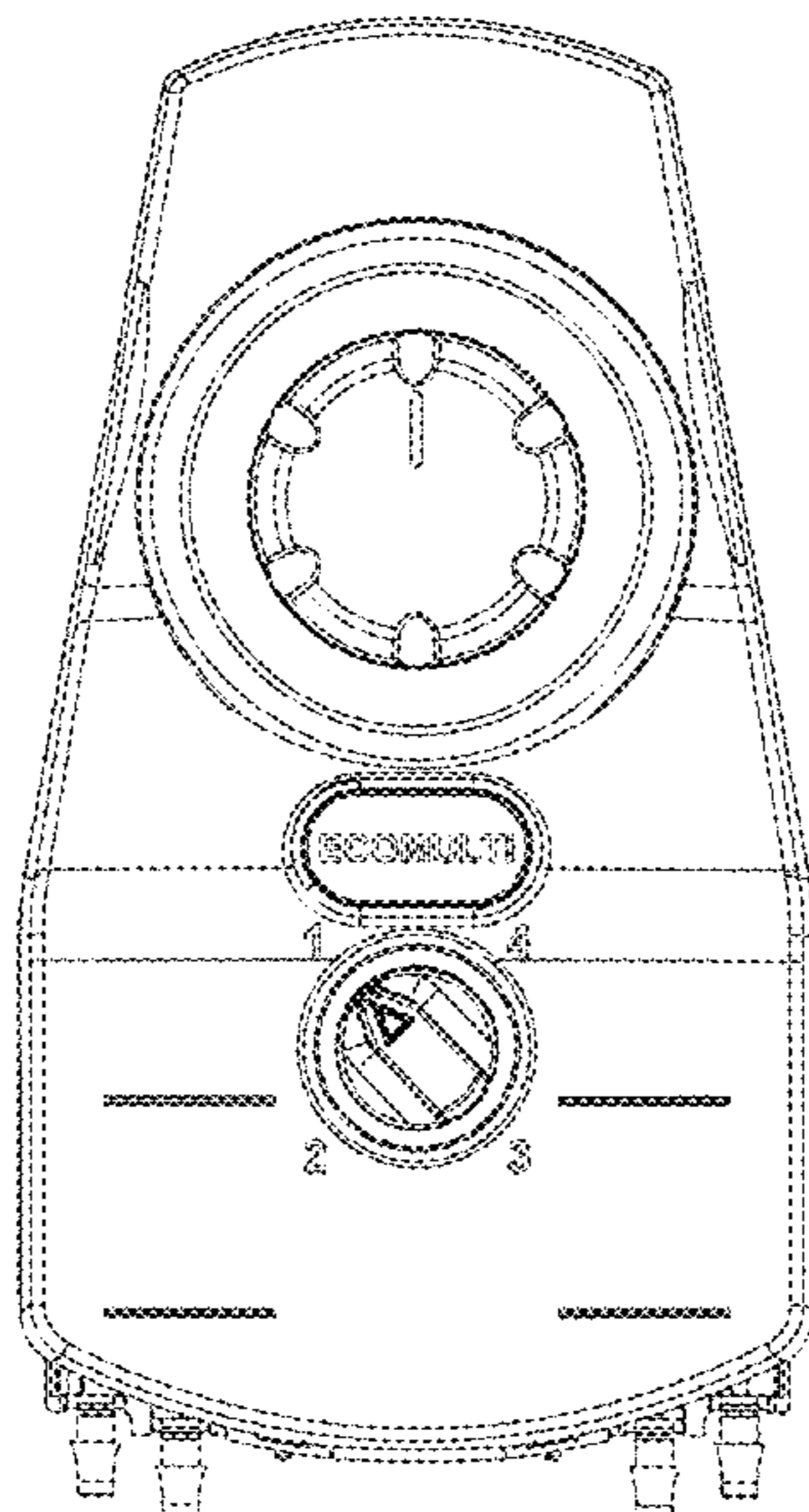
Primary Examiner — Michael C Stout
Assistant Examiner — Katrina N Gonzalez
(74) *Attorney, Agent, or Firm* — Levy & Grandinetti

(57) **CLAIM**
The ornamental design for a metering pump, as shown and described.

DESCRIPTION

FIG. 1 is a front view of a metering pump;
FIG. 2 is a right view of the metering pump of FIG. 1;
FIG. 3 is a left view of the metering pump of FIG. 1;
FIG. 4 is a back view of the metering pump of FIG. 1;
FIG. 5 is a top view of the metering pump of FIG. 1;
FIG. 6 is a bottom view of the metering pump of FIG. 1; and,
FIG. 7 is a perspective view of the metering pump of FIG. 1.
The broken lines illustrate portions of metering pump that form no part of the claimed design.
The logo “ECOMULTI” forms part of the claimed design and is registered as U.S. Trademark Registration No. 5,153, 577 for the mark “ECOMULTI.” The Assignee, Brightwell Dispensers Limited, is the owner of the mark.

1 Claim, 7 Drawing Sheets



(56)

References Cited

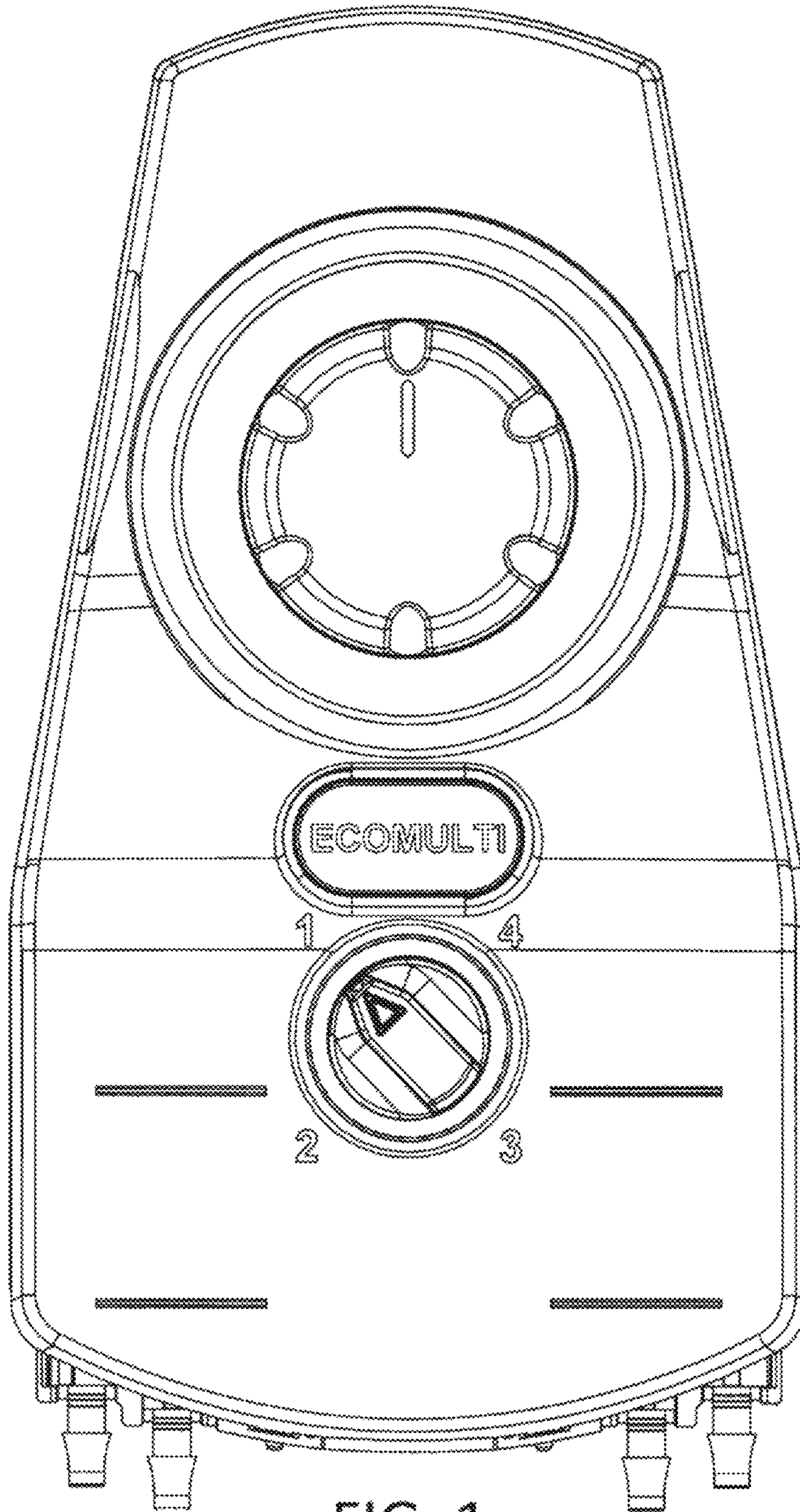
U.S. PATENT DOCUMENTS

D768,407 S *	10/2016	Patterson	D6/545
D775,853 S *	1/2017	Bing	D6/545
D784,726 S *	4/2017	Boyd	D6/544
D789,113 S *	6/2017	Levy	D6/544
D795,608 S *	8/2017	Boyd	D6/545
D804,341 S *	12/2017	Rowland	D10/96
D809,948 S *	2/2018	Hirche	D10/87
D810,145 S *	2/2018	Sinico	D15/7
D826,401 S *	8/2018	Epple	D24/130

OTHER PUBLICATIONS

“NPL 2,” (via YouTube), available Sep. 8, 2017, [online], [site visited Sep. 14, 2018]. Video available from internet, <URL:https://www.youtube.com/watch?v=G1R1iSqE4u0> (Year: 2017).*

* cited by examiner



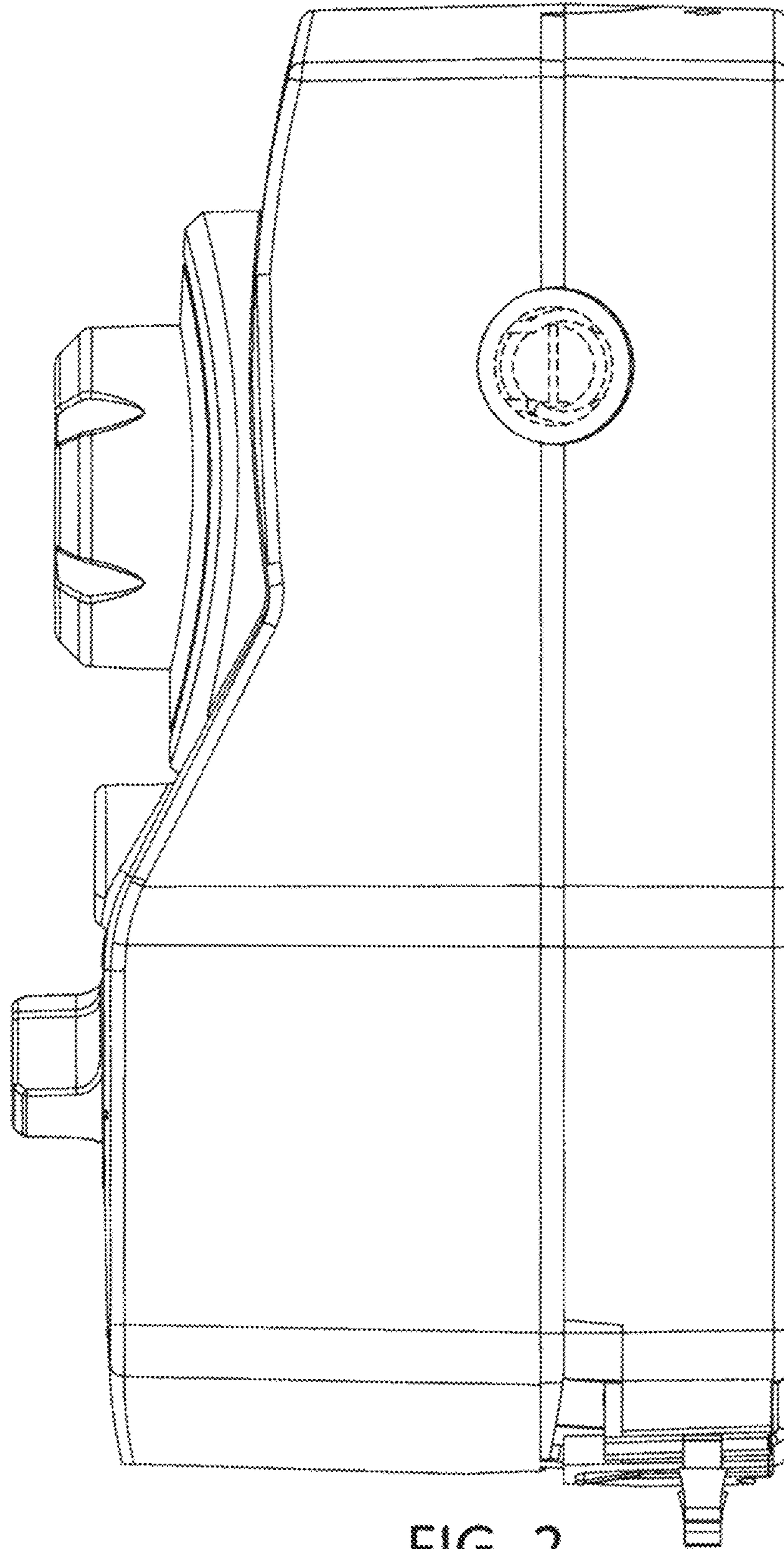


FIG. 2

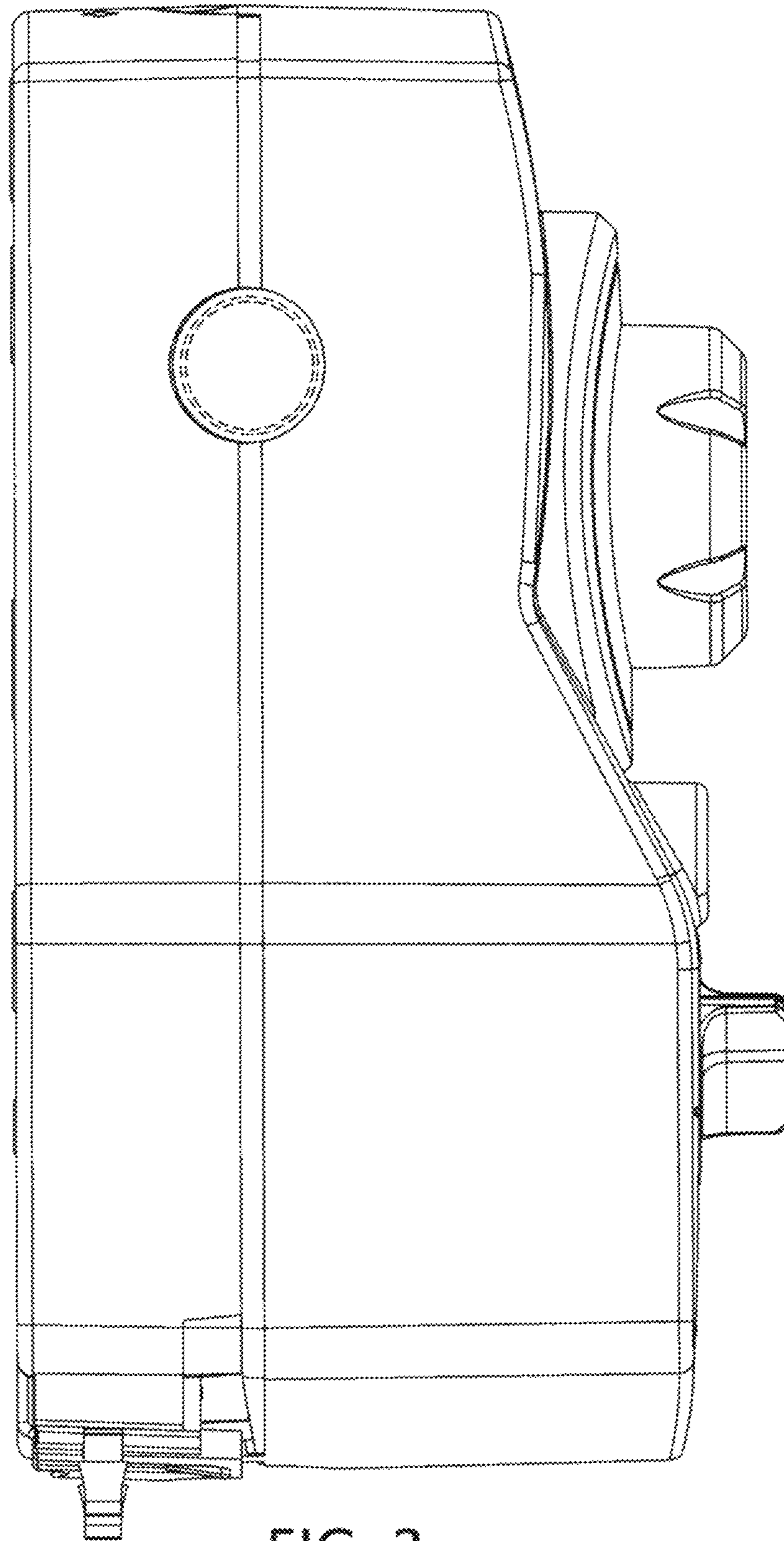


FIG. 3

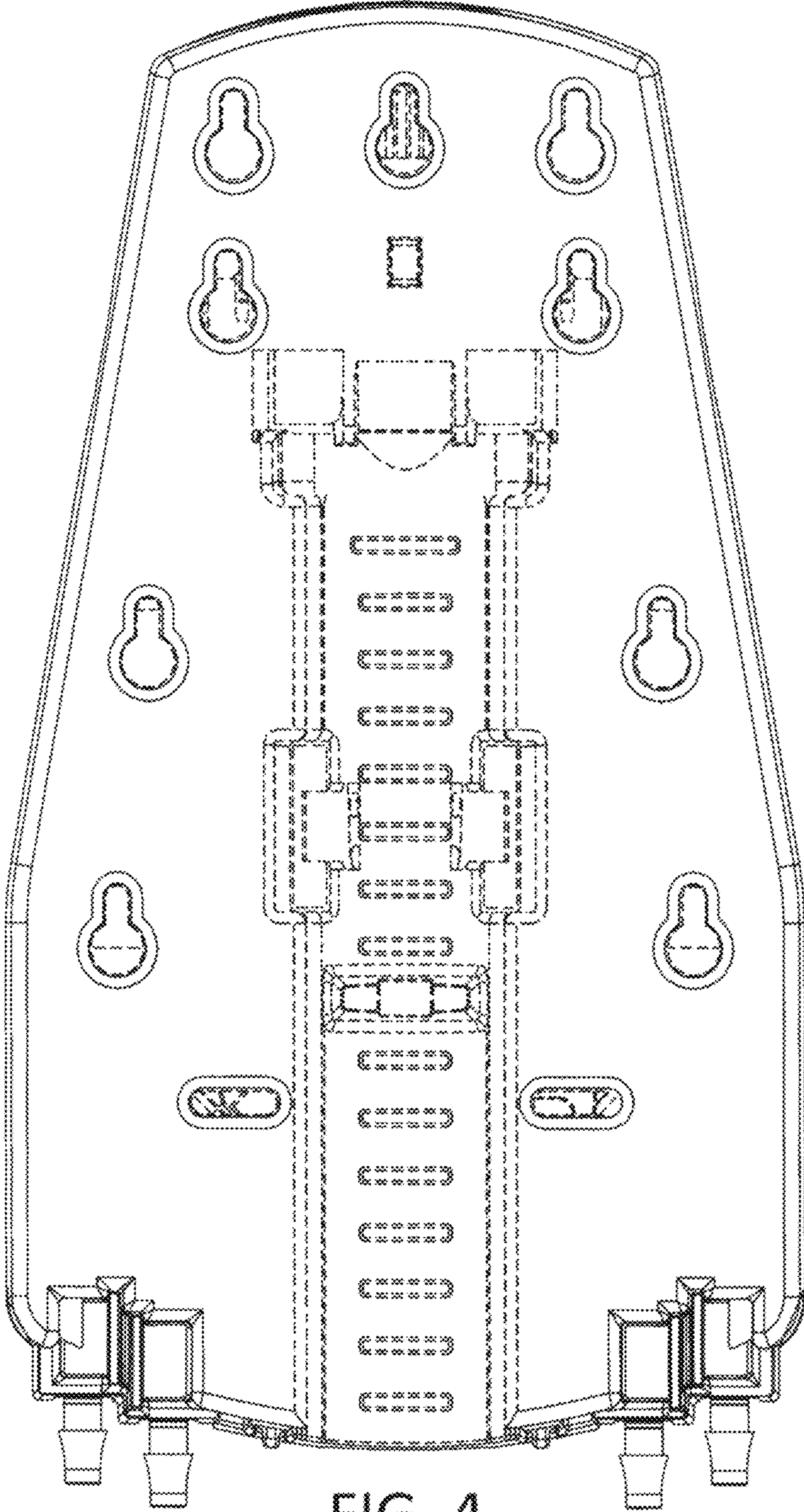


FIG. 4

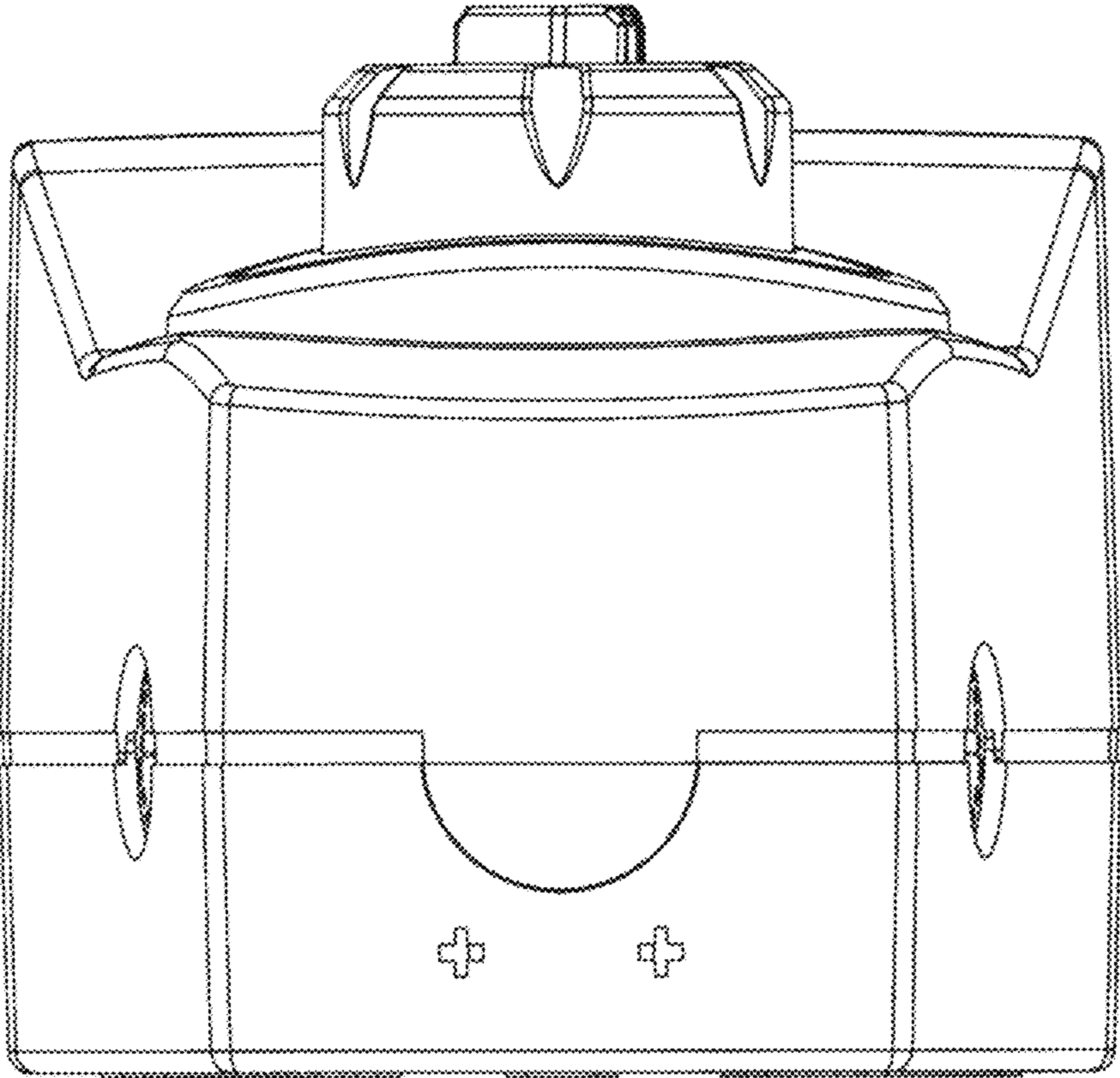


FIG. 5

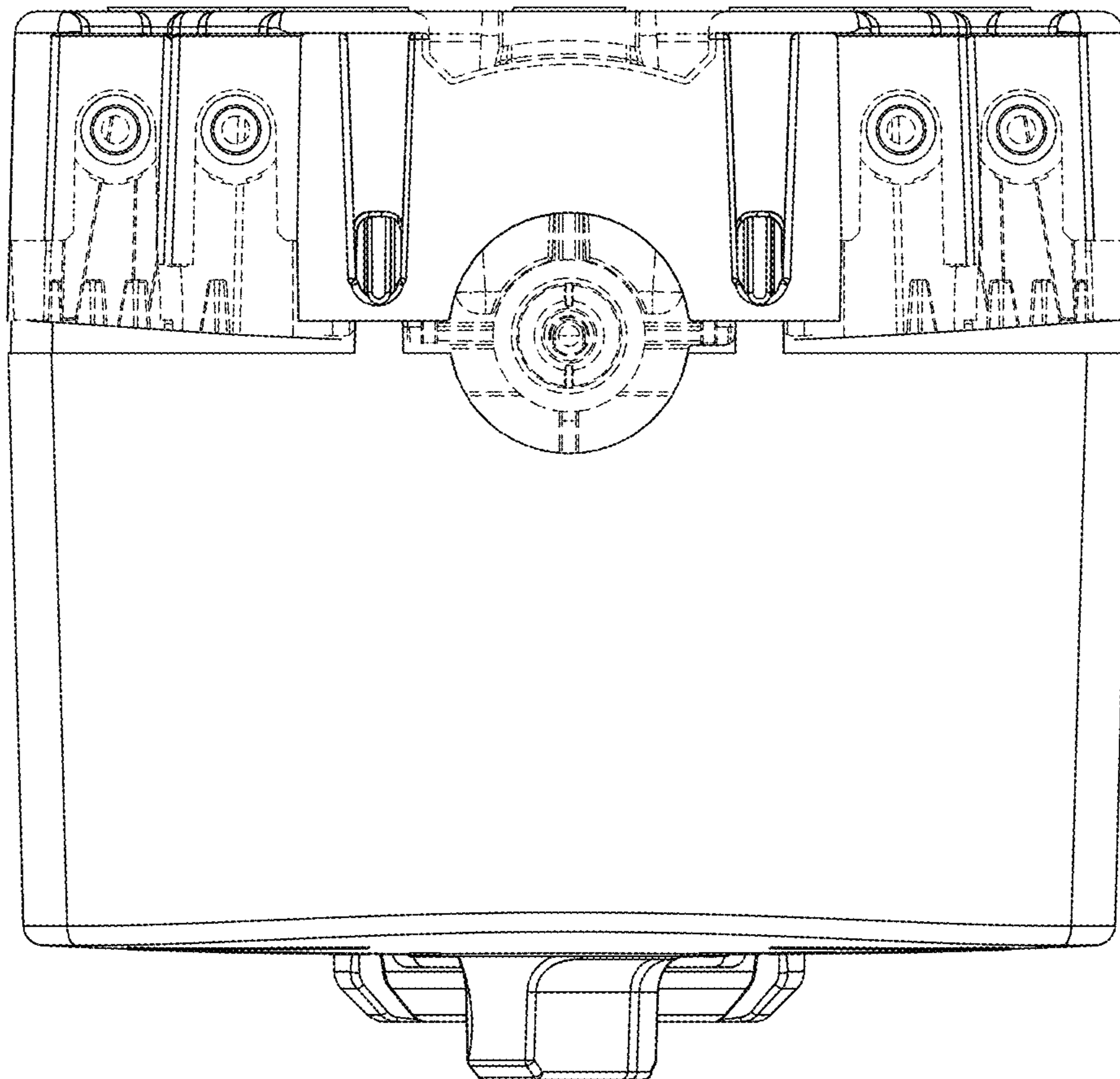


FIG. 6

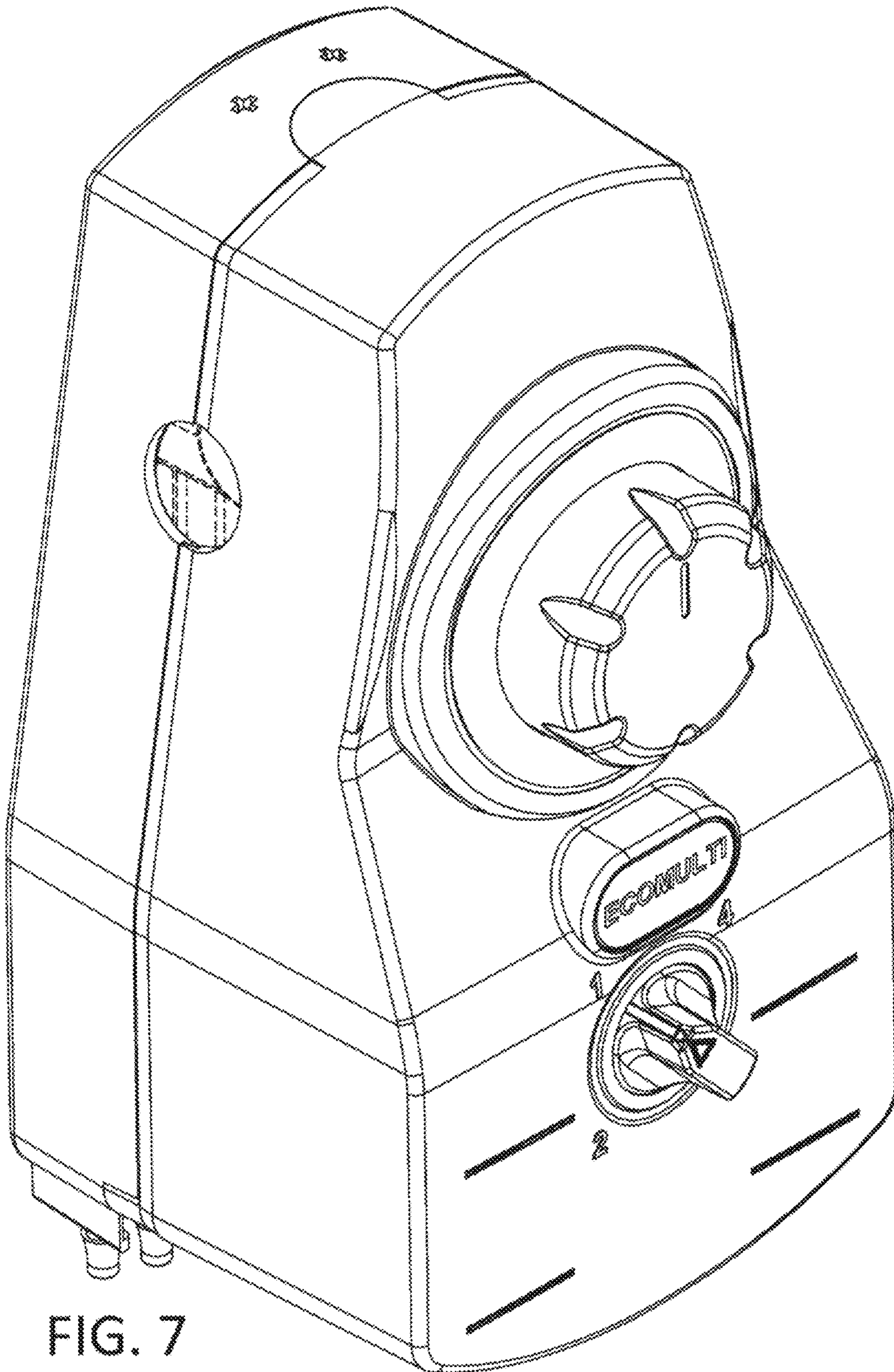


FIG. 7