



US00D894766S

(12) **United States Design Patent**
Matsumoto et al.

(10) **Patent No.:** **US D894,766 S**
(45) **Date of Patent:** **** Sep. 1, 2020**

(54) **TESTING INSTRUMENT**

FOREIGN PATENT DOCUMENTS

(71) Applicant: **KOKUSAI KEISOKUKI**
KABUSHIKI KAISHA, Tama-shi,
Tokyo (JP)

JP	2002-116119	A	4/2002
JP	4150351	B2	9/2008
JP	4198610	B2	12/2008
JP	5243166	B2	7/2013
JP	2014-20807	A	2/2014
JP	5999977	B2	9/2016
JP	6076620	B2	2/2017

(72) Inventors: **Sigeru Matsumoto**, Tokyo (JP);
Hiroshi Miyashita, Tokyo (JP);
Kazuhiro Murauchi, Tokyo (JP);
Shuichi Tokita, Kanagawa (JP)

* cited by examiner

(73) Assignee: **KOKUSAI KEISOKUKI**
KABUSHIKI KAISHA, Tokyo (JP)

Primary Examiner — Antoine Duval Davis

(74) *Attorney, Agent, or Firm* — Oliff PLC

(**) Term: **15 Years**

(57) **CLAIM**

The ornamental design for a testing instrument, as shown and described.

(21) Appl. No.: **29/675,077**

DESCRIPTION

(22) Filed: **Dec. 28, 2018**

(30) **Foreign Application Priority Data**

Jun. 30, 2018 (JP) 2018-014538
Jun. 30, 2018 (JP) 2018-014539

FIG. 1 is a front elevational view of the testing device of the design;
FIG. 2 is a rear elevational view thereof;
FIG. 3 is a top plan view thereof;
FIG. 4 is a bottom plan view thereof;
FIG. 5 is a left-side elevational view thereof;
FIG. 6 is a right-side elevational view thereof;
FIG. 7 is a front, right-side, top perspective view thereof;
FIG. 8 is rear, left-side, top perspective view thereof;
FIG. 9 is an enlargement of area 9 in FIG. 1;
FIG. 10 is an enlargement of area 10 in FIG. 2;
FIG. 11 is an enlargement of area 11 in FIG. 3;
FIG. 12 is an enlarged left-side elevational view thereof;
FIG. 13 is a right-side elevational view thereof;
FIG. 14 is an enlargement of area 14 in FIG. 7; and,
FIG. 15 is an enlargement of area 15 in FIG. 8.
The broken lines depict either (i) enlargement areas that form no part of the claimed design, or (ii) parts of the testing device that form no part of the claimed design.

(51) **LOC (12) Cl.** **10-04**

(52) **U.S. Cl.**
USPC **D10/84**

(58) **Field of Classification Search**
USPC D10/83-85
CPC G01M 17/02; B60C 19/00; B60C 25/00;
B60C 11/00; G01N 19/02
See application file for complete search history.

(56) **References Cited**

U.S. PATENT DOCUMENTS

9,927,347 B1 * 3/2018 LoPresti G01N 19/02

1 Claim, 6 Drawing Sheets

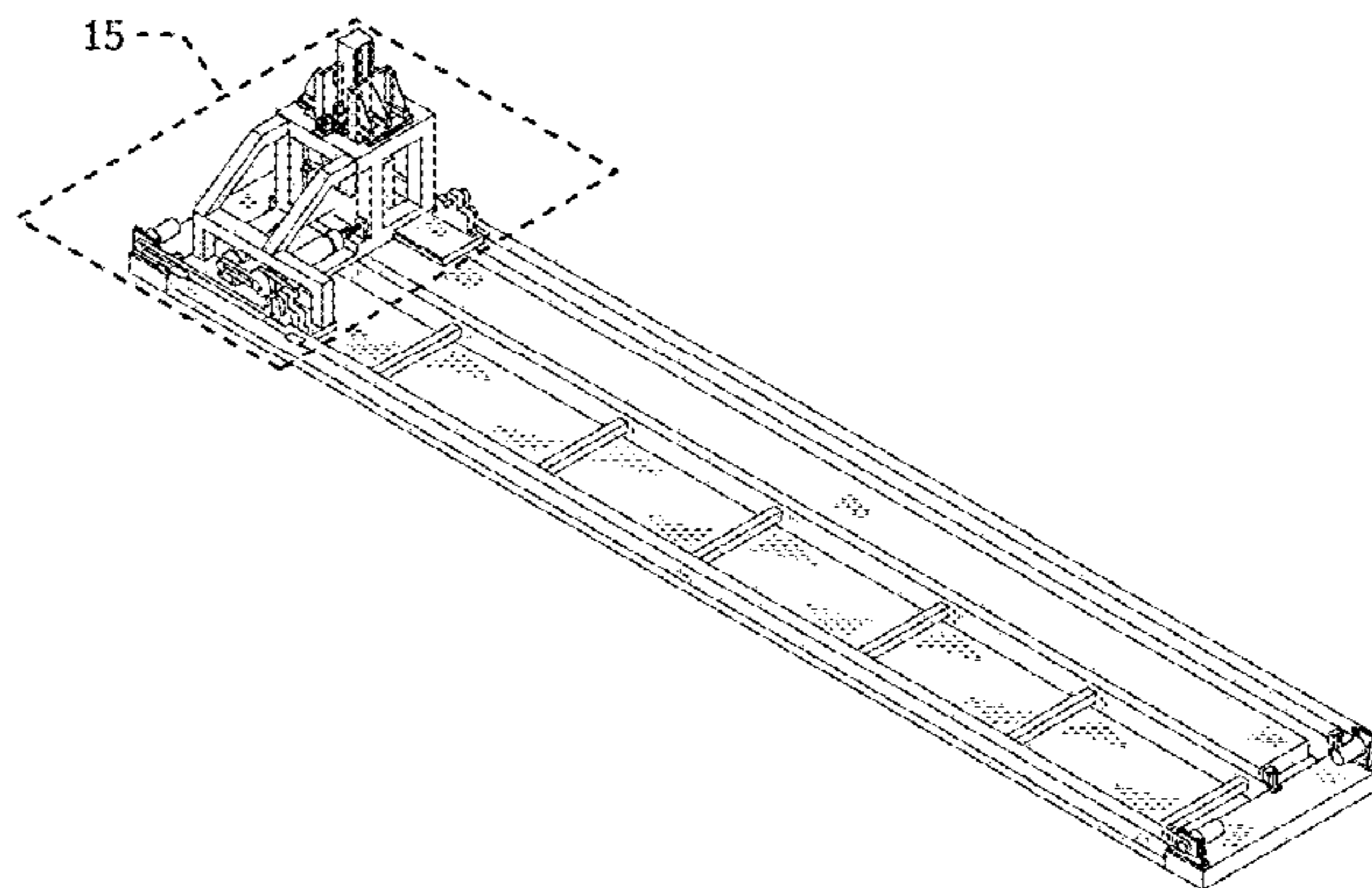
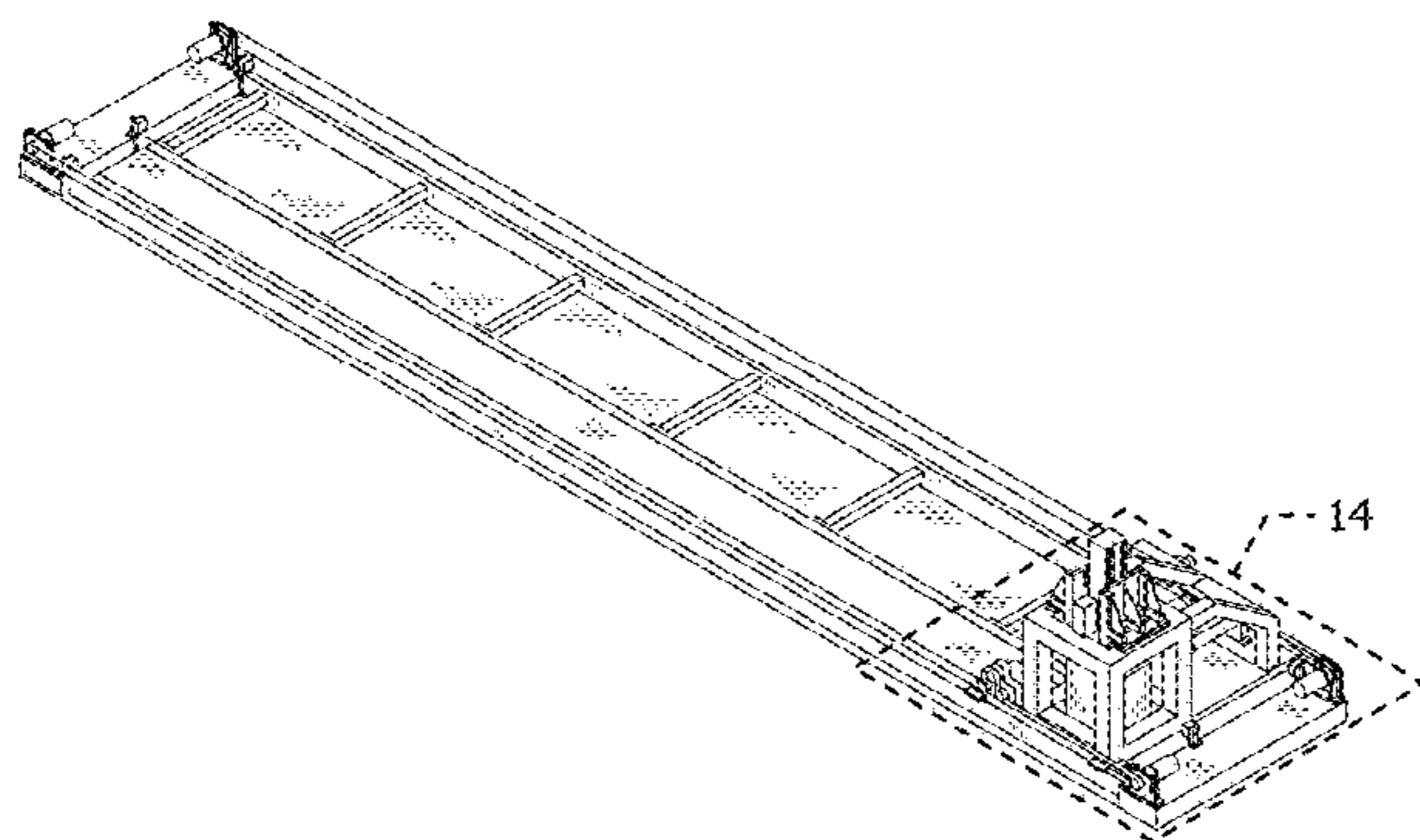




FIG. 1

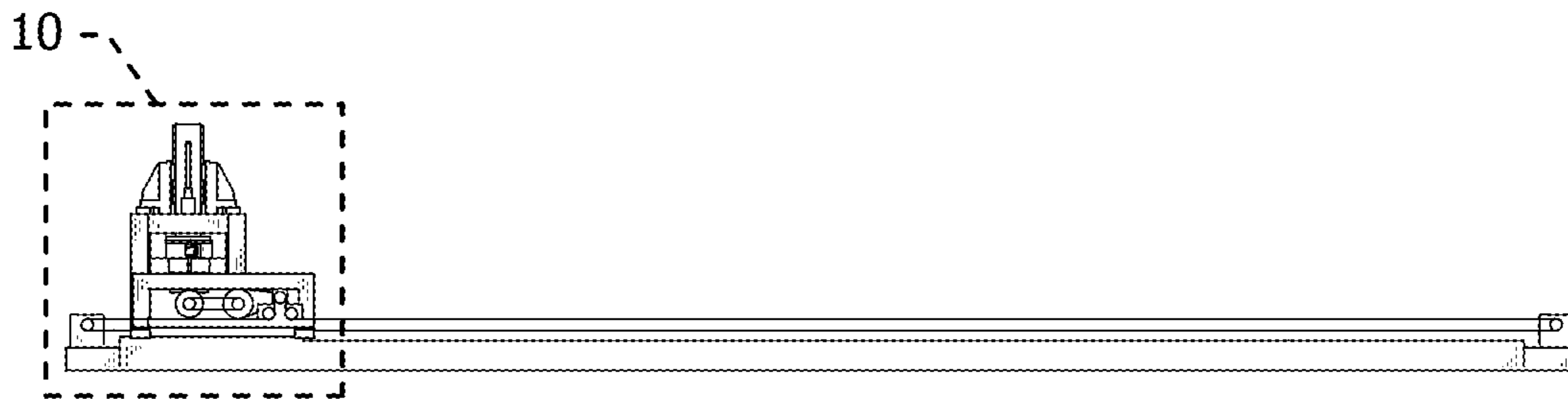


FIG. 2

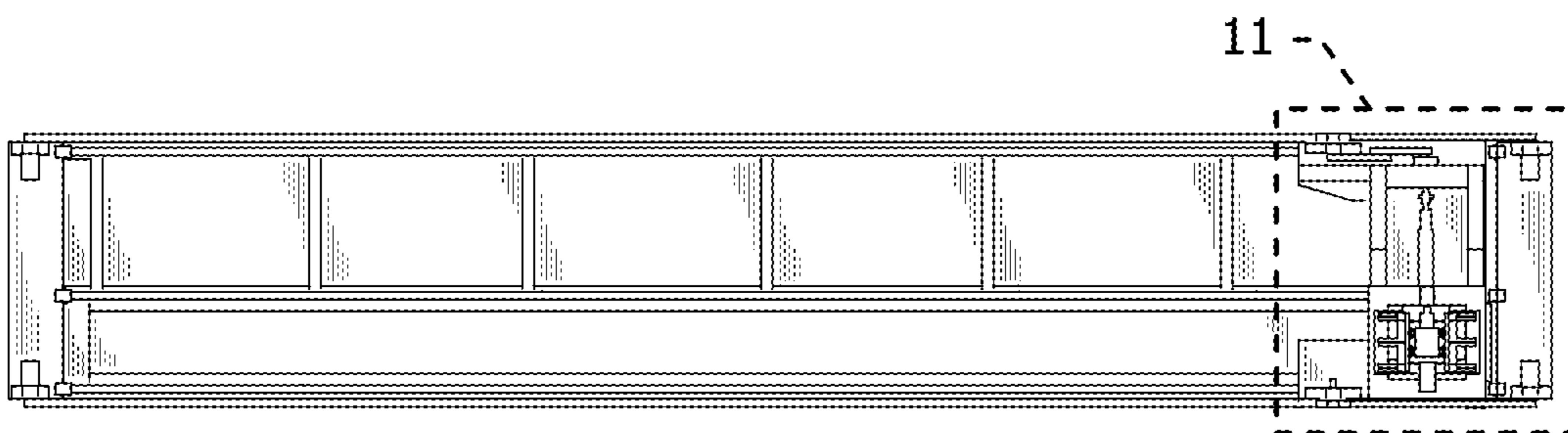


FIG. 3

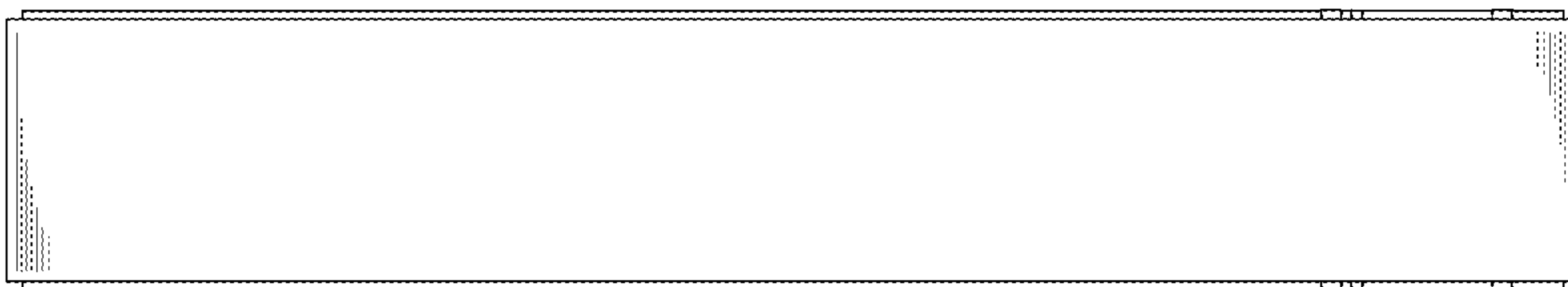


FIG. 4

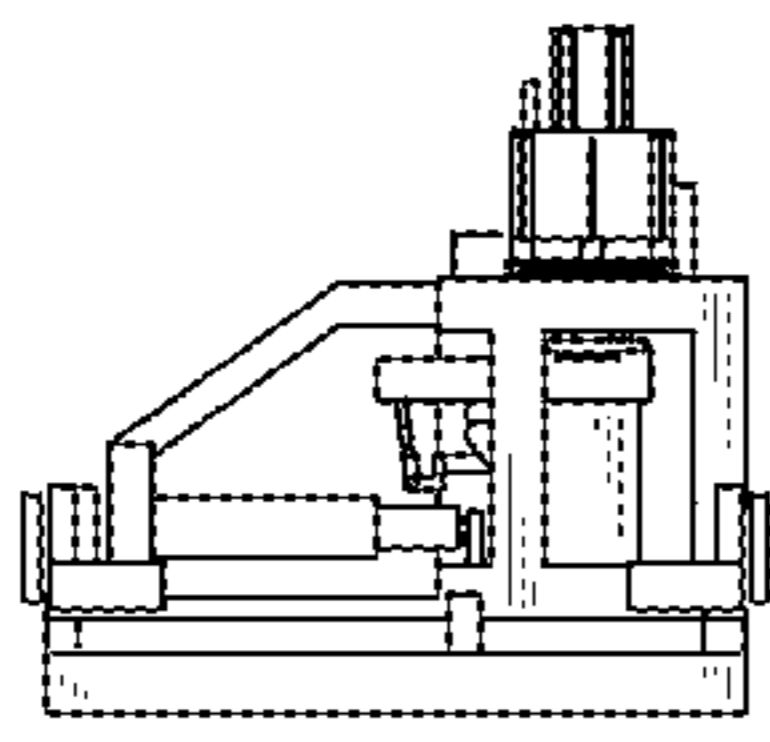


FIG. 5

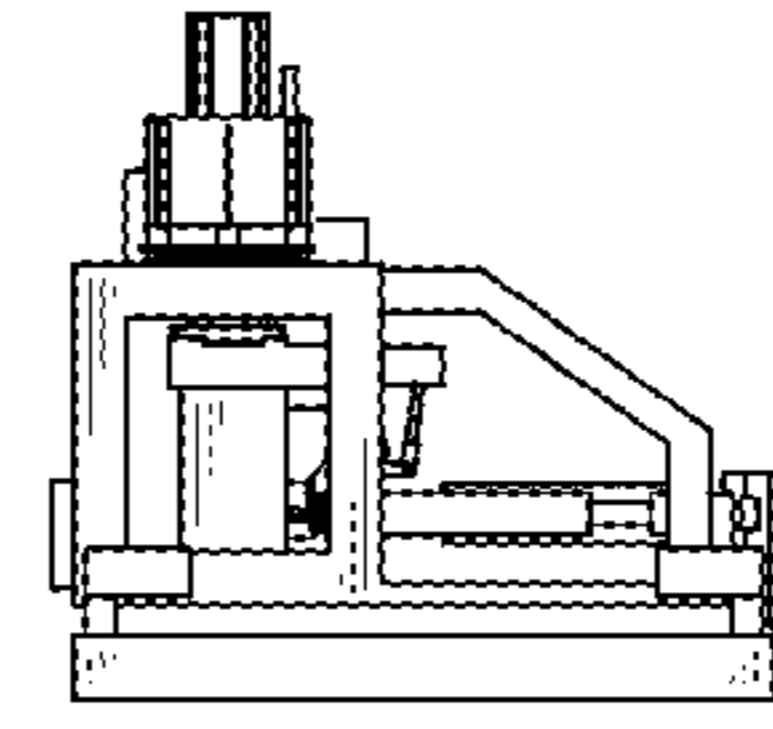


FIG. 6

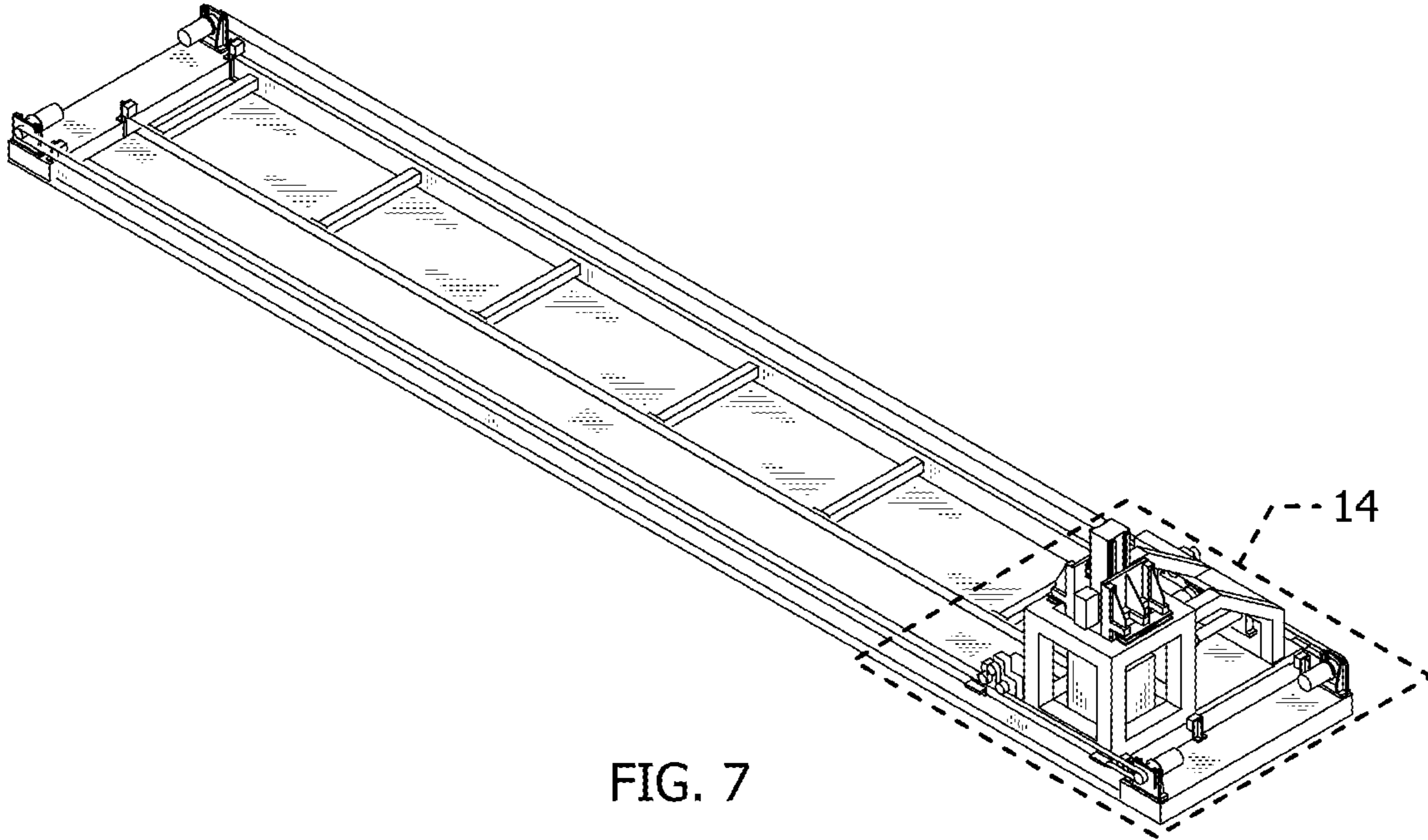


FIG. 7

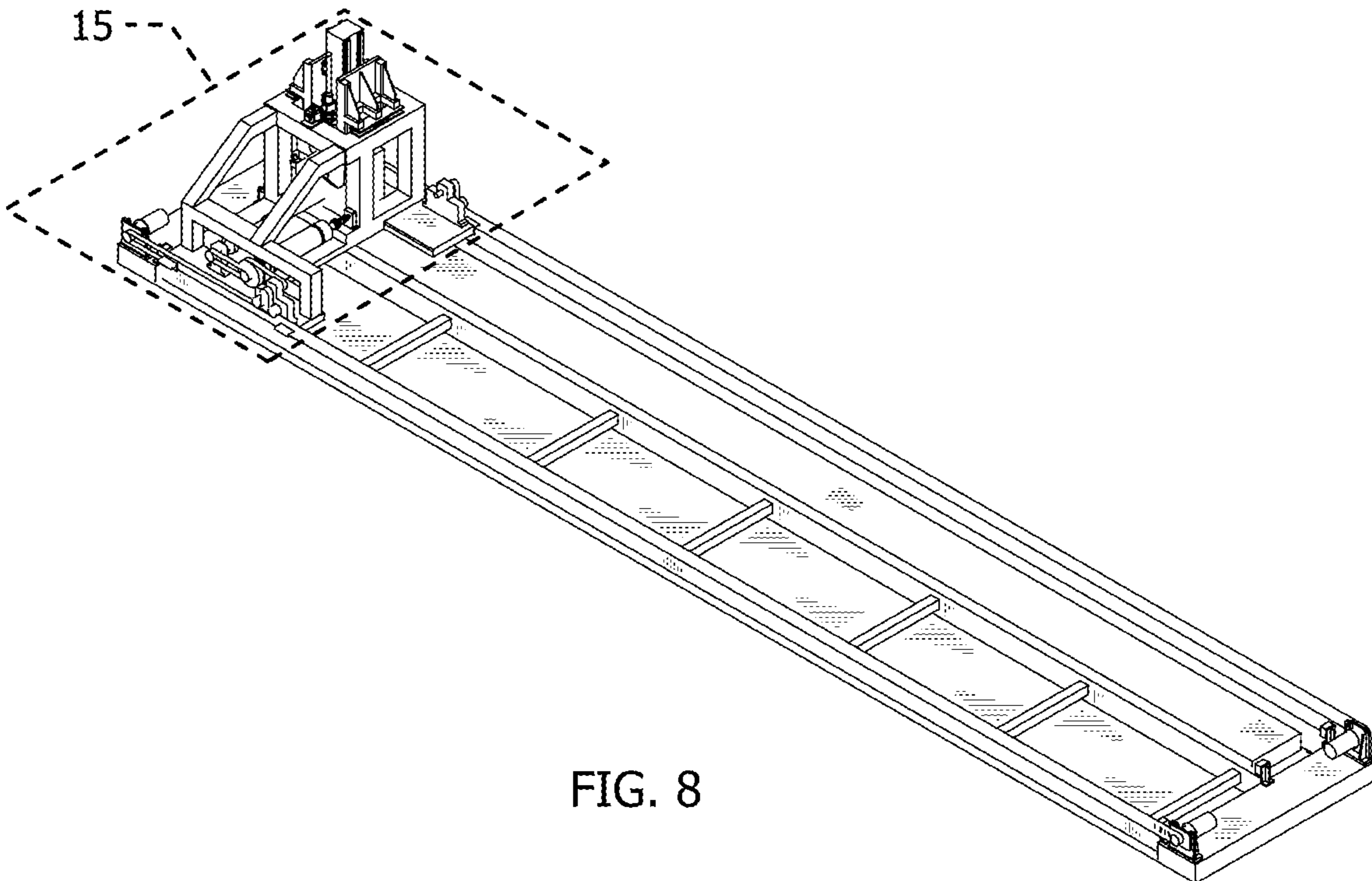


FIG. 8

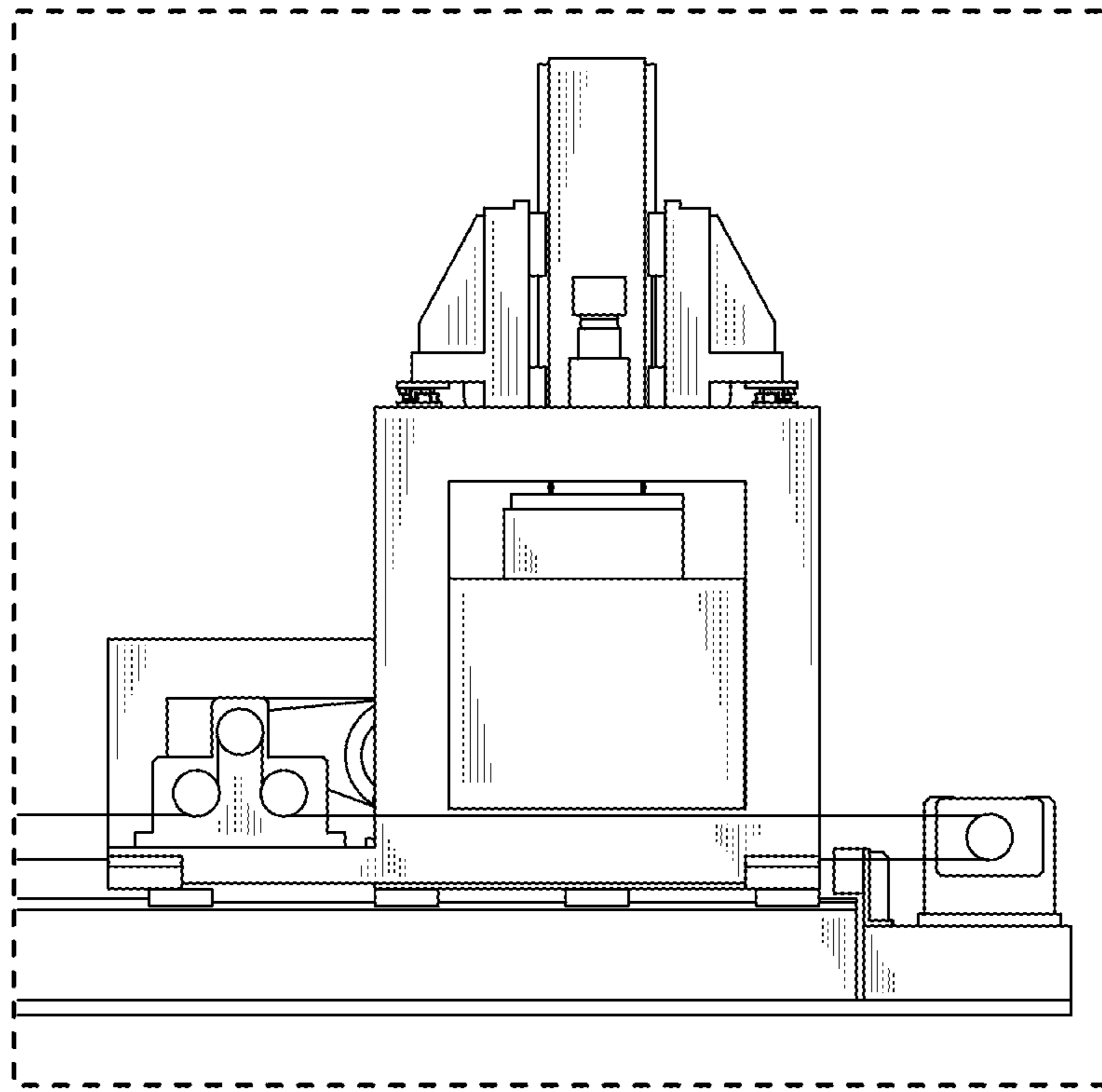


FIG. 9

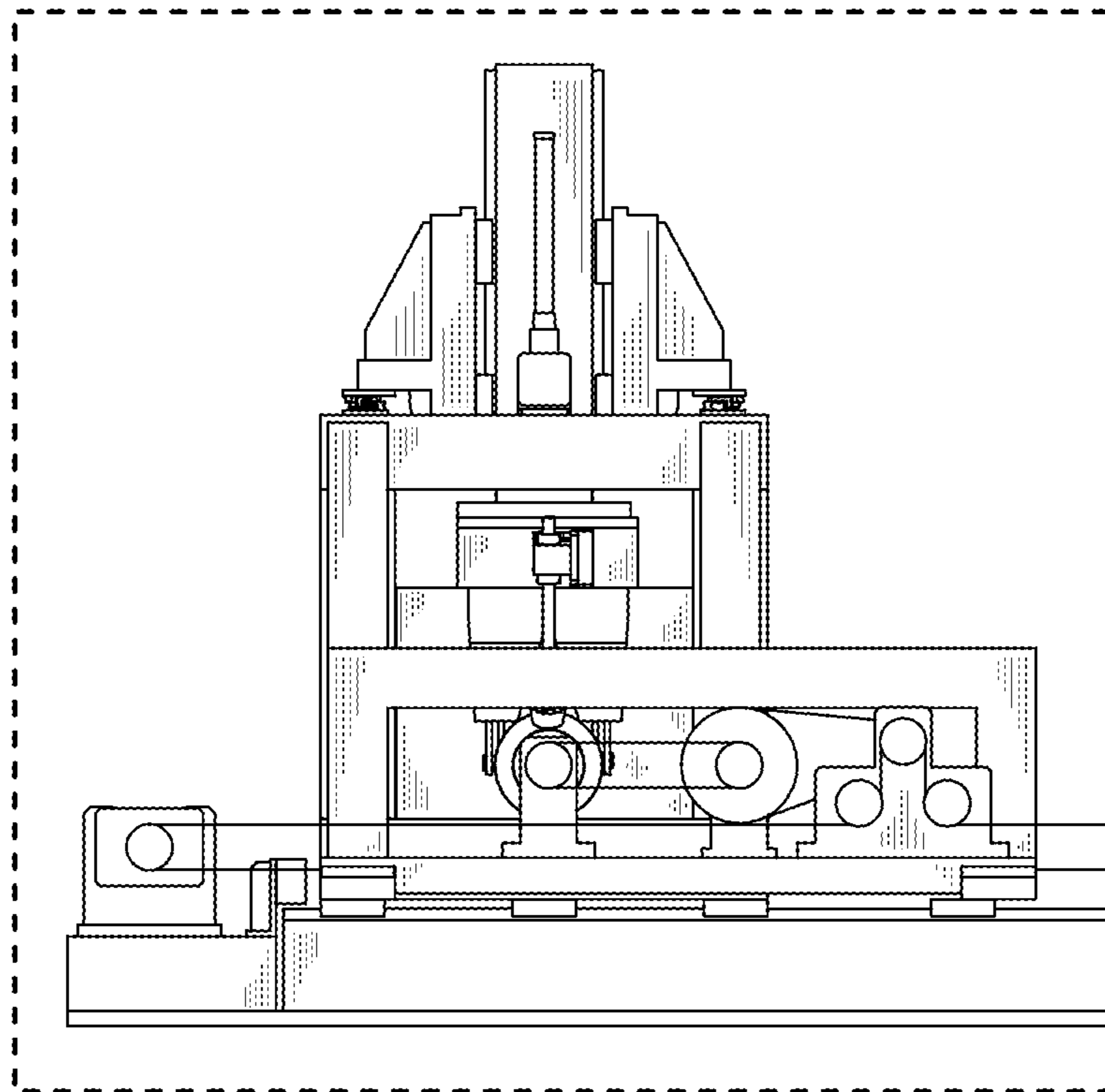


FIG. 10

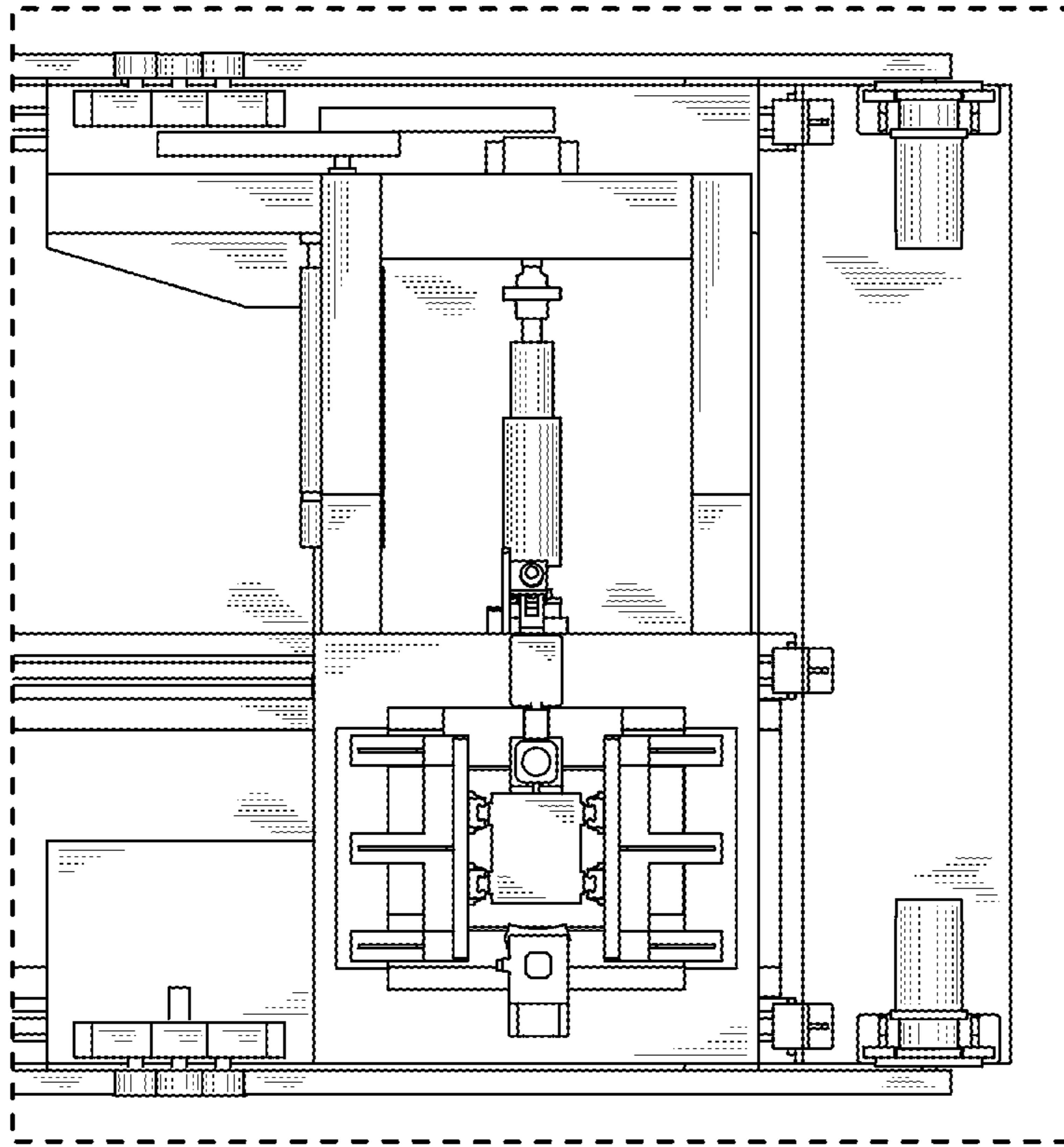


FIG. 11

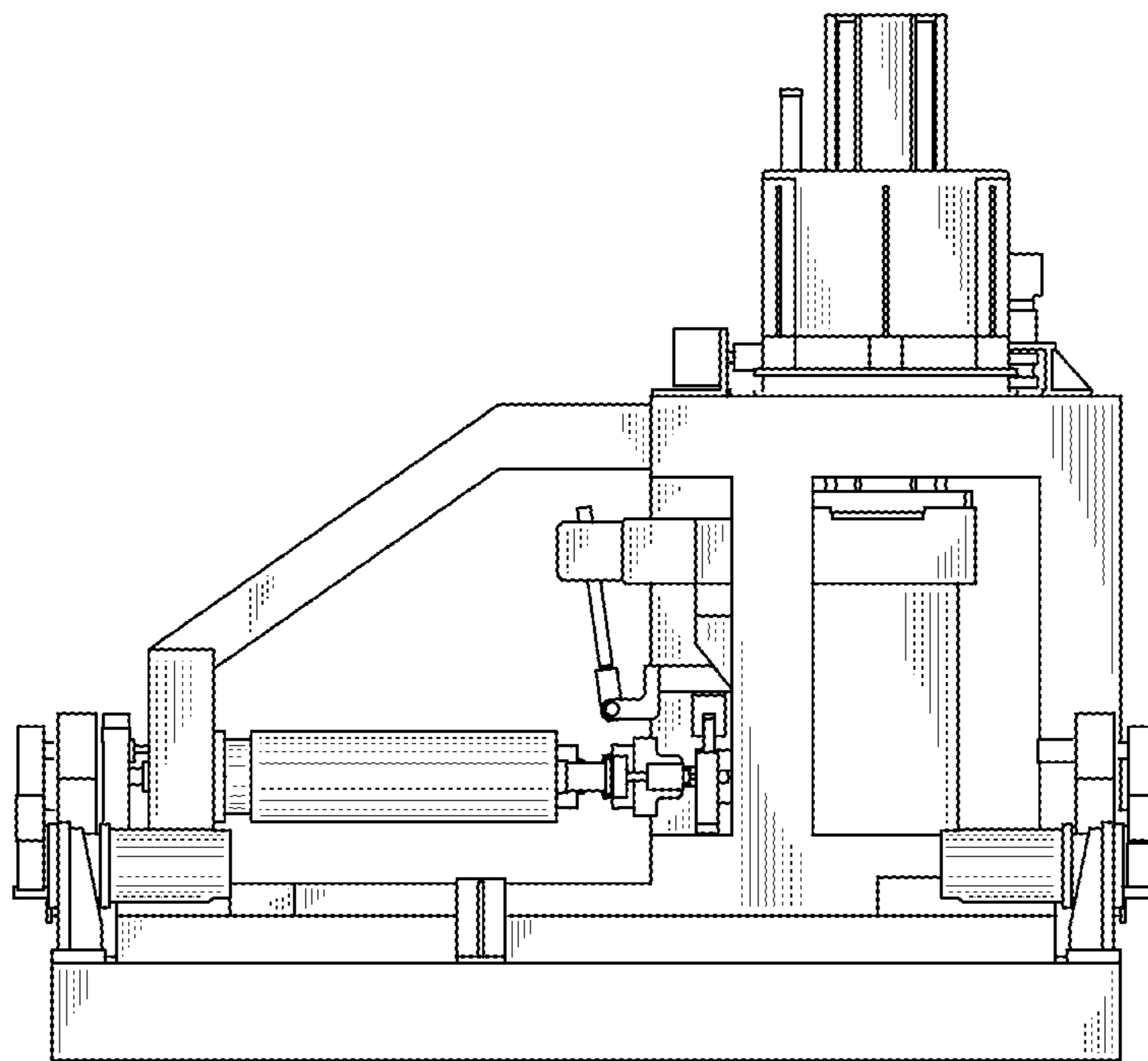


FIG. 12

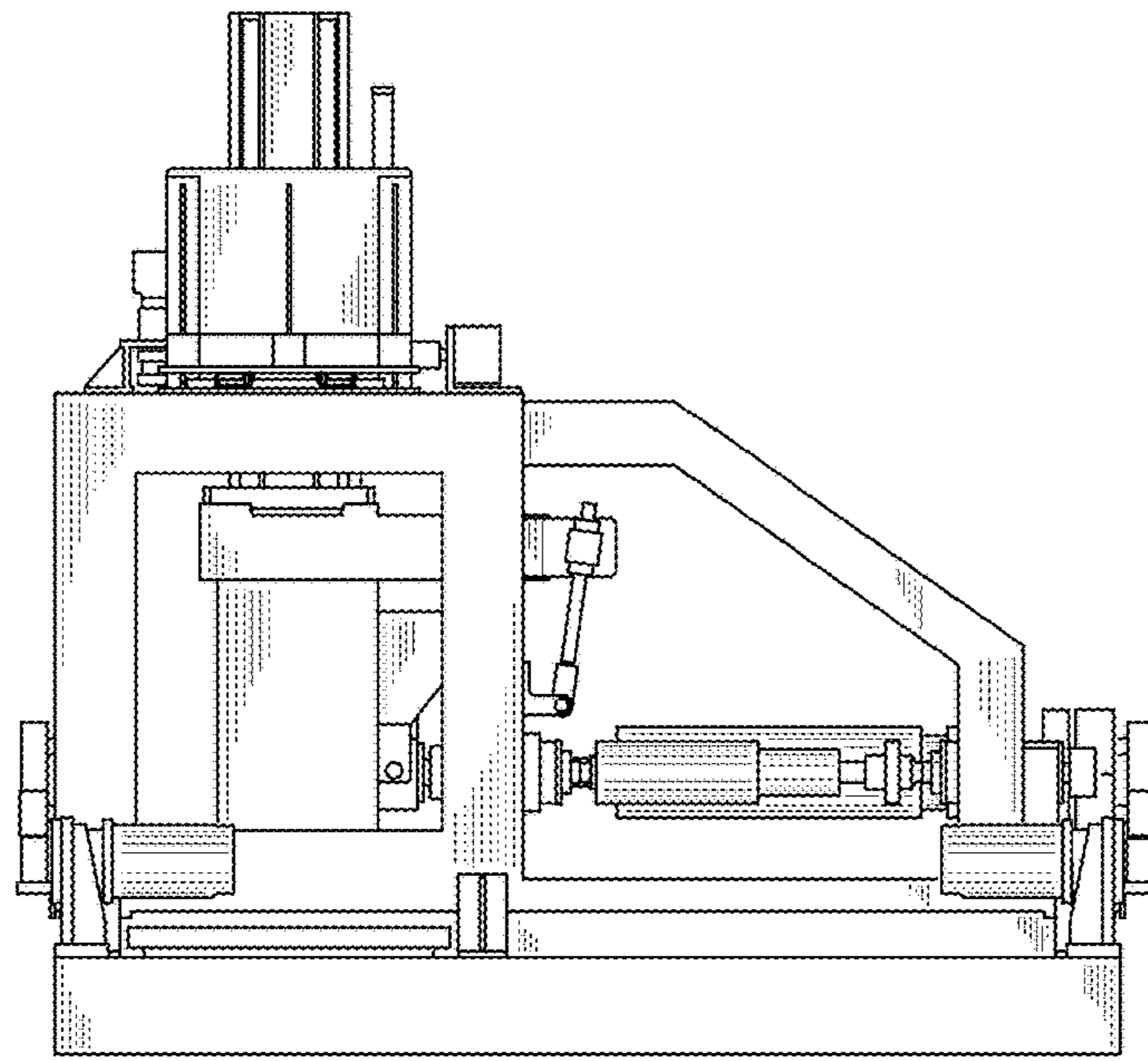


FIG. 13

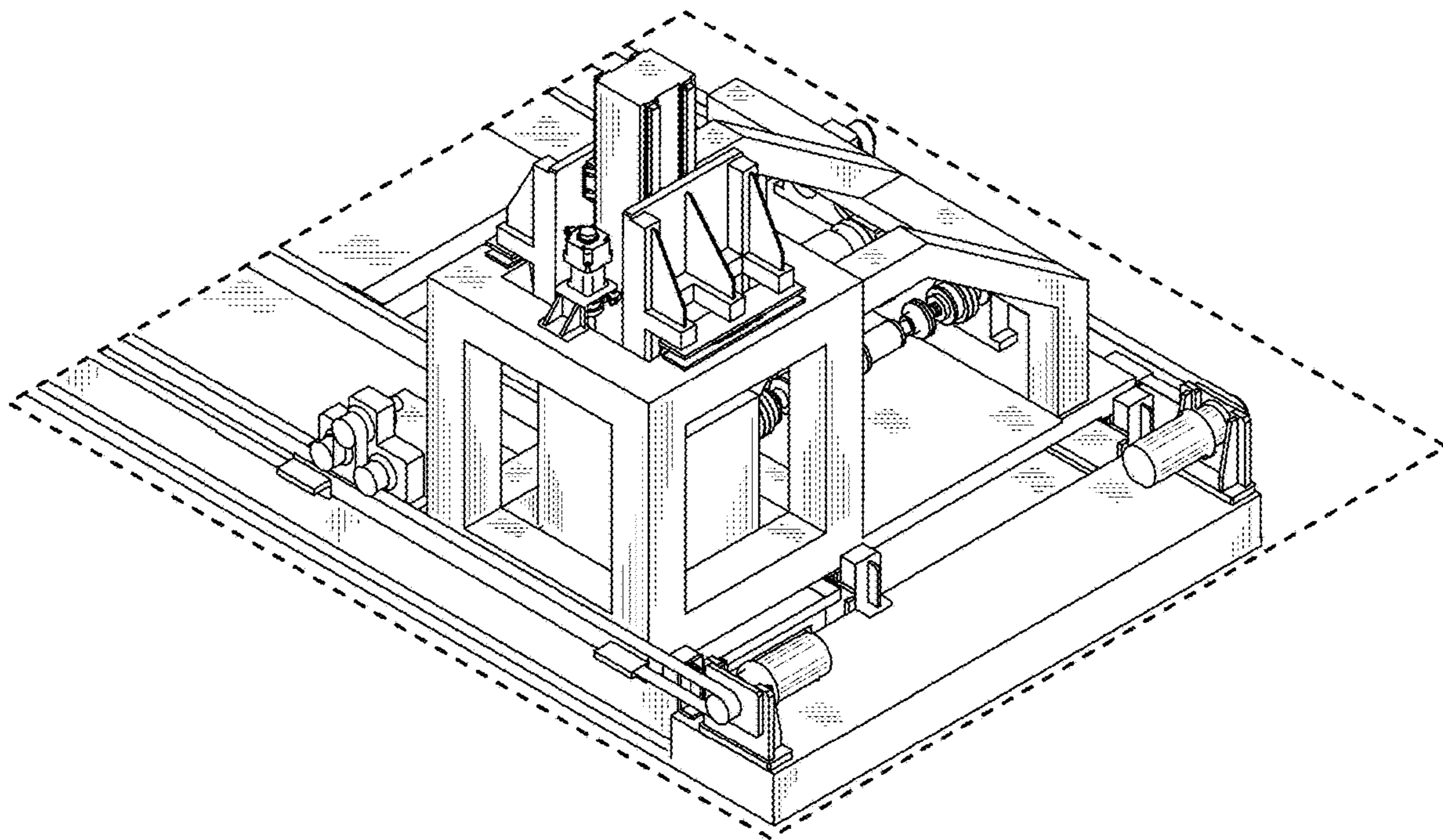


FIG. 14

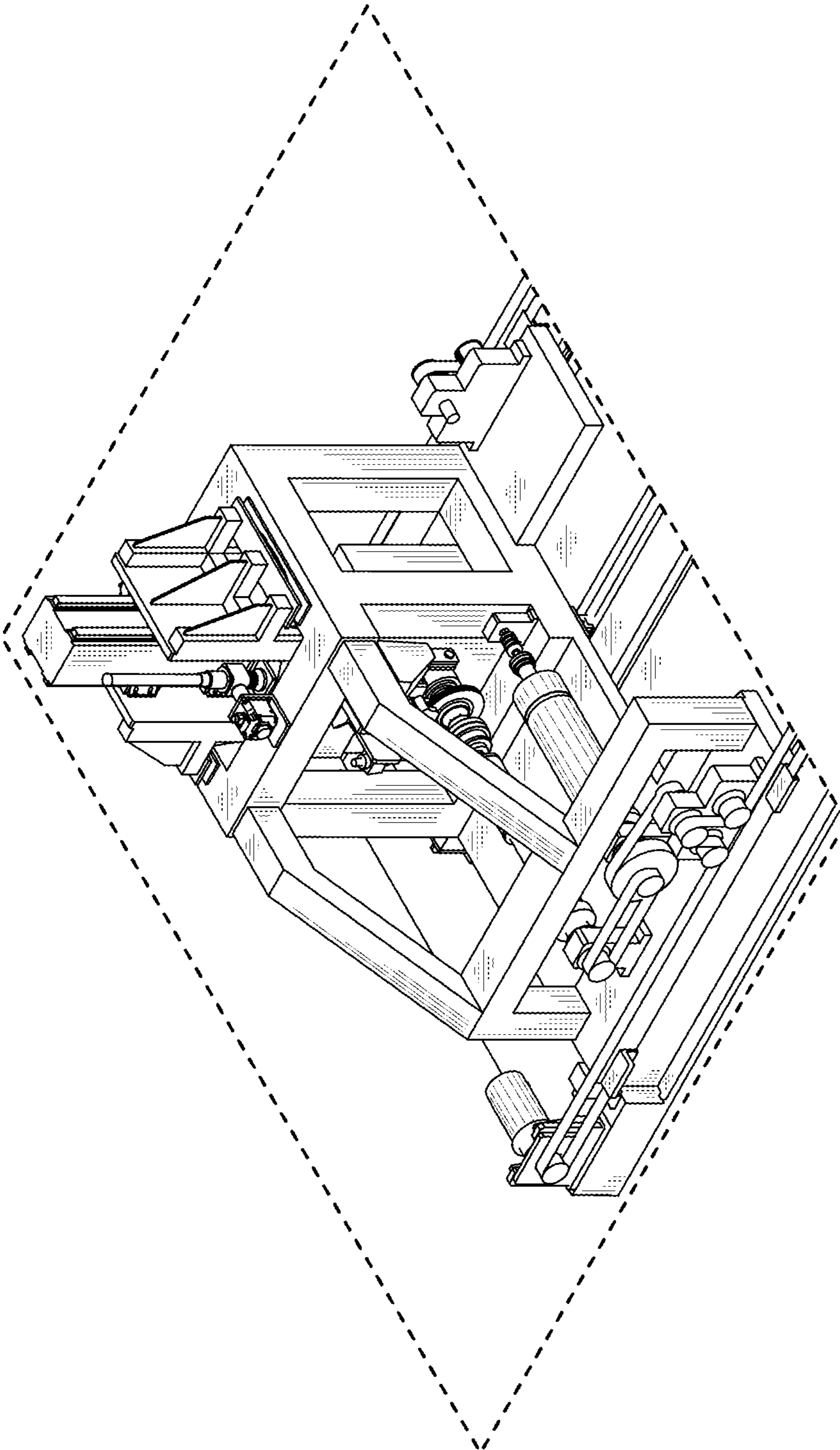


FIG. 15