



US00D894765S

(12) **United States Design Patent** (10) **Patent No.:** **US D894,765 S**
DeLeo (45) **Date of Patent:** **** *Sep. 1, 2020**

(54) **TAPE MEASURE**
(71) Applicant: **Black & Decker, Inc.**, New Britain, CT (US)
(72) Inventor: **Anthony Michael DeLeo**, Portage, MI (US)
(73) Assignee: **Black & Decker, Inc.**, New Britain, CT (US)
(*) Notice: This patent is subject to a terminal disclaimer.
(**) Term: **15 Years**

(21) Appl. No.: **29/545,616**
(22) Filed: **Nov. 13, 2015**
(51) **LOC (12) Cl.** **10-04**
(52) **U.S. Cl.**
USPC **D10/74**
(58) **Field of Classification Search**
USPC D10/72, 74
CPC G01B 3/10; G01B 3/1002; G01B 3/1041;
G01B 2003/1043; G01B 2003/1046;
G01B 2003/1048; G01B 2003/1051;
G01B 2003/1053–2003/1097; G01B
3/1082; G01B 3/1056; G01B 3/563;
G01B 3/566; G01B 3/1071; G07B 3/10
See application file for complete search history.

(56) **References Cited**
U.S. PATENT DOCUMENTS
D375,269 S * 11/1996 Wertheim D10/72
D471,827 S * 3/2003 Ranieri D10/72

D584,647 S * 1/2009 Garcia D10/72
D611,849 S * 3/2010 Cook D10/72
D680,888 S * 4/2013 Ranieri D10/72
8,806,770 B2 8/2014 Steele et al.
8,898,922 B2 12/2014 Bridges et al.
D726,043 S * 4/2015 Cook D10/72
D756,251 S * 5/2016 Ranieri D10/72

OTHER PUBLICATIONS

Design U.S. Appl. No. 29/545,618, filed Nov. 13, 2015 entitled
“Tape Measure,” Inventor: DeLeo.

* cited by examiner

Primary Examiner — Antoine D Davis
(74) *Attorney, Agent, or Firm* — Gabriel A. Haboubi

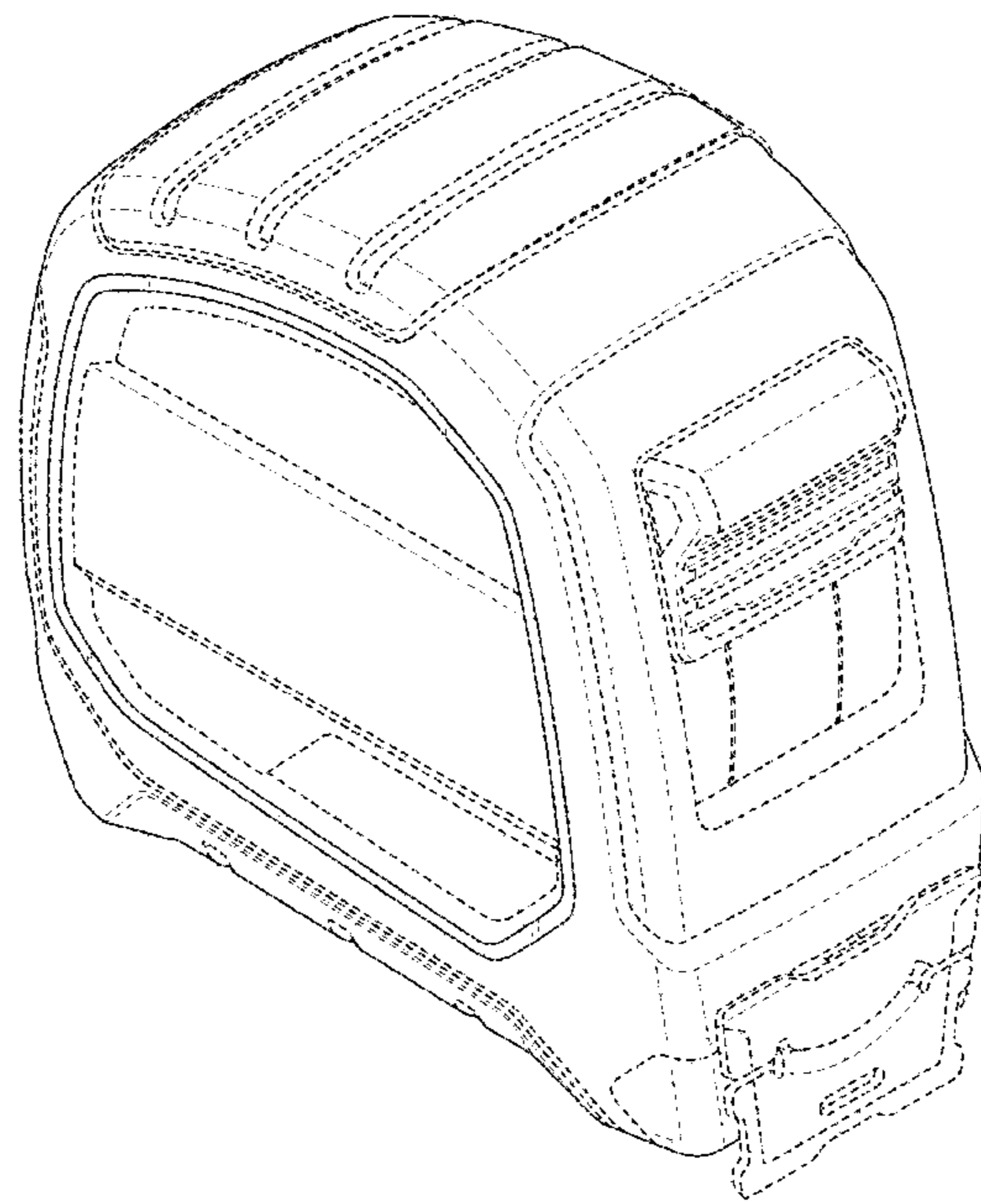
(57) **CLAIM**

The ornamental design for a “tape measure,” as shown and described.

DESCRIPTION

FIG. 1 is a perspective view;
FIG. 2 is a right view;
FIG. 3 is a left view;
FIG. 4 is a back view;
FIG. 5 is a front view;
FIG. 6 is a top view; and,
FIG. 7 is a bottom view.
The subject matter shown in dashed lines is for illustrative purposes and forms no part of the claimed design.

1 Claim, 7 Drawing Sheets



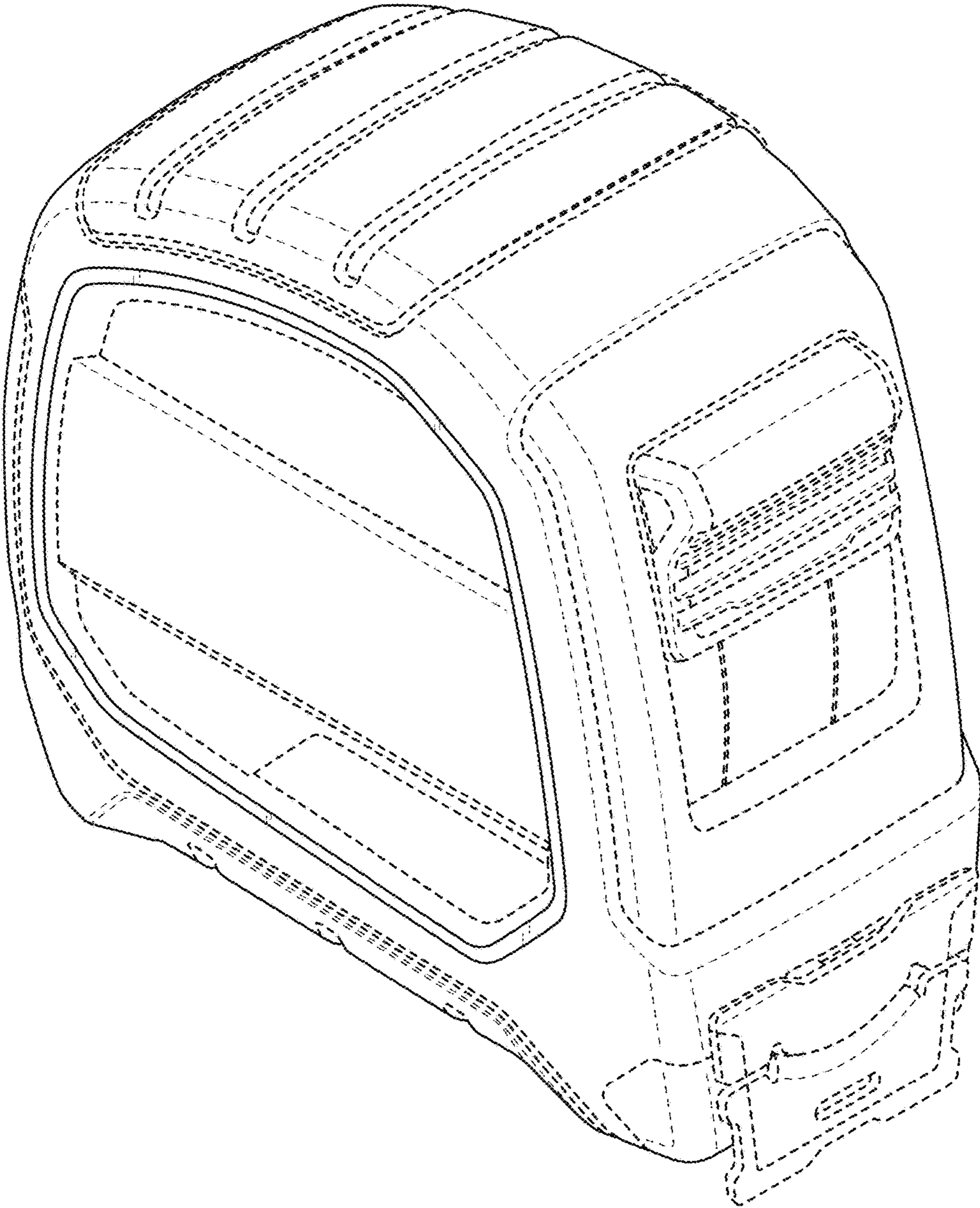


FIG. 1

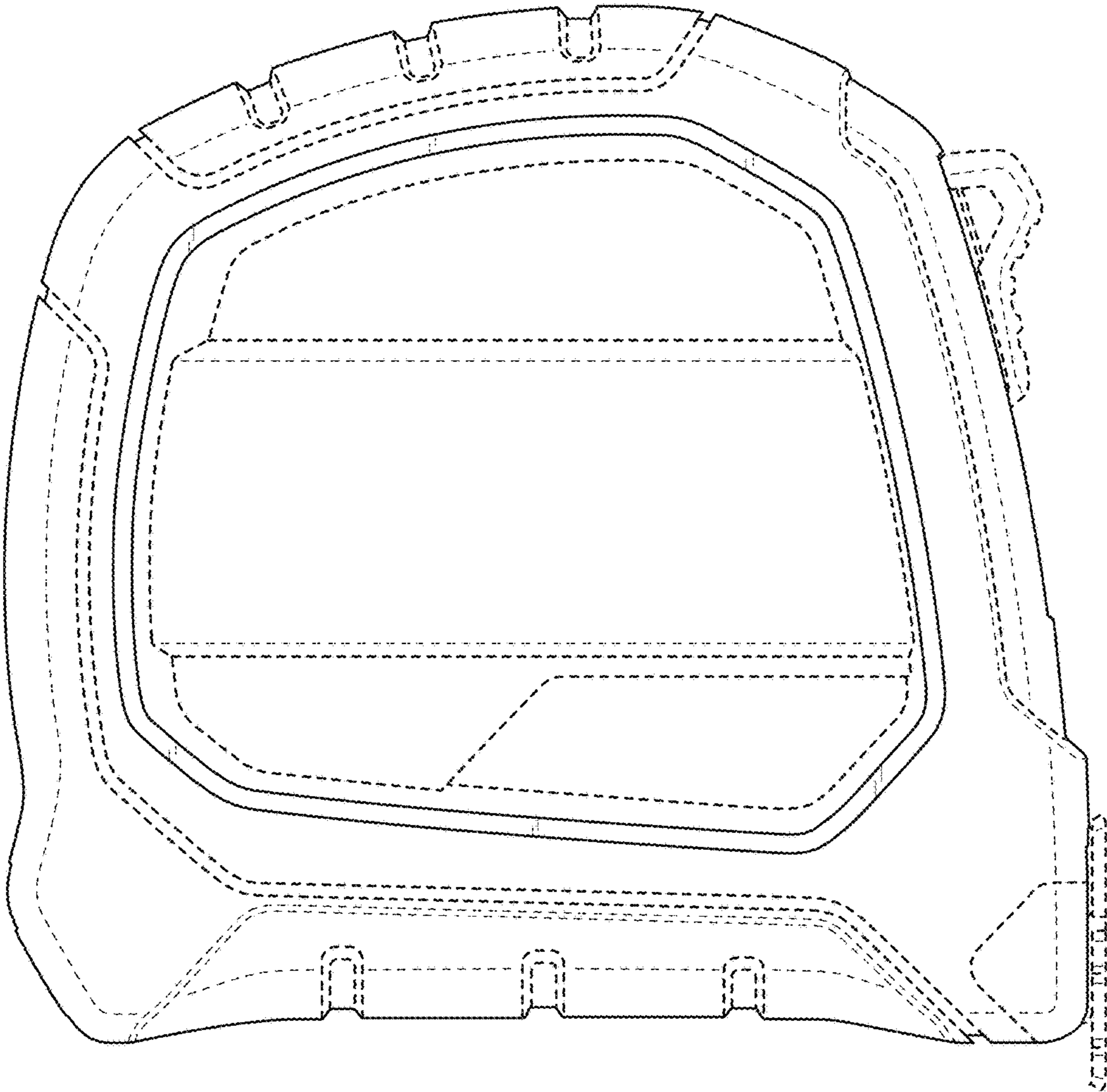


FIG. 2

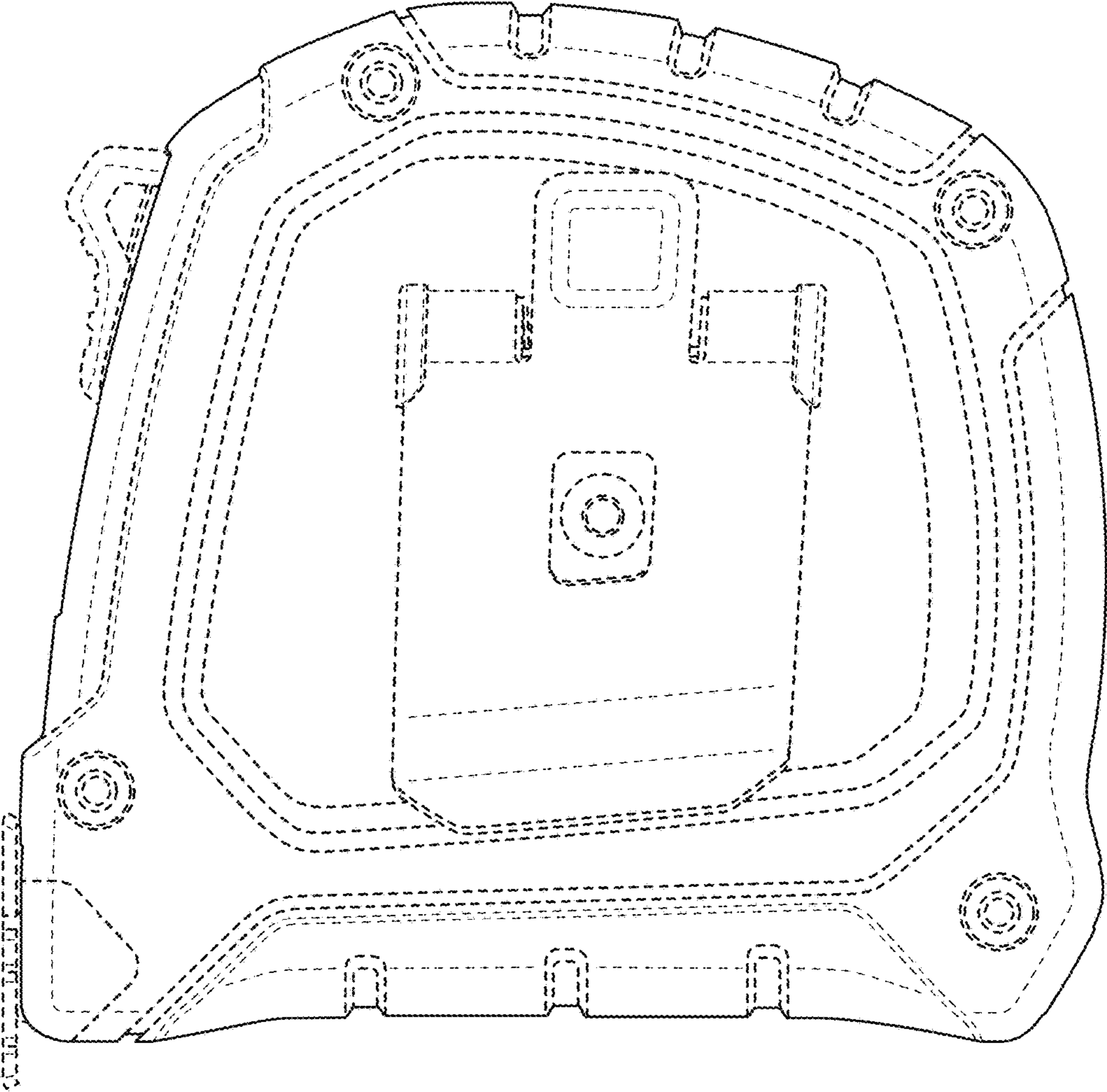


FIG. 3

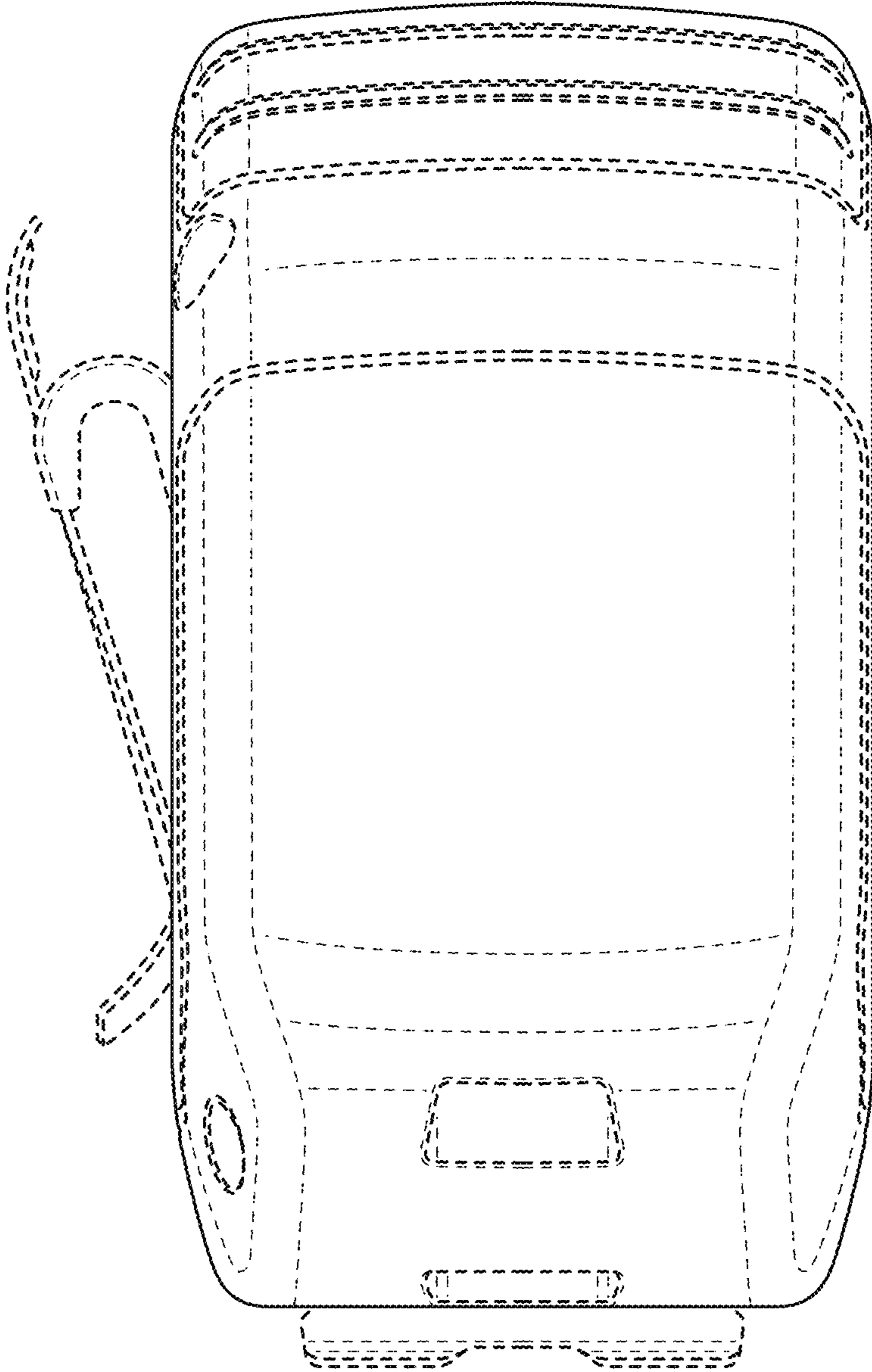


FIG. 4

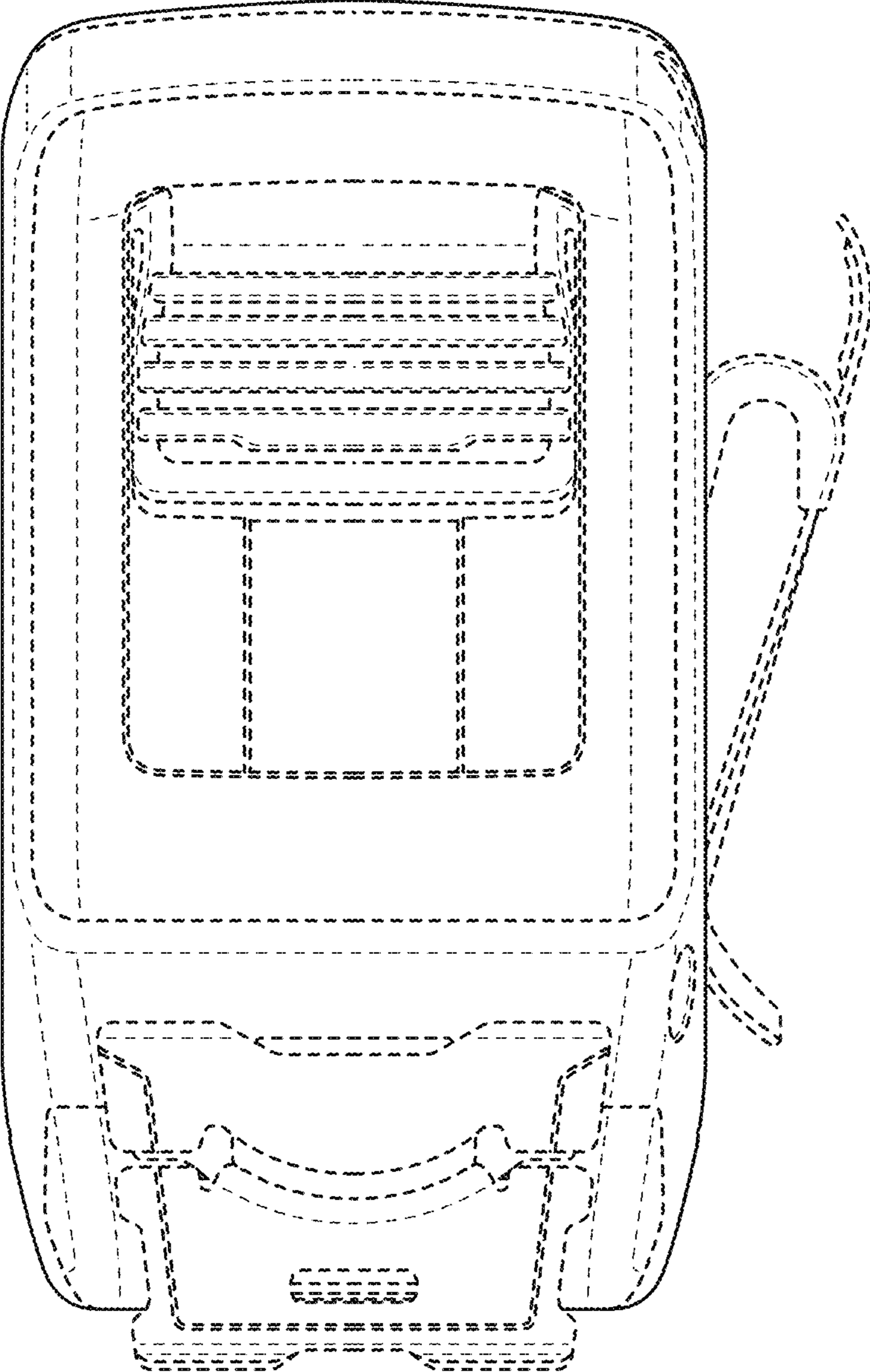


FIG. 5

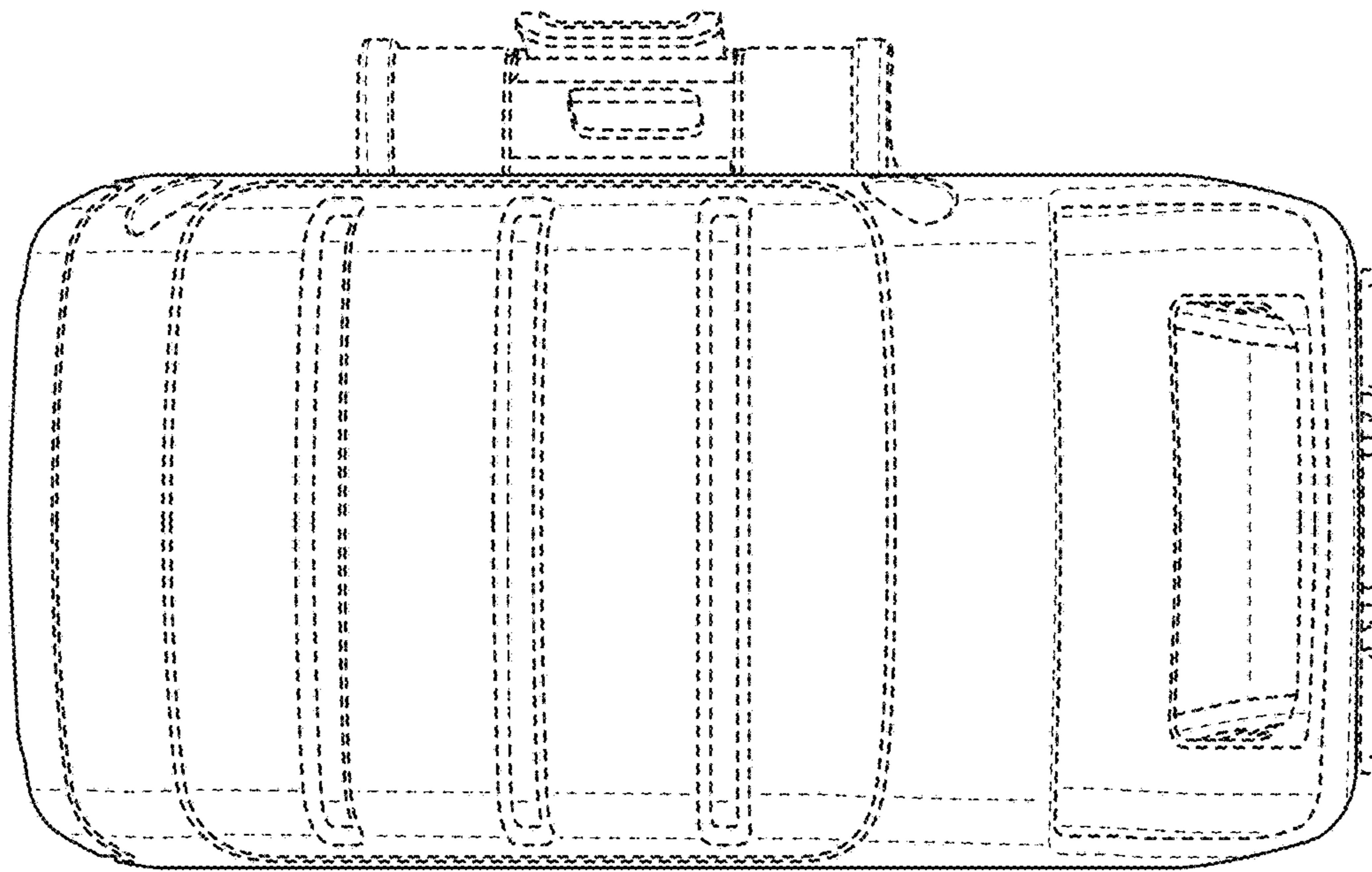


FIG. 6

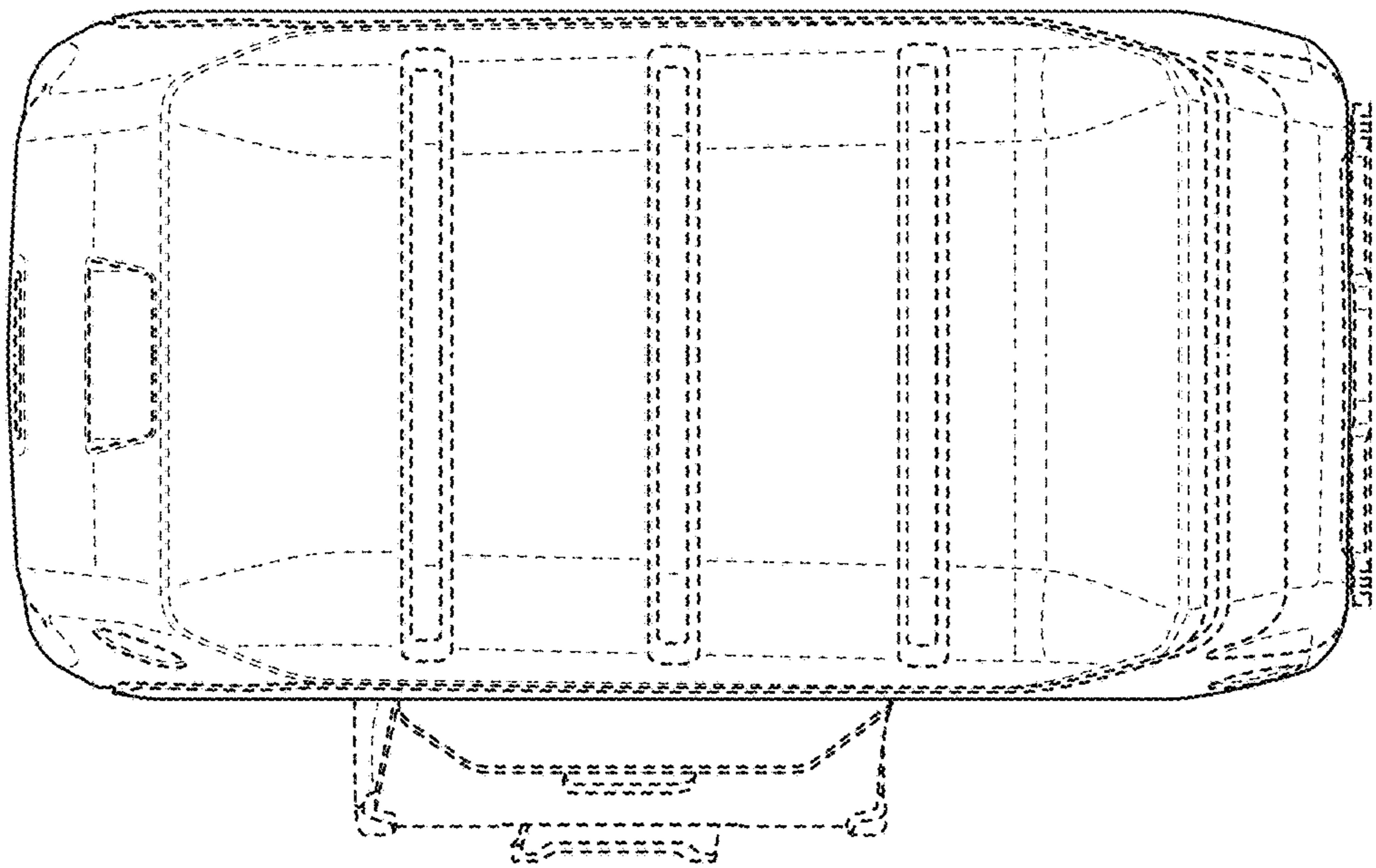


FIG. 7