



US00D894763S

(12) **United States Design Patent** (10) **Patent No.:** **US D894,763 S**
Yu (45) **Date of Patent:** **** Sep. 1, 2020**

(54) **SOIL TESTER**

(71) Applicant: **Jian Yu**, Shenzhen (CN)

(72) Inventor: **Jian Yu**, Shenzhen (CN)

(**) Term: **15 Years**

(21) Appl. No.: **29/735,958**

(22) Filed: **May 26, 2020**

(51) **LOC (12) Cl.** **10-04**

(52) **U.S. Cl.**
USPC **D10/56; D10/81**

(58) **Field of Classification Search**

USPC D10/56, 81
CPC G01N 33/24; G01N 33/246; G01N
2033/243; G01N 2033/245; G01N
2033/248; G01N 15/08; G01N 15/0806;
G01N 2203/0623; G01N 2203/0617;
G01N 2203/06; G01N 2203/0605; G01N
2203/0641; G01N 2203/0647; G01N
2203/0658; G01N 33/241

See application file for complete search history.

(56) **References Cited**

U.S. PATENT DOCUMENTS

4,020,417 A * 4/1977 Brehob G01N 27/048
324/694

D837,071 S 1/2019 Yu
D868,605 S 12/2019 Tang

* cited by examiner

Primary Examiner — Antoine Duval Davis

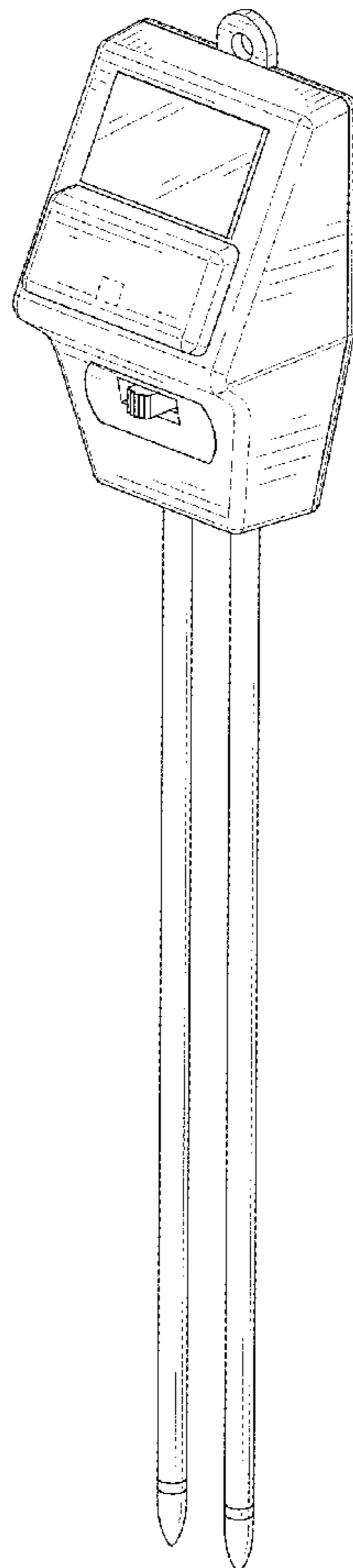
(57) **CLAIM**

The ornamental design for a soil tester, as shown and described.

DESCRIPTION

FIG. 1 is a perspective view of a soil tester showing my new design;
FIG. 2 is another perspective view thereof;
FIG. 3 is a front elevational view thereof
FIG. 4 is a rear elevational view thereof;
FIG. 5 is a left side elevational view thereof;
FIG. 6 is a right side elevational view thereof;
FIG. 7 is a top plan view thereof; and,
FIG. 8 is a bottom plan view thereof.
The broken lines in the drawings depict portions of the soil tester that form no part of the claimed design.

1 Claim, 8 Drawing Sheets



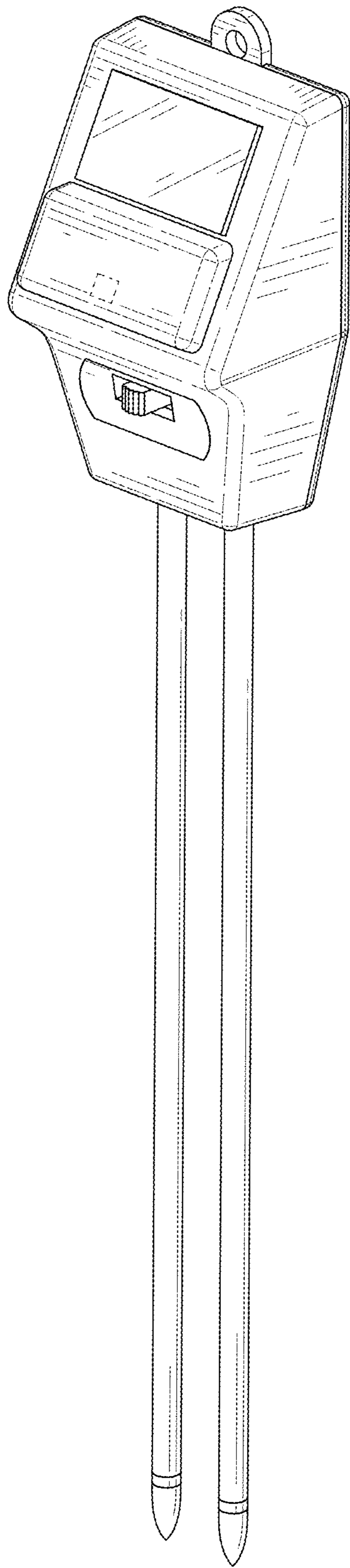


FIG. 1

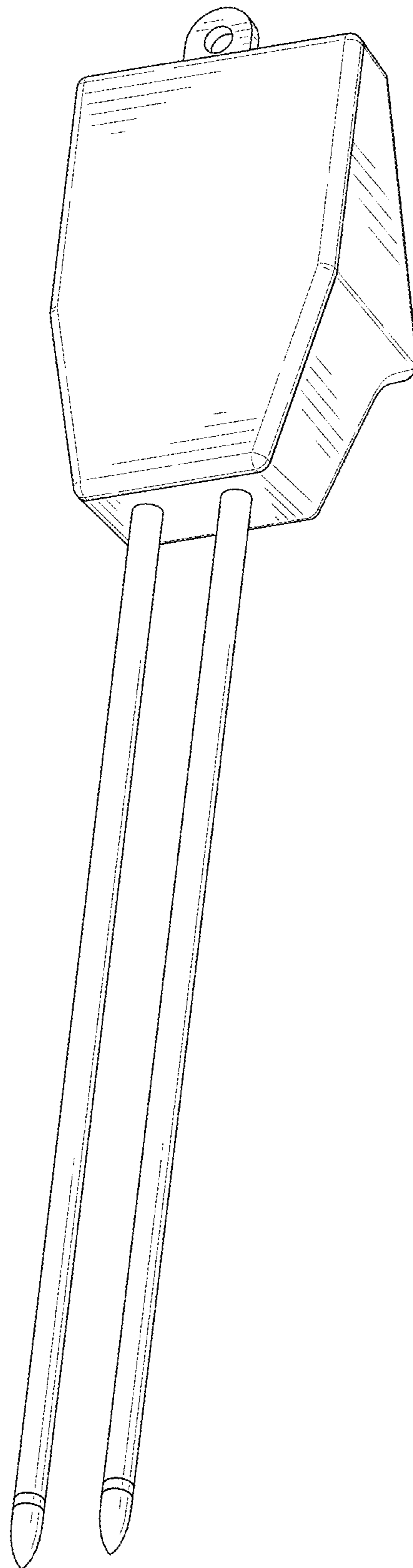


FIG. 2

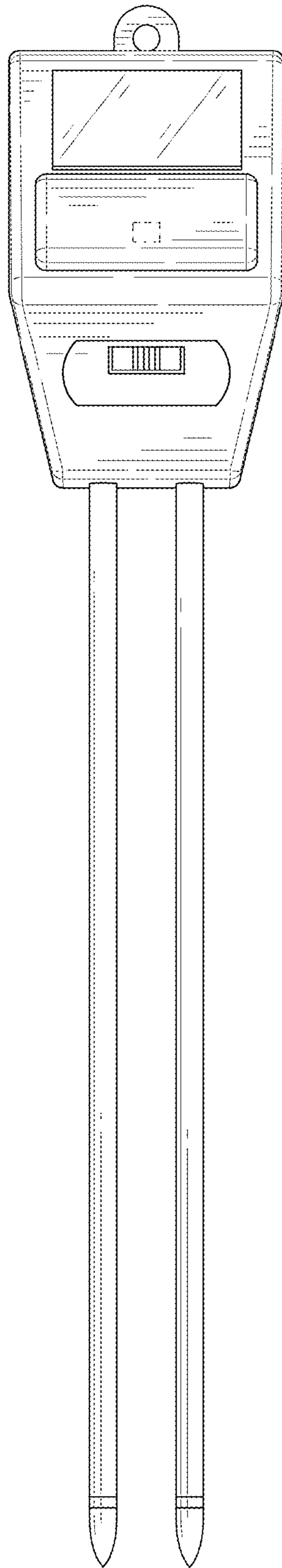


FIG. 3

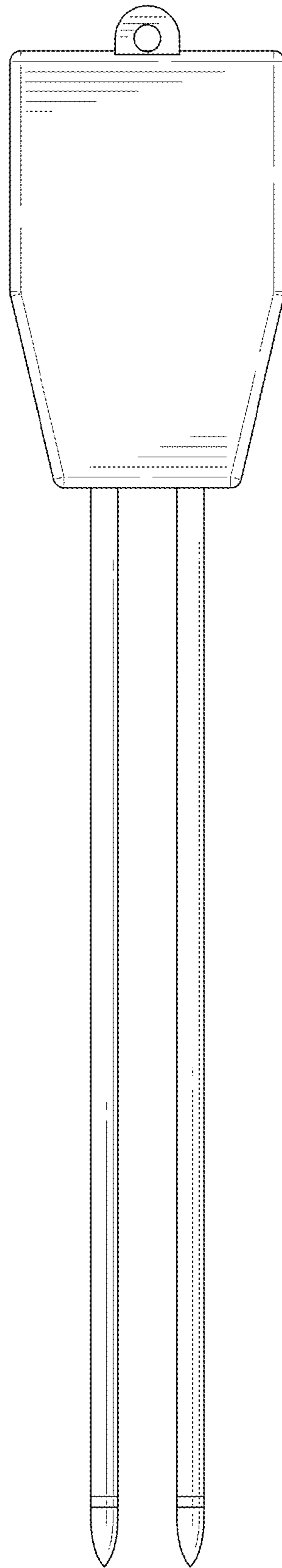


FIG. 4

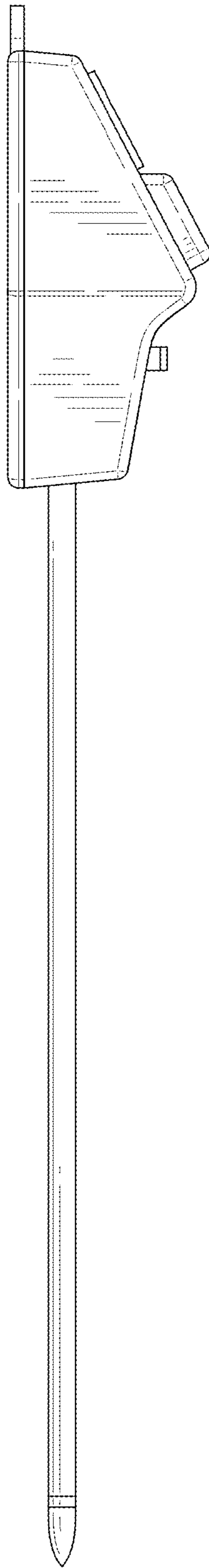


FIG. 5

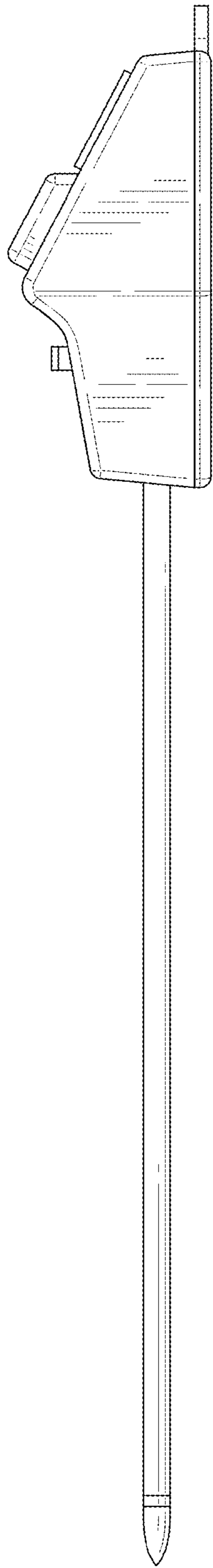


FIG. 6

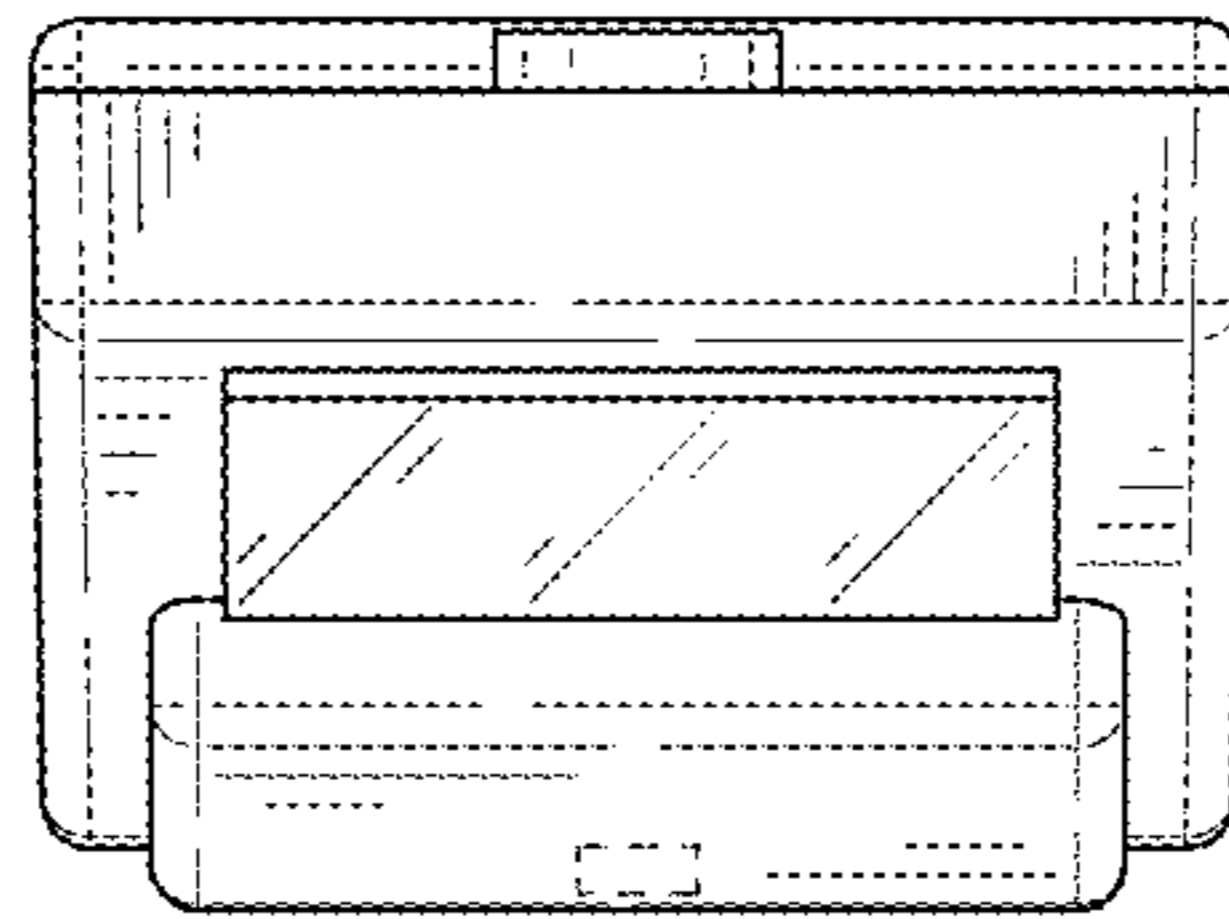


FIG. 7

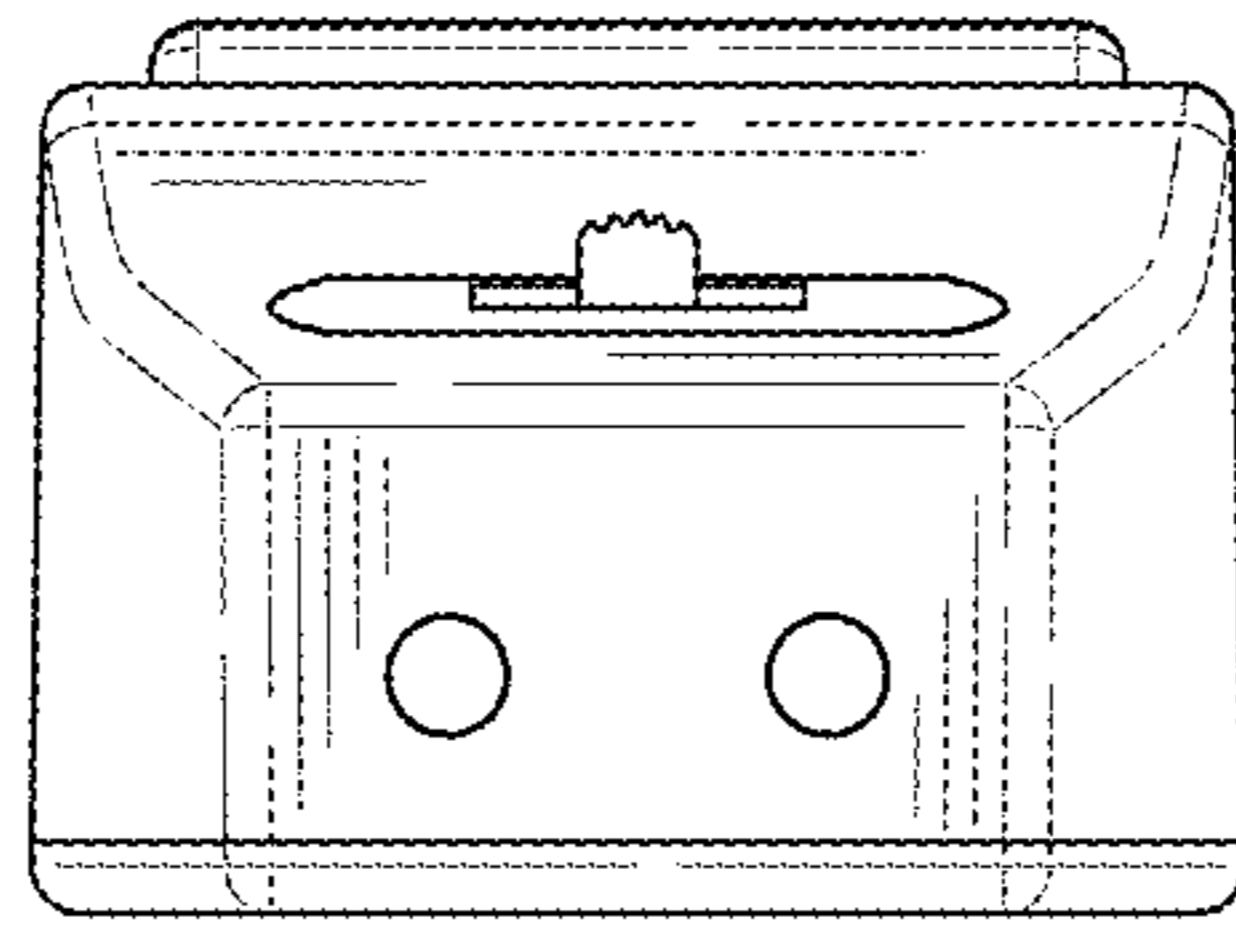


FIG. 8