

US00D894762S

(12) **United States Design Patent** (10) **Patent No.:** **US D894,762 S**
de Gouzillon de Belizal (45) **Date of Patent:** **** Sep. 1, 2020**

(54) **HAIR CLIPPER**

(56) **References Cited**

(71) Applicant: **BABYLISS FACO SPRL**, Wandre (BE)

U.S. PATENT DOCUMENTS

(72) Inventor: **Charles de Gouzillon de Belizal**, Louveigne (BE)

D696,461 S *	12/2013	Prat-Pfister	D28/53
D758,016 S *	5/2016	Andersson	D28/51
D758,661 S *	6/2016	Andersson	D28/51
D758,662 S *	6/2016	De Klein	D28/51
9,381,655 B2 *	7/2016	Lau	B26B 19/06
D824,106 S *	7/2018	Teteak	D28/53
D824,107 S *	7/2018	Teteak	D28/53
D824,108 S *	7/2018	Teteak	D28/53
D827,933 S *	9/2018	Teteak	D28/53
D830,633 S *	10/2018	Gamble	D28/53
D866,861 S *	11/2019	Dawson	D28/53
D880,067 S *	3/2020	Hu	B26B 19/06
				D28/53

(73) Assignee: **BABYLISS FACO SPRL**, Wandre (BE)

(**) Term: **15 Years**

(21) Appl. No.: **35/507,165**

(22) Filed: **Nov. 15, 2018**

* cited by examiner

(80) **Hague Agreement Data**

Int. Filing Date: **Nov. 15, 2018**
 Int. Reg. No.: **DM/202065**
 Int. Reg. Date: **Nov. 15, 2018**
 Int. Reg. Pub. Date: **Aug. 2, 2019**

Primary Examiner — George D. Kirschbaum
Assistant Examiner — Joseph J Kukella

(57) **CLAIM**

The ornamental design for hair clipper, as shown and described.

(30) **Foreign Application Priority Data**

May 18, 2018 (EM) 005272408-0010

(51) **LOC (12) Cl.** **28-03**

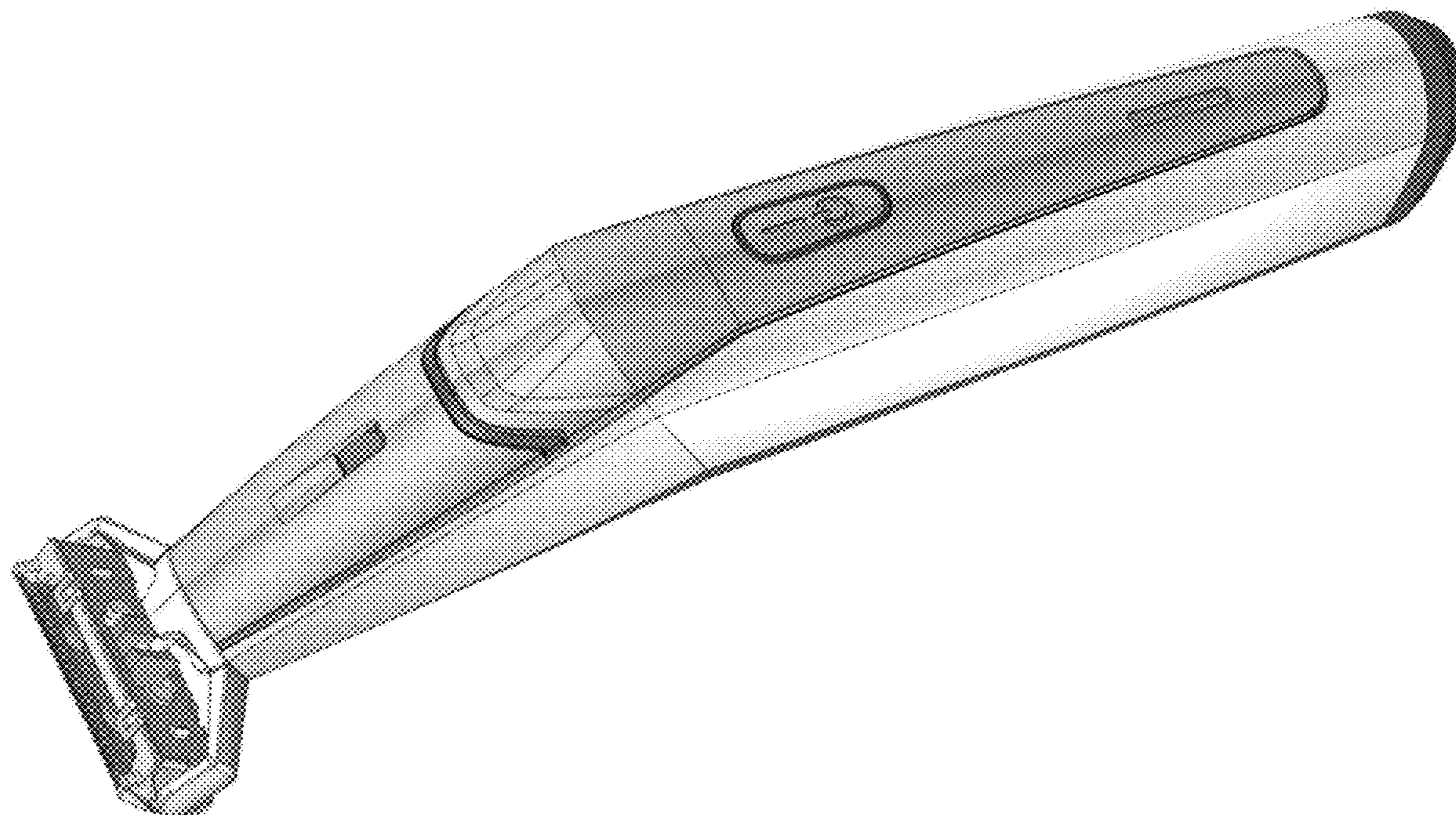
(52) **U.S. Cl.**
USPC **D10/53**

(58) **Field of Classification Search**
 USPC D28/52, 53, 54
 CPC B26B 19/00-08; B26B 19/38-3886
 See application file for complete search history.

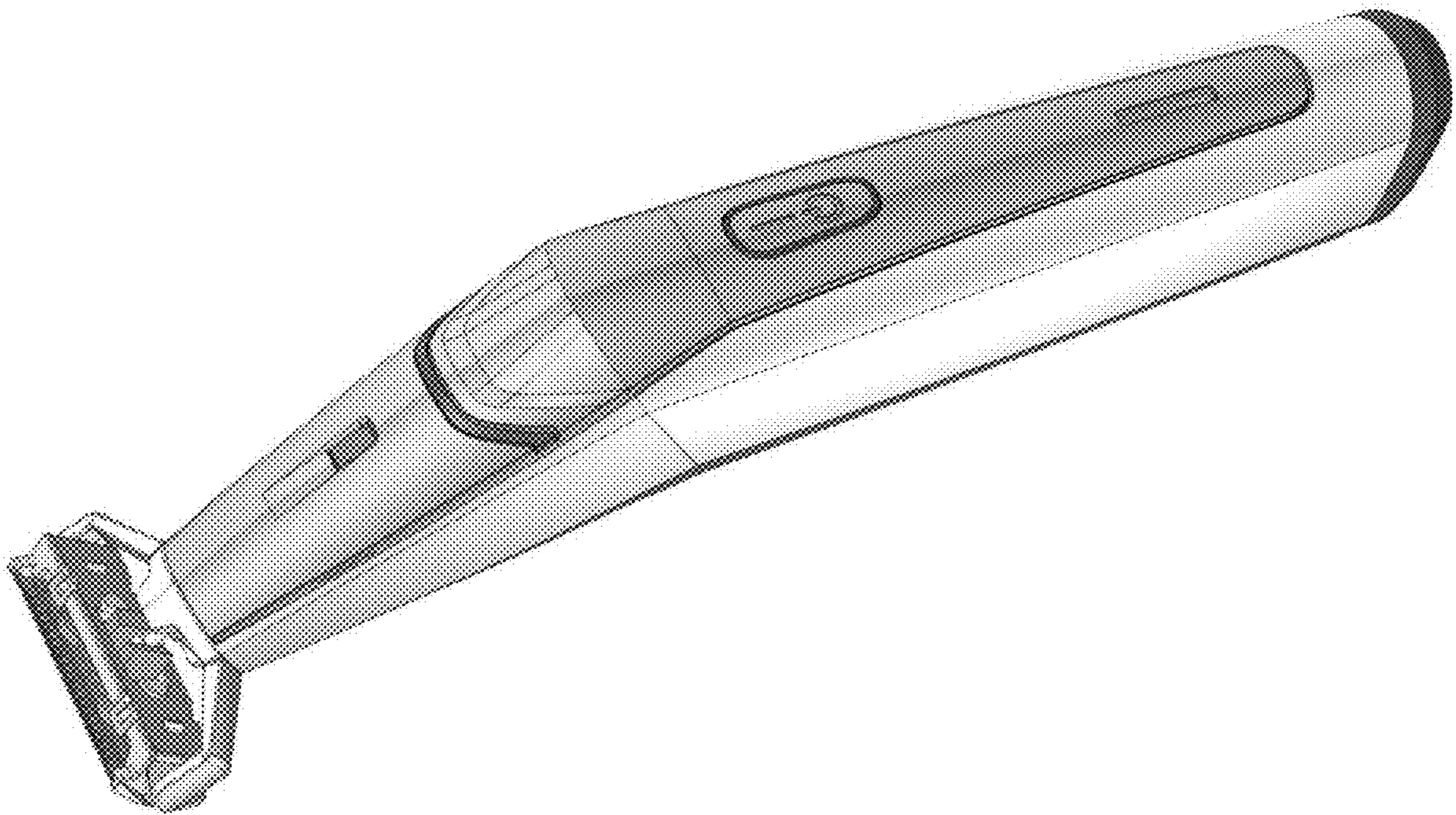
DESCRIPTION

- 1. Hair clipper
- 1.1 : Top Perspective
- 1.2 : Bottom
- 1.3 : Rear
- 1.4 : Top
- 1.5 : Side
- 1.6 : Front
- 1.7 : Bottom Perspective

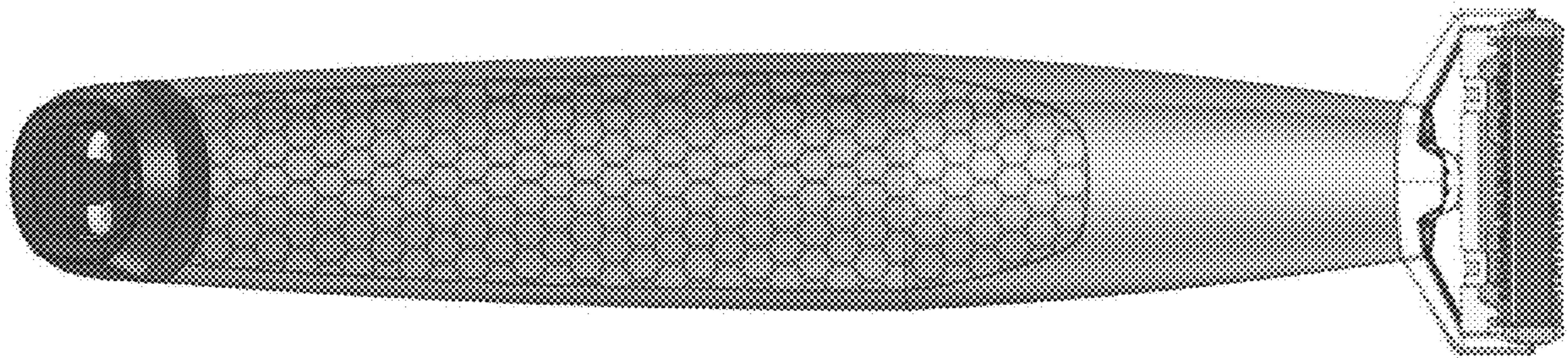
1 Claim, 7 Drawing Sheets



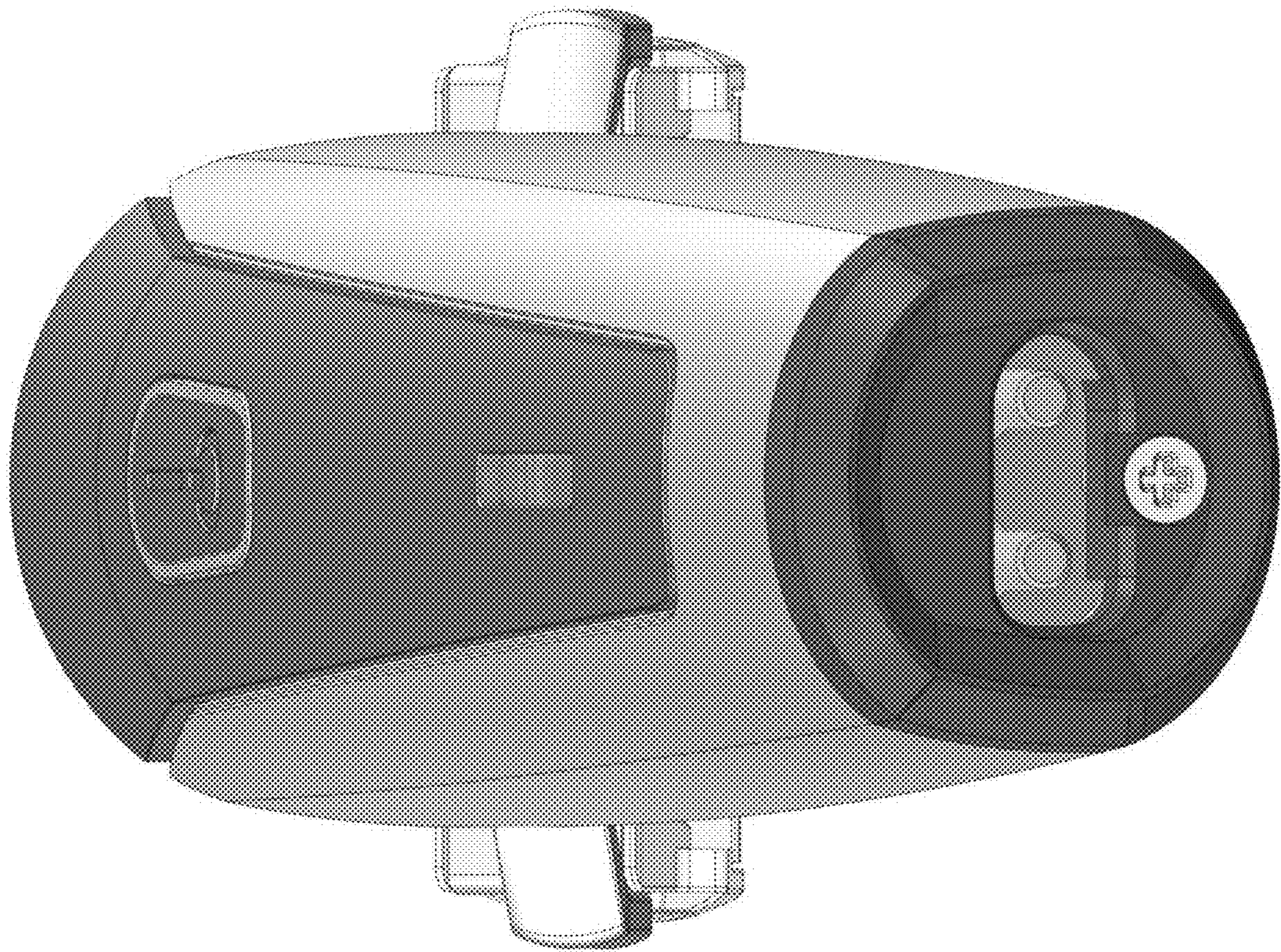
1.1



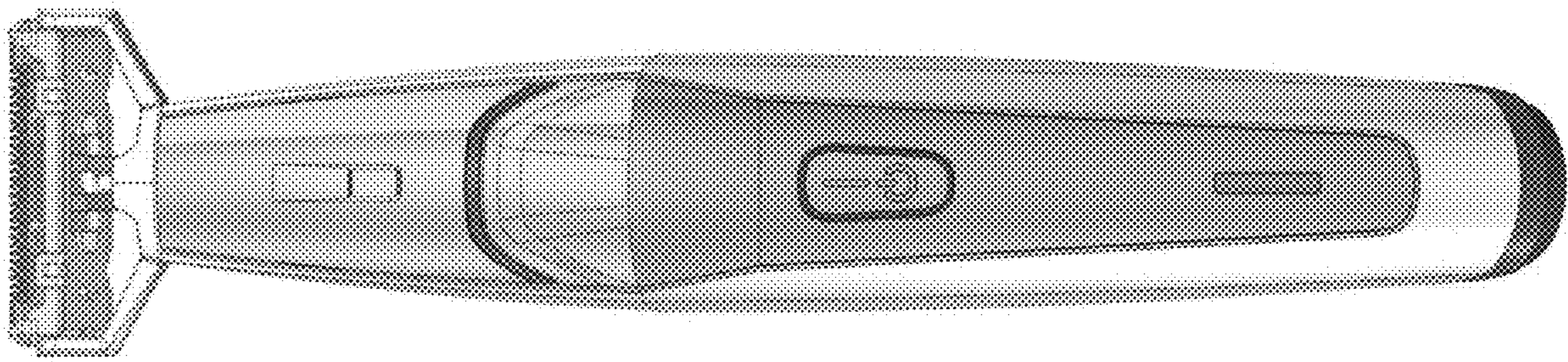
1.2



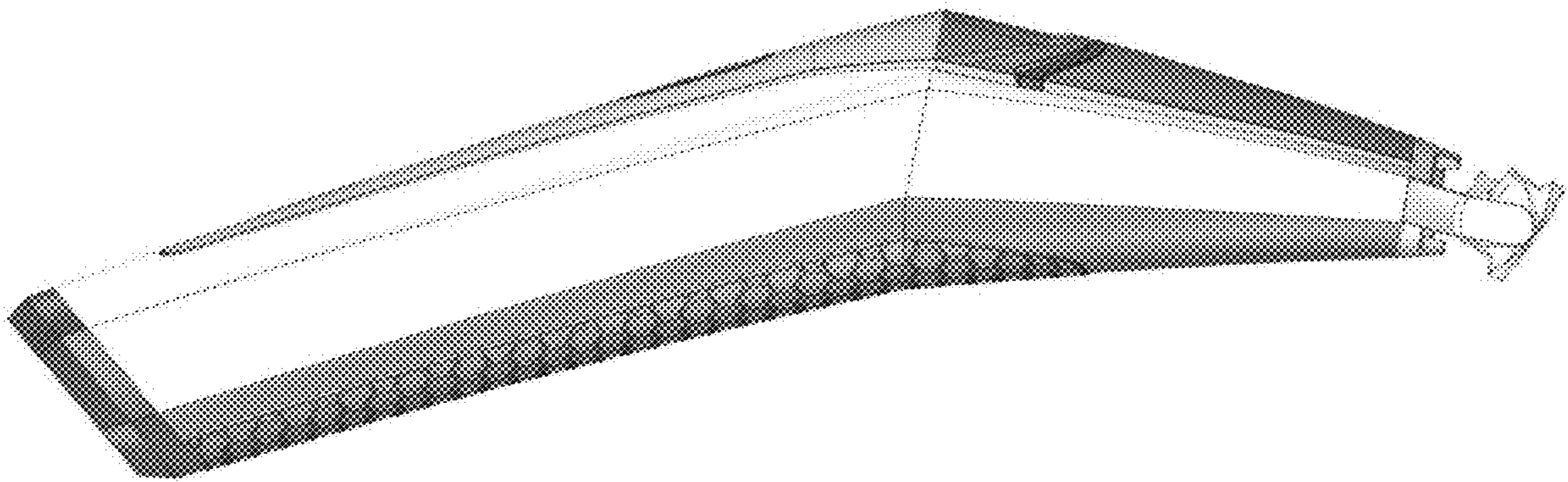
1.3



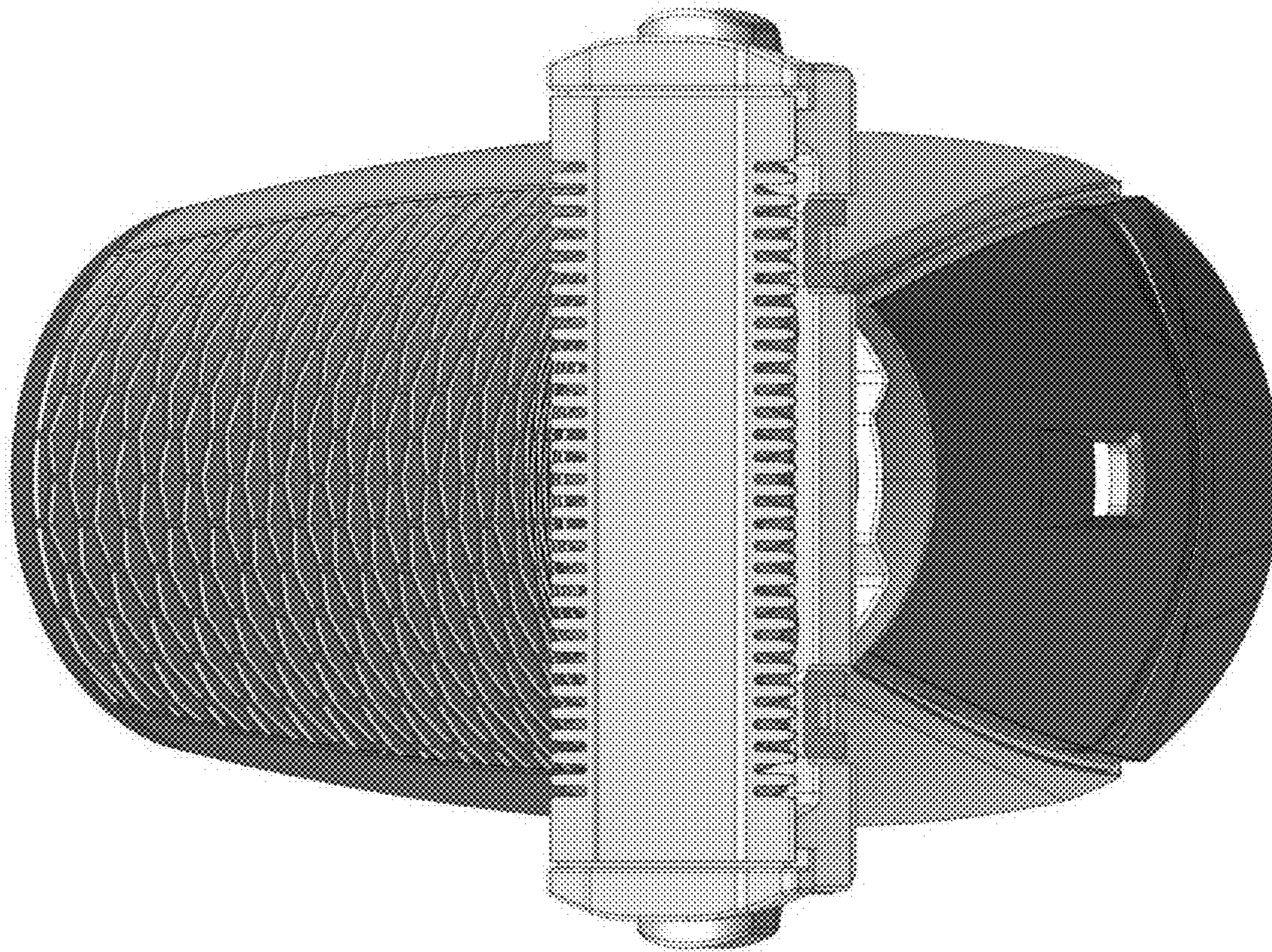
1.4



1.5



1.6



1.7

