



US00D894759S

(12) **United States Design Patent** (10) **Patent No.:** **US D894,759 S**  
**Antifora** (45) **Date of Patent:** **\*\* Sep. 1, 2020**

(54) **WATCH**

(71) Applicant: **Montblanc-Simplo GmbH**, Hamburg (DE)

(72) Inventor: **Valerie Antifora**, La Chaux-de-Fonds (CH)

(73) Assignee: **Montblanc-Simplo GmbH**, Hamburg (DE)

(\*\*) Term: **15 Years**

(21) Appl. No.: **29/648,977**

(22) Filed: **May 25, 2018**

(30) **Foreign Application Priority Data**

Nov. 27, 2017 (WO) ..... DM/098982

(51) **LOC (12) Cl.** ..... **10-02**

(52) **U.S. Cl.**  
USPC ..... **D10/39**

(58) **Field of Classification Search**

USPC ..... D10/30-39, 122-124, 126  
CPC ..... G04B 19/06; G04B 19/10; G04B 19/103;  
G04B 19/12; G04B 19/24; G04B  
45/0069; G04B 45/0076; G04B 45/02;  
G04F 7/08; G04F 7/0842; G04F 7/0871;  
G09B 27/00-27/06

See application file for complete search history.

(56) **References Cited**

**U.S. PATENT DOCUMENTS**

D159,294 S \* 7/1950 Owinski ..... D10/10  
D244,672 S \* 6/1977 Molyneux ..... D10/126  
4,579,460 A \* 4/1986 Shannon ..... G04B 19/223  
368/23  
D559,131 S \* 1/2008 Laucella ..... D10/39  
D628,506 S \* 12/2010 Plange ..... D10/124  
D651,099 S \* 12/2011 Ruffieux ..... D10/38

D659,044 S \* 5/2012 Kauffmann ..... D10/126  
D677,176 S \* 3/2013 Ruffieux ..... D10/39  
D678,081 S \* 3/2013 Cabiddu ..... D10/38

(Continued)

**OTHER PUBLICATIONS**

Montblanc Metamorphosis II | posted at ablogtowatch.com Sep. 2014 [online]. © 2007-2019 aBlogtoWatch [retrieved May 15, 2019] from Internet: <<https://www.ablogtowatch.com/montblanc-metamorphosis-ii-re-interprets-unique-transforming-dial/>> (Year: 2014).\*

(Continued)

*Primary Examiner* — Sandra S Snapp  
*Assistant Examiner* — Katherine Glennon  
(74) *Attorney, Agent, or Firm* — Taft Stettinius & Hollister LLP

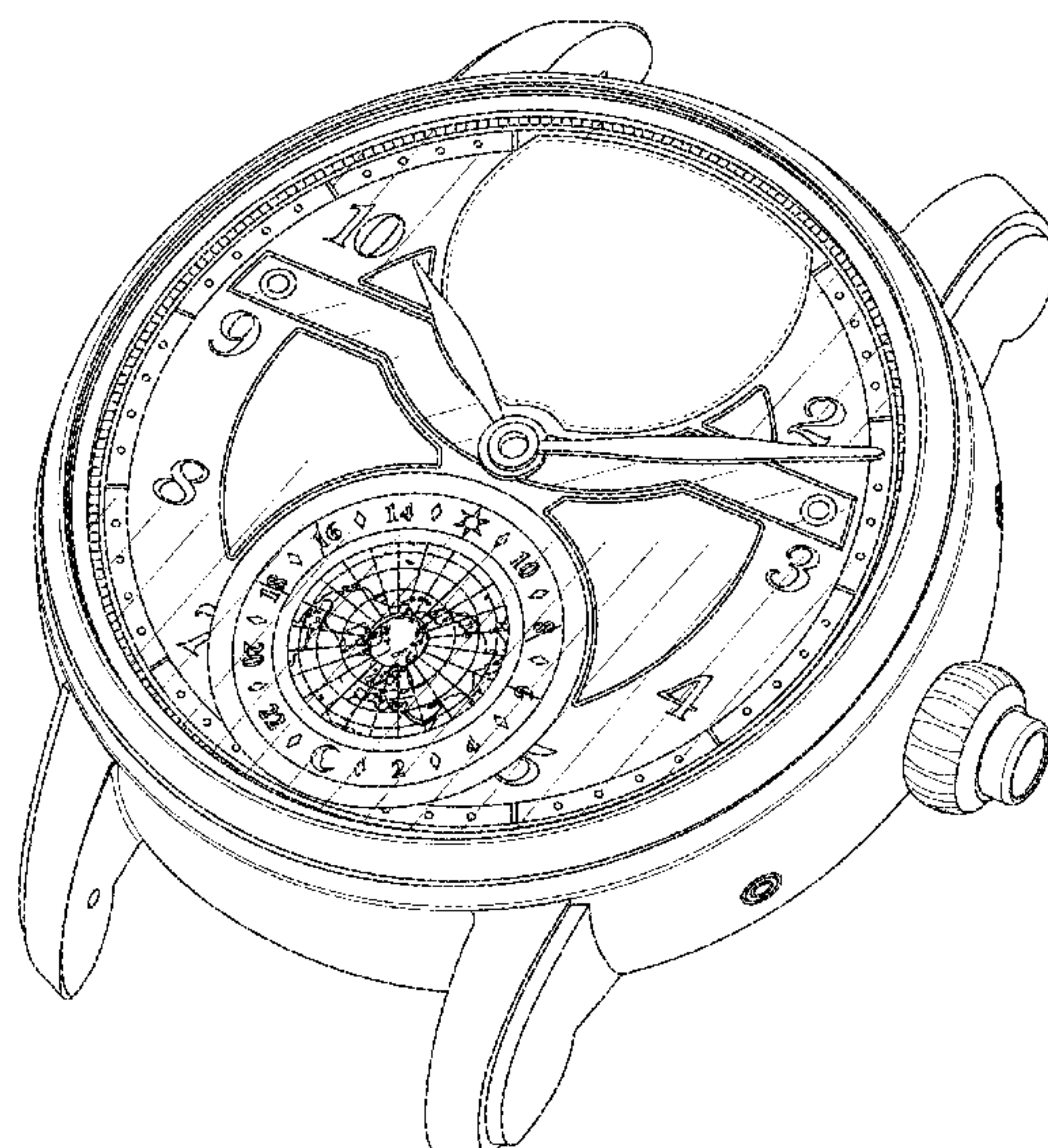
(57) **CLAIM**

The ornamental design for a watch, as shown and described.

**DESCRIPTION**

FIG. 1 is a front elevation view of a watch showing my new design with the front cover removed for ease of illustration; FIG. 2 is a back elevation view thereof; FIG. 3 is a right side elevation view thereof, shown with the front cover in place; FIG. 4 is a left side elevation view thereof, shown with the front cover in place; FIG. 5 is a bottom plan view thereof, shown with the front cover in place; FIG. 6 is a top plan view thereof, shown with the front cover in place; FIG. 7 is a front, right side perspective view thereof with the front cover removed for ease of illustration; and, FIG. 8 is a back, left side perspective view thereof. The broken lines in the drawings show portions of the watch that form no part of the claimed design.

**1 Claim, 8 Drawing Sheets**



(56)

**References Cited**

U.S. PATENT DOCUMENTS

D685,280	S	*	7/2013	Muller	.....	D10/126
D705,670	S	*	5/2014	Emmenegger	.....	D10/32
D735,056	S	*	7/2015	Hamel	.....	D10/126
D762,127	S	*	7/2016	Jeannet	.....	D10/126
D773,951	S	*	12/2016	Bode	.....	D10/126
D778,758	S	*	2/2017	Ruffieux	.....	D10/126
D791,003	S	*	7/2017	Ruffieux	.....	D10/126
D798,178	S	*	9/2017	Muller	.....	D10/126
D816,530	S	*	5/2018	Antifora	.....	D10/126
D816,531	S	*	5/2018	Antifora	.....	D10/126
D817,191	S	*	5/2018	Antifora	.....	D10/39
D818,847	S	*	5/2018	Antifora	.....	D10/39
D821,243	S	*	6/2018	Usadel	.....	D10/126
D821,905	S	*	7/2018	Ruffieux	.....	D10/126
D823,706	S	*	7/2018	Dicks	.....	D10/126
D824,792	S	*	8/2018	Antifora	.....	D10/126
D835,526	S	*	12/2018	Pillot	.....	D10/39

OTHER PUBLICATIONS

Hands-On with Montblanc Metamorphosis II | posted at hautetime.com Oct. 2014 [online]. © 2019 Haute Time [retrieved May 15, 2019] from Internet: <<https://www.hautetime.com/hands-on-with-the-montblanc-metamorphosis-two/59646> (Year: 2014).\*

\* cited by examiner



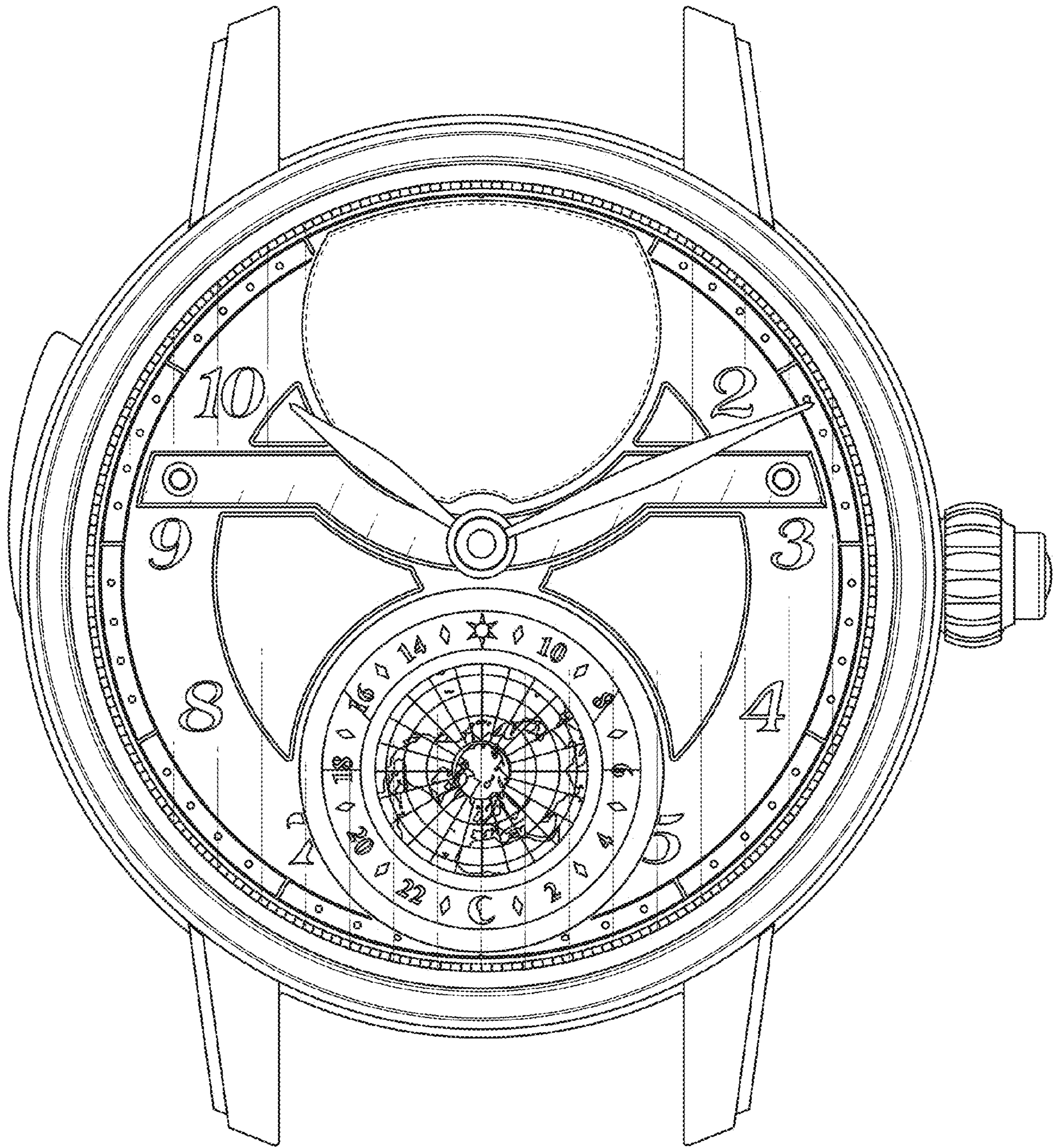


Fig. 1

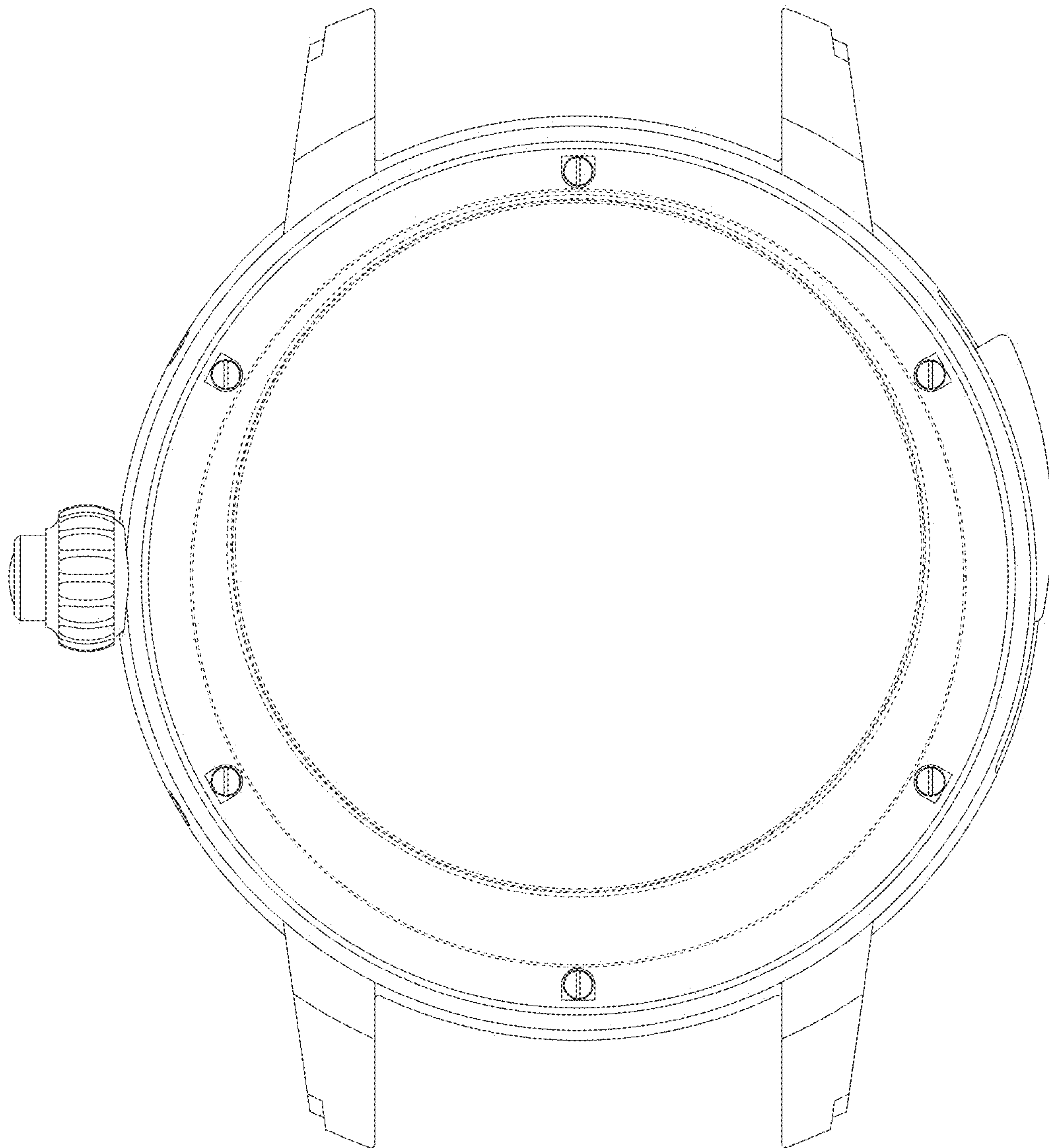


Fig. 2

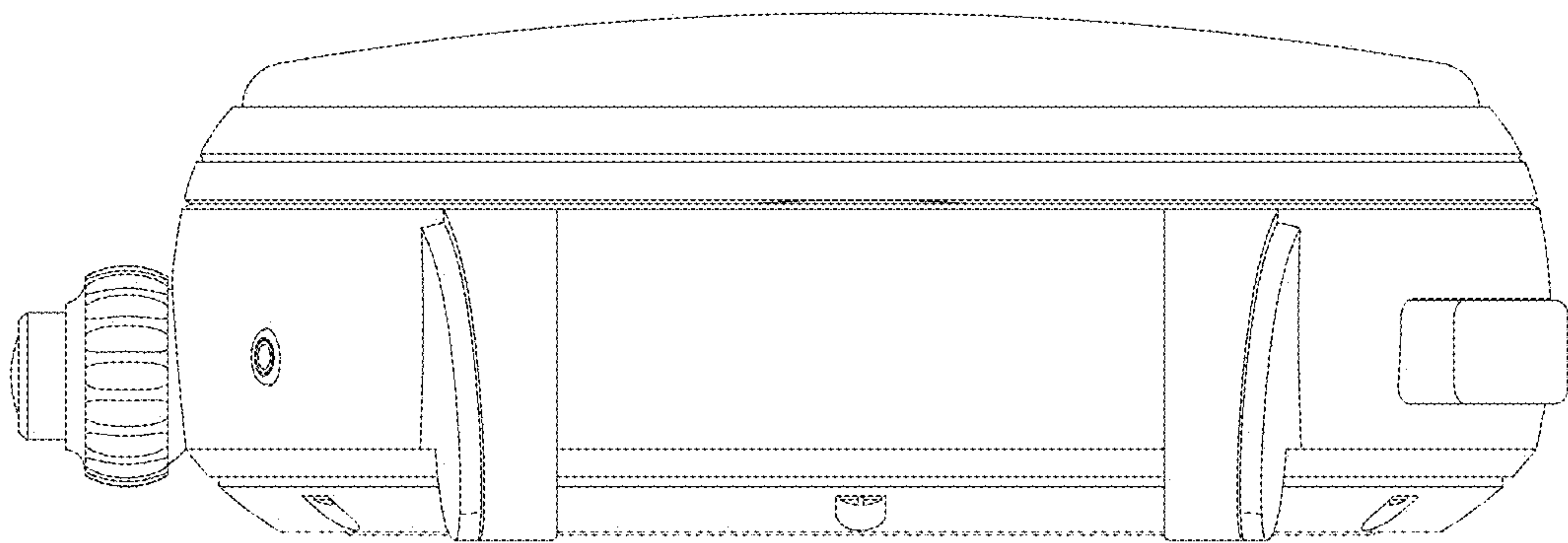


Fig. 3

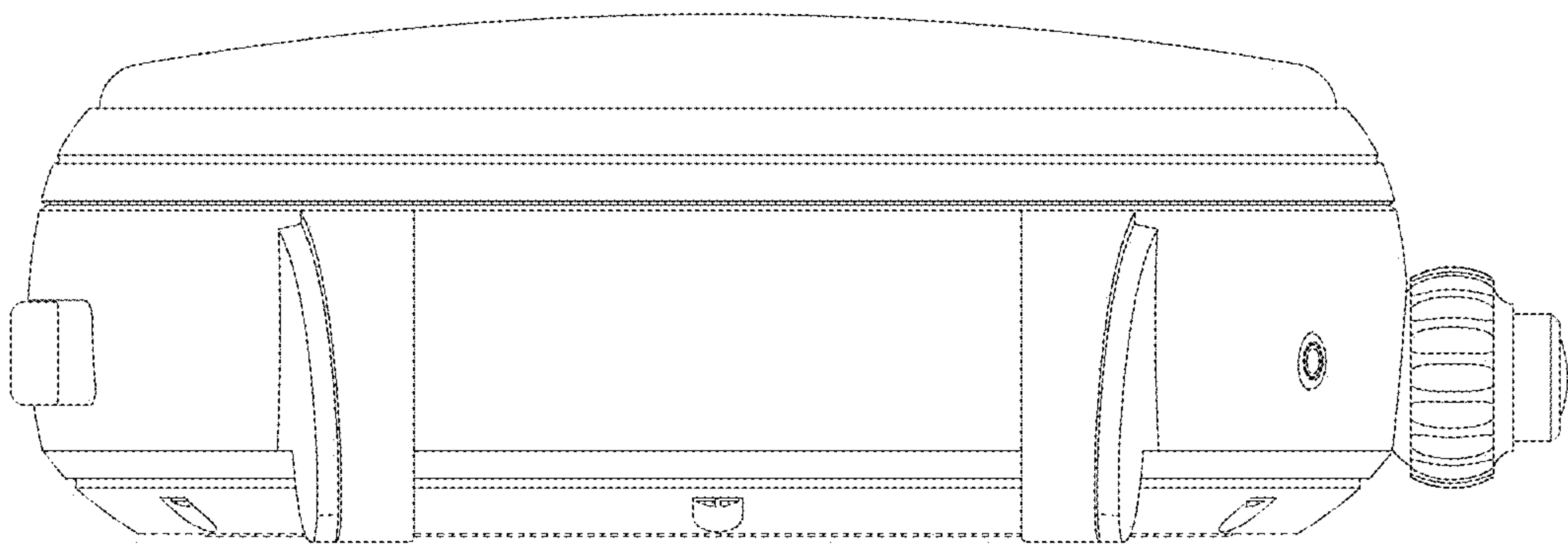


Fig. 4

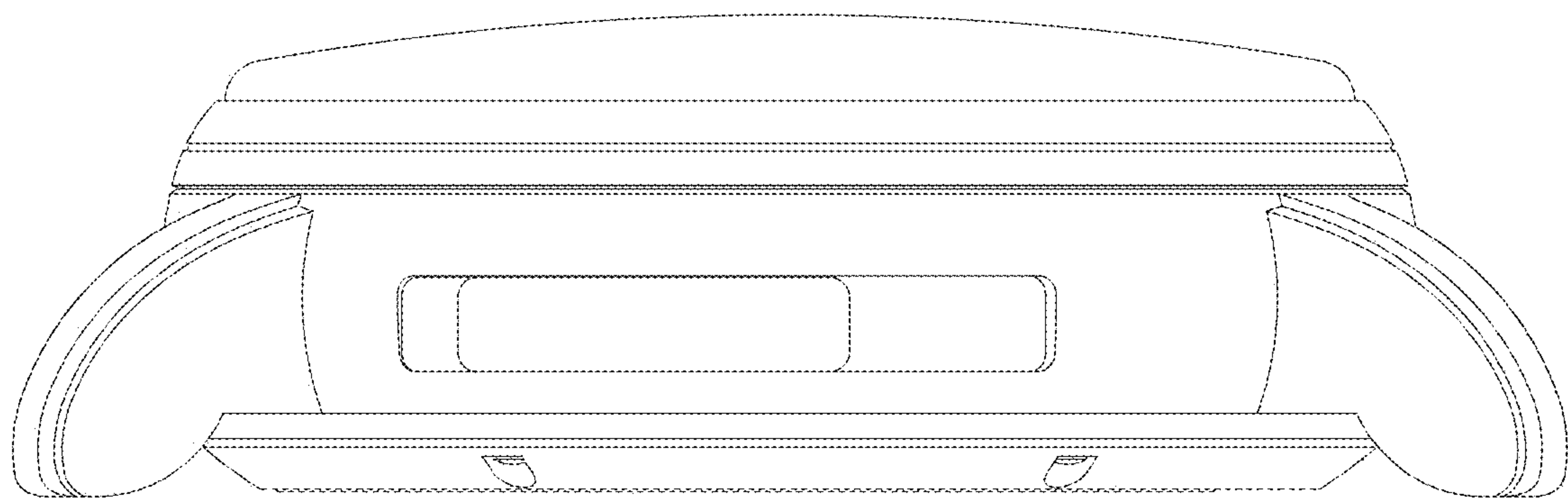


Fig. 5



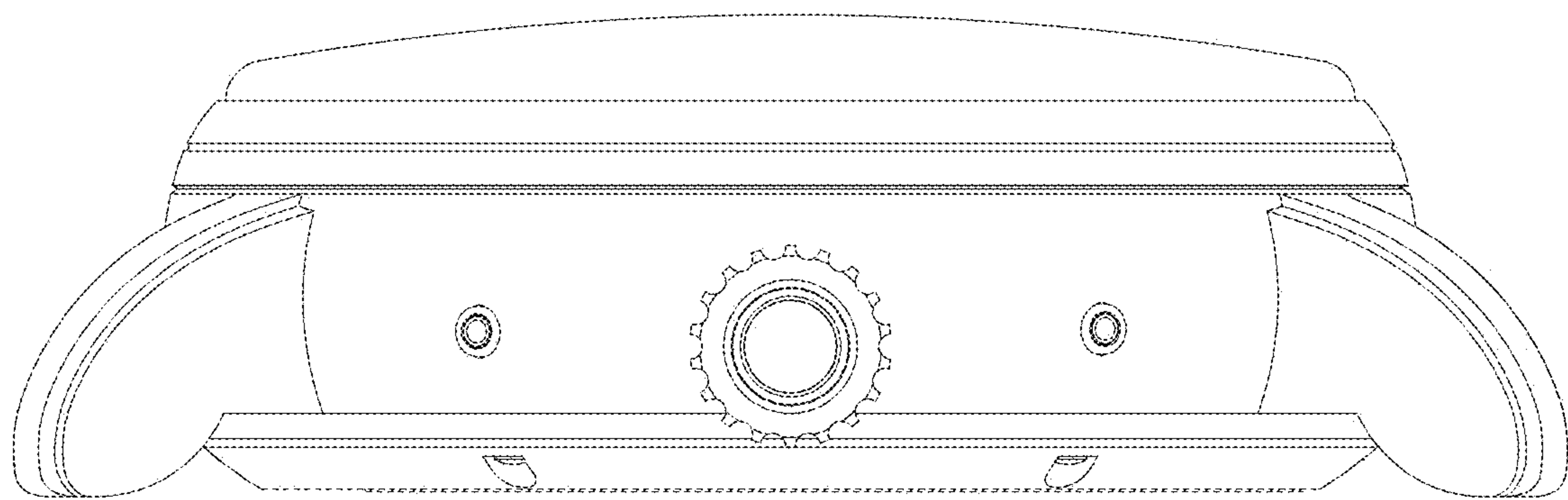


Fig. 6



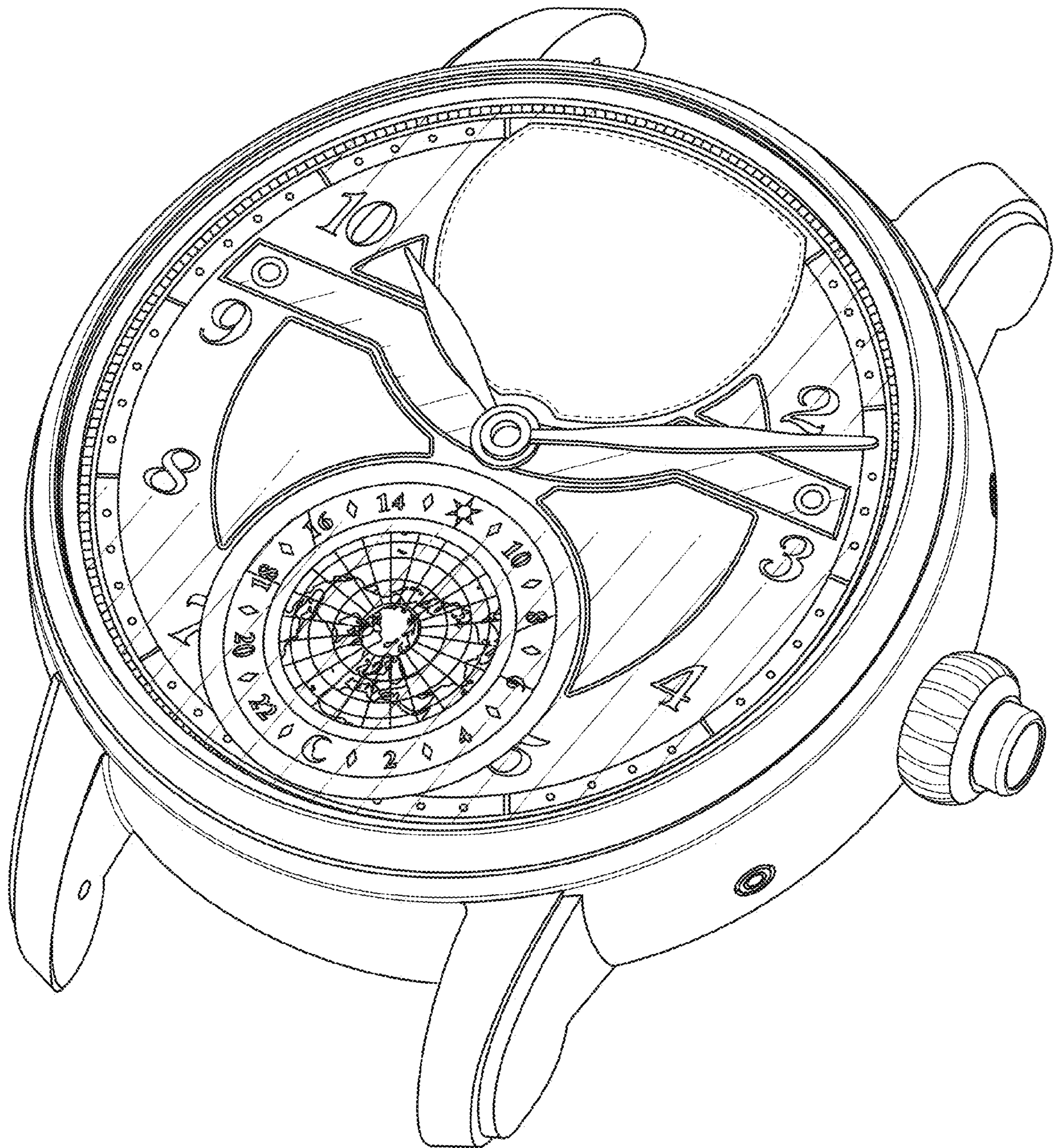


Fig. 7

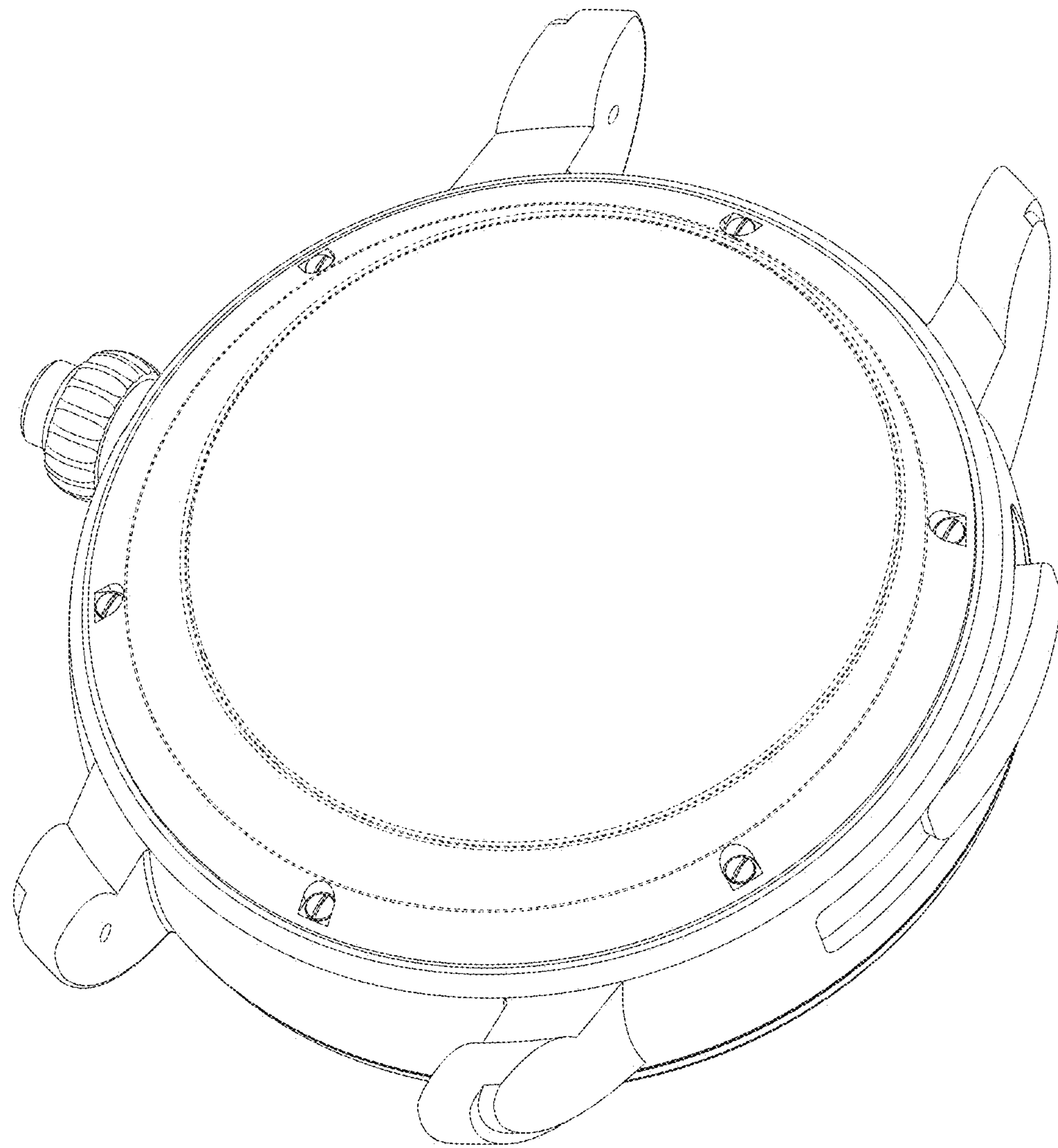


Fig. 8