



US00D894755S

(12) **United States Design Patent** (10) **Patent No.:** **US D894,755 S**
Coon (45) **Date of Patent:** **** Sep. 1, 2020**

(54) **BEVERAGE BOTTLE HOLDING A CRYSTAL**

(71) Applicant: **Dylan Coon**, Lehi, UT (US)

(72) Inventor: **Dylan Coon**, Lehi, UT (US)

(**) Term: **15 Years**

(21) Appl. No.: **29/672,614**

(22) Filed: **Dec. 6, 2018**

(51) **LOC (12) Cl.** **09-03**

(52) **U.S. Cl.**
USPC **D9/719; D7/507**

(58) **Field of Classification Search**
USPC D9/504, 529, 531, 534, 535, 540, 719;
D7/510, 511, 536

CPC A47G 19/22; A47G 19/2205; A47G
19/2266; A47J 41/02; B65D 47/066

See application file for complete search history.

(56) **References Cited**

U.S. PATENT DOCUMENTS

D160,876 S	11/1950	Mesi	
D289,143 S	4/1987	Guillaume	
D320,347 S	10/1991	Lucarelli	
D517,411 S *	3/2006	Okimoto	D11/152
D650,294 S *	12/2011	Foster	D9/719
D652,722 S *	1/2012	Robertson	D9/504
D727,682 S *	4/2015	Madvin	D7/397
D729,579 S *	5/2015	Molayem	D7/507
D742,174 S *	11/2015	Roth	D7/300.2
D747,924 S *	1/2016	Roth	D23/207
D813,678 S *	3/2018	Kalagher	D9/504
D818,775 S *	5/2018	Woodruff	D7/510
D820,043 S	6/2018	Leslie-Shattenkirk	
D829,053 S	9/2018	Leslie-Shattenkirk	
D832,049 S *	10/2018	Christener	D7/507
2008/0251063 A1 *	10/2008	Palena	A47J 36/2416 126/263.09
2014/0008311 A1 *	1/2014	Weston	B01D 29/0072 210/808

OTHER PUBLICATIONS

<https://www.mysticwish.co.uk/crystals/crystal-infused-water-bottles-top-step-by-step-guide/> (at least as early as Aug. 2018).
U.S. Appl. No. 62/794,760, filed Jan. 21, 2019 (inventor Dylan Coon).
Design U.S. Appl. No. 29/674,716, filed Dec. 24, 2018 (inventor Dylan Coon).

* cited by examiner

Primary Examiner — Lauren R Calve

(74) *Attorney, Agent, or Firm* — Bateman IP

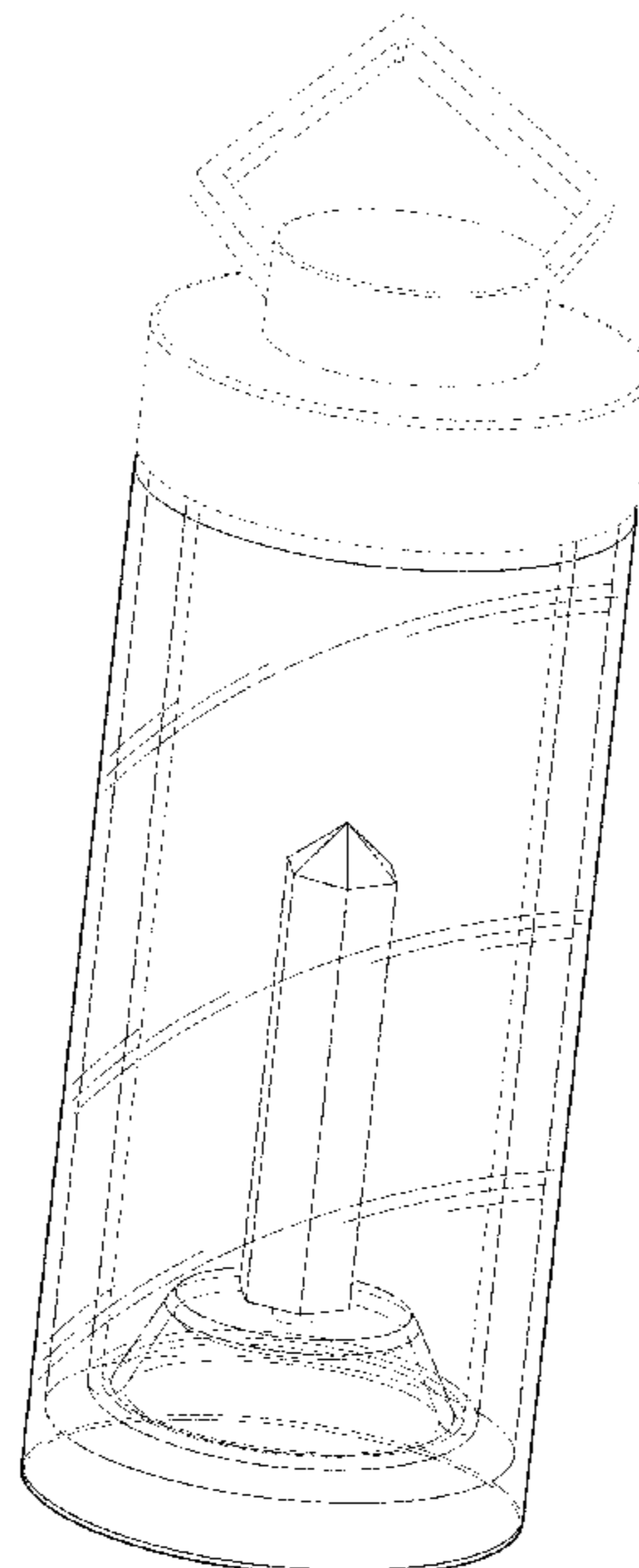
(57) **CLAIM**

The ornamental design for a beverage bottle holding a crystal, substantially as shown and described.

DESCRIPTION

FIG. 1 is a front perspective view of a beverage bottle holding a crystal showing the new design;
FIG. 2 is a front elevational view of a beverage bottle holding a crystal showing the new design;
FIG. 3 is a rear elevational view of a beverage bottle holding a crystal showing the new design;
FIG. 4 is a side elevational view of a beverage bottle holding a crystal showing the new design;
FIG. 5 is an opposing side elevational view of a beverage bottle holding a crystal showing the new design;
FIG. 6 is a top plan view of a beverage bottle holding a crystal showing the new design; and,
FIG. 7 is a bottom plan view of a beverage bottle holding a crystal showing the new design.
The broken lines shown in the drawings depict portions of the beverage bottle that form no part of the claimed design.

1 Claim, 6 Drawing Sheets



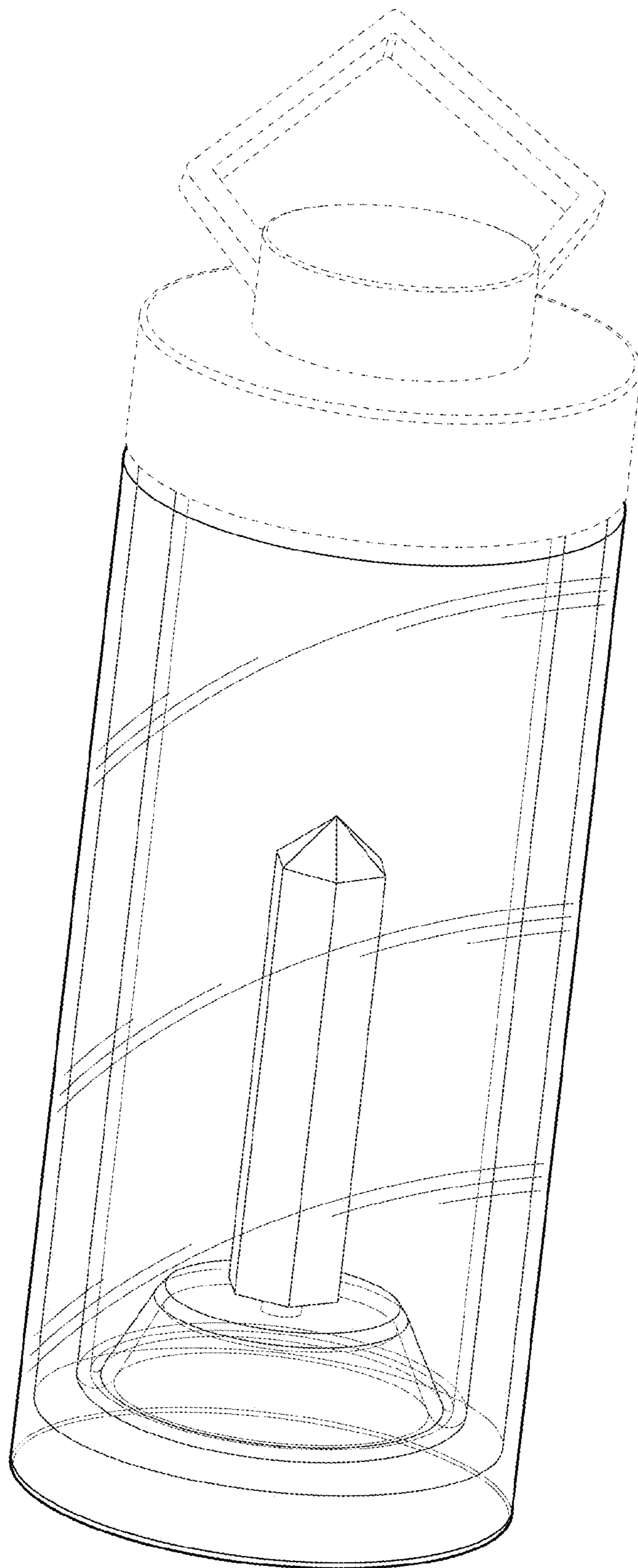


FIG. 1

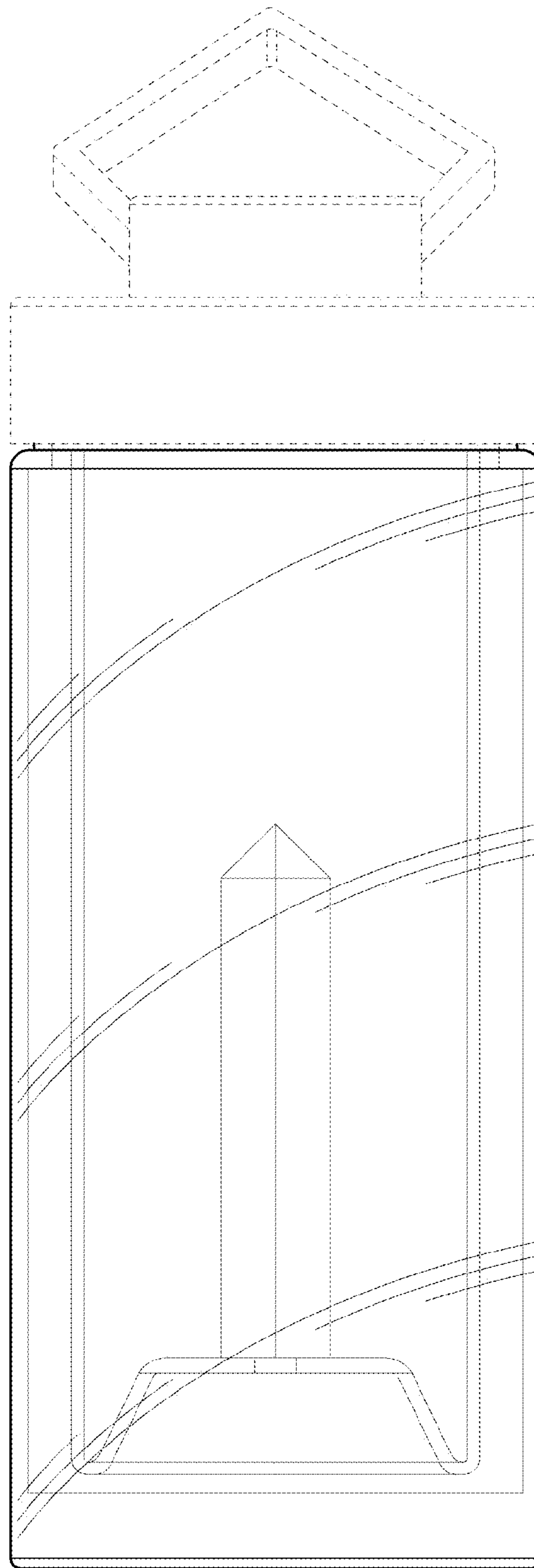


FIG. 2

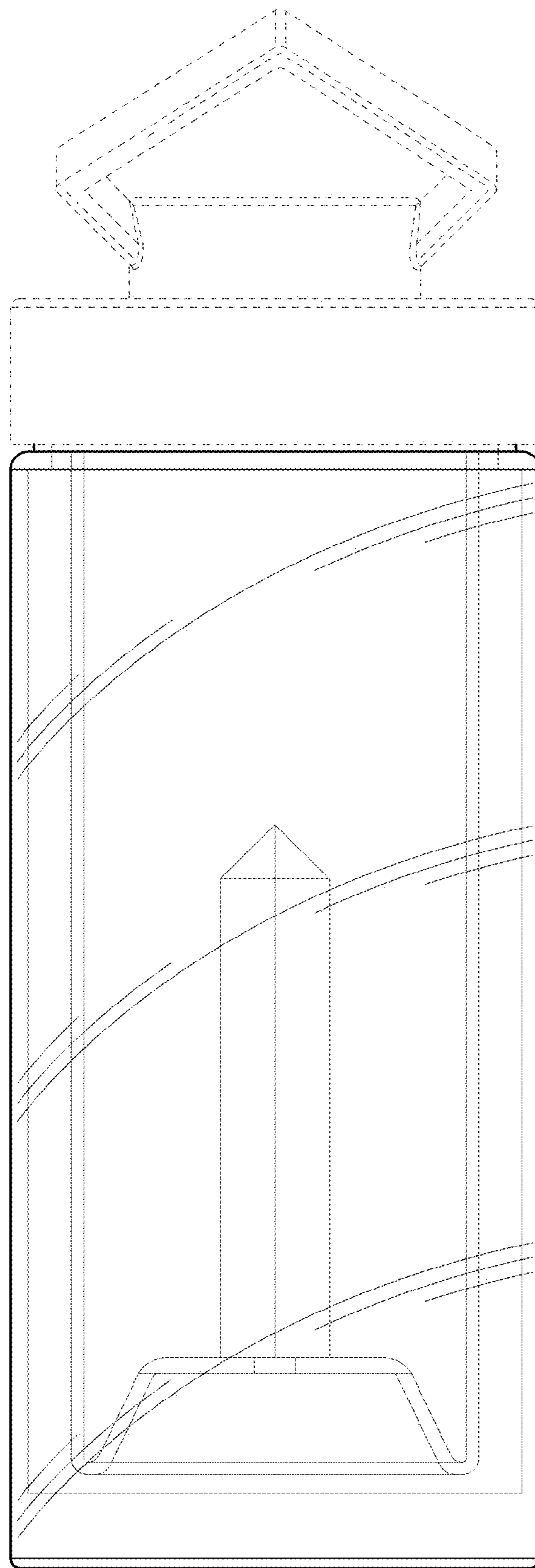


FIG. 3

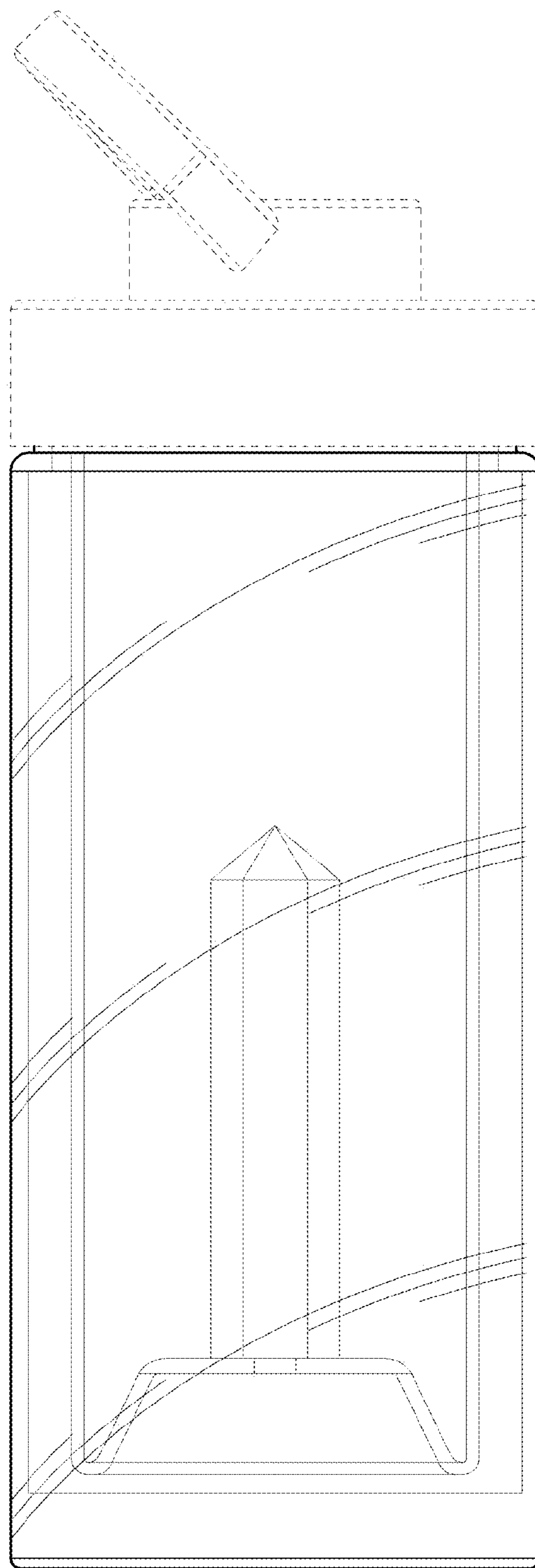


FIG. 4

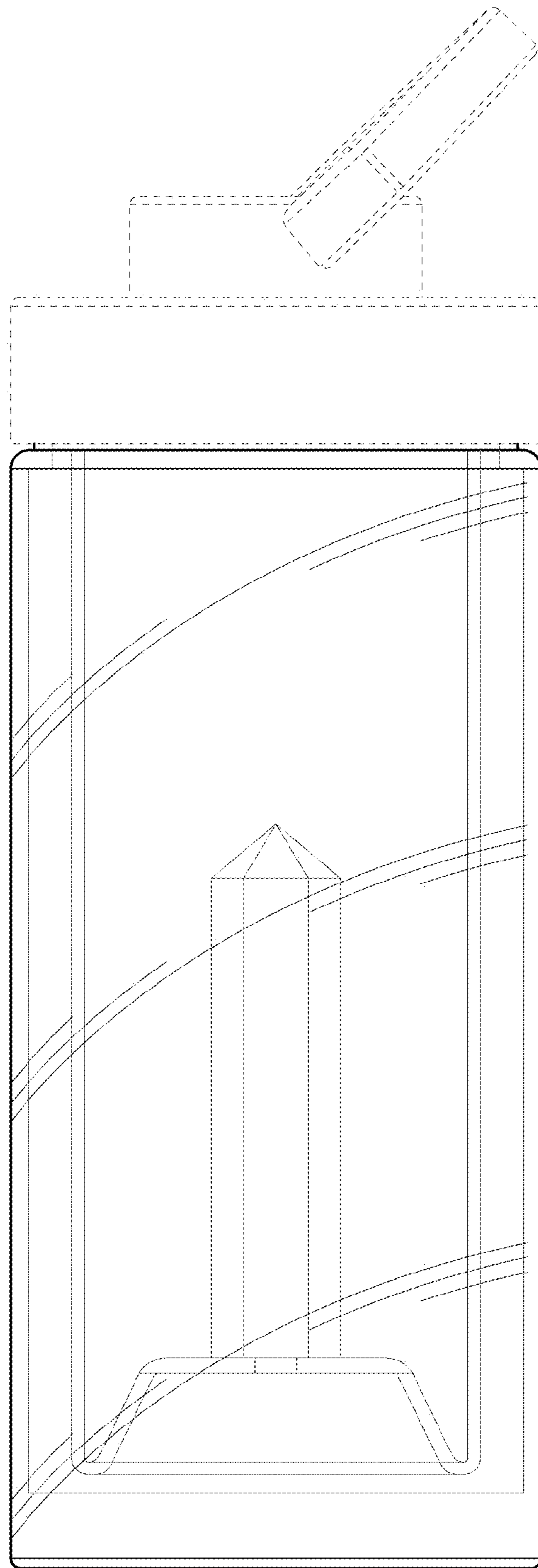


FIG. 5

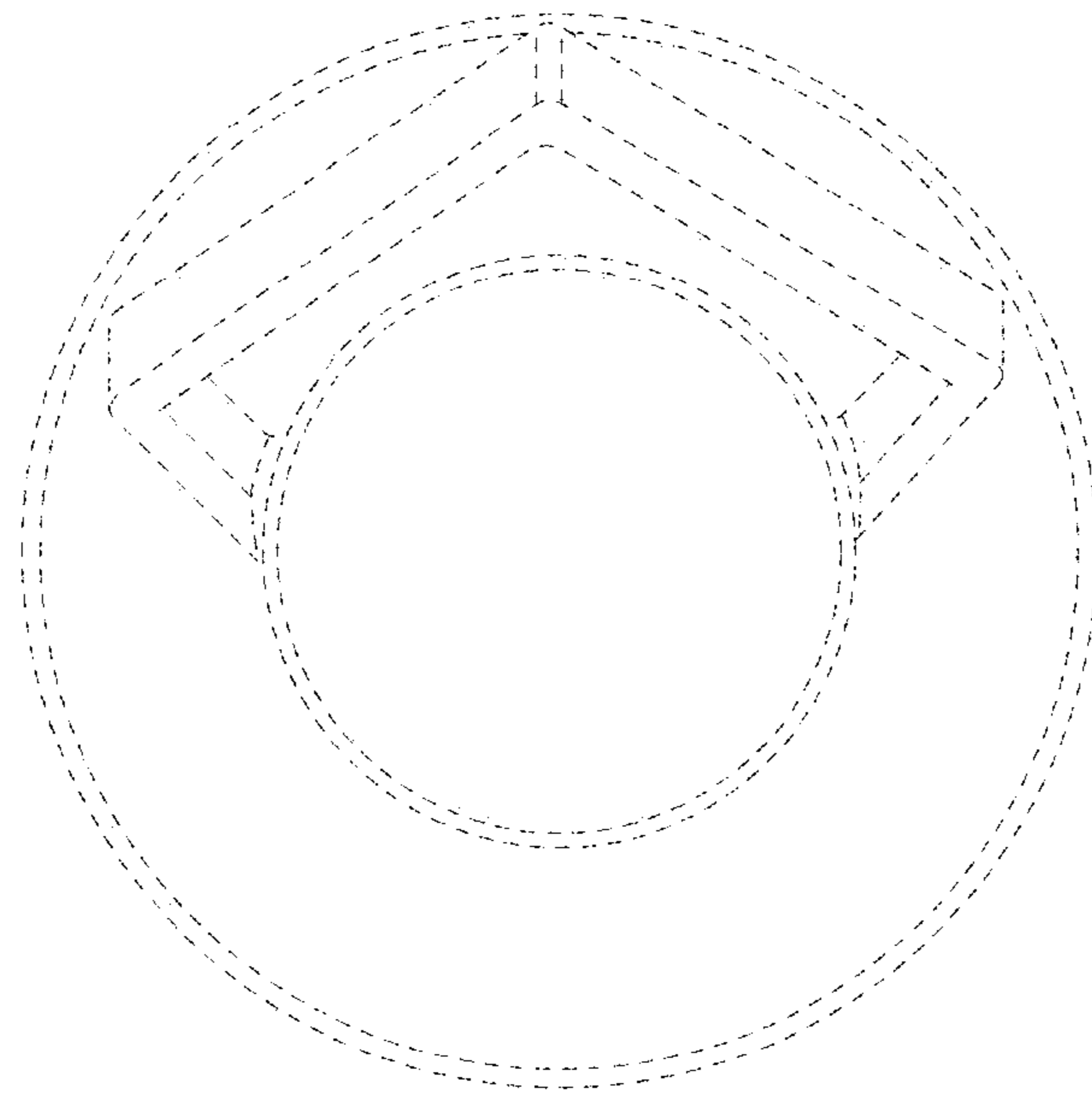


FIG. 6

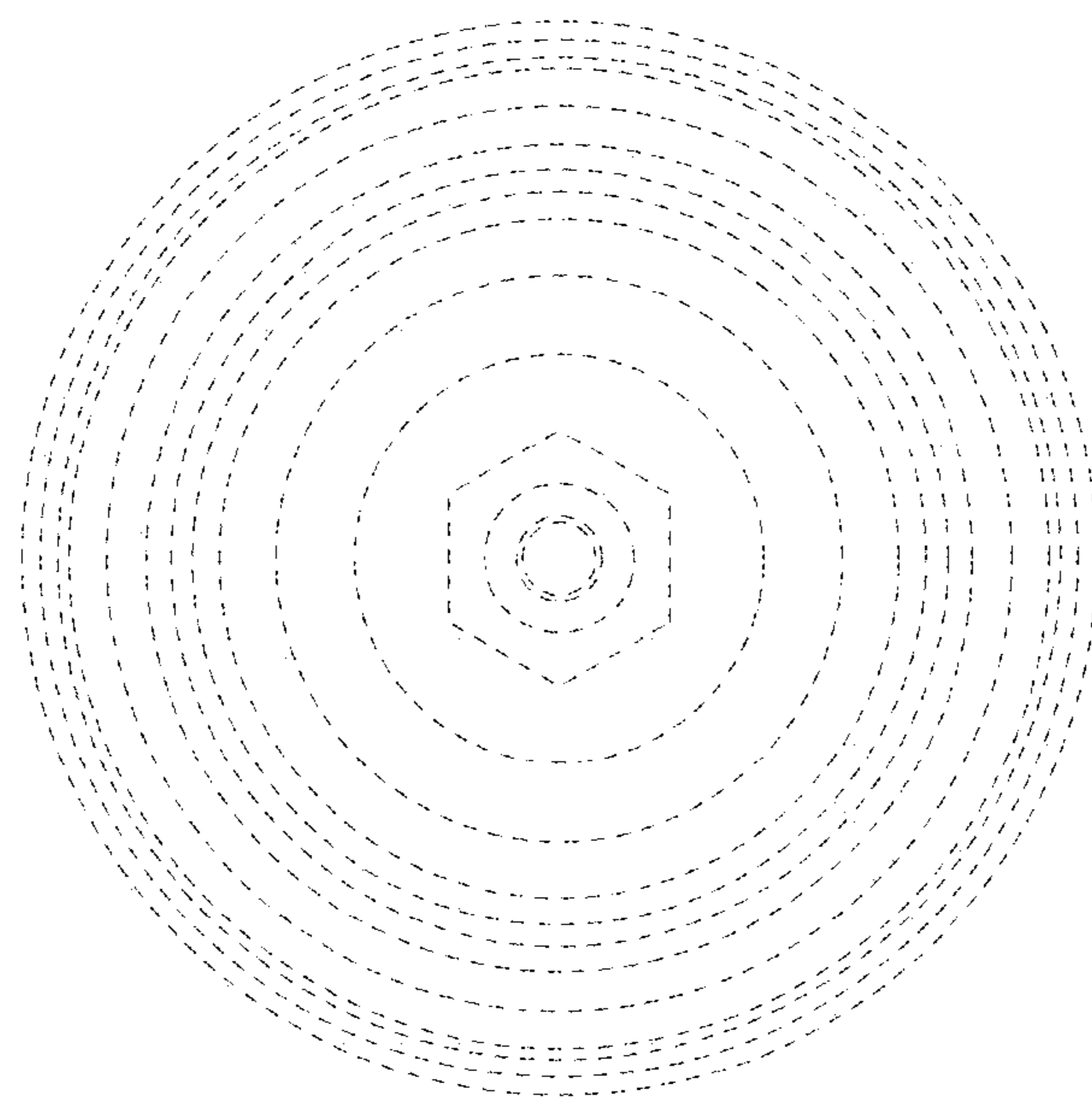


FIG. 7