



US00D894754S

(12) **United States Design Patent** (10) **Patent No.:** **US D894,754 S**
Hesse (45) **Date of Patent:** **** Sep. 1, 2020**

(54) **PACKAGING**

(71) Applicant: **Corr-Jensen Inc.**, New York, NY (US)

(72) Inventor: **Matthew Hesse**, New York, NY (US)

(73) Assignee: **Corr-Jensen Inc.**, Denver, CO (US)

(**) Term: **15 Years**

(21) Appl. No.: **29/601,263**

(22) Filed: **Apr. 20, 2017**

(51) **LOC (12) Cl.** **09-01**

(52) **U.S. Cl.**
USPC **D9/715; D9/558; D9/519**

(58) **Field of Classification Search**
USPC D9/414, 428, 500, 516, 519, 520, 715,
D9/719

CPC B65D 2543/00092; B65D 83/04
See application file for complete search history.

(56) **References Cited**

U.S. PATENT DOCUMENTS

1,715,757 A	6/1929	Hirtzler	
1,863,001 A	6/1932	Barok et al.	
3,494,515 A	2/1970	Fattori	
4,165,709 A	8/1979	Studer	
D255,988 S	7/1980	Mascia	
4,262,802 A	4/1981	Laauwe	
4,475,654 A	10/1984	Fruchter	
5,231,938 A	8/1993	Gore	
D339,986 S	10/1993	Garouste	
5,988,424 A	11/1999	Kovens	
6,050,438 A	4/2000	Kovens et al.	
6,089,402 A	7/2000	Pracas	
6,102,209 A	8/2000	D'Andrea	
D446,122 S *	8/2001	Weinstein	D9/428
D455,189 S *	4/2002	Bradbury	D21/811
D456,245 S *	4/2002	Ferris	D9/503
D465,733 S	11/2002	Hill	
D475,288 S	6/2003	Hoffmann	

D478,813 S	8/2003	Beene	
D495,250 S *	8/2004	Learey	D9/422
D552,473 S	10/2007	Simkin	
D561,030 S	2/2008	Simkin	
D564,900 S	3/2008	Green	
D570,687 S *	6/2008	Kelders	D9/500

(Continued)

FOREIGN PATENT DOCUMENTS

FR	1315861	1/1963
FR	2659066	9/1991
WO	WO 05/023660	3/2005

OTHER PUBLICATIONS

“Gum sphere provides a design to chew on,” *Packaging Digest*, Jun. 30, 2007, 6 pages.

(Continued)

Primary Examiner — Shannon W Morgan

Assistant Examiner — Keith Frank

(74) *Attorney, Agent, or Firm* — Brownstein Hyatt Farber Schreck, LLP

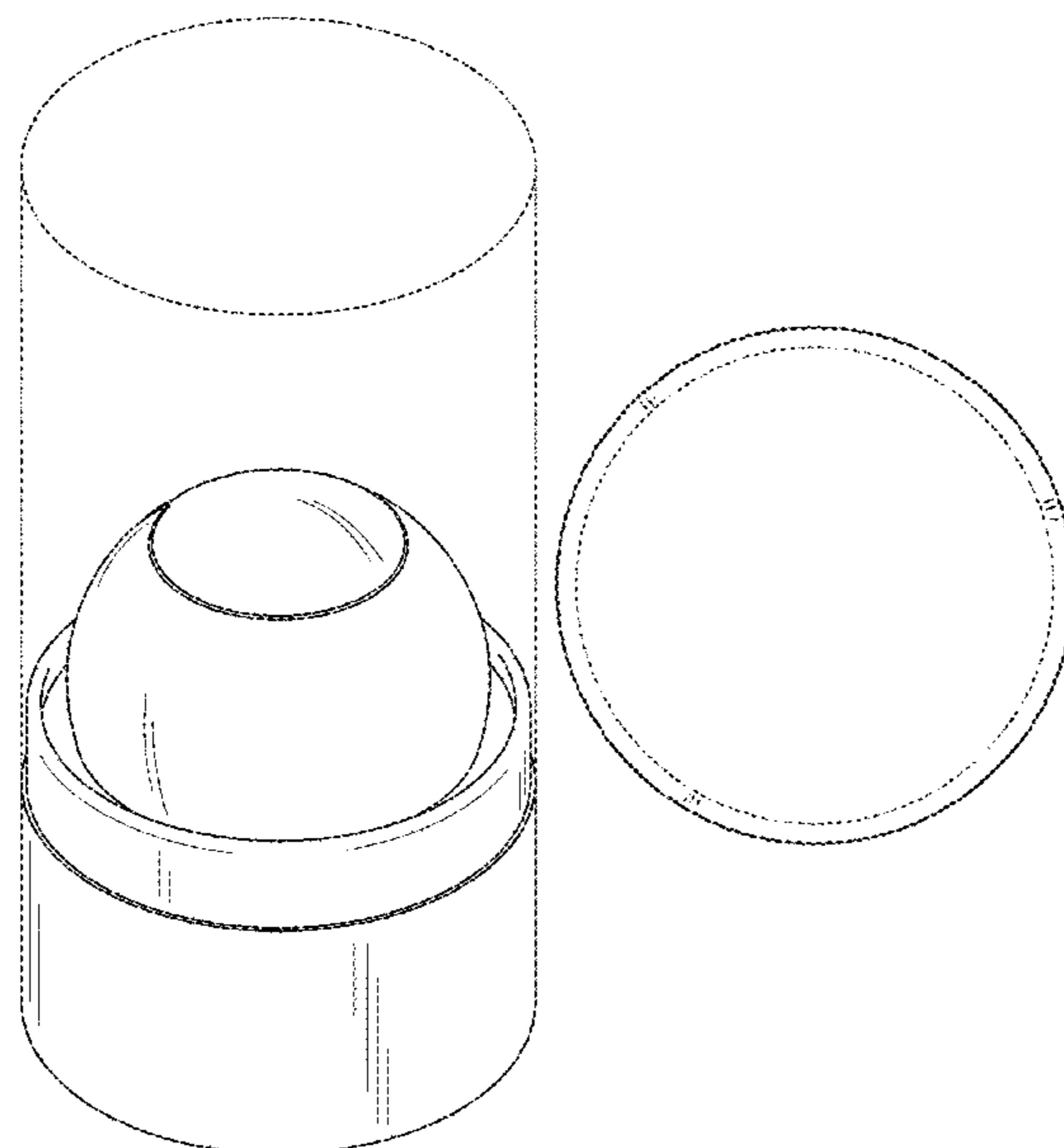
(57) **CLAIM**

The ornamental design for a packaging, as shown and described.

DESCRIPTION

FIG. 1 is a front perspective view of packaging; FIG. 2 is a front view of the packaging shown in FIG. 1; FIG. 3 is a top view of the packaging shown in FIG. 1; and, FIG. 4 is a bottom view of the packaging shown in FIG. 1. The broken lines and areas within the broken lines in FIG. 4 depict portions of the packaging that form no part of the claimed design. The remaining broken lines shown depict portions of the packaging that form no part of the claimed design.

1 Claim, 4 Drawing Sheets



(56)

References Cited

U.S. PATENT DOCUMENTS

D572,535 S 7/2008 Ei-Ghouyel
 D578,002 S 10/2008 Canamasas Puigbo
 D585,293 S * 1/2009 Honkawa D9/501
 D592,064 S 5/2009 Kilany
 D612,245 S 3/2010 Canamasas
 D639,449 S 6/2011 Luburic
 D650,280 S * 12/2011 de Peyerimhoff D9/454
 D667,240 S * 9/2012 Weldon A47G 33/004
 D6/661.3
 8,322,112 B2 12/2012 Luburic
 D691,881 S * 10/2013 Ivey D9/424
 D696,555 S 12/2013 Kolano
 D726,550 S * 4/2015 Lu D9/715
 D735,414 S 7/2015 Schlatter
 D749,368 S 2/2016 Risso
 D758,867 S * 6/2016 Tsai D28/89
 D771,495 S 11/2016 Buogo
 D779,329 S * 2/2017 Buogo D9/519
 D787,338 S 5/2017 Dorsinville

D791,608 S 7/2017 Dorsinville
 D797,553 S * 9/2017 Huang D28/83
 D804,099 S 11/2017 Teller
 D811,901 S 3/2018 Dardashty
 D819,748 S 6/2018 Luk
 D821,885 S 7/2018 Paulin
 2003/0201201 A1 10/2003 Cheng
 2006/0254945 A1 11/2006 Green
 2007/0272711 A1 11/2007 MacLeod
 2009/0307924 A1 12/2009 Aouad et al.
 2011/0253729 A1 10/2011 Ring
 2015/0053801 A1 2/2015 Smit
 2018/0256448 A1 9/2018 Hesse

OTHER PUBLICATIONS

AliExpress.com, 200pcs/lot 9g empty medicine pill jar Spherical Round jar medicine globule box Plastic medicine butter pill Container, 3 pages.

* cited by examiner

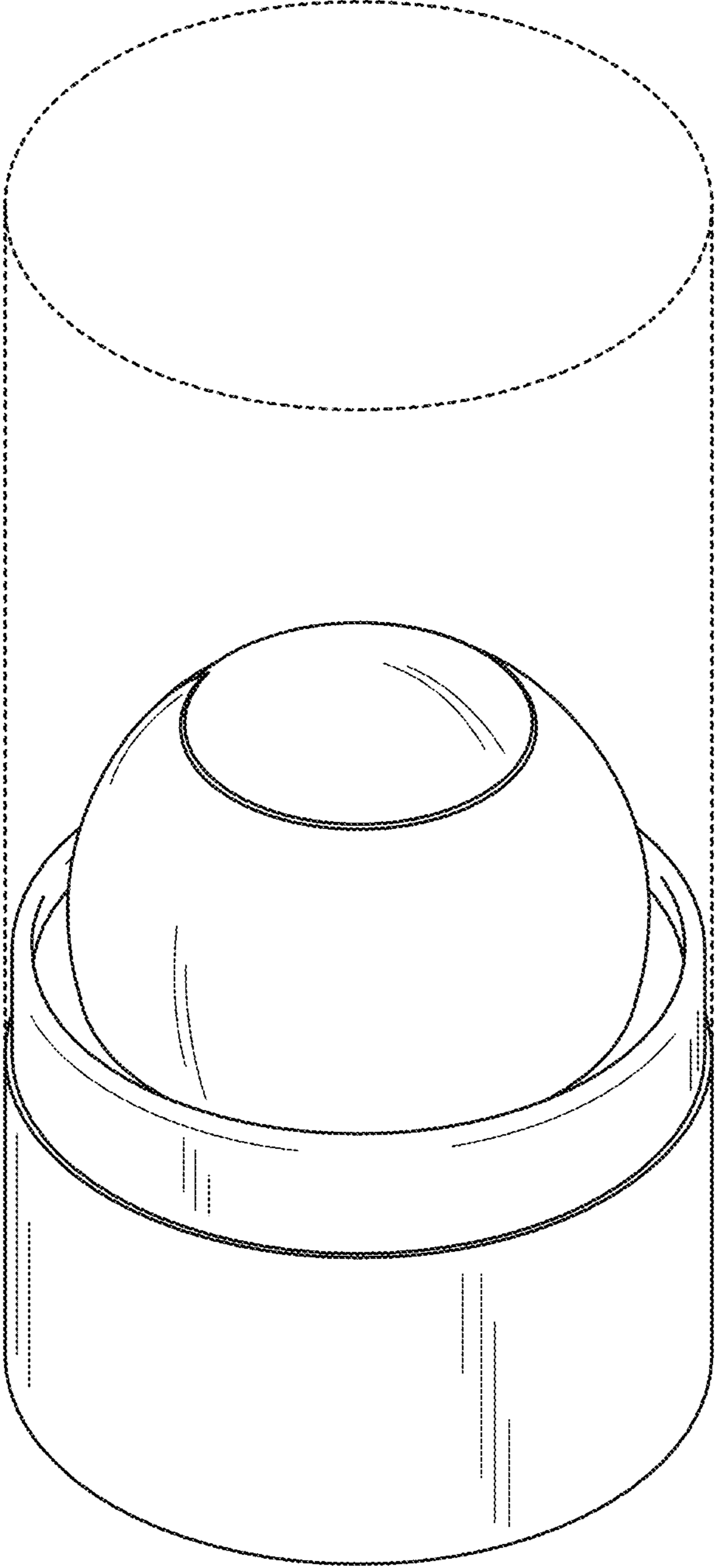


FIG. 1

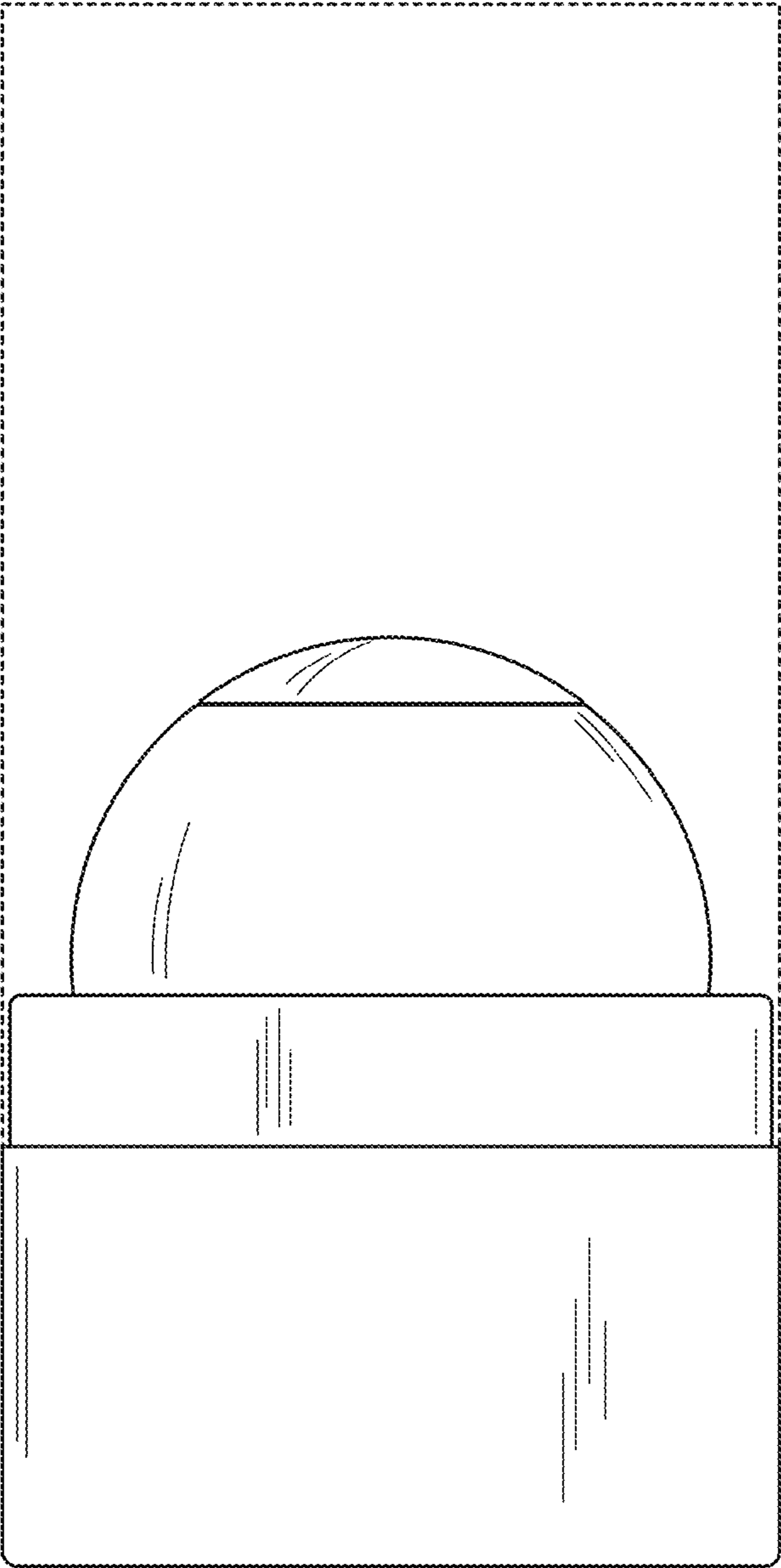


FIG. 2

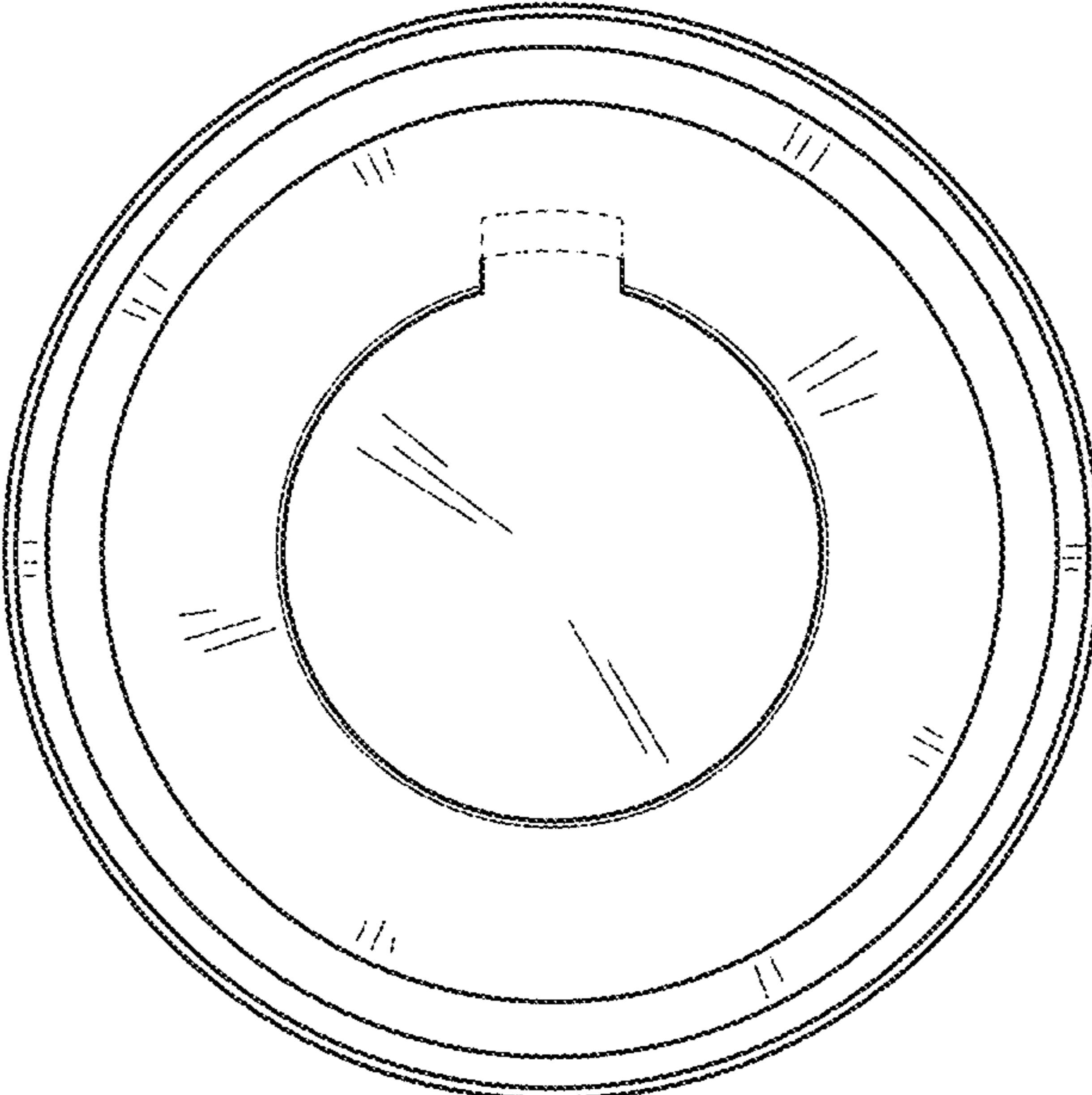


FIG. 3

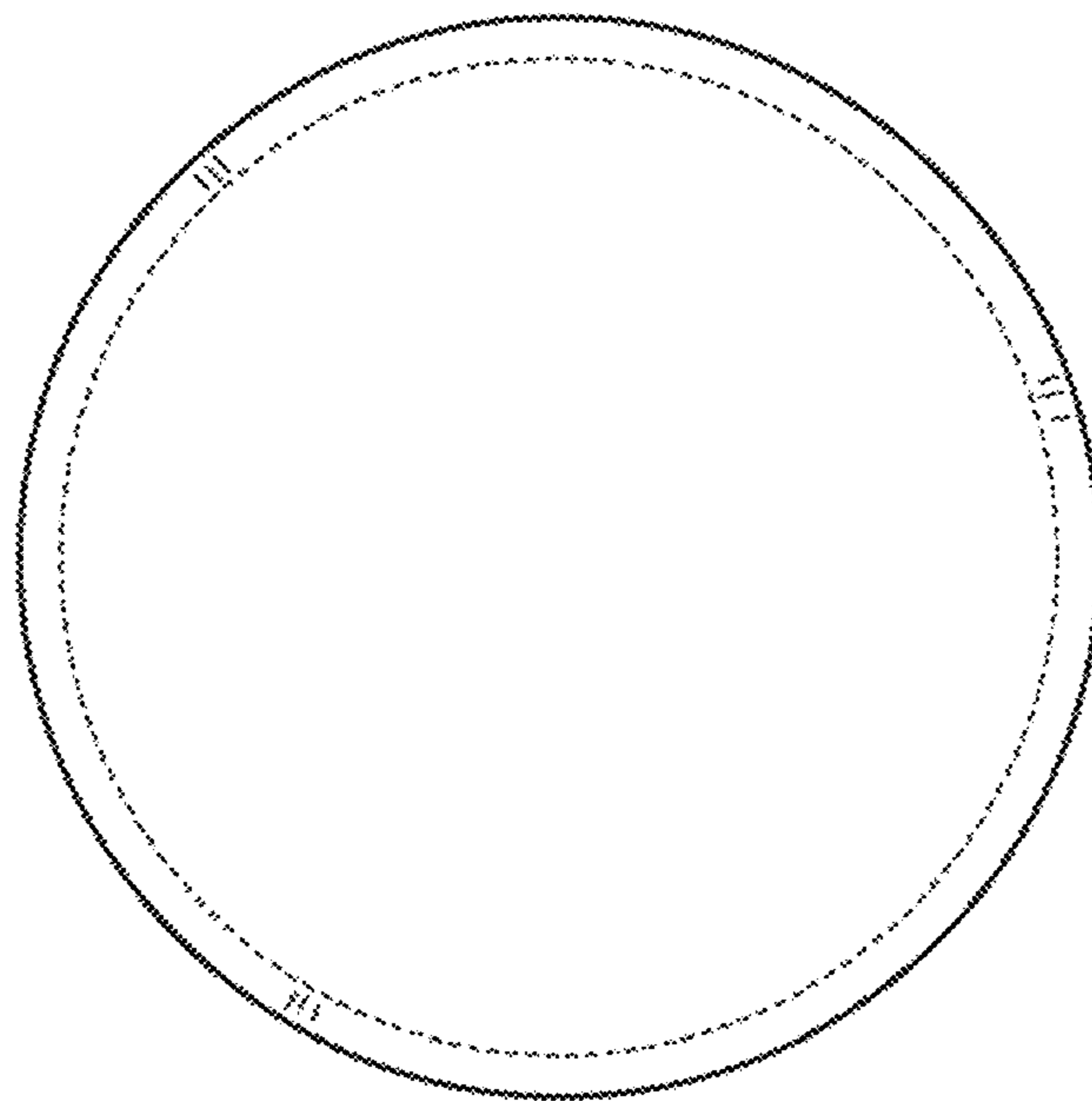


FIG. 4