



US00D894753S

(12) **United States Design Patent** (10) **Patent No.:** **US D894,753 S**
Davis (45) **Date of Patent:** **** *Sep. 1, 2020**

(54) **MAILING WRAPPER**

(71) Applicant: **Duff Design Ltd**, London (GB)

(72) Inventor: **Andrew Davis**, London (GB)

(*) Notice: This patent is subject to a terminal disclaimer.

(**) Term: **15 Years**

(21) Appl. No.: **29/662,882**

(22) Filed: **Sep. 10, 2018**

(51) **LOC (12) Cl.** **09-05**

(52) **U.S. Cl.**
USPC **D9/713**

(58) **Field of Classification Search**
USPC D9/702-714, 430-434, 414-417, 761, D9/731, 737, 419, 424-426, 734, 456, D9/499, 643-648, 720, 661, 662; 426/122, 132, 106-120; 222/92, 107, 222/527, 129, 541.1, 215; 206/229, 484, 206/527, 396, 438, 449, 820, 812, 397, 206/260, 292, 278, 297; D24/118, 207, D24/121; 383/207, 127, 84, 209, 108, 383/210, 63, 61.1, 102-103, 109, 113, 383/120; 215/379, 380-382; 229/87.01-87.09, 87.11-87.19, 938, 229/103.2, 116.5, 923, 123, 123.3, 200, 229/203, 204, 210, 75, 68.1, 928; 220/666; 428/35.2; D3/203.1-203.6, D3/303; D20/10, 22, 27, 40
CPC B65D 65/00; B65D 65/38; B65D 65/04; B65D 65/06; B65D 65/10; B65D 65/12; B65D 75/00; B65D 75/04; B65D 75/002; B65D 27/00; B65D 5/00-02; B65D 5/18; B65D 5/20

See application file for complete search history.

(56) **References Cited**

U.S. PATENT DOCUMENTS

3,273,781 A *	9/1966	Mills	B65D 75/14 229/87.01
4,917,291 A *	4/1990	Saiki	B65D 5/2061 229/103.3
D841,484 S *	2/2019	Hill	D9/713
D859,982 S *	9/2019	Prince	D9/433
D859,983 S *	9/2019	Prince	D9/433

* cited by examiner

Primary Examiner — Abraham Bahta

(74) *Attorney, Agent, or Firm* — Quarles & Brady LLP;
James J. Aquilina

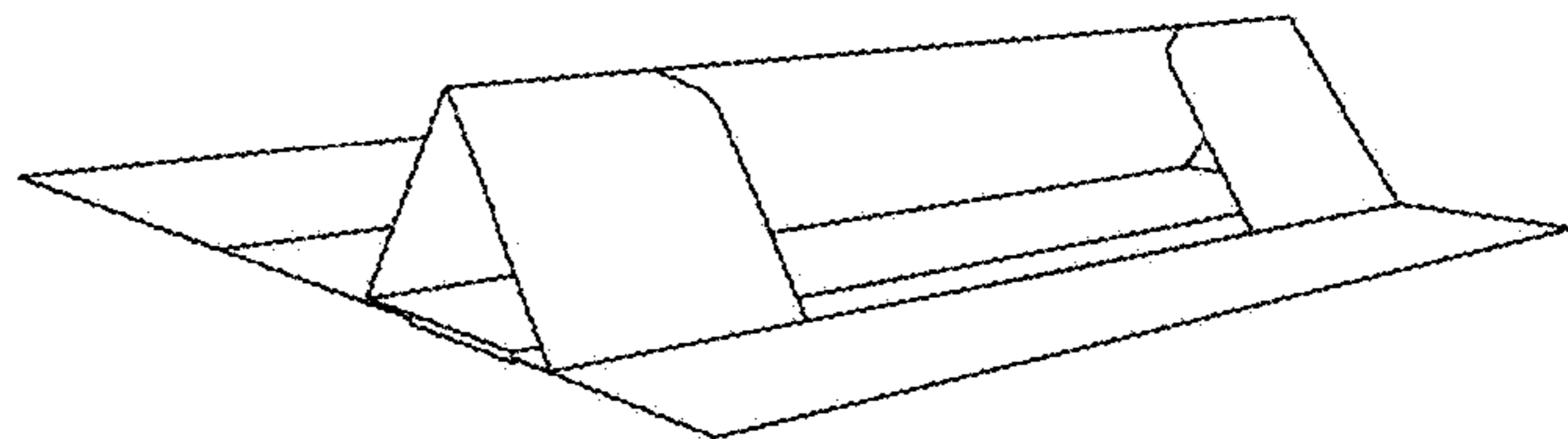
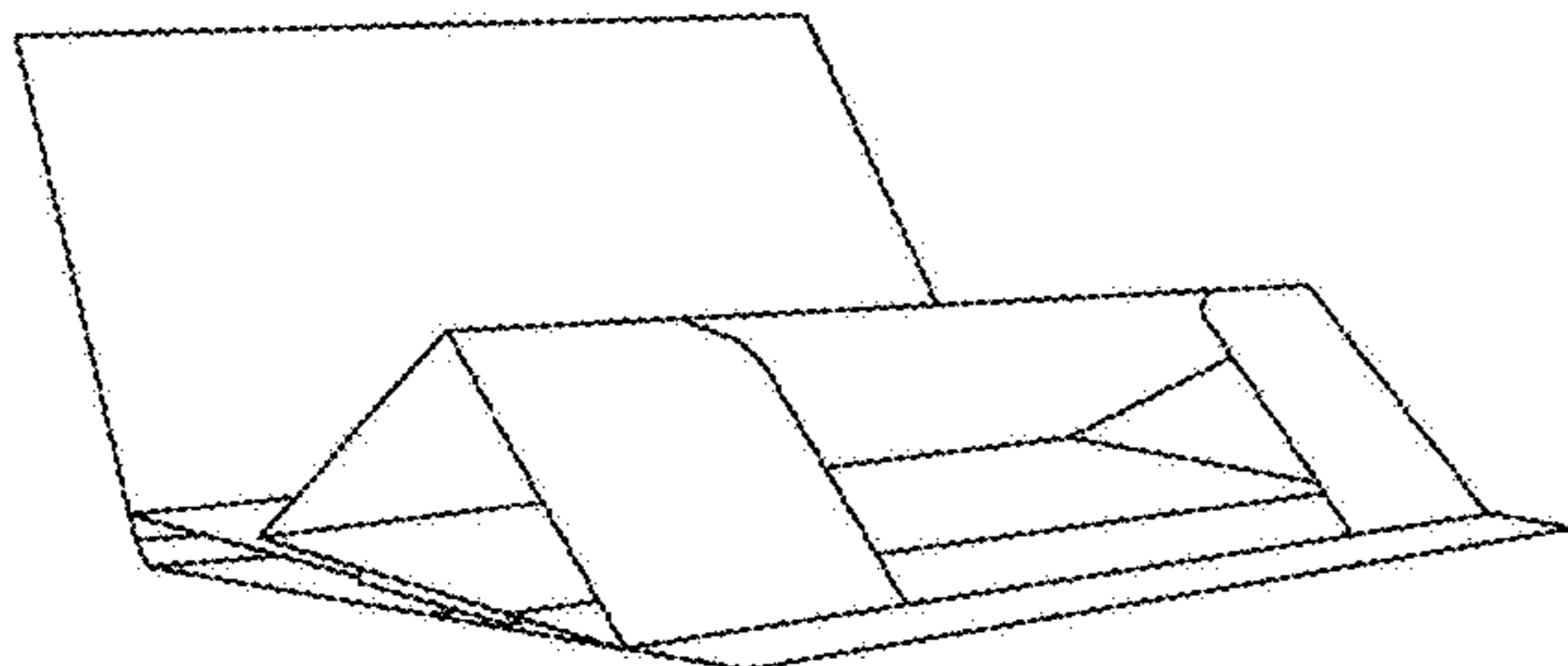
(57) **CLAIM**

The ornamental design for a mailing wrapper, as shown and described.

DESCRIPTION

FIG. 1 is a top plan view of a mailing wrapper showing my new design, in a closed configuration;
FIG. 2 is a left side view thereof, the right side view being a mirror image thereof;
FIG. 3 is a left side view thereof in a partially open configuration, the right side view being a mirror image thereof;
FIG. 4 is a left side view thereof in a fully open configuration, the right side view being a mirror image thereof;
FIG. 5 is a front perspective view thereof in a partially open configuration;
FIG. 6 is a front perspective view thereof in a fully open configuration; and,
FIG. 7 is a rear view thereof in a fully open configuration.

1 Claim, 4 Drawing Sheets



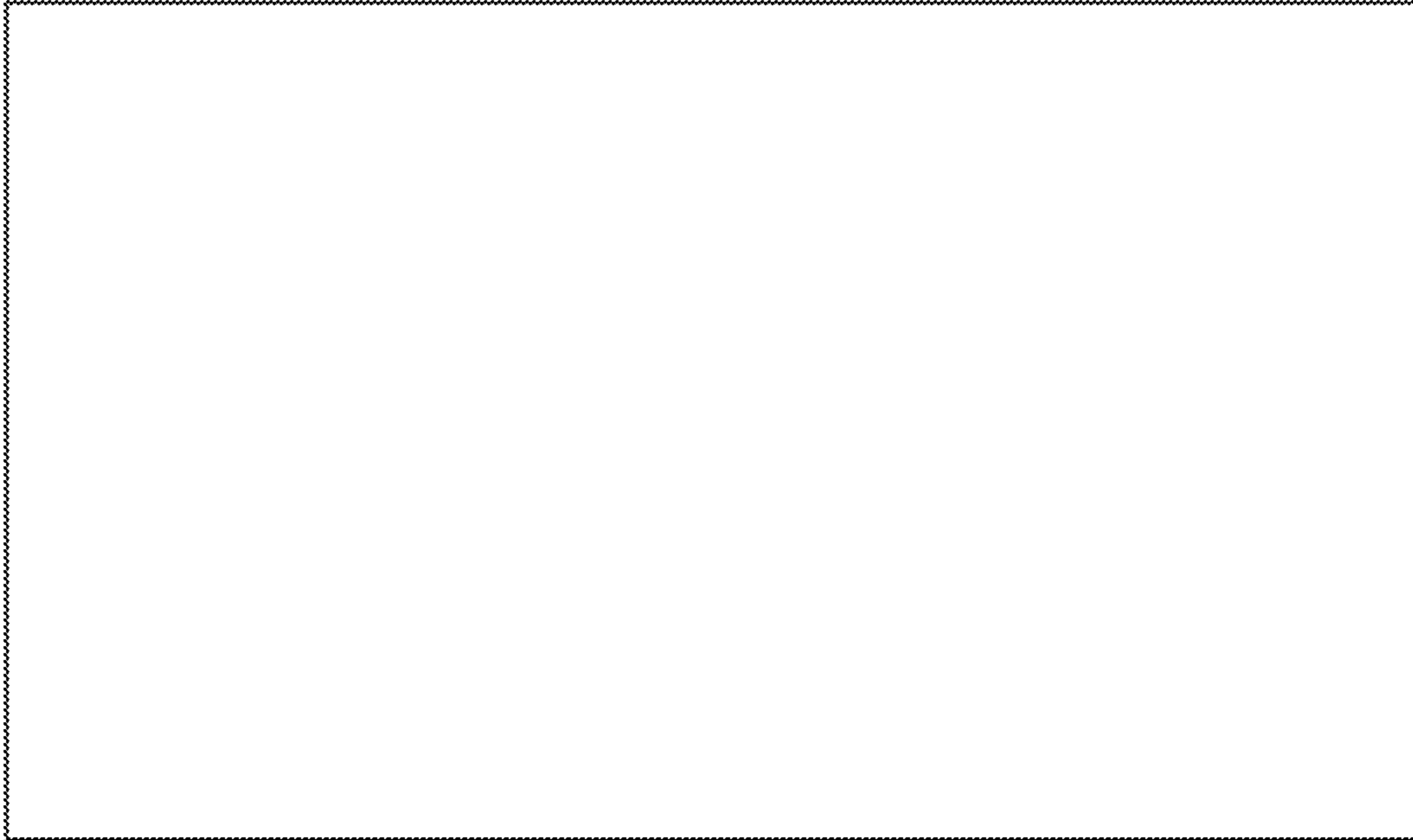


FIG. 1

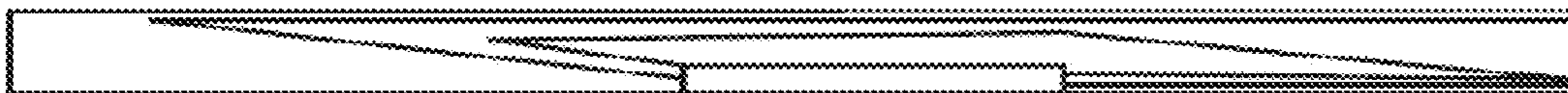


FIG. 2

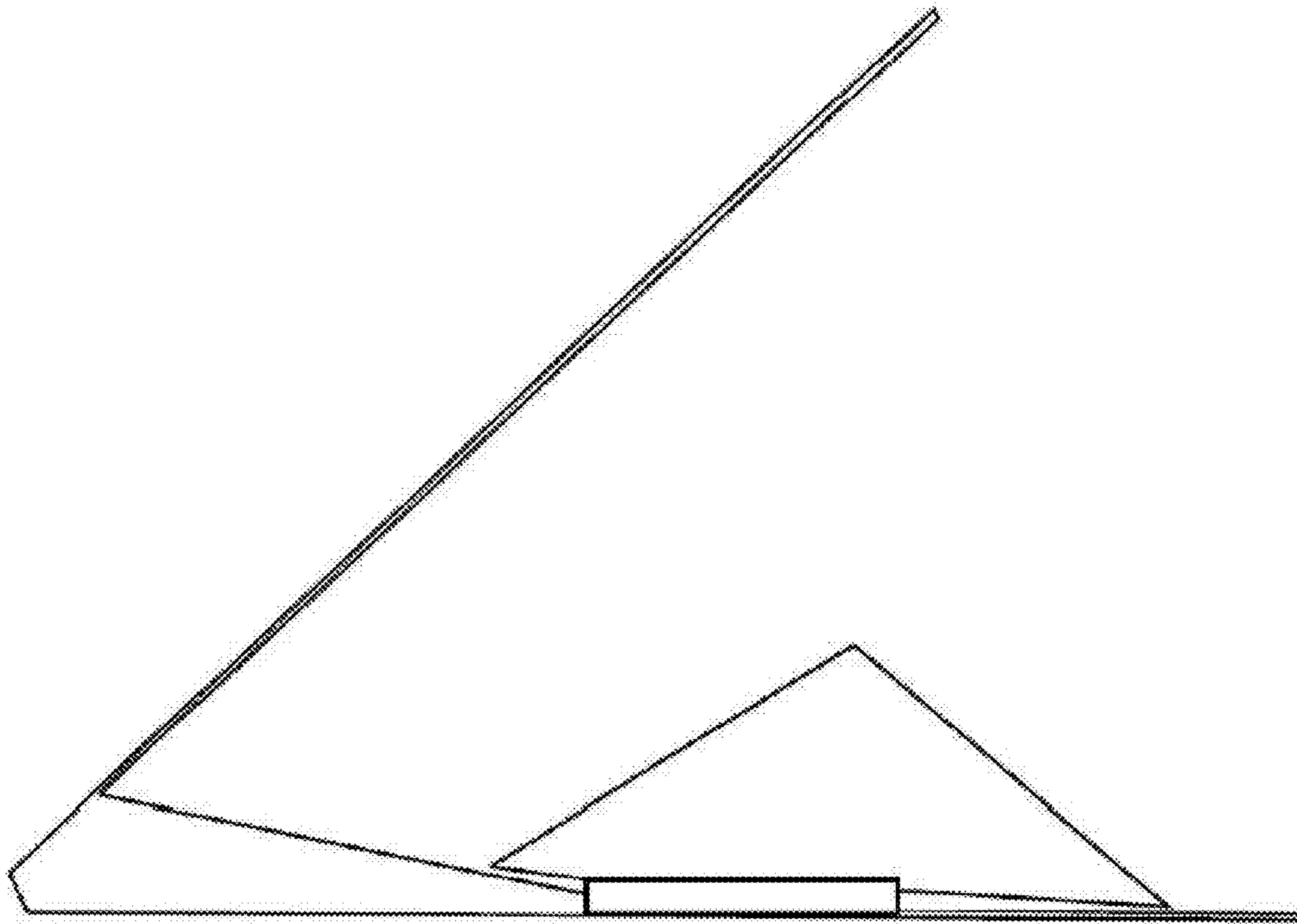


FIG. 3

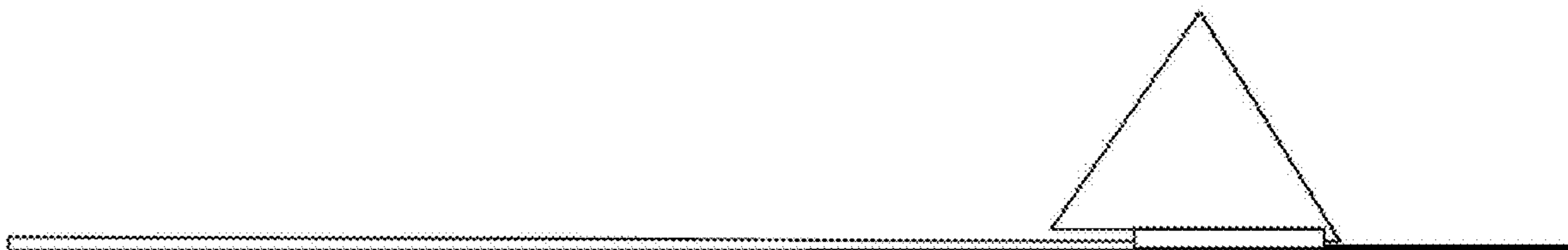


FIG. 4

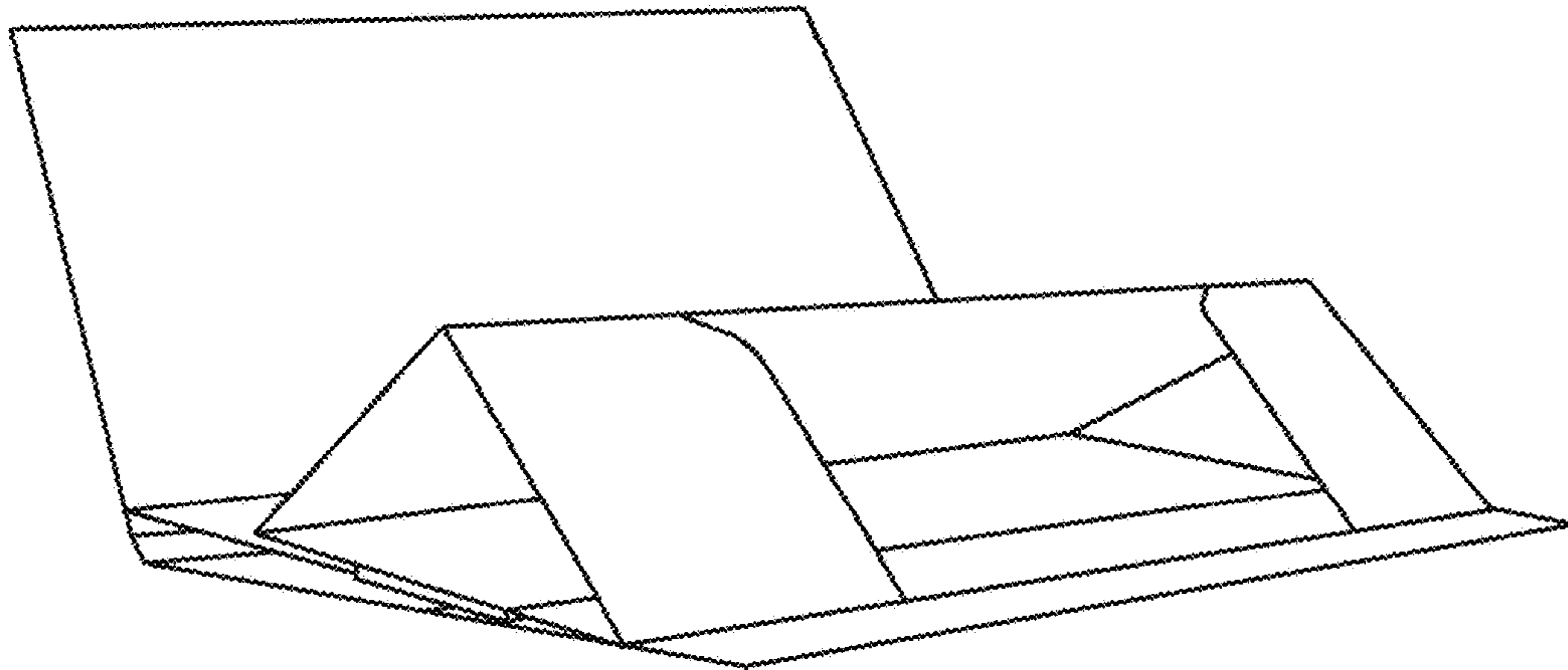


FIG. 5

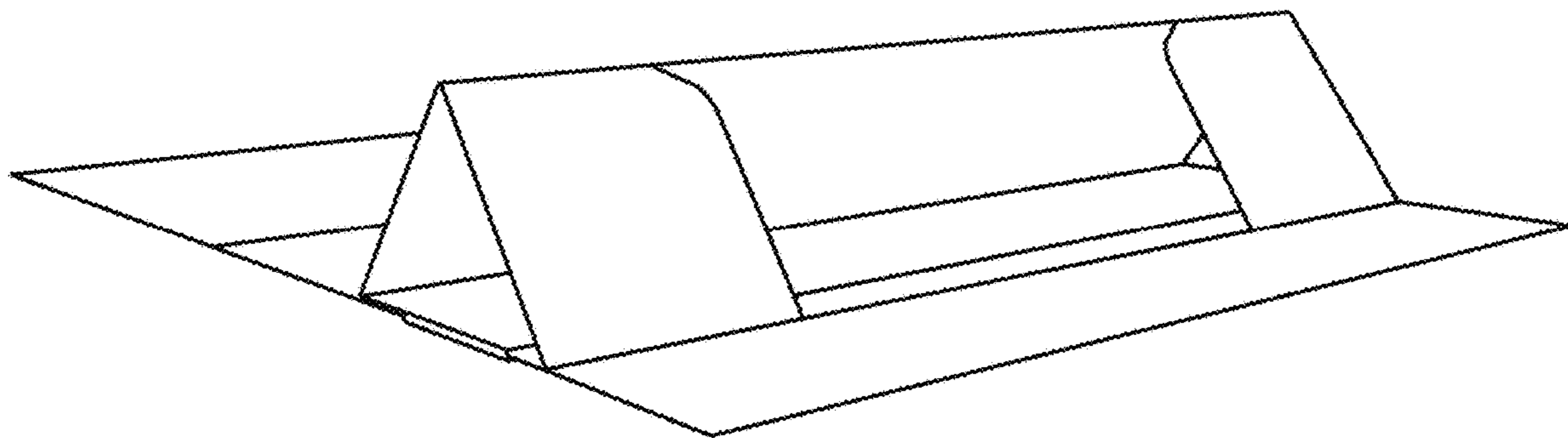


FIG. 6



FIG. 7

UNITED STATES PATENT AND TRADEMARK OFFICE
CERTIFICATE OF CORRECTION

PATENT NO. : D894,753 S
APPLICATION NO. : 29/662882
DATED : September 1, 2020
INVENTOR(S) : Andrew Davis

Page 1 of 1

It is certified that error appears in the above-identified patent and that said Letters Patent is hereby corrected as shown below:

On the Title Page

Add
(30) Foreign Application Priority Data
March 09, 2018 (EM).....004749059

Signed and Sealed this
Seventh Day of September, 2021



Drew Hirshfeld
*Performing the Functions and Duties of the
Under Secretary of Commerce for Intellectual Property and
Director of the United States Patent and Trademark Office*