



US00D894747S

(12) **United States Design Patent** (10) **Patent No.:** **US D894,747 S**
Lacy (45) **Date of Patent:** **** Sep. 1, 2020**

(54) **ICE CONFECTION** 2,045,730 A * 6/1936 Schepman A23G 9/288
426/132
(71) Applicant: **Conopco, Inc.**, Englewood Cliffs, NJ 2,823,796 A * 2/1958 Schwartz A45D 40/04
(US) 401/75
(72) Inventor: **Ian David Lacy**, Bedford (GB) D435,441 S * 12/2000 Yoon D1/127
D444,593 S * 7/2001 Look D19/66
6,485,771 B1 * 11/2002 Somerville A23C 9/1544
(73) Assignee: **Conopco, Inc.**, Englewood Cliffs, NJ 426/519
(US) D794,442 S * 8/2017 Boston D9/414
D805,397 S * 12/2017 Miyasako D9/643
D832,717 S * 11/2018 Park D9/643
(**) Term: **15 Years** 2006/0128294 A1 * 6/2006 Rome B65B 25/001
452/34
(21) Appl. No.: **29/619,557** 2009/0068324 A1 * 3/2009 Sandoval A23G 9/503
426/134
(22) Filed: **Sep. 29, 2017** 2019/0177028 A1 * 6/2019 Bambagioni A23G 9/503

(30) **Foreign Application Priority Data**
Mar. 30, 2017 (EM) 003831908-0001
(51) **LOC (12) Cl.** **09-01**
(52) **U.S. Cl.**
USPC **D9/643**
(58) **Field of Classification Search**
USPC D1/100-130, 199; 426/92, 94, 104, 134,
426/138, 143, 275, 277, 279, 281-284,
426/292, 295, 391, 496, 514, 566, 572,
426/660; 249/92; D28/8.1; D9/414,
D9/433, 434, 544, 545, 603, 623, 629,
D9/643; D8/83; D21/487; D4/104-106,
D4/136
CPC A23G 3/50; A23G 3/563; A23G 9/503;
A23G 9/26; A23G 9/48; A23G 3/54;
A23G 3/28; A23P 1/005
See application file for complete search history.

(56) **References Cited**
U.S. PATENT DOCUMENTS
1,933,596 A * 11/1933 Showles A23G 9/503
426/115
1,942,896 A * 1/1934 Jones A23G 9/506
426/139

* cited by examiner

Primary Examiner — Katie Jane Stofko
(74) *Attorney, Agent, or Firm* — Gerard J. McGowan, Jr.

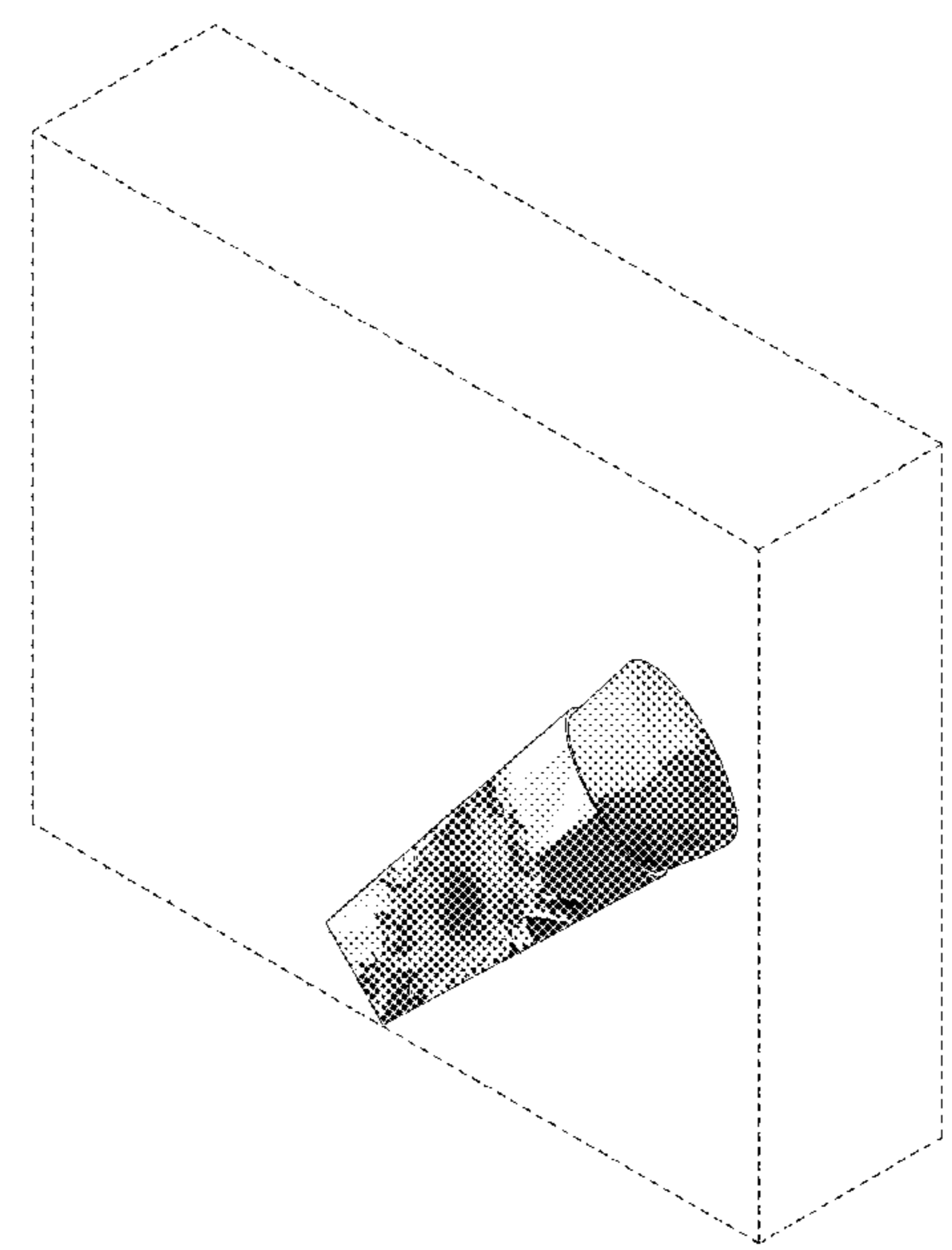
(57) **CLAIM**

The ornamental design for a packaging for an ice confection, as shown and described.

DESCRIPTION

FIG. 1 is a perspective view of a packaging for an ice confection showing my new design.
FIG. 2 is a front elevation view thereof;
FIG. 3 is a rear elevation view thereof;
FIG. 4 is a left side elevation view thereof;
FIG. 5 is a right side elevation view thereof;
FIG. 6 is a top plan view thereof; and,
FIG. 7 is a bottom plan view thereof.
The broken lines in FIGS. 1-7 illustrate portions of the packaging for an ice confection that form no part of the claimed design.

1 Claim, 5 Drawing Sheets



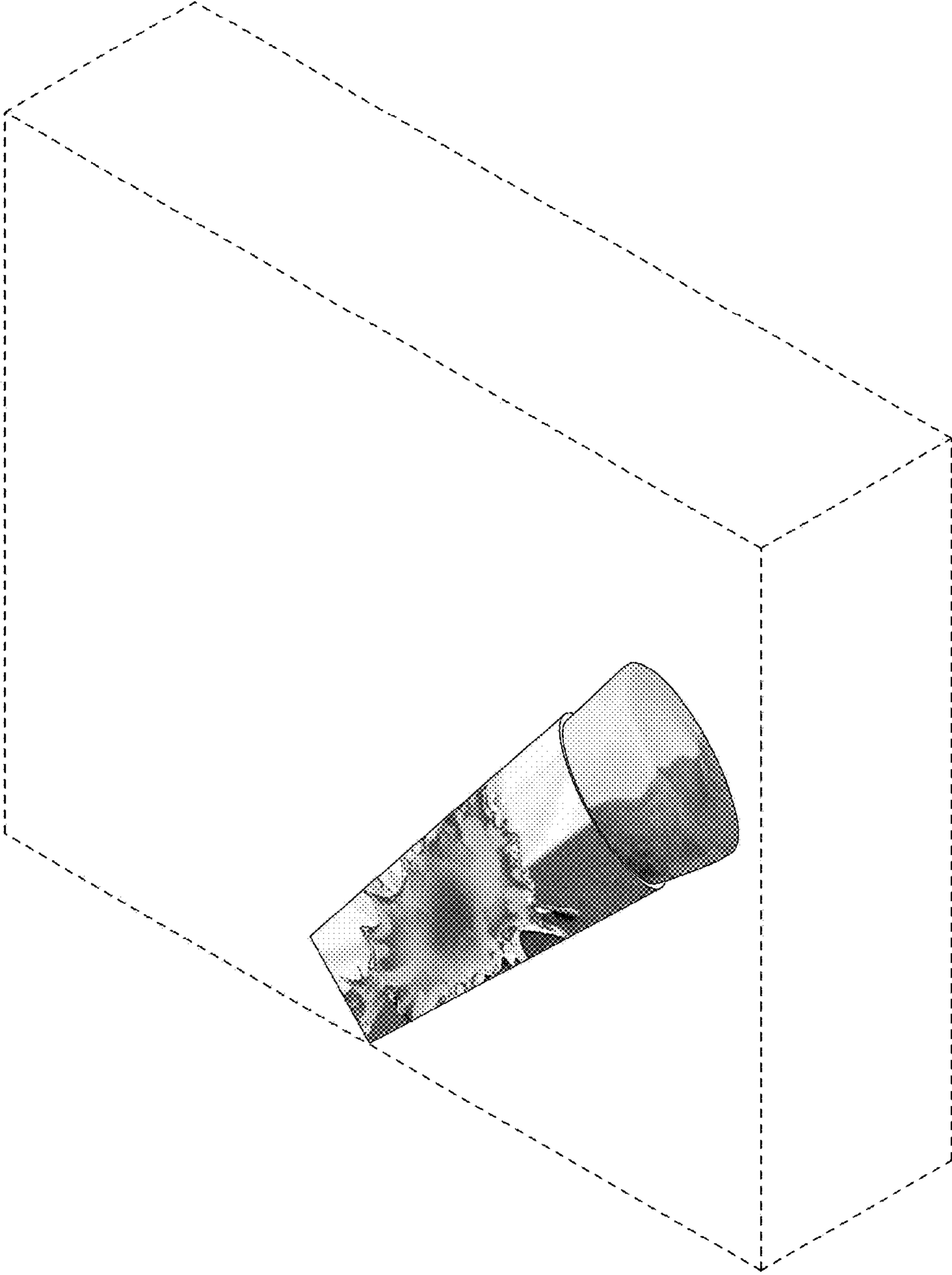


Fig. 1

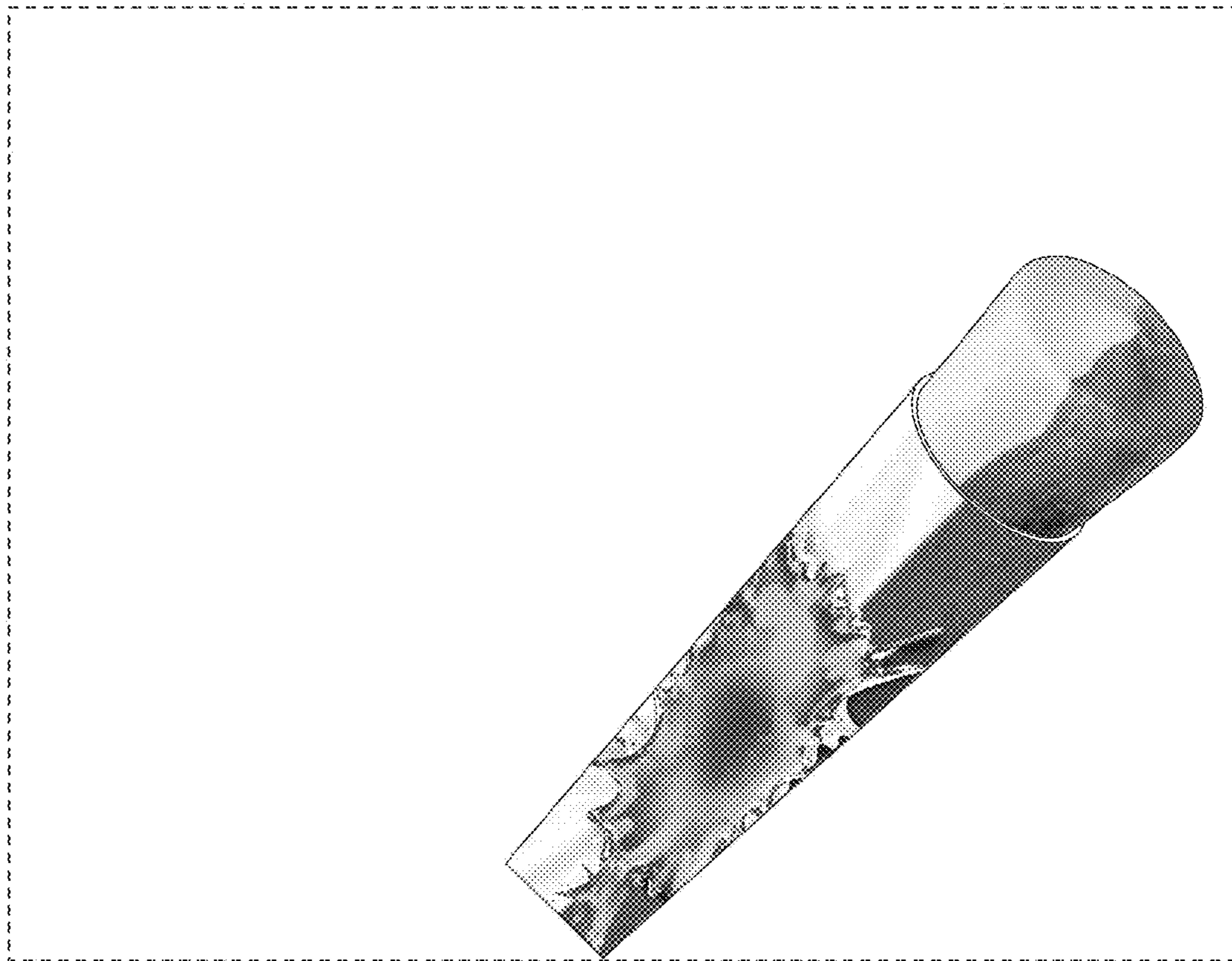


Fig. 2



Fig. 3

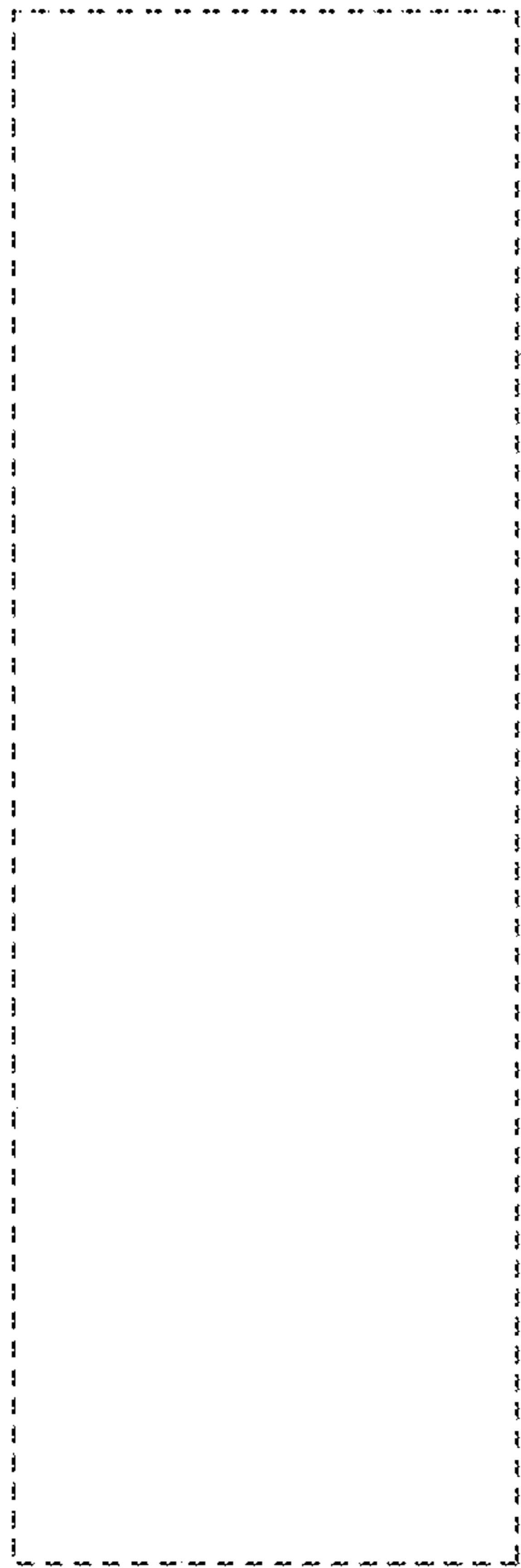


Fig. 4



Fig. 5

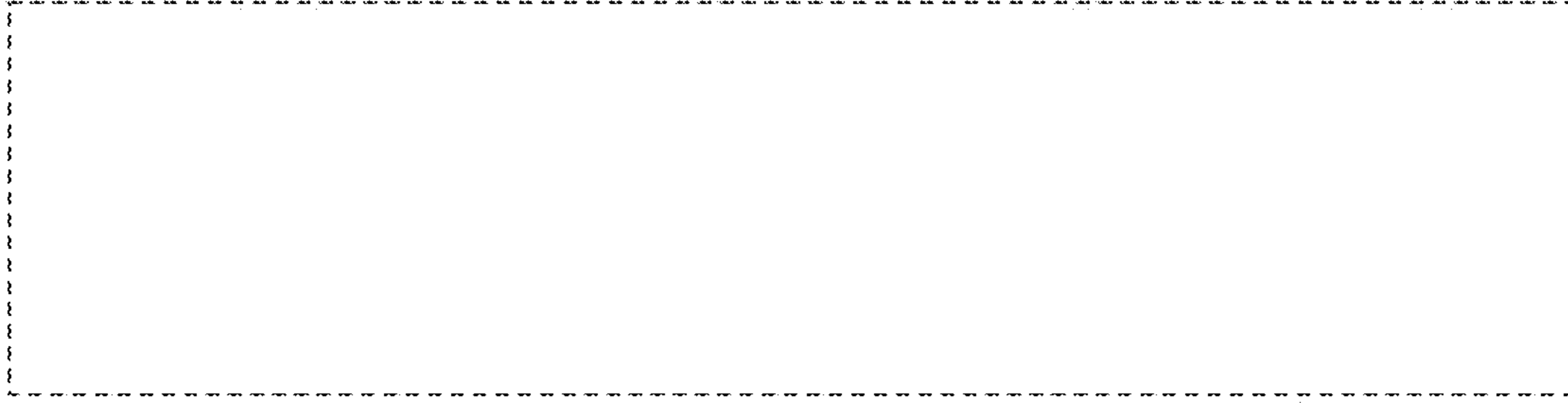


Fig. 6



Fig. 7