

US00D894739S

(12) **United States Design Patent**  
**Ungrady**

(10) **Patent No.:** **US D894,739 S**

(45) **Date of Patent:** **\*\* Sep. 1, 2020**

(54) **BOTTLE**

(71) Applicant: **Graham Packaging Company, L.P.**,  
Lancaster, PA (US)

(72) Inventor: **Eric B. Ungrady**, Mt. Wolf, PA (US)

(73) Assignee: **Graham Packaging Company, L.P.**,  
Lancaster, PA (US)

(\*\*) Term: **15 Years**

(21) Appl. No.: **29/670,303**

(22) Filed: **Nov. 15, 2018**

(51) **LOC (12) Cl.** ..... **09-01**

(52) **U.S. Cl.**  
USPC ..... **D9/500; D9/550**

(58) **Field of Classification Search**  
USPC ..... D9/500, 502-505, 516, 520, 530, 537,  
D9/539, 545, 549, 550, 558, 715, 719  
CPC ..... B65D 1/00; B65D 1/02; B65D 1/0223;  
B65D 23/00; B65D 81/00; B65D  
2501/00; B65D 2501/0009  
See application file for complete search history.

(56) **References Cited**

**U.S. PATENT DOCUMENTS**

D60,557 S *	3/1922	Marble	.....	D9/502
D357,864 S *	5/1995	Rusnock	.....	D9/500
D452,436 S *	12/2001	Darr	.....	D9/500
D459,655 S *	7/2002	Darr	.....	D9/502
D472,811 S *	4/2003	Deubel	.....	D9/502
D477,537 S *	7/2003	Kornick	.....	D9/500
6,659,298 B2 *	12/2003	Wong	.....	B65D 1/0276 215/371

6,726,044 B1 *	4/2004	Deubel	.....	B65D 1/023 215/381
D489,983 S *	5/2004	Futral	.....	D9/500
D626,840 S *	11/2010	Hall	.....	D9/500
D695,614 S *	12/2013	Crowe	.....	D9/500
D704,557 S *	5/2014	Hamill	.....	D9/500
D723,921 S *	3/2015	Herman	.....	D9/500
D742,744 S *	11/2015	Hall	.....	D9/500
D763,694 S *	8/2016	Herman	.....	D9/500
D790,968 S *	7/2017	Thompson	.....	D9/500
D806,549 S *	1/2018	Laib	.....	D9/500
D807,178 S *	1/2018	Laib	.....	D9/500
D849,541 S *	5/2019	Harris	.....	D9/500

\* cited by examiner

*Primary Examiner* — Dana Meyrow

(74) *Attorney, Agent, or Firm* — Baker Botts L.L.P.

(57) **CLAIM**

The ornamental design for a bottle, as shown and described.

**DESCRIPTION**

FIG. 1 is a front perspective view of a bottle with a neck finish shown in broken lines.

FIG. 2 is a front view of the bottle of FIG. 1.

FIG. 3 is a rear view of the bottle of FIG. 1.

FIG. 4 is a left view of the bottle of FIG. 1.

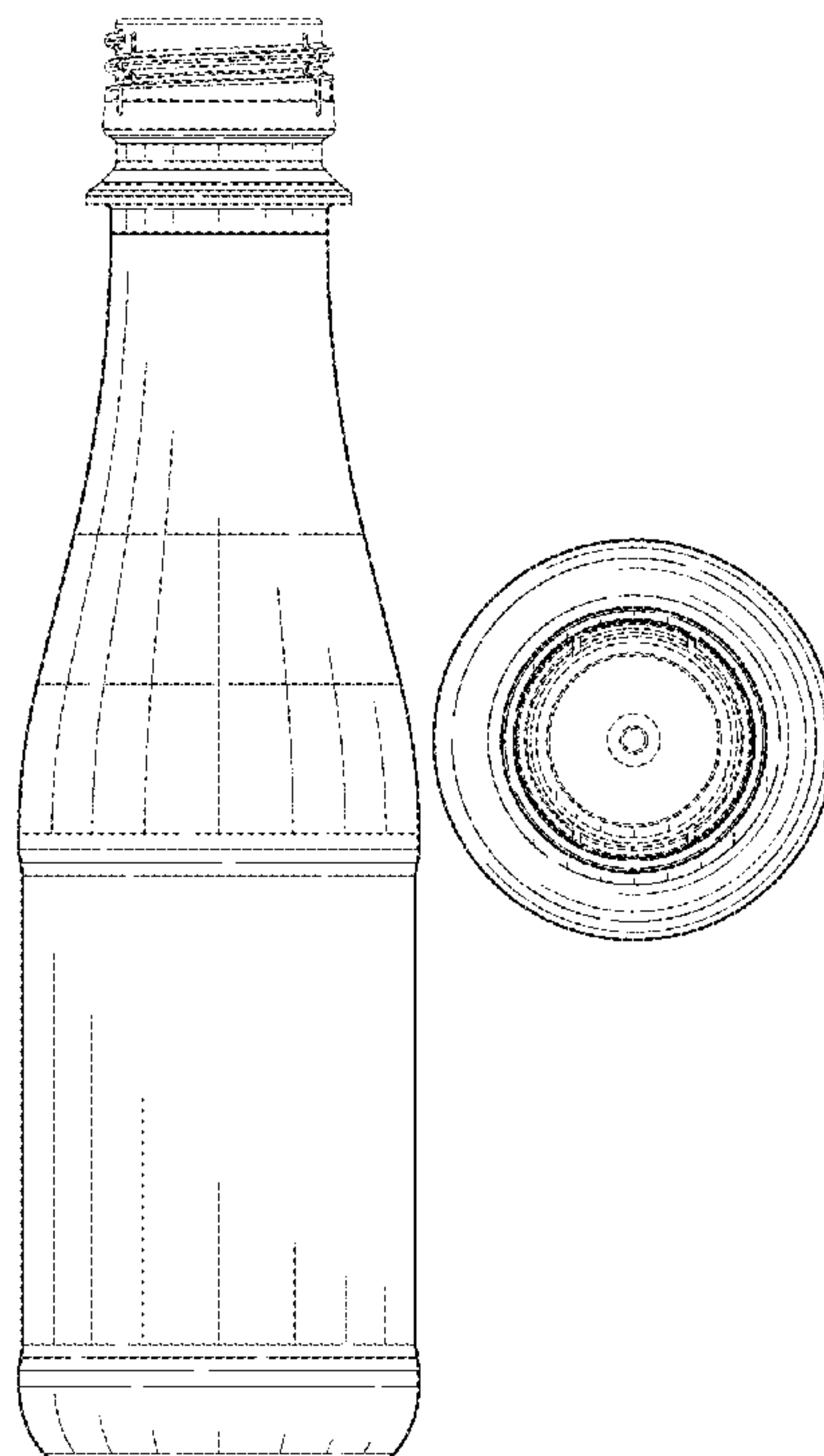
FIG. 5 is a right view of the bottle of FIG. 1.

FIG. 6 is a top view of the bottle of FIG. 1; and,

FIG. 7 is a bottom view of the bottle of FIG. 1 with circular rings in the base shown in broken lines.

The broken lines are shown to indicate unclaimed portions of the bottle and form no part of the claimed design.

**1 Claim, 4 Drawing Sheets**



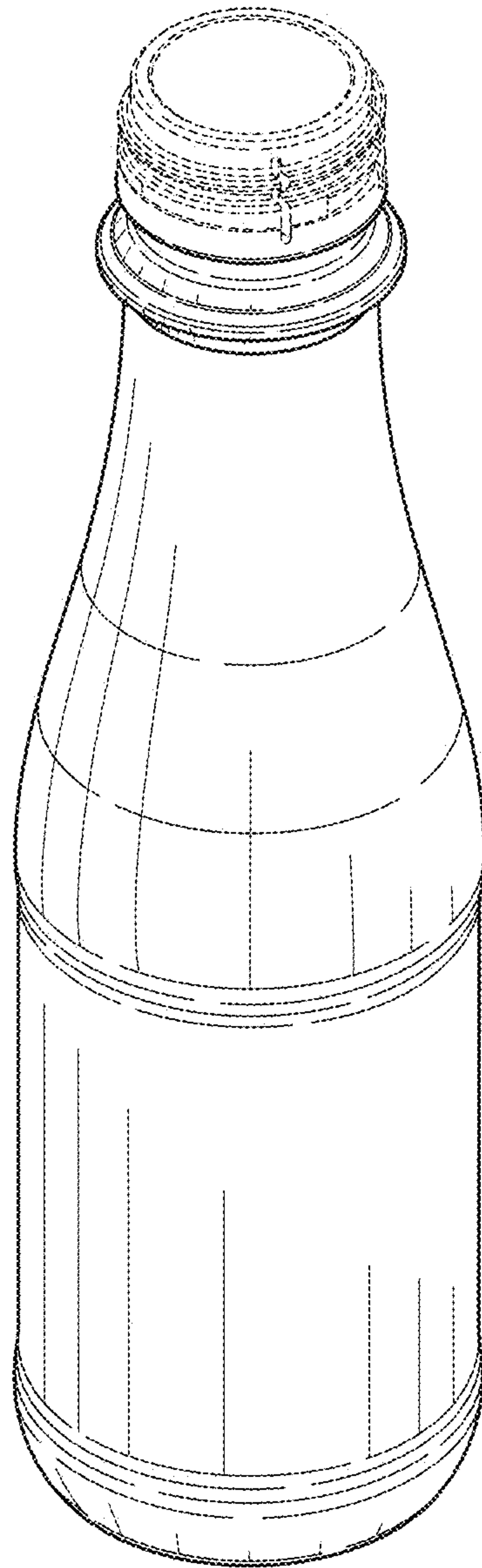


FIG. 1

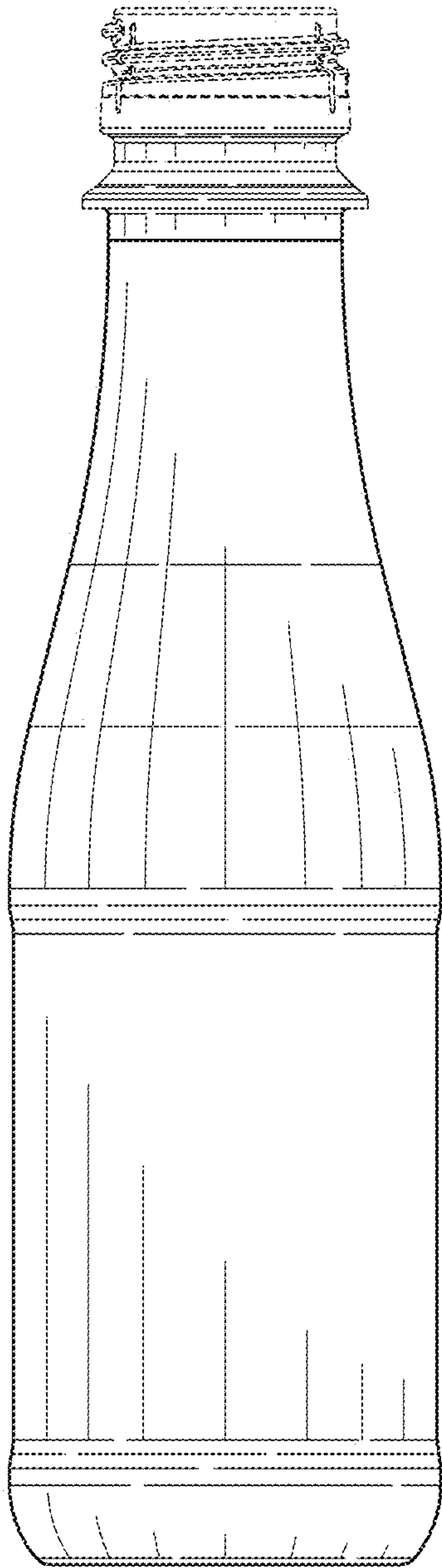


FIG. 2

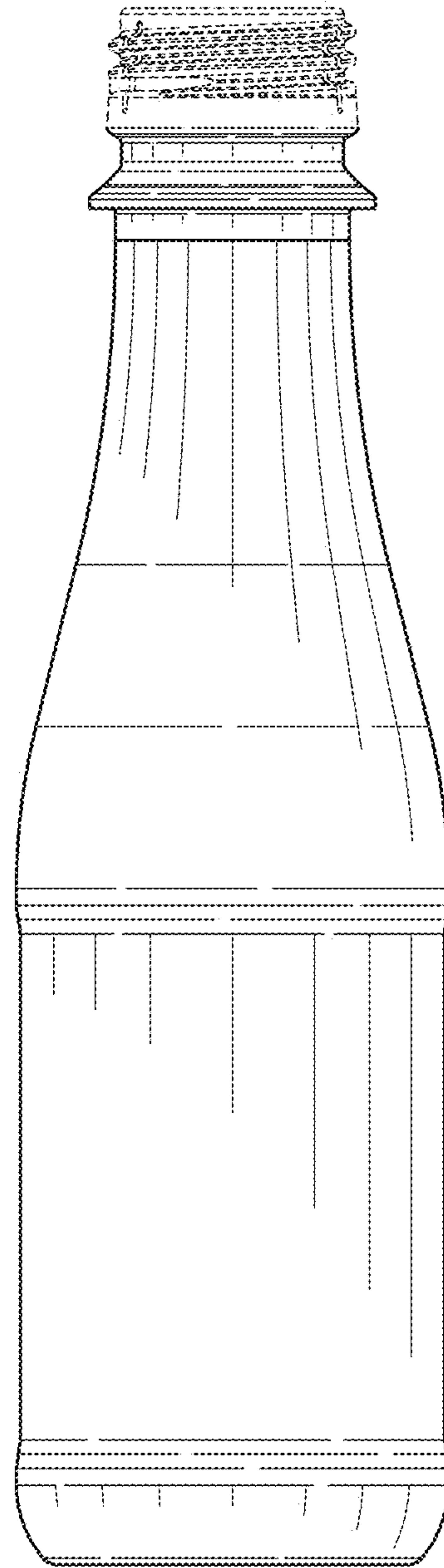


FIG. 3

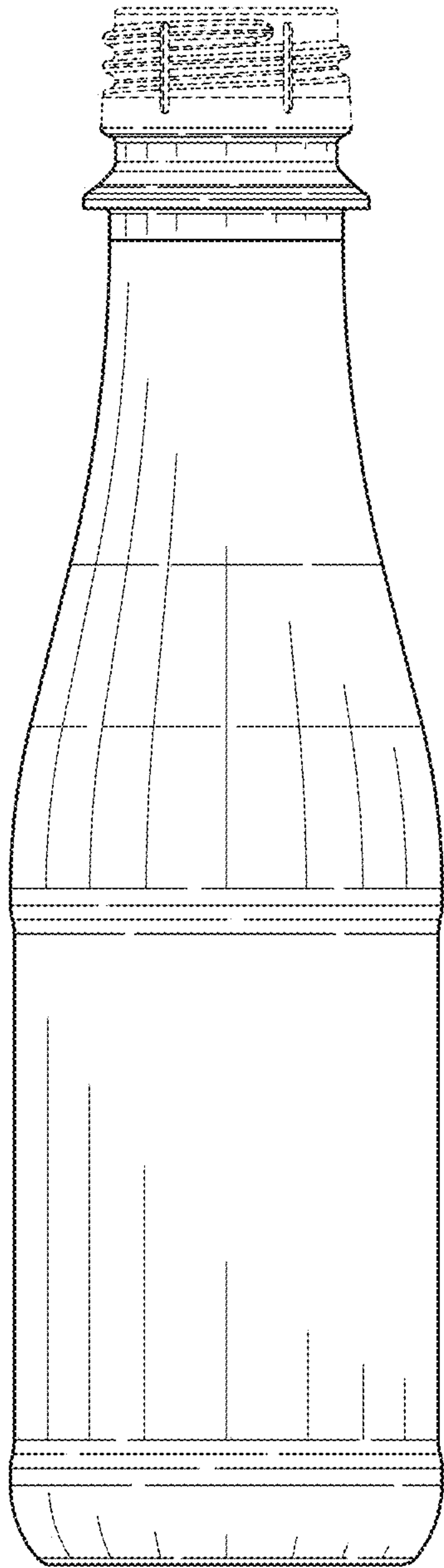


FIG. 4

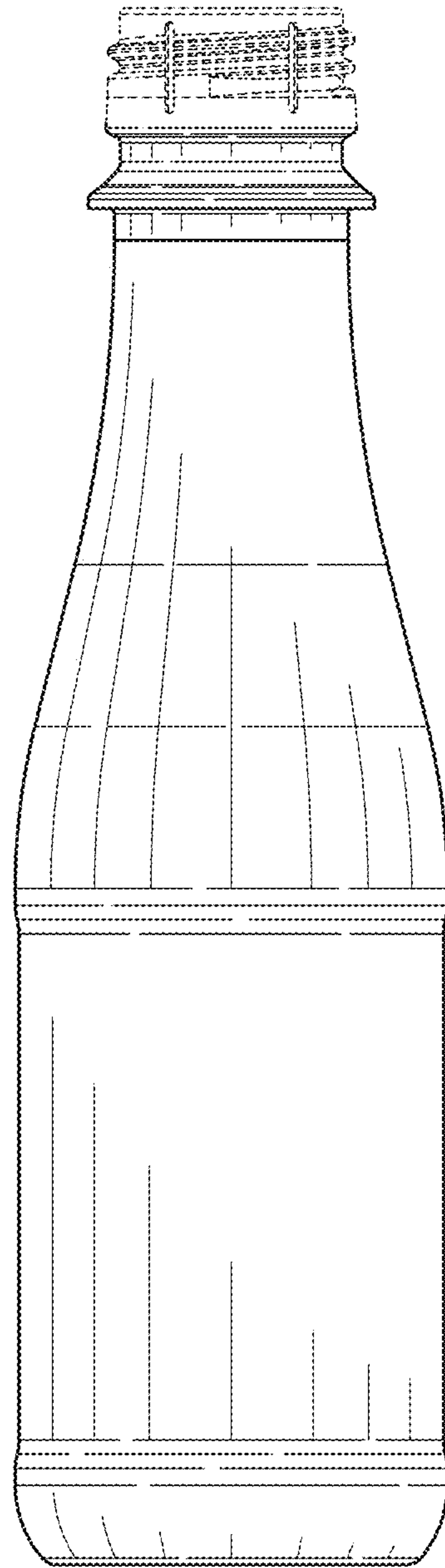


FIG. 5

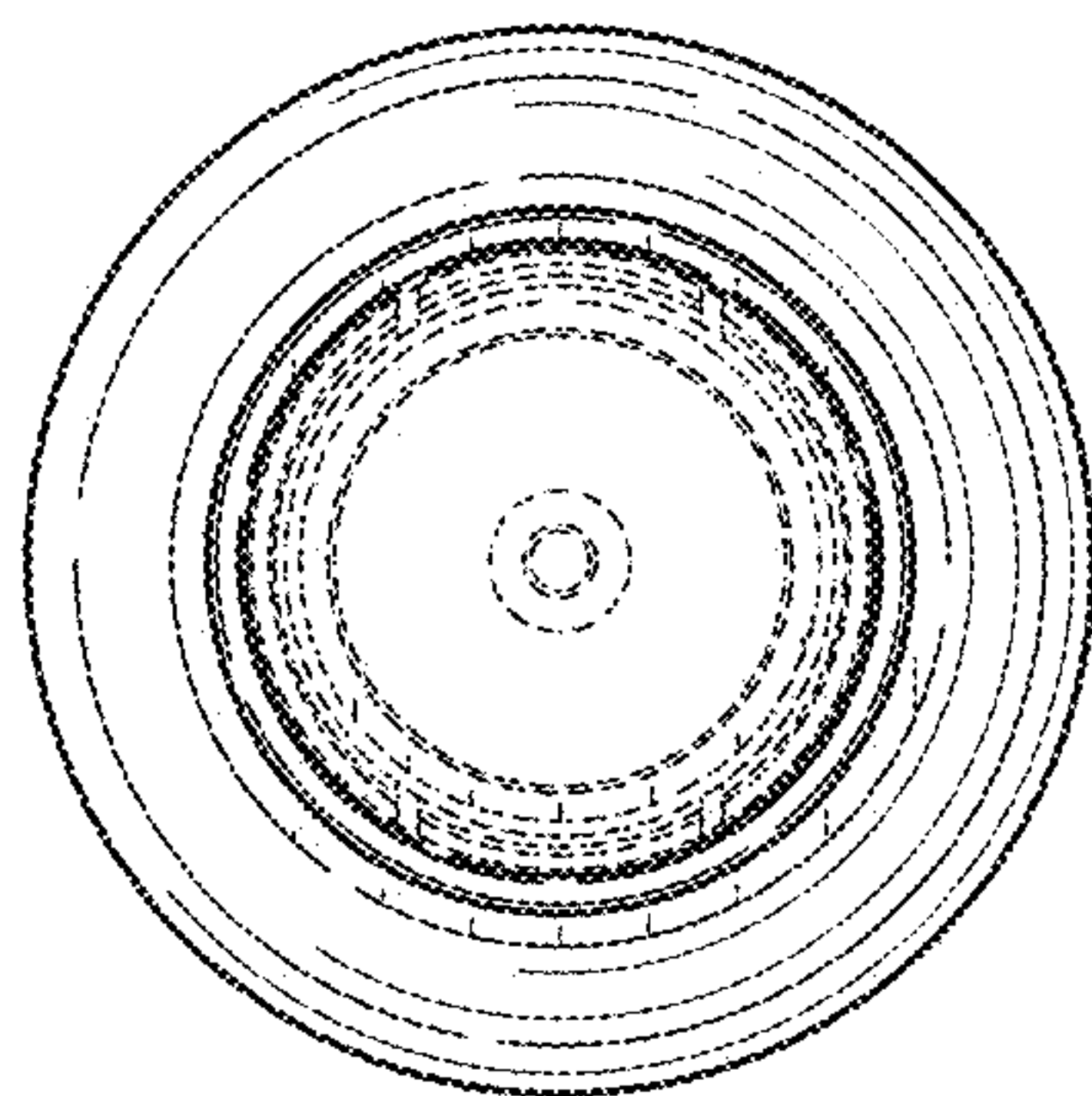


FIG. 6

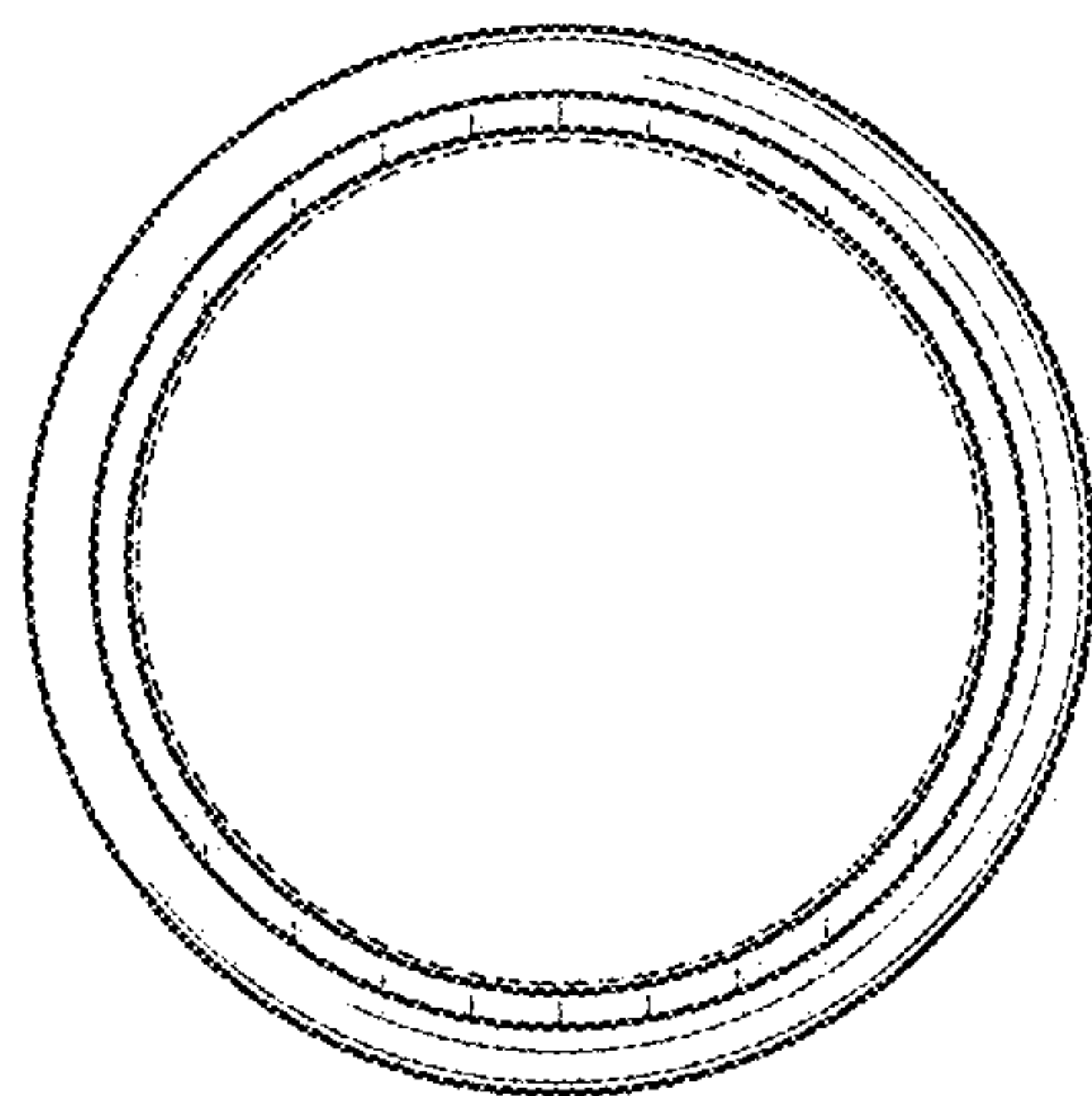


FIG. 7