



US00D894736S

(12) **United States Design Patent** (10) **Patent No.:** **US D894,736 S**  
**Merino** (45) **Date of Patent:** **\*\* \*Sep. 1, 2020**

(54) **BOTTLE CAP**

(71) Applicant: **Packaging Products del Peru S.A.**,  
Lima (PE)

(72) Inventor: **Alfredo Abel Merino**, Lima (PE)

(73) Assignees: **Alfredo Abel Merino**, Lima (PE);  
**Roberto Carlos Martínez**, Lima (PE)

(\* ) Notice: This patent is subject to a terminal dis-  
claimer.

(\*\*) Term: **15 Years**

(21) Appl. No.: **29/658,732**

(22) Filed: **Aug. 2, 2018**

(51) **LOC (12) Cl.** ..... **09-07**

(52) **U.S. Cl.**  
USPC ..... **D9/452**

(58) **Field of Classification Search**

USPC ..... D3/202, 203.1, 203.2, 318; D7/300,  
D7/300.1, 316, 317, 323, 354, 387, 391,  
D7/392, 392.1, 393, 396.1, 396.2, 396.4,  
D7/397, 398, 503, 509, 510, 511, 523,  
D7/526-531, 538, 566, 568, 600.1, 602,  
D7/603, 614, 619.1, 629, 704, 900;  
D9/434, 435, 440, 447, 452, 453, 454,  
D9/499, 516, 529, 686, 723, 433, 445,  
D9/456; D24/121, 127, 199, 224;  
D23/249, 259, 260, 261; D8/14, 14.1,  
D8/45, 300, 307, 343, 354, 400, 402;  
D15/138, 143; D34/7, 10, 11; D28/76,  
D28/84, 85, 91.1; D19/192, 194  
CPC ..... B65D 2517/5091; B65D 41/04; B65D  
23/12; B65D 1/0246; B65D 47/265;  
B65D 47/065; B65D 51/24; B65D  
51/224; B65D 51/245; B65D 2101/0015;  
B65D 2251/0093; B65D 85/72; B65D  
51/18; B65D 51/28; B65D 51/242; B65D  
51/2814;

(Continued)

(56) **References Cited**

U.S. PATENT DOCUMENTS

468,226 A \* 2/1892 Painter ..... B65D 41/12  
215/324  
D108,353 S \* 2/1938 Young ..... D9/445  
(Continued)

OTHER PUBLICATIONS

Coca Cola Bottle Cap: Announced Mar. 7, 2011 [online]. Site  
Visited [Dec. 8, 2019]. Available from Internet URL: <https://www.turbosquid.com/3d-models/3d-coca-cola-bottle-cap-model/591203>.\*

(Continued)

*Primary Examiner* — Catherine S Posthauer

(74) *Attorney, Agent, or Firm* — Schmeiser, Olsen &  
Watts LLP

(57) **CLAIM**

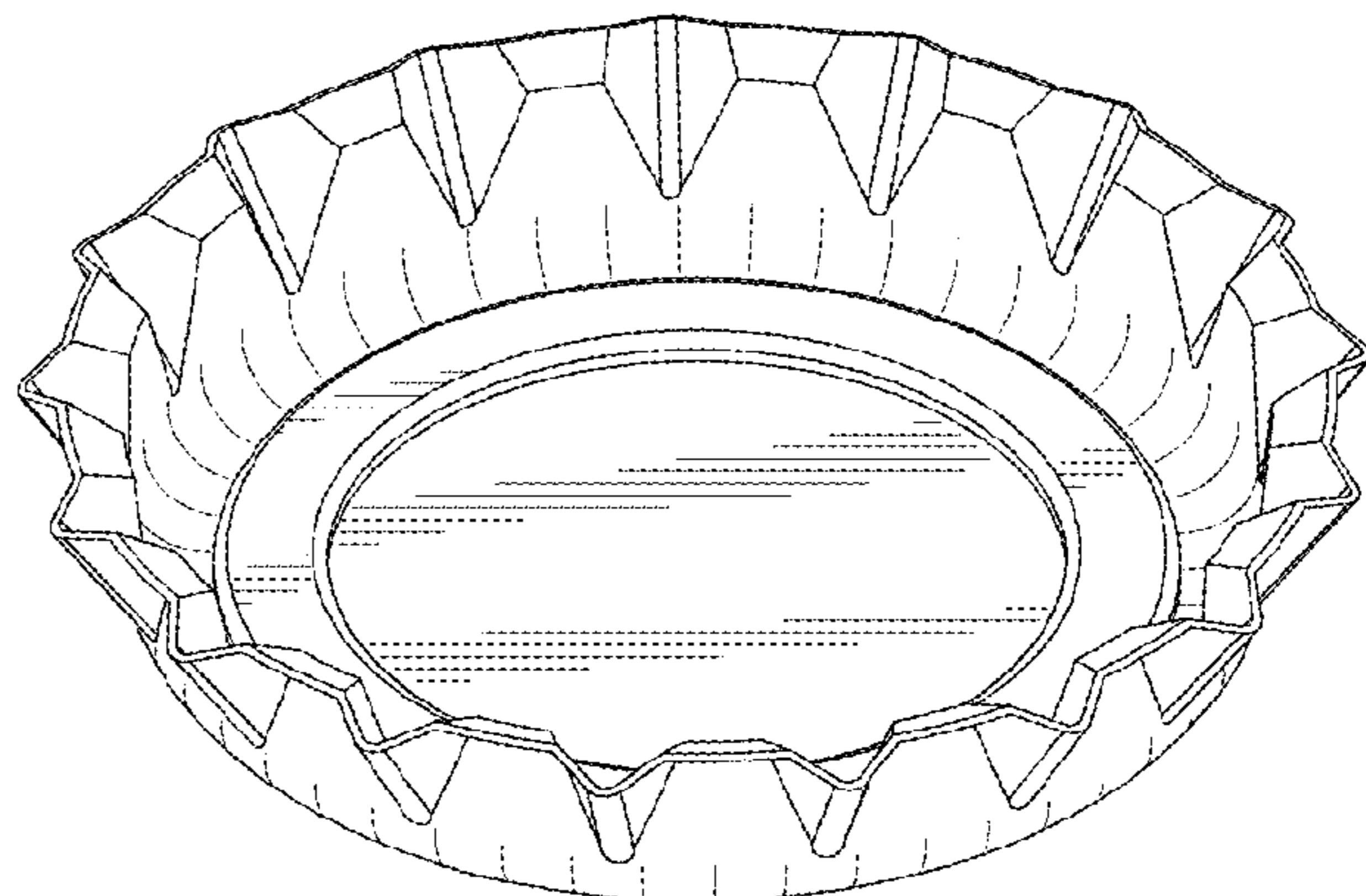
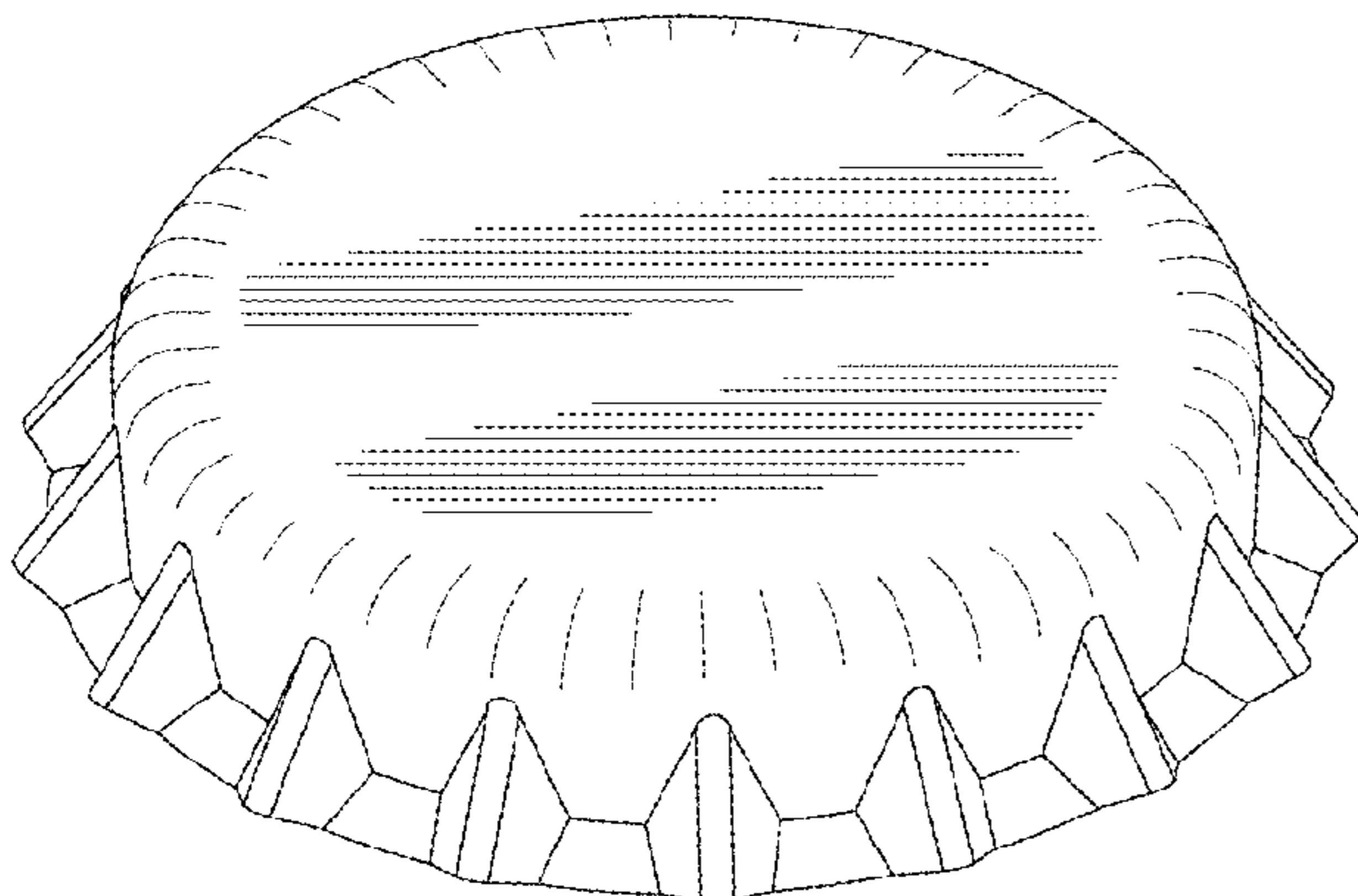
The ornamental design for a “bottle cap”, as shown and  
described.

**DESCRIPTION**

FIG. 1 is a top perspective view of a front and top face of  
a bottle cap;  
FIG. 2 is a bottom perspective view of a front and bottom  
face of the bottle cap of FIG. 1;  
FIG. 3 is top view of the bottle cap of FIG. 1;  
FIG. 4 is a bottom view of the bottle cap of FIG. 1;  
FIG. 5 is a front view of the bottle cap of FIG. 1;  
FIG. 6 is a rear view of the bottle cap of FIG. 1;  
FIG. 7 is a left side view of the bottle cap of FIG. 1;  
FIG. 8 is a right side view of the bottle cap of FIG. 1;  
FIG. 9 is a cross-sectional view of the bottle cap, taken in the  
direction of line 9-9 on FIG. 3; and,  
FIG. 10 is an enlargement view taken from within line 10 on  
FIG. 9.

The broken lines shown on FIGS. 9 and 10 represent the  
designation of enlargement views and form no part of the  
claimed design.

**1 Claim, 4 Drawing Sheets**



(58) **Field of Classification Search**

CPC ..... B65D 51/2821; B65D 21/0228; B65D 41/3447; B65D 1/02; B65D 50/041; B65D 2215/02; A61L 9/12; A47G 19/2205; A47G 19/2222; A47G 19/2266; A47G 19/2272; A47G 19/2294; A47G 19/22; A47J 43/27; B05B 7/2437; B05C 17/00576; E03F 5/02; A61M 35/003; A01M 1/02; A01M 1/04; A01M 1/106

See application file for complete search history.

(56) **References Cited**

U.S. PATENT DOCUMENTS

3,198,369 A \* 8/1965 St. Jacques ..... B65D 41/12  
215/328  
3,200,982 A \* 8/1965 Cormier ..... B65D 41/42  
215/253  
3,281,001 A \* 10/1966 Stuart ..... B65D 41/42  
215/254  
3,547,746 A \* 12/1970 Gwinner ..... B29C 43/18  
428/172  
3,774,795 A \* 11/1973 Leenaards ..... B65D 1/0246  
215/328  
4,337,871 A \* 7/1982 Tucker ..... B65D 41/12  
215/328  
5,263,600 A \* 11/1993 Henning ..... B65D 41/0464  
215/295  
D363,075 S \* 10/1995 Dunn ..... D15/90  
5,806,700 A \* 9/1998 Henning ..... B65D 1/0246  
215/238  
6,006,933 A \* 12/1999 Henning ..... B65D 41/12  
215/326  
6,179,141 B1 \* 1/2001 Nakamura ..... B65D 1/023  
215/261  
6,183,827 B1 \* 2/2001 Folchini ..... B65D 41/12  
428/64.1  
D462,506 S \* 9/2002 Davison, III ..... D2/869  
D470,413 S \* 2/2003 Seidita ..... D9/452  
D485,179 S \* 1/2004 Kouri ..... D9/435

D495,255 S \* 8/2004 Lewis ..... D9/436  
D513,587 S \* 1/2006 Forte ..... D9/435  
D516,426 S \* 3/2006 Golding ..... D9/452  
D548,016 S \* 8/2007 Jackson ..... D7/625  
D585,202 S \* 1/2009 Curtis ..... D6/351  
D587,579 S \* 3/2009 Bourque ..... D9/452  
D644,822 S \* 9/2011 Keppler ..... D2/870  
D670,166 S \* 11/2012 Lavender ..... D9/452  
8,322,549 B2 \* 12/2012 Bourque ..... B65D 41/12  
215/324  
D673,851 S \* 1/2013 Yates ..... D9/452  
D799,961 S \* 10/2017 Yu ..... D9/452  
D848,842 S \* 5/2019 Ramsey ..... D9/452  
D853,215 S \* 7/2019 Bellamy, Sr. .... D8/40  
D855,462 S \* 8/2019 Ramsey ..... D9/452  
D859,733 S \* 9/2019 Sharp ..... D27/118  
2004/0074863 A1 \* 4/2004 Ramsey ..... B65D 41/12  
215/327  
2005/0029218 A1 \* 2/2005 Golding ..... B65D 41/12  
215/328  
2009/0266784 A1 \* 10/2009 Garuti ..... B65D 41/42  
215/316

OTHER PUBLICATIONS

3D Model Beer Cap: Announced Jan. 7, 2019 [online]. Site Visited [Dec. 8, 2019]. Available from Interent URL: <https://www.turbosquid.com/3d-models/3d-model-beer-cap-1363947>.\*

New Bottle Cap: Announced Jun. 30, 2015 [online]. Site Visited [Dec. 8, 2019]. Available from Internet URL: <https://www.turbosquid.com/3d-models/3d-model-of-new-bottle-cap/940141>.\*

3D Bottle Cap: Announced Sep. 22, 2019 [online]. Site Visited [Dec. 9, 2019]. Available from Internet URL: <https://www.turbosquid.com/3d-models/3d-bottle-cap-1450999>.\*

3D Bottle Cap: Announced Jan. 5, 2018 [online]. Site Visited [Dec. 8, 2019]. Available from Internet URL: <https://www.turbosquid.com/FullPreview/Index.cfm/ID/1243627>.\*

White Crown Beer Bottle Cap: Announced Jun. 13, 2017 [online]. Site Visited [Dec. 31, 2019]. Available from Internet URL: <https://www.thecarycompany.com/white-crown-beer-bottle-caps-oxygen-absorbing-10000>.\*

\* cited by examiner

FIG. 1

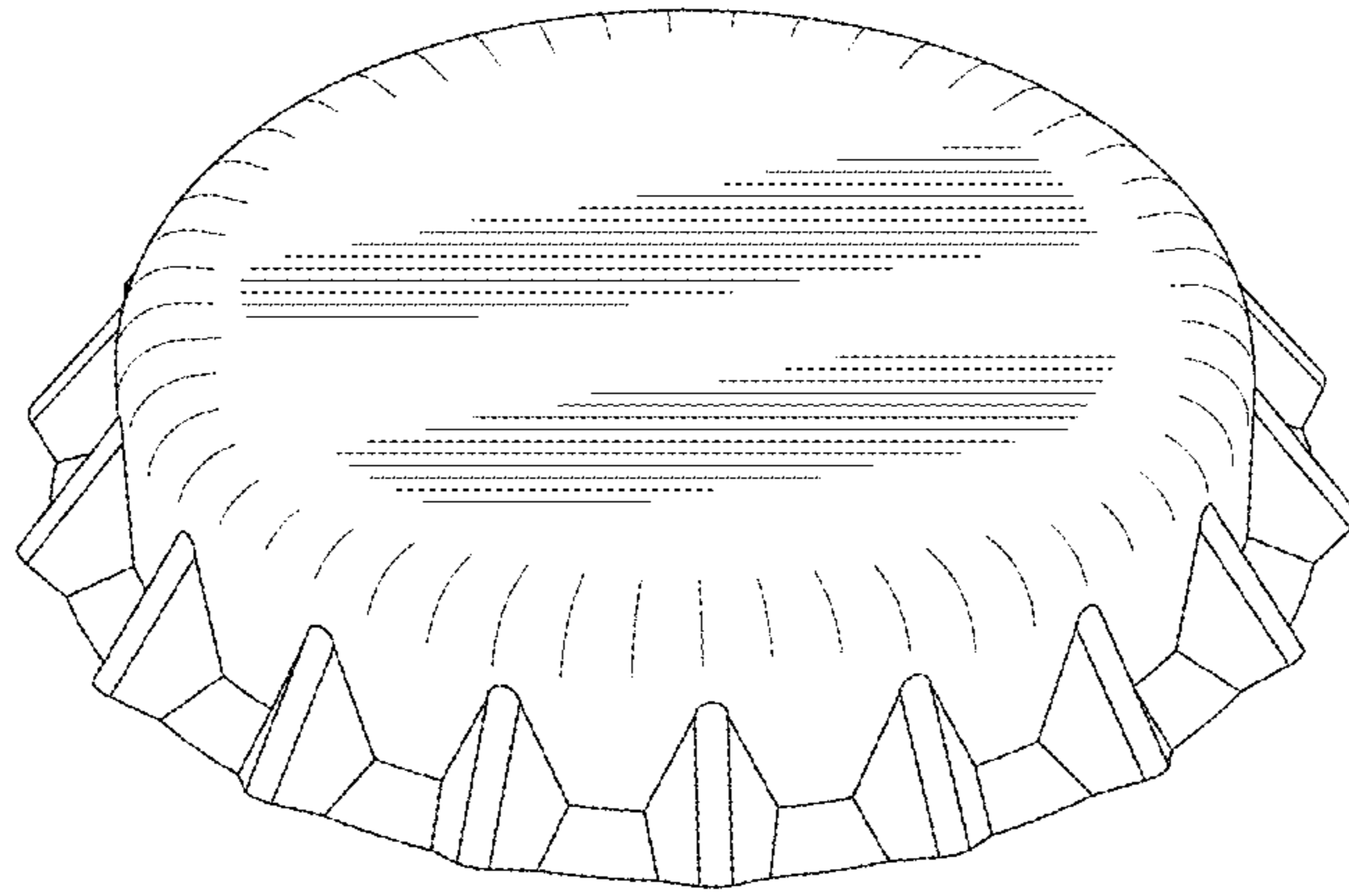


FIG. 2

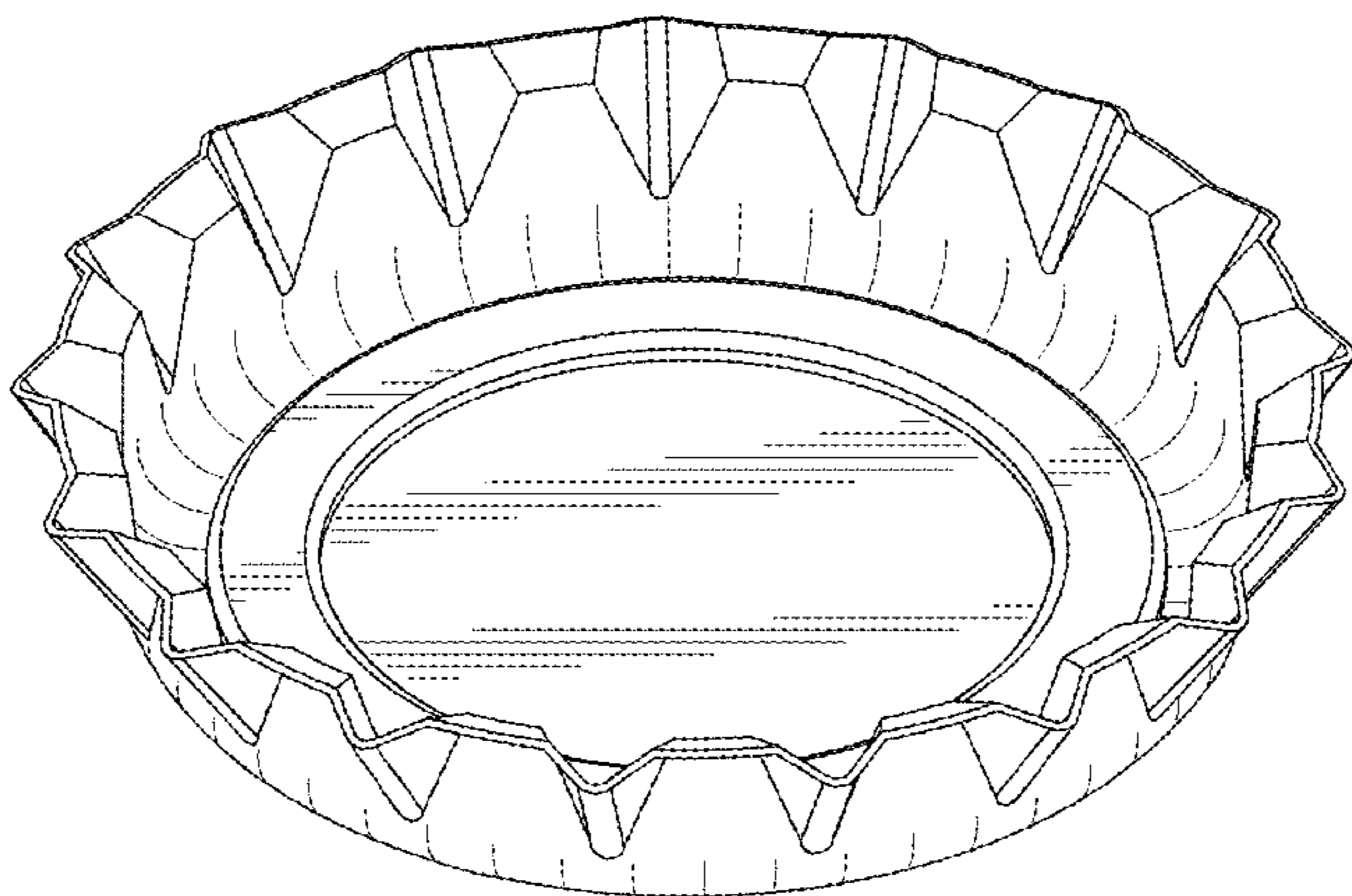




FIG. 3

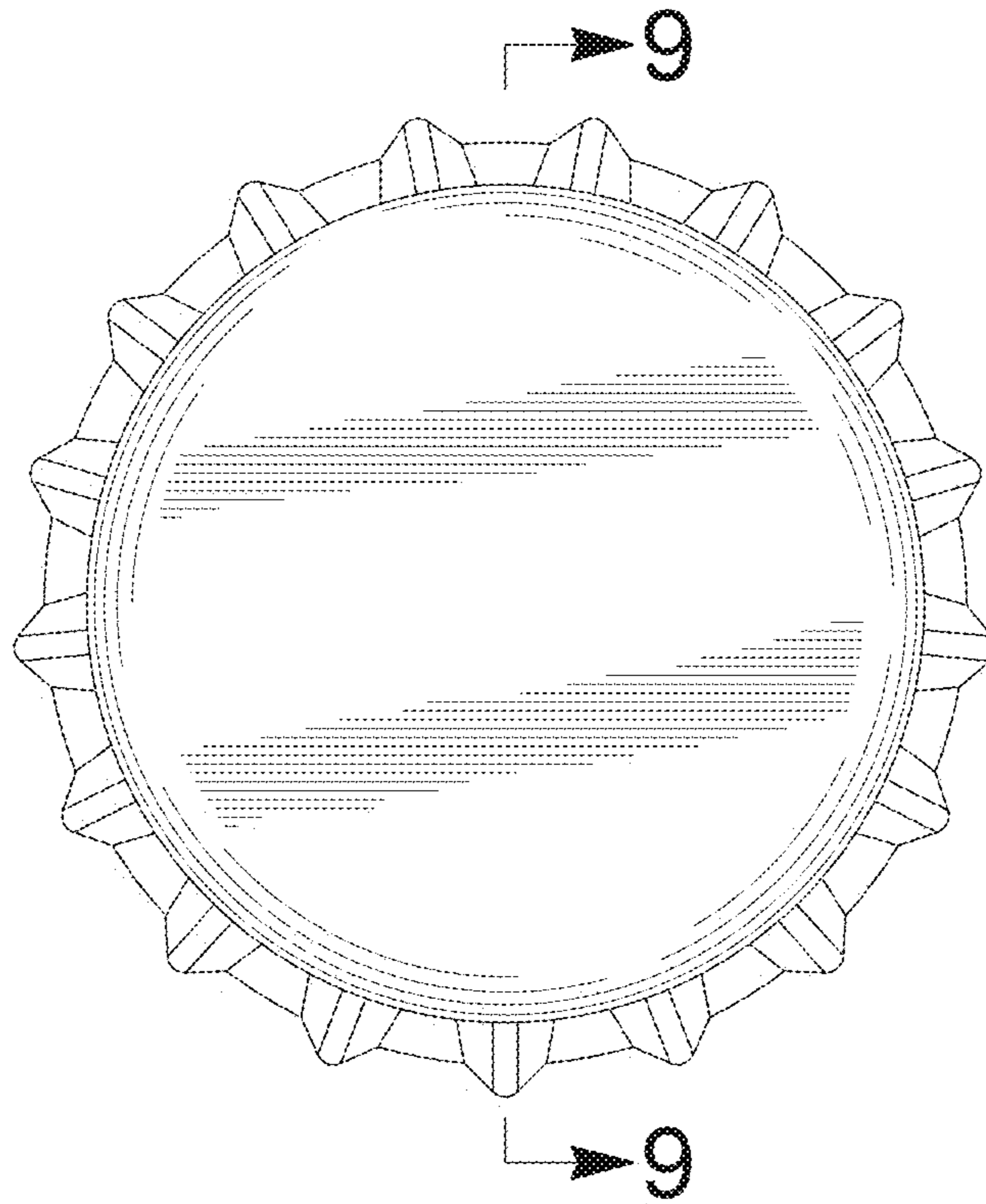


FIG. 4

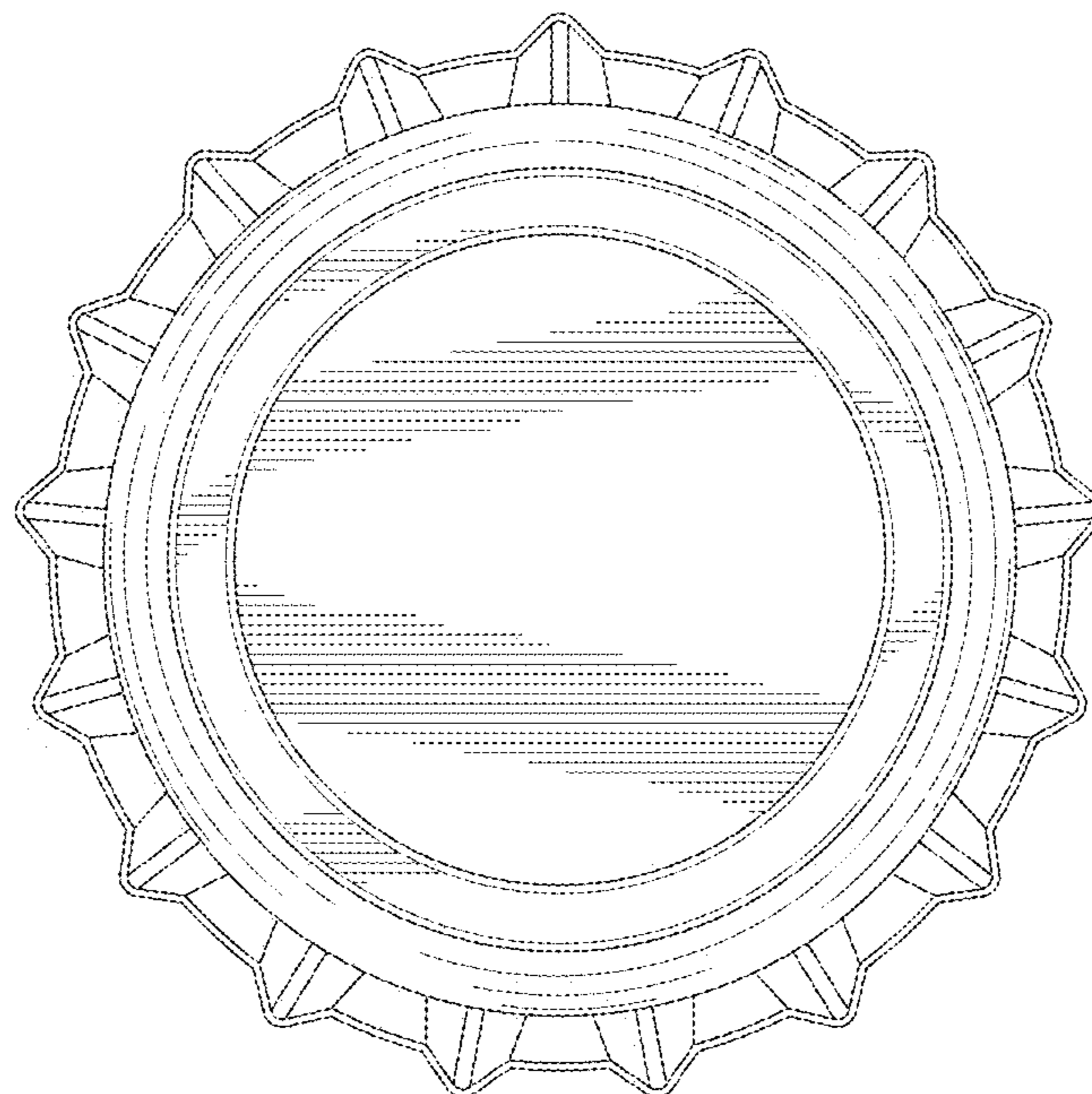


FIG. 5

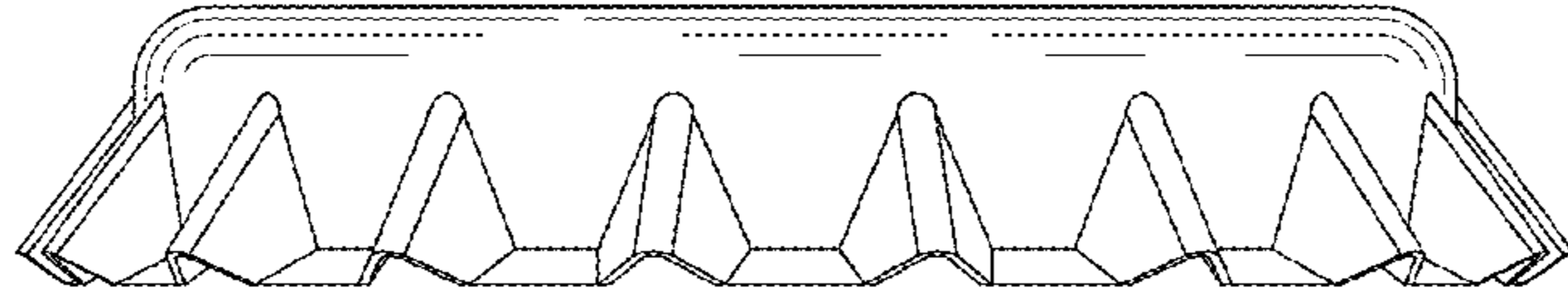


FIG. 6

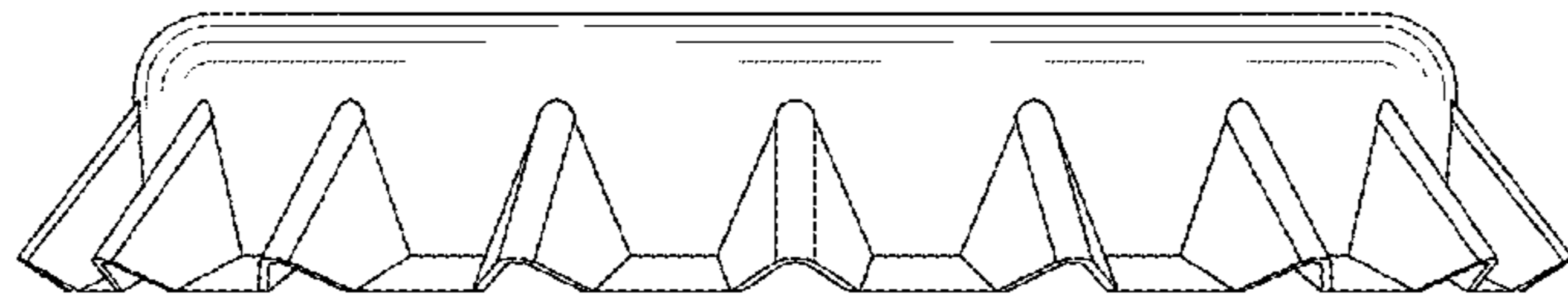


FIG. 7

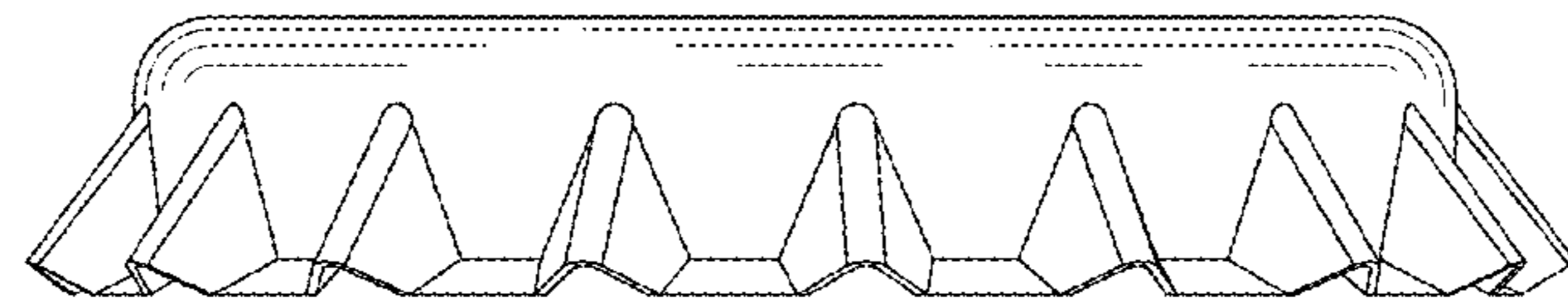


FIG. 8

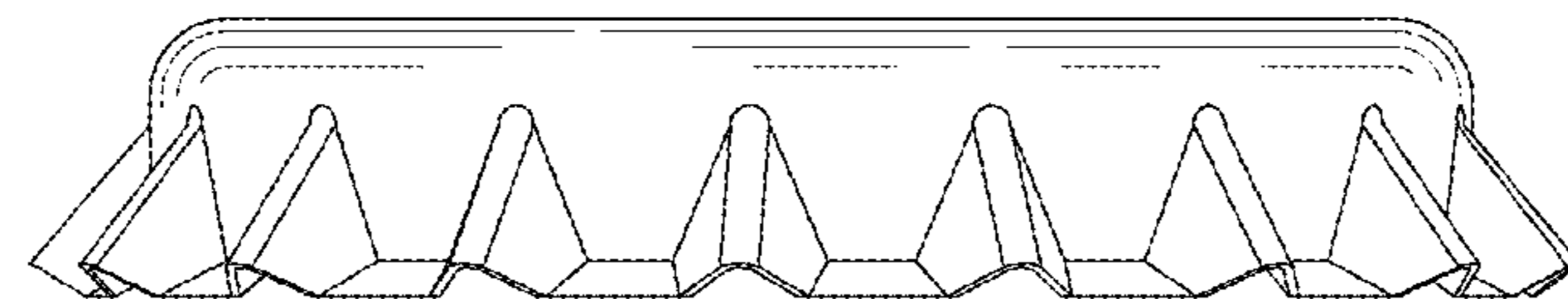


FIG. 9

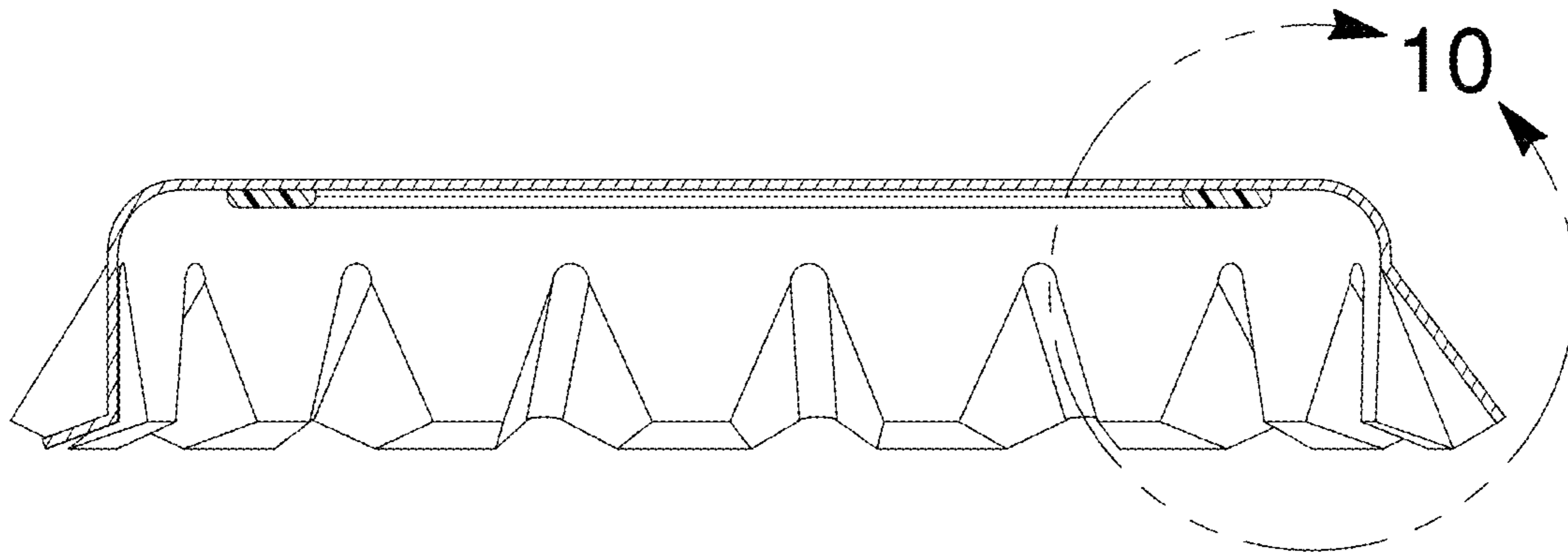


FIG. 10

