

US00D894732S

(12) **United States Design Patent**  
**Kennedy et al.**

(10) **Patent No.:** **US D894,732 S**

(45) **Date of Patent:** **\*\* Sep. 1, 2020**

(54) **CARTON BLANK**

(71) Applicant: **AVERY DENNISON RETAIL INFORMATION SERVICES, LLC**,  
Mentor, OH (US)

(72) Inventors: **Daniel Kennedy**, Northampton (GB);  
**Nicholas Phillips-Moul**, Beeston (GB)

(73) Assignee: **AVERY DENNISON RETAIL INFORMATION SERVICES, LLC**,  
Mentor, OH (US)

(\*\*) Term: **15 Years**

(21) Appl. No.: **29/680,268**

(22) Filed: **Feb. 14, 2019**

(51) **LOC (12) Cl.** ..... **09-03**

(52) **U.S. Cl.**  
USPC ..... **D9/433**

(58) **Field of Classification Search**  
USPC ..... D9/414-423, 430-433, 434, 456, 457,  
D9/711, 713, 721-722, 737, 756, 758,  
D9/759, 760

CPC ... B65D 5/00; B65D 5/02; B65D 5/18; B65D  
5/20

See application file for complete search history.

(56) **References Cited**

**U.S. PATENT DOCUMENTS**

D253,993 S \* 1/1980 Roccaforte ..... D9/433  
D261,990 S \* 11/1981 Roccaforte ..... D9/418

D262,359 S \* 12/1981 Roccaforte ..... D9/433  
D263,122 S \* 2/1982 Bonczyk ..... D9/433  
D682,092 S \* 5/2013 Stephens ..... D9/433  
D794,446 S \* 8/2017 Greenberg ..... D9/432  
D855,459 S \* 8/2019 Martin ..... D9/433  
D857,496 S \* 8/2019 Hughes ..... D9/433  
D858,277 S \* 9/2019 Toms, Jr. .... D9/433  
D859,148 S \* 9/2019 Toms, Jr. .... D9/433  
2006/0191984 A1\* 8/2006 Hitosugi ..... B65D 5/6685  
229/112  
2020/0010233 A1\* 1/2020 Price ..... B65B 25/20

\* cited by examiner

*Primary Examiner* — Vy N Koenig

(74) *Attorney, Agent, or Firm* — Avery Dennison Retail Information Services, LLC

(57) **CLAIM**

The ornamental design for a carton blank, as shown and described.

**DESCRIPTION**

FIG. 1 is an isometric view of a carton blank, showing our new design; and

FIG. 2 is a front view thereof;

FIG. 3 is a rear view thereof;

FIG. 4 is a left side view thereof;

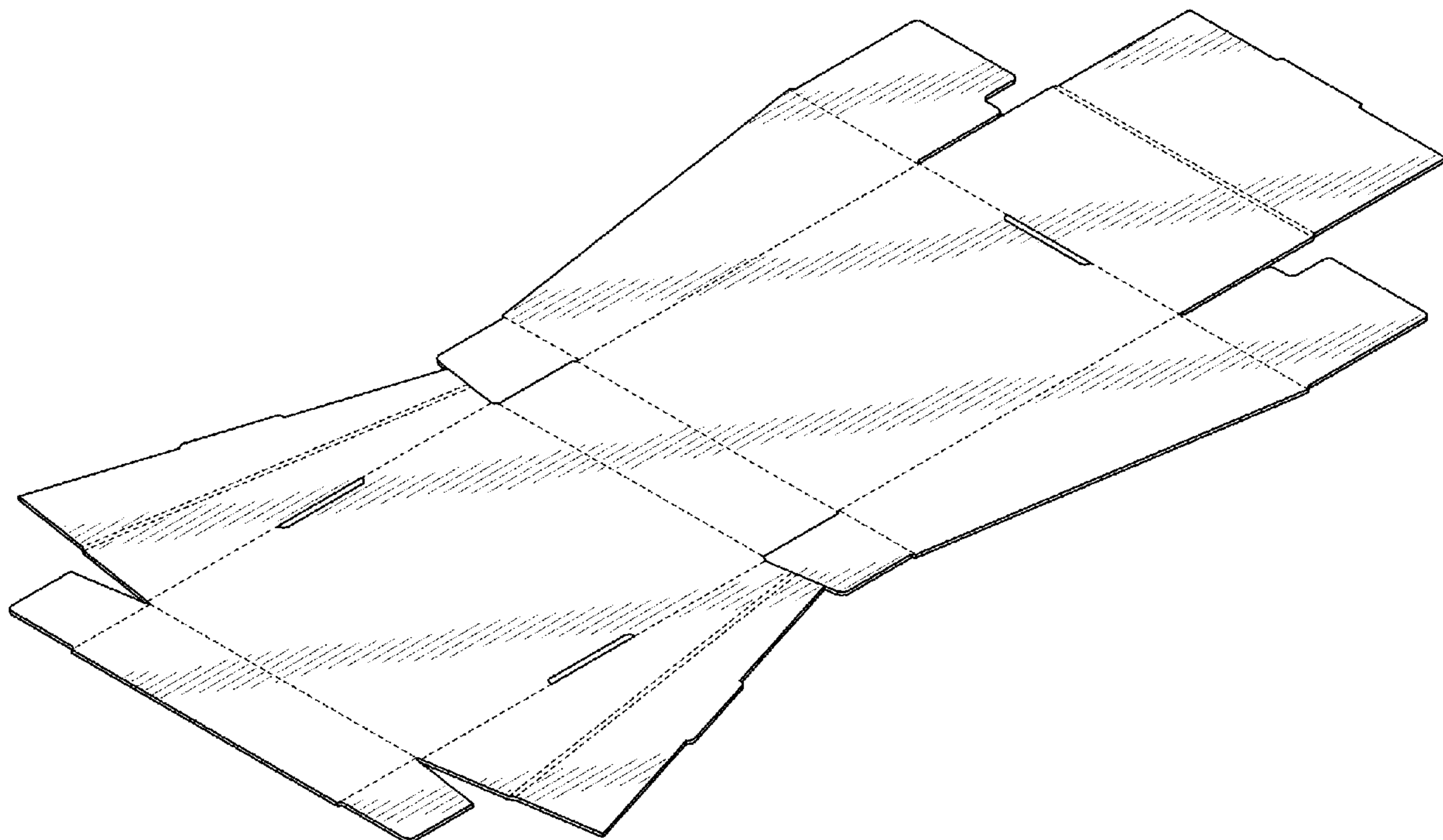
FIG. 5 is a right side view thereof;

FIG. 6 is a top view thereof; and,

FIG. 7 is a bottom view thereof.

The broken lines in the drawings depict fold lines and form a part of the claimed design.

**1 Claim, 5 Drawing Sheets**



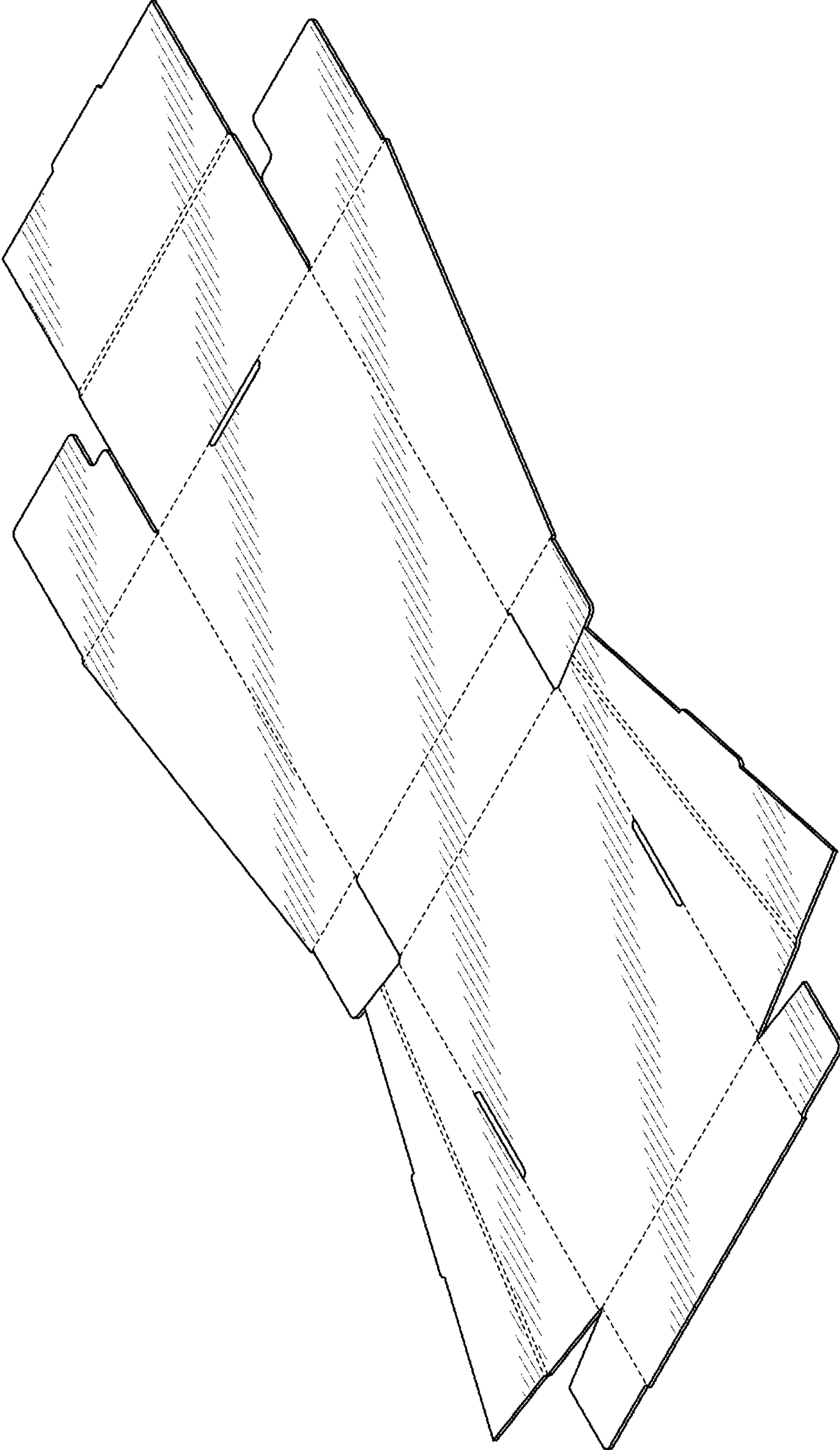


FIG. 1

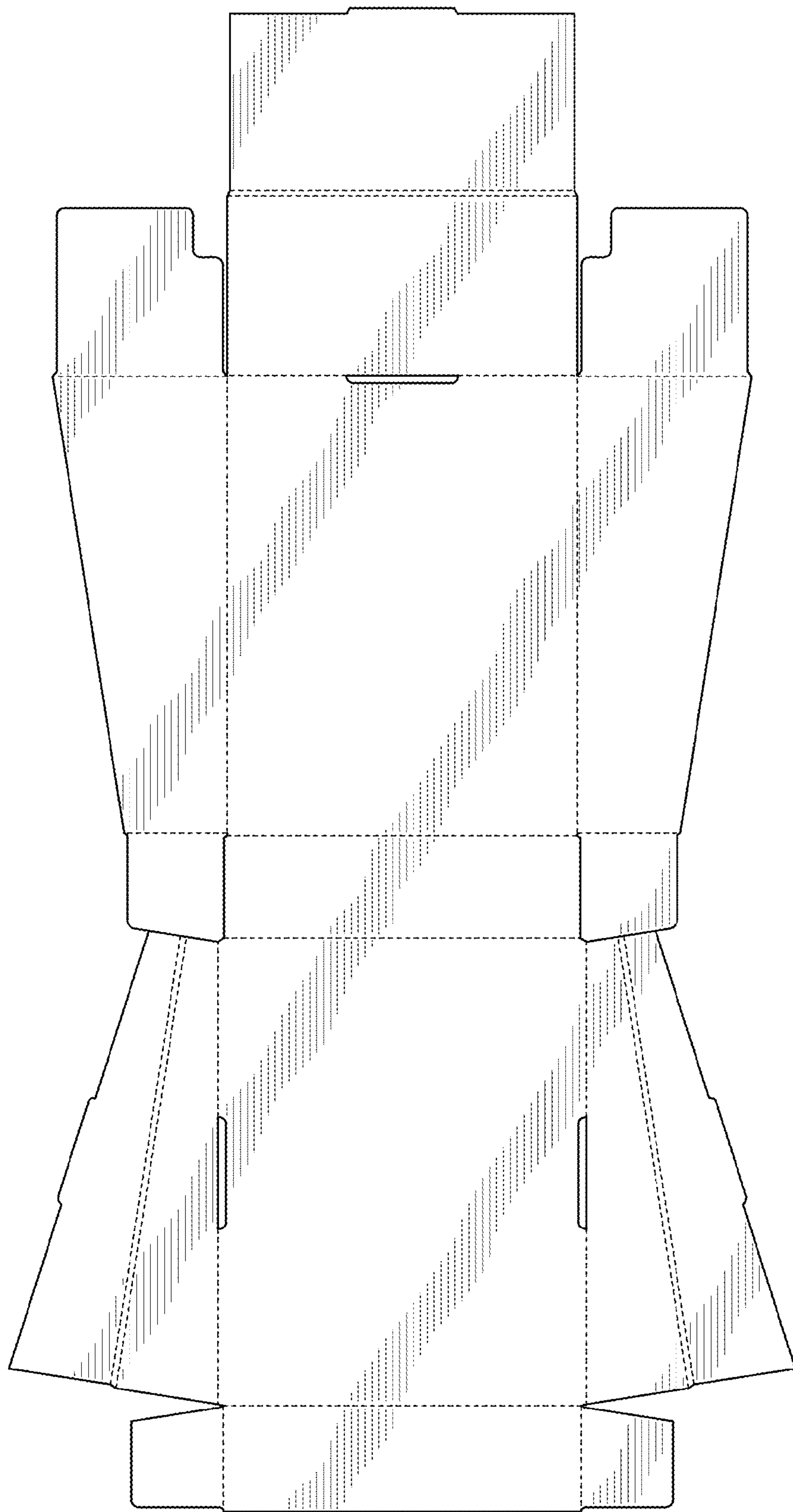


FIG. 2

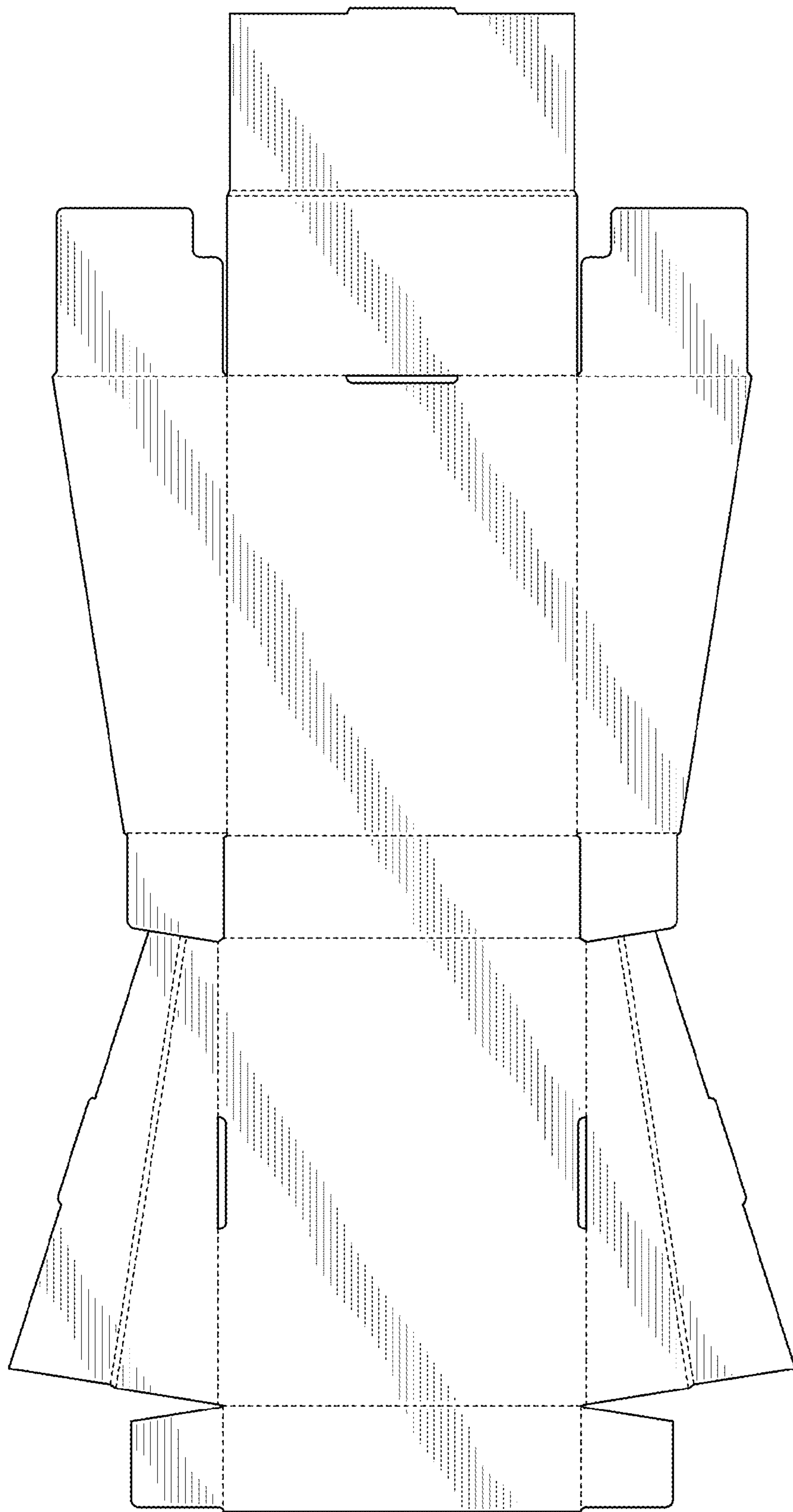


FIG. 3





FIG. 4



FIG. 5

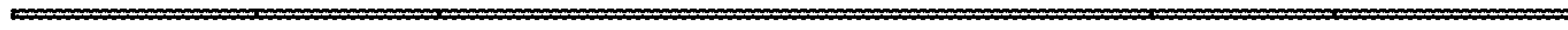


FIG. 6

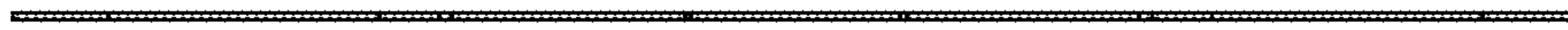


FIG. 7