



US00D894731S

(12) **United States Design Patent** (10) **Patent No.:** **US D894,731 S**  
**Lewandowski** (45) **Date of Patent:** **\*\* Sep. 1, 2020**

(54) **FOOD PACKAGING**

(71) Applicant: **Kellogg Company**, Battle Creek, MI (US)

(72) Inventor: **Eric Patrick Lewandowski**, Grand Ledge, MI (US)

(73) Assignee: **KELLOGG COMPANY**, Battle Creek, MI (US)

(\*\*) Term: **15 Years**

(21) Appl. No.: **29/666,134**

(22) Filed: **Oct. 10, 2018**

(51) **LOC (12) Cl.** ..... **09-03**

(52) **U.S. Cl.**

USPC ..... **D9/425**

(58) **Field of Classification Search**

USPC ..... D7/400, 601, 608; D9/416, 417, 420, D9/425-429, 430, 432, 761; 206/499, (Continued)

(56) **References Cited**

U.S. PATENT DOCUMENTS

1,514,379 A 11/1924 Fleischer  
3,819,080 A 6/1974 Bird  
(Continued)

FOREIGN PATENT DOCUMENTS

CA 1155088 10/1983  
CN 201840163 5/2011  
(Continued)

OTHER PUBLICATIONS

PCT/US2019/055681 International Search Report dated Dec. 20, 2019.

*Primary Examiner* — Janice Patyk

(74) *Attorney, Agent, or Firm* — Honigman LLP; Kathryn D. Doyle, Esq.; Jonathan P. O'Brien

(57) **CLAIM**

The ornamental design for a food packaging, as shown and described.

**DESCRIPTION**

FIG. 1 is a front, right side perspective view of a food packaging, shown in environmental use, showing my new design;

FIG. 2 is a front view thereof;

FIG. 3 is a rear view thereof;

FIG. 4 is a left side view thereof;

FIG. 5 is a right side view thereof;

FIG. 6 is a top plan view thereof, shown in environmental use; and

FIG. 7 is a bottom plan view thereof;

FIG. 8 is a front, right side perspective view thereof, shown without the inner container for ease of illustration;

FIG. 9 is a front view thereof shown without the inner container for ease of illustration;

FIG. 10 is a rear view thereof shown without the inner container for ease of illustration;

FIG. 11 is a left side view thereof shown without the inner container for ease of illustration;

FIG. 12 is a right side view thereof shown without the inner container for ease of illustration;

FIG. 13 is a top plan view thereof shown without the inner container for ease of illustration; and

FIG. 14 is a bottom plan view thereof shown without the inner container for ease of illustration;

FIG. 15 is a front, right side perspective view thereof, shown without the outer container for ease of illustration, shown in environmental use;

FIG. 16 is a front view thereof shown without the outer container for ease of illustration;

FIG. 17 is a rear view thereof shown without the outer container for ease of illustration;

FIG. 18 is a left side view thereof shown without the outer container for ease of illustration;

FIG. 19 is a right side view thereof shown without the outer container for ease of illustration;

FIG. 20 is a top plan view thereof shown without the outer container for ease of illustration; and,

(Continued)

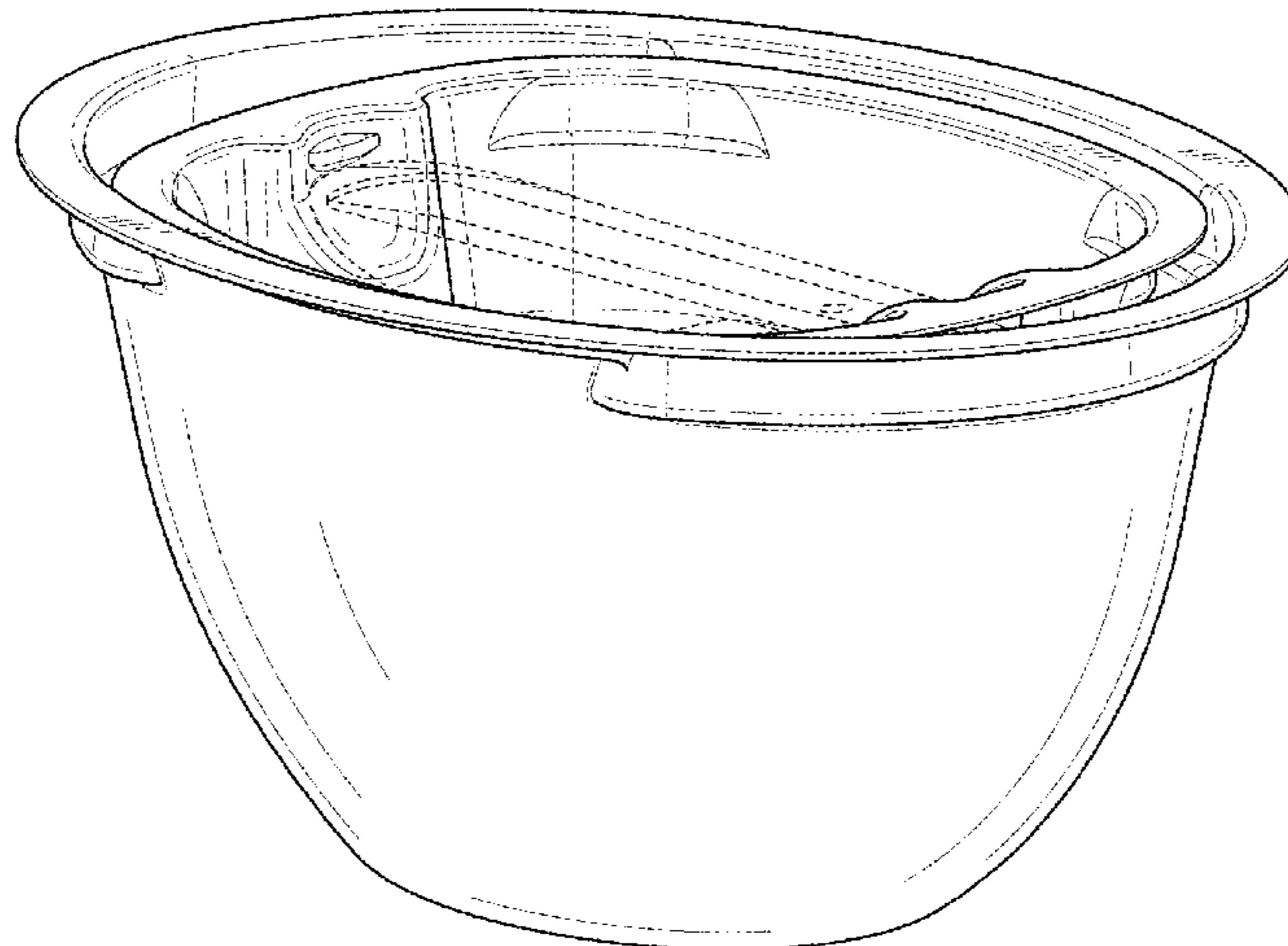


FIG. 21 is a bottom plan view thereof shown without the outer container for ease of illustration.

The broken lines in the figures illustrate the portions of the design that form no part of the claimed design.

The broken lines spoon in FIGS. 1, 6, and 15 illustrate environment subject matter that form no part of the claimed design.

**1 Claim, 12 Drawing Sheets**

D469,320	S	*	1/2003	Pettaweebuncha	.....	D7/629
D514,389	S	*	2/2006	Luna	.....	D7/602
D547,179	S	*	7/2007	Bouveret	.....	D9/428
D645,738	S	*	9/2011	Shiffer	.....	D9/425
D666,875	S	*	9/2012	Rusnak	.....	D7/602
D706,131	S	*	6/2014	Brooks	.....	D9/428
D723,339	S	*	3/2015	Maxwell	.....	D7/629
D756,769	S	*	5/2016	Tuchrelo	.....	D9/425
D764,277	S	*	8/2016	Irimia	.....	D9/428
2009/0142455	A1		6/2009	Parsons		

**(58) Field of Classification Search**

USPC ..... 206/501, 502, 821; 220/625, 656, 669,  
 220/670, 674; 229/123.1, 123.2, 125.33,  
 229/125.35, 400-407, 915, 939  
 CPC . B65D 1/26; B65D 1/40; B65D 5/243; B65D  
 81/3453; B65D 2581/34; B65D  
 2581/3404; B65D 2581/3456  
 See application file for complete search history.

**FOREIGN PATENT DOCUMENTS**

CN	106805632	6/2017
DE	2741999	3/1979
DE	8908305	9/1989
EP	0677454	10/1995
FR	1499662	10/1967
FR	2892388	4/2007
FR	3044643	6/2017
JP	H0930531	2/1997

**(56) References Cited**

**U.S. PATENT DOCUMENTS**

5,705,212 A      1/1998    Atkinson

\* cited by examiner

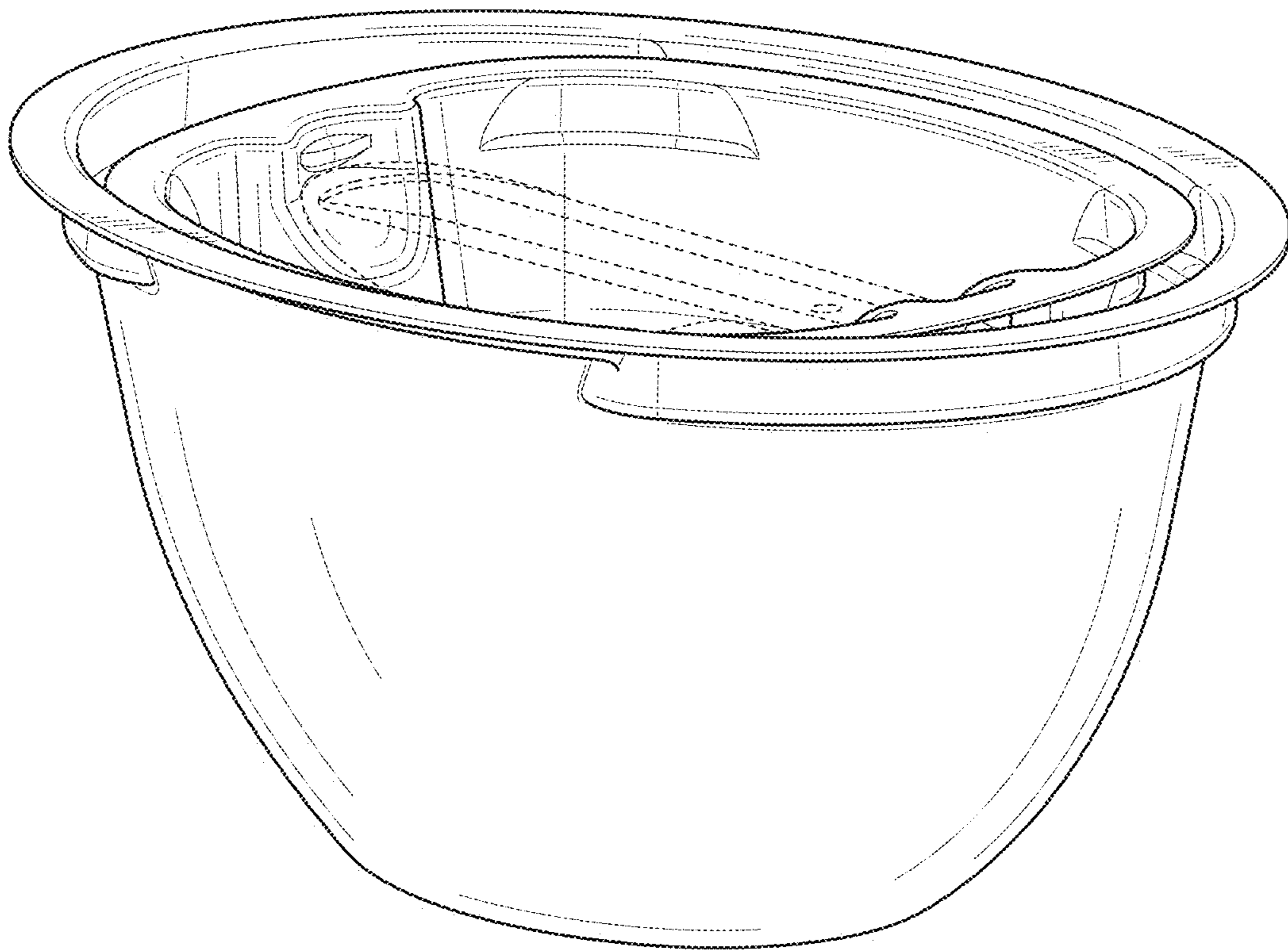


FIG. 1

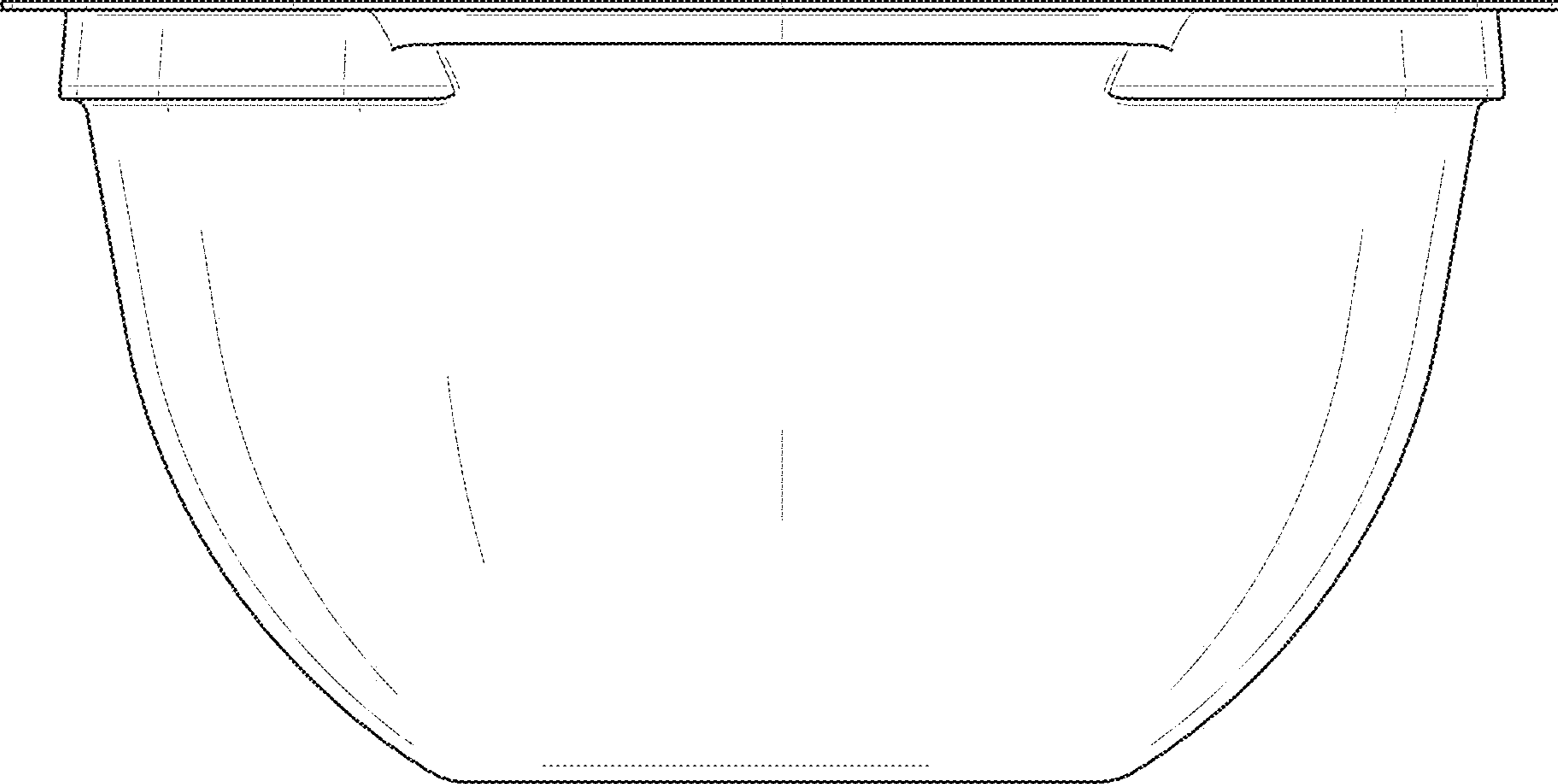


FIG. 2

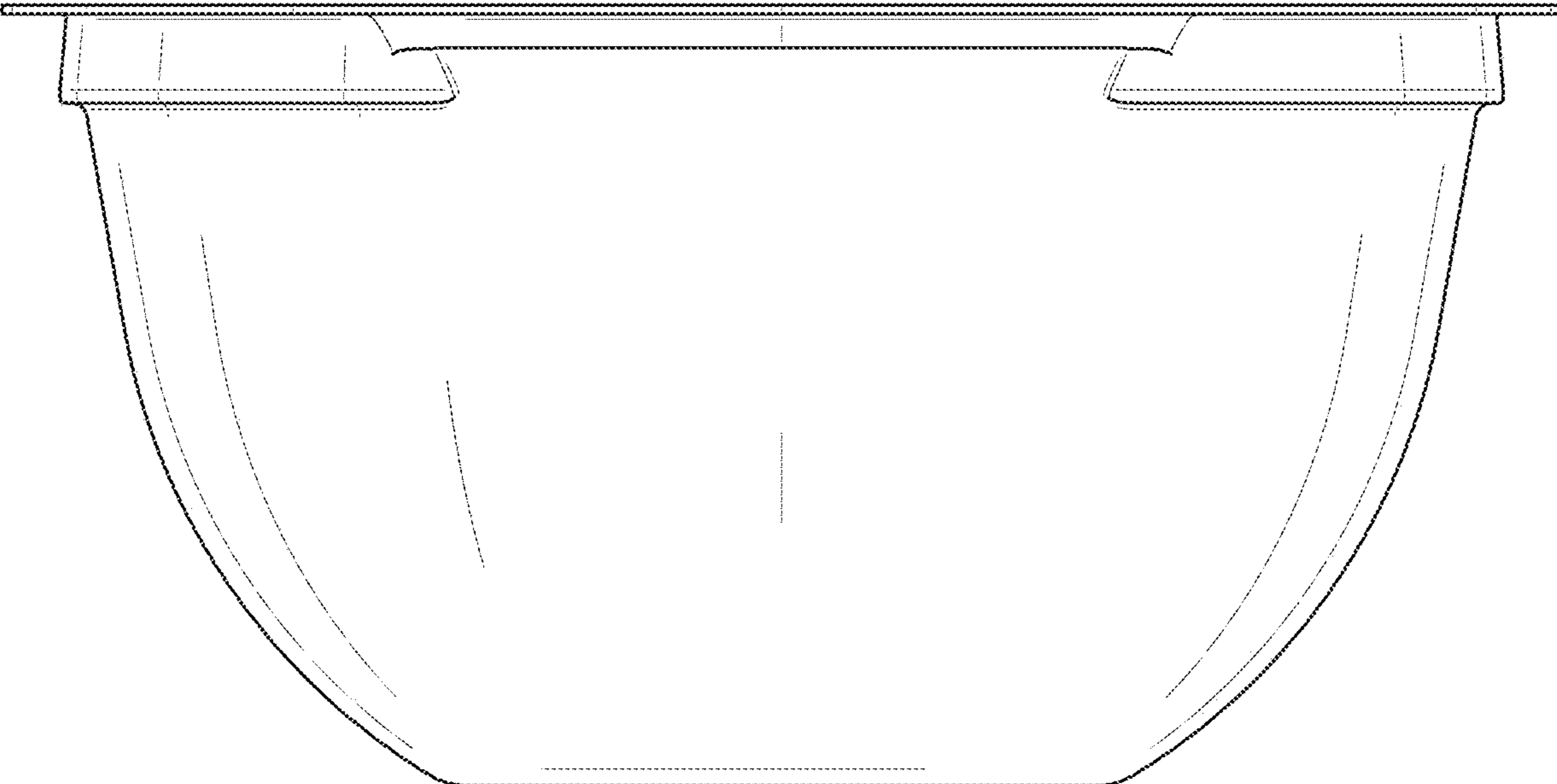


FIG. 3

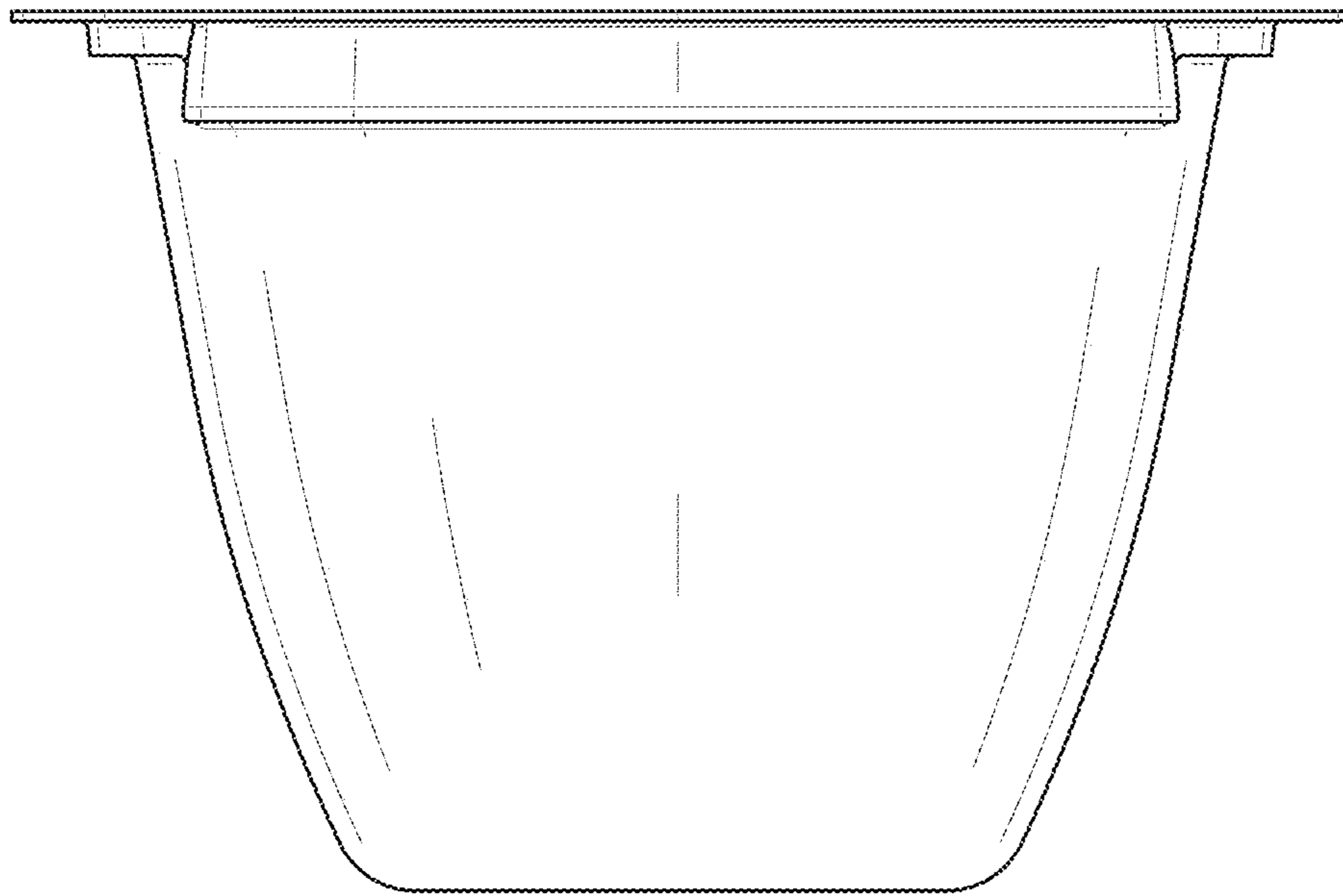


FIG. 4

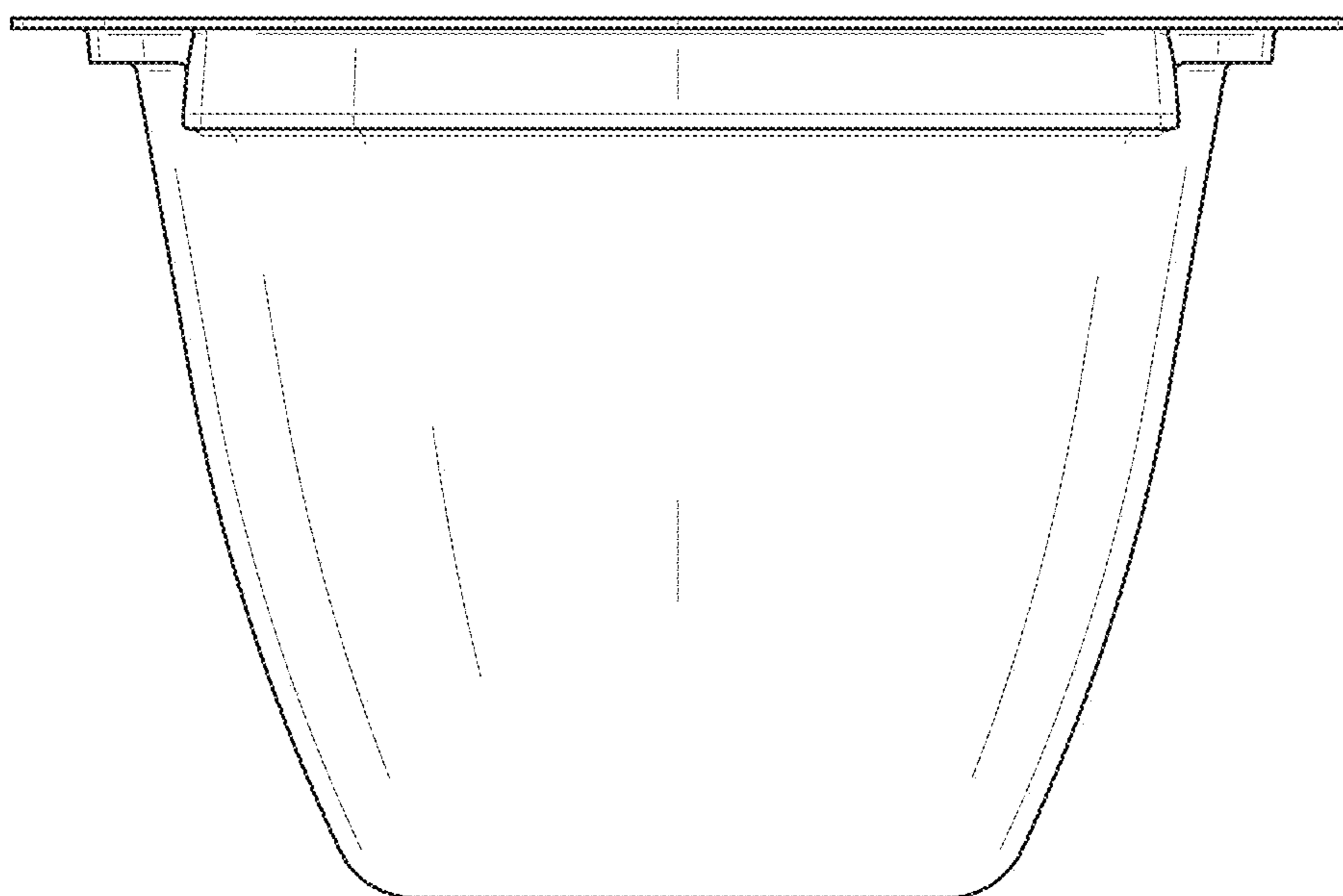


FIG. 5



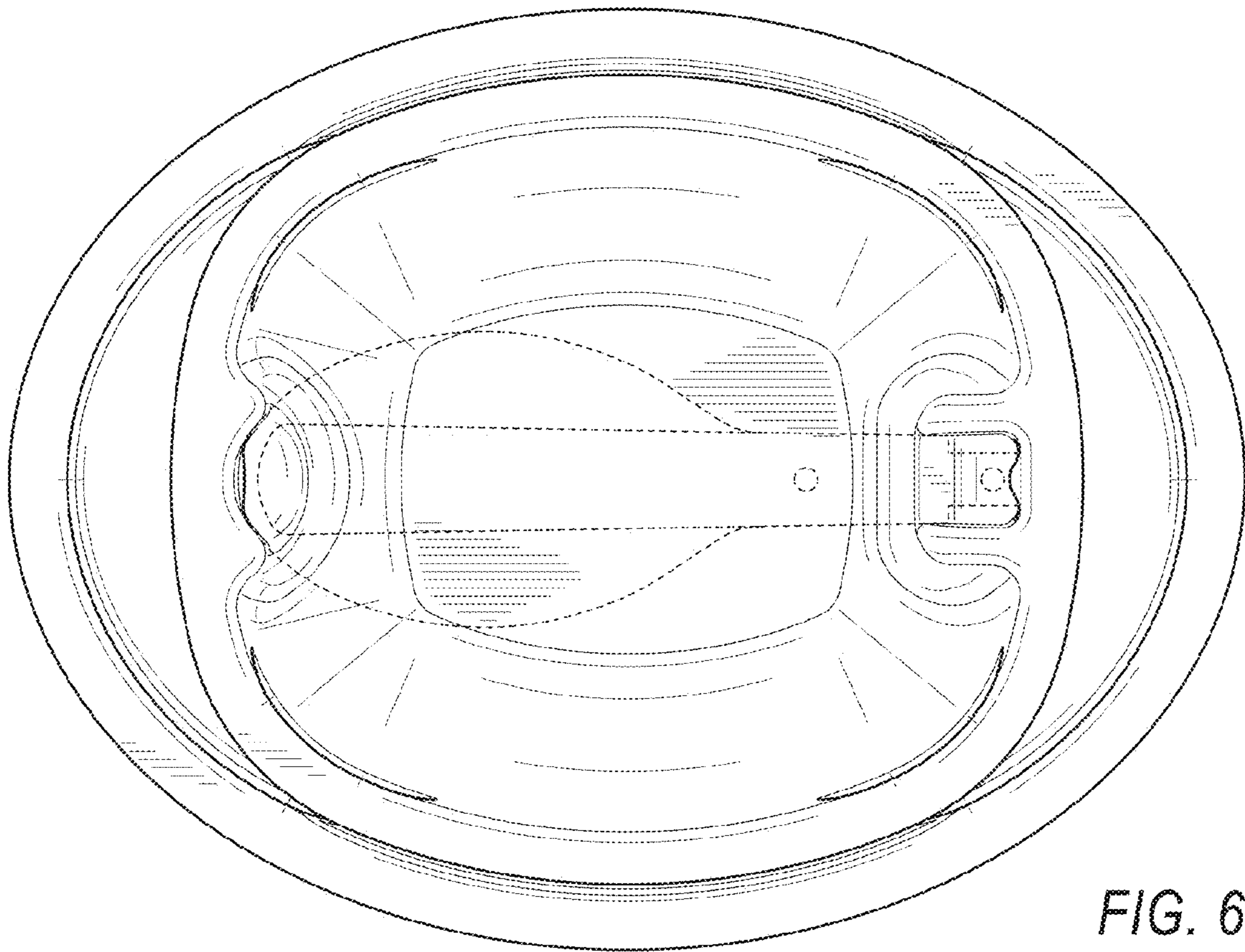


FIG. 6

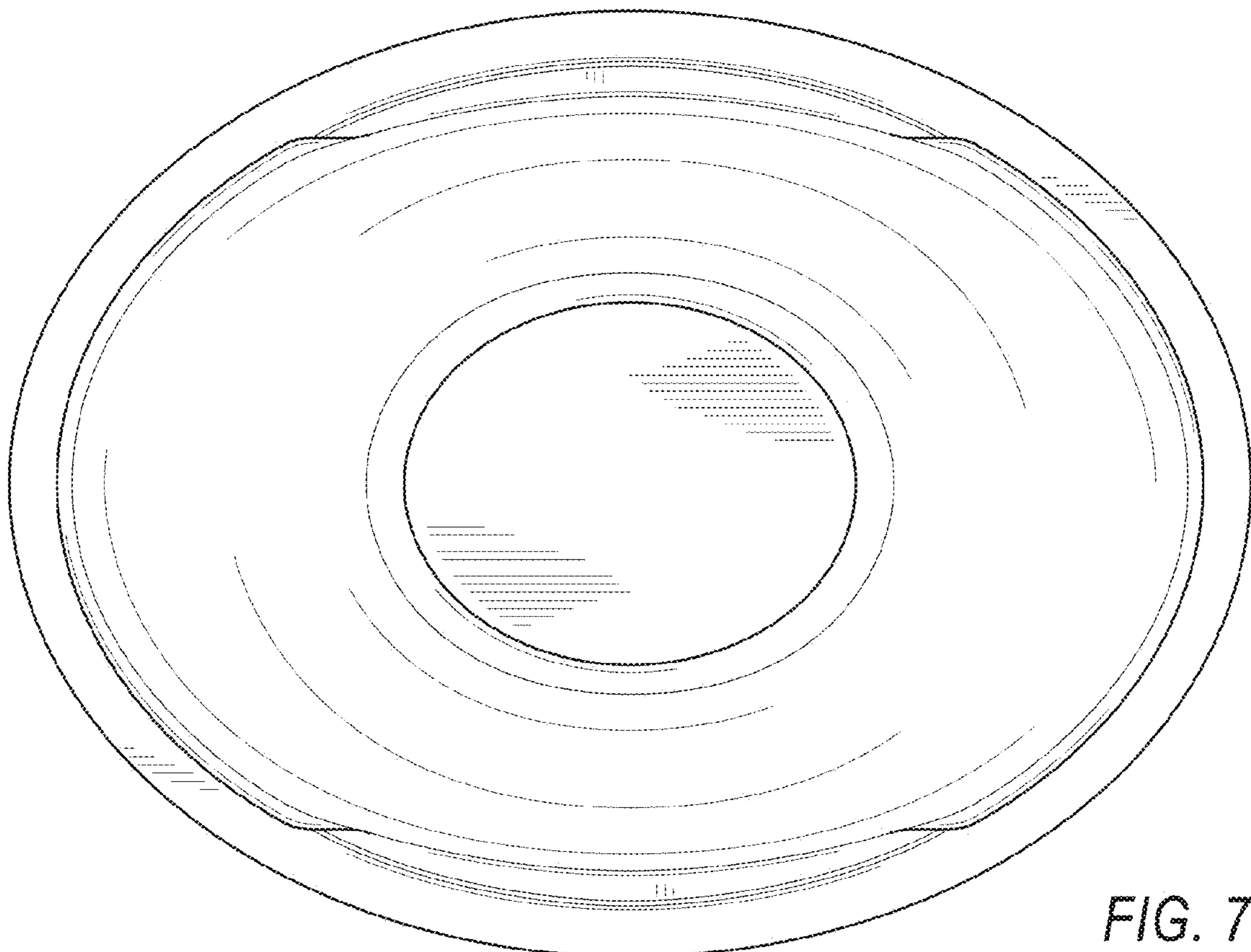


FIG. 7

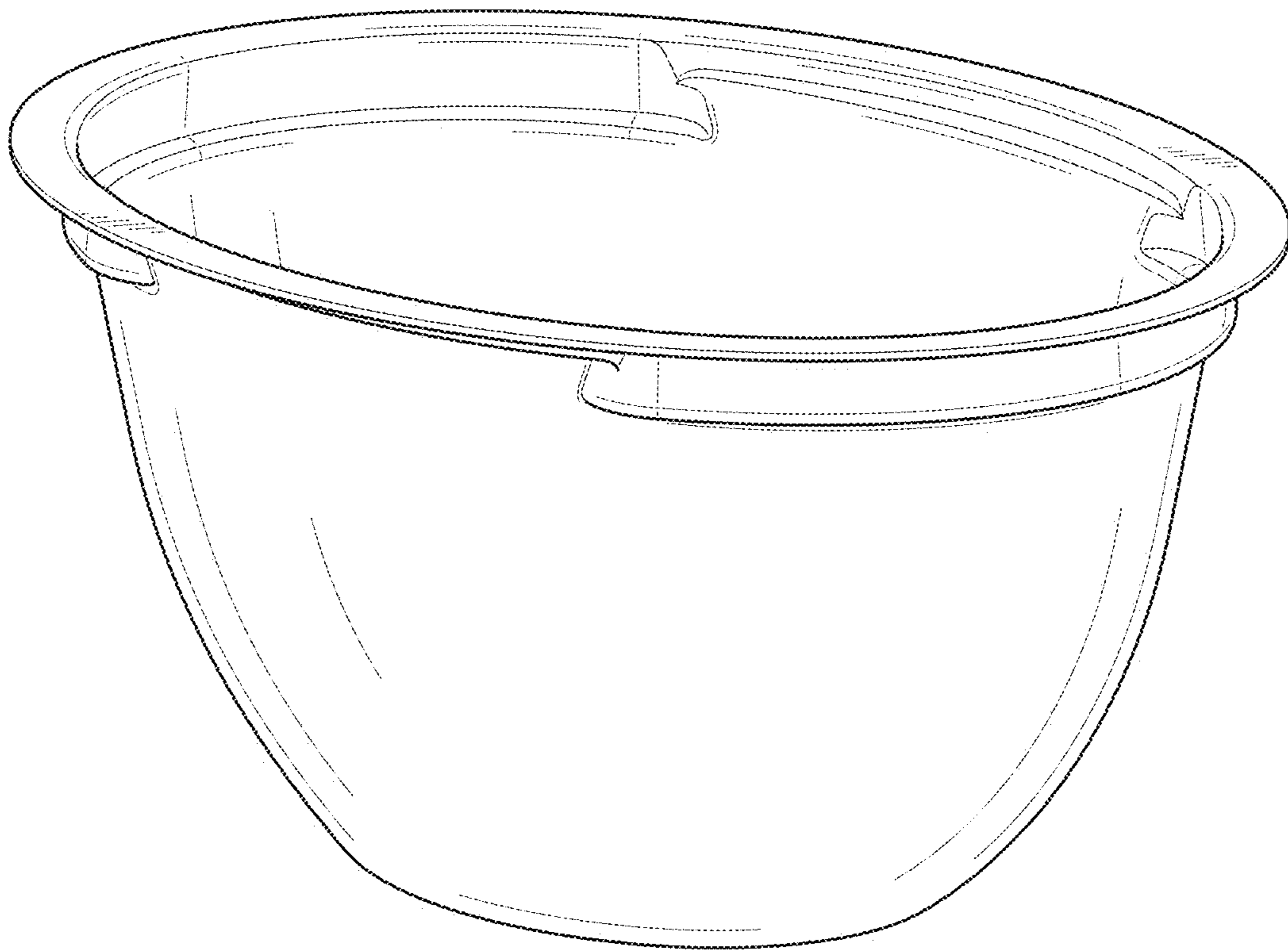


FIG. 8

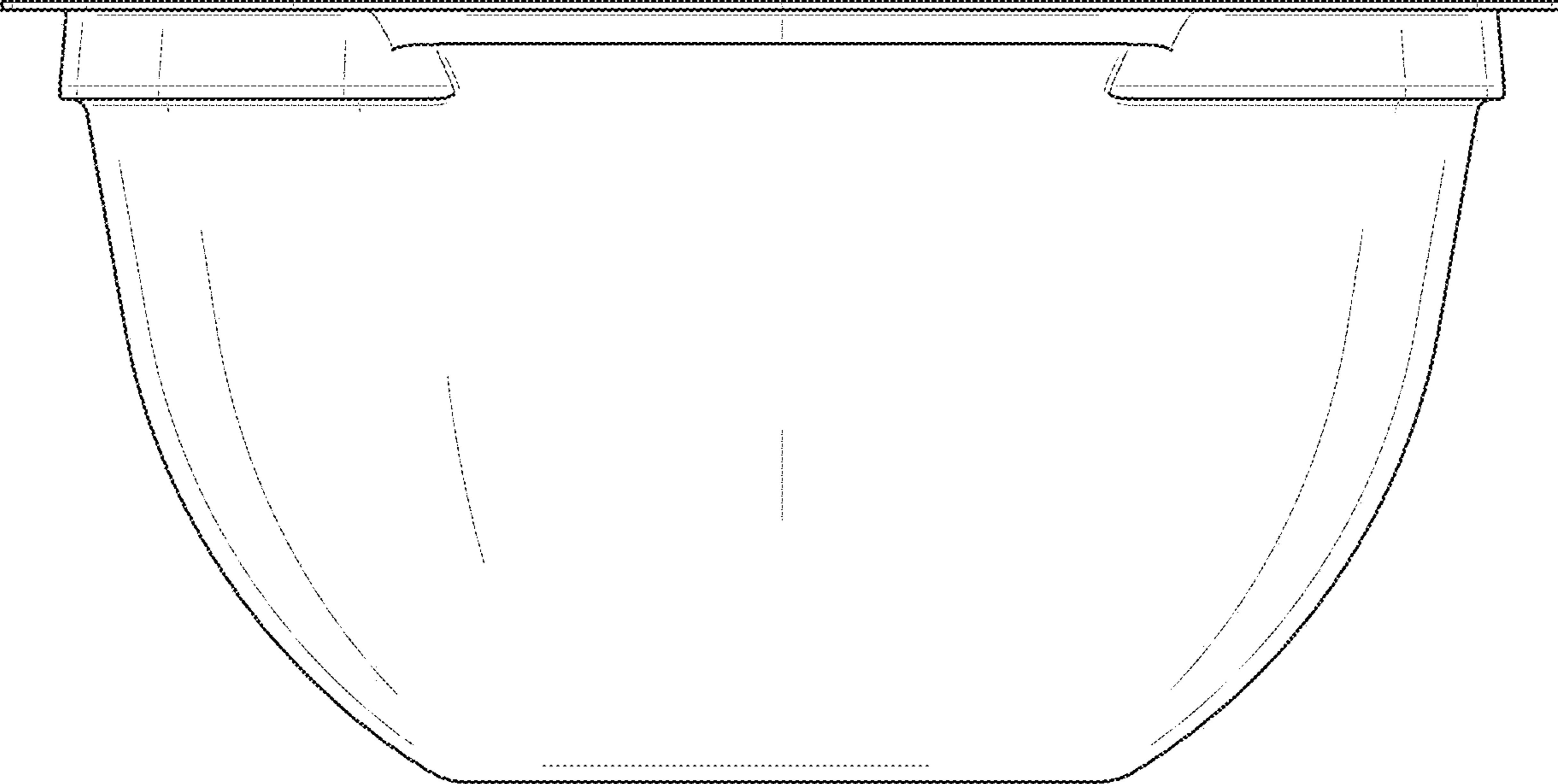


FIG. 9

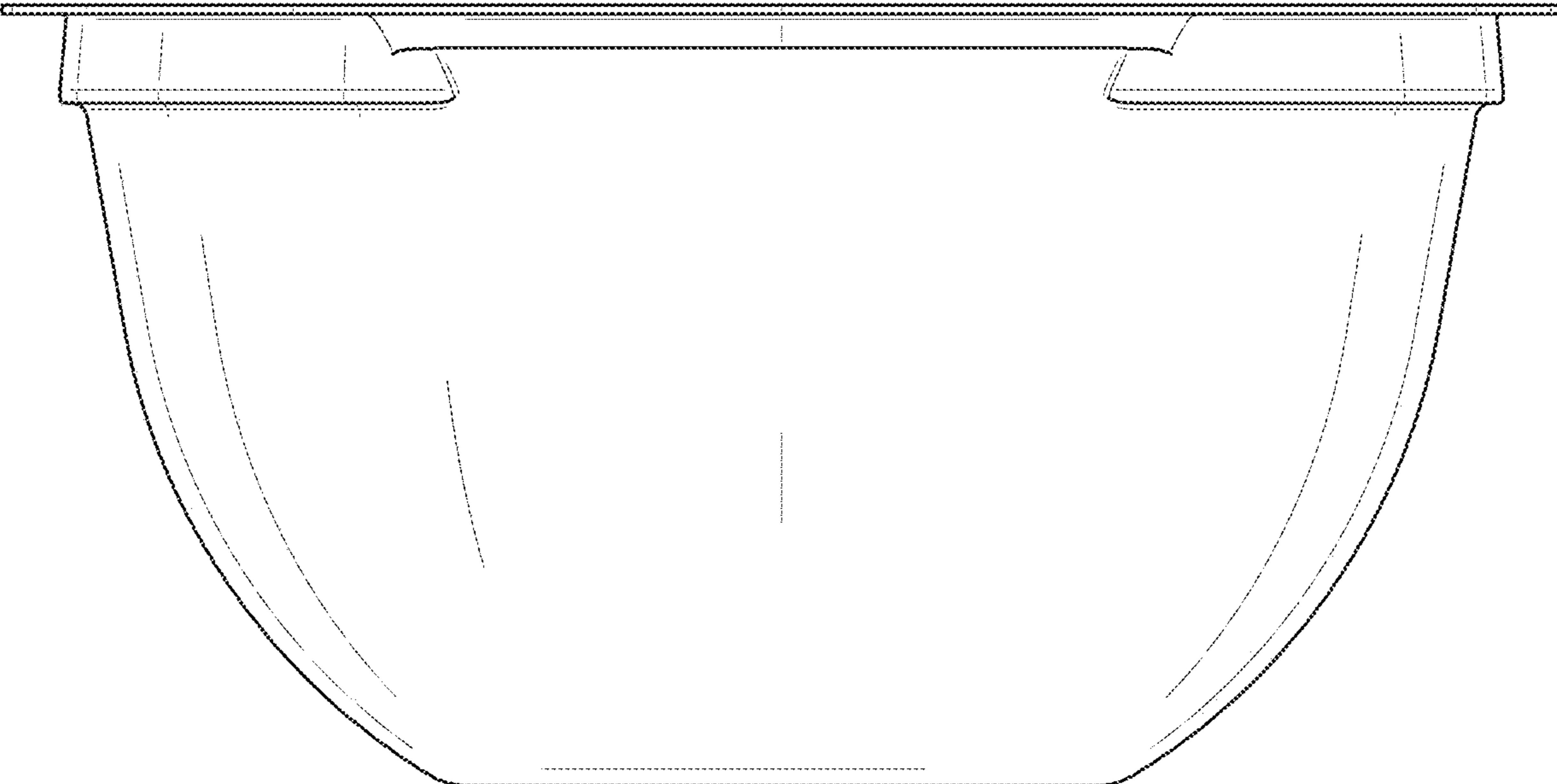
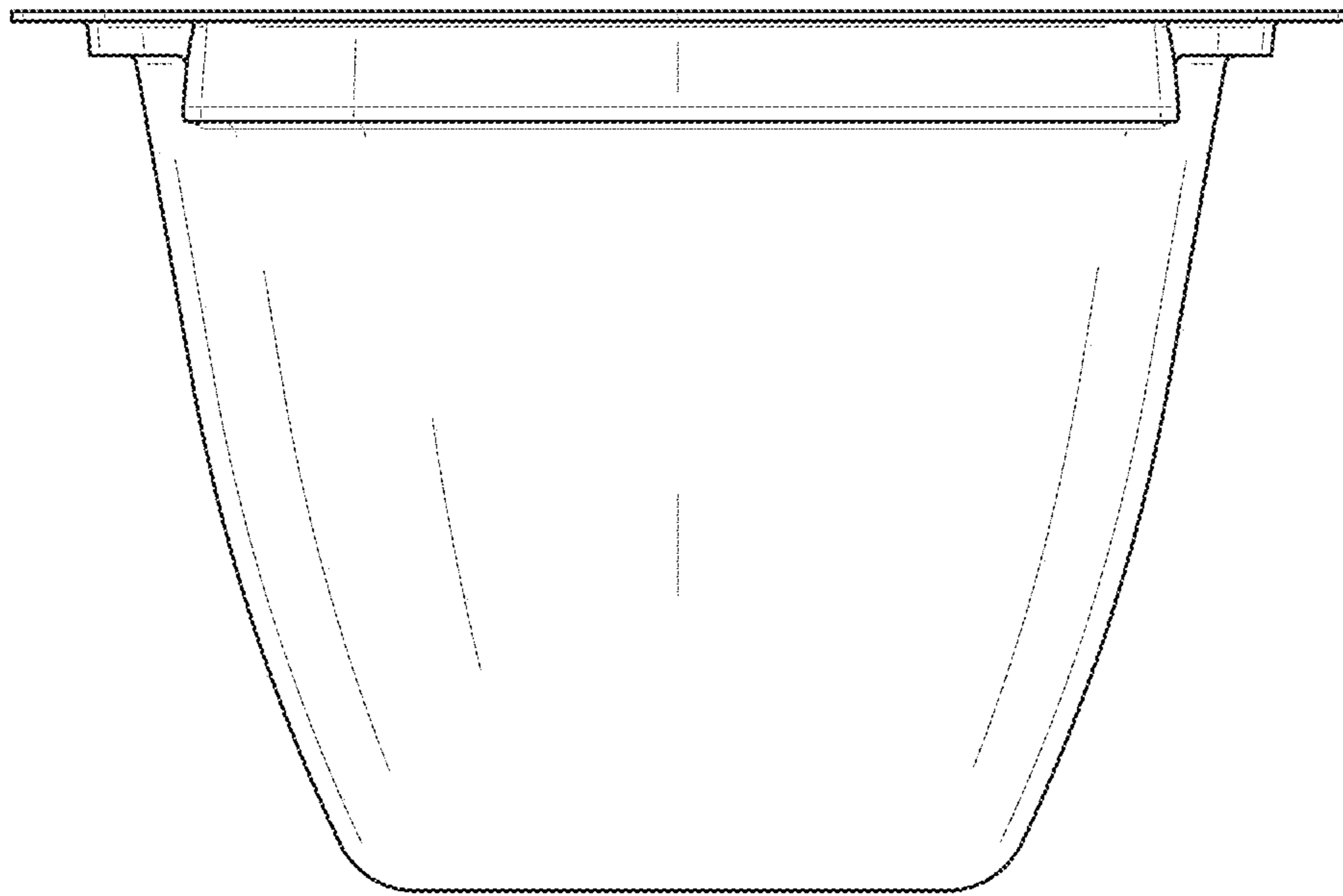
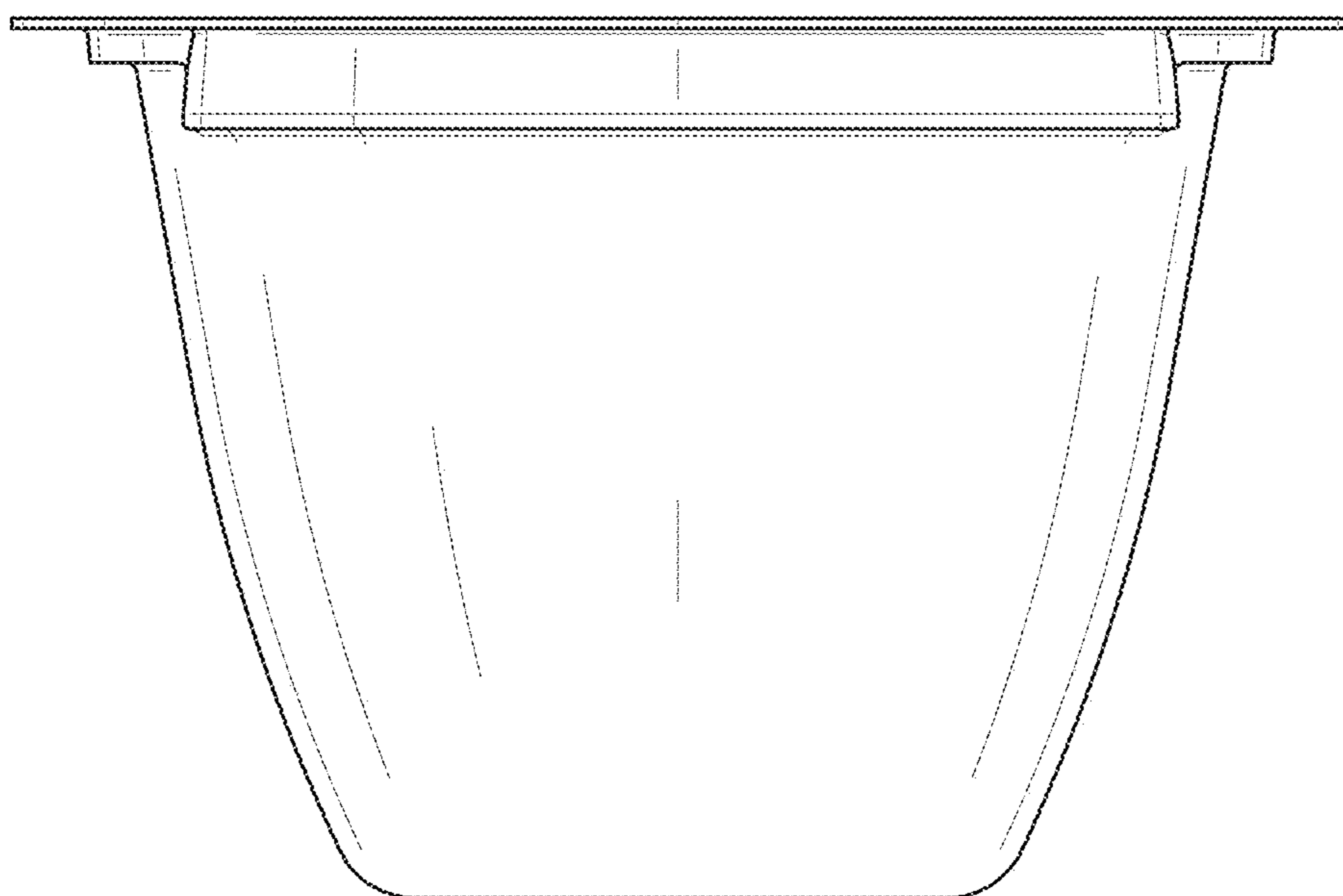


FIG. 10





*FIG. 11*



*FIG. 12*

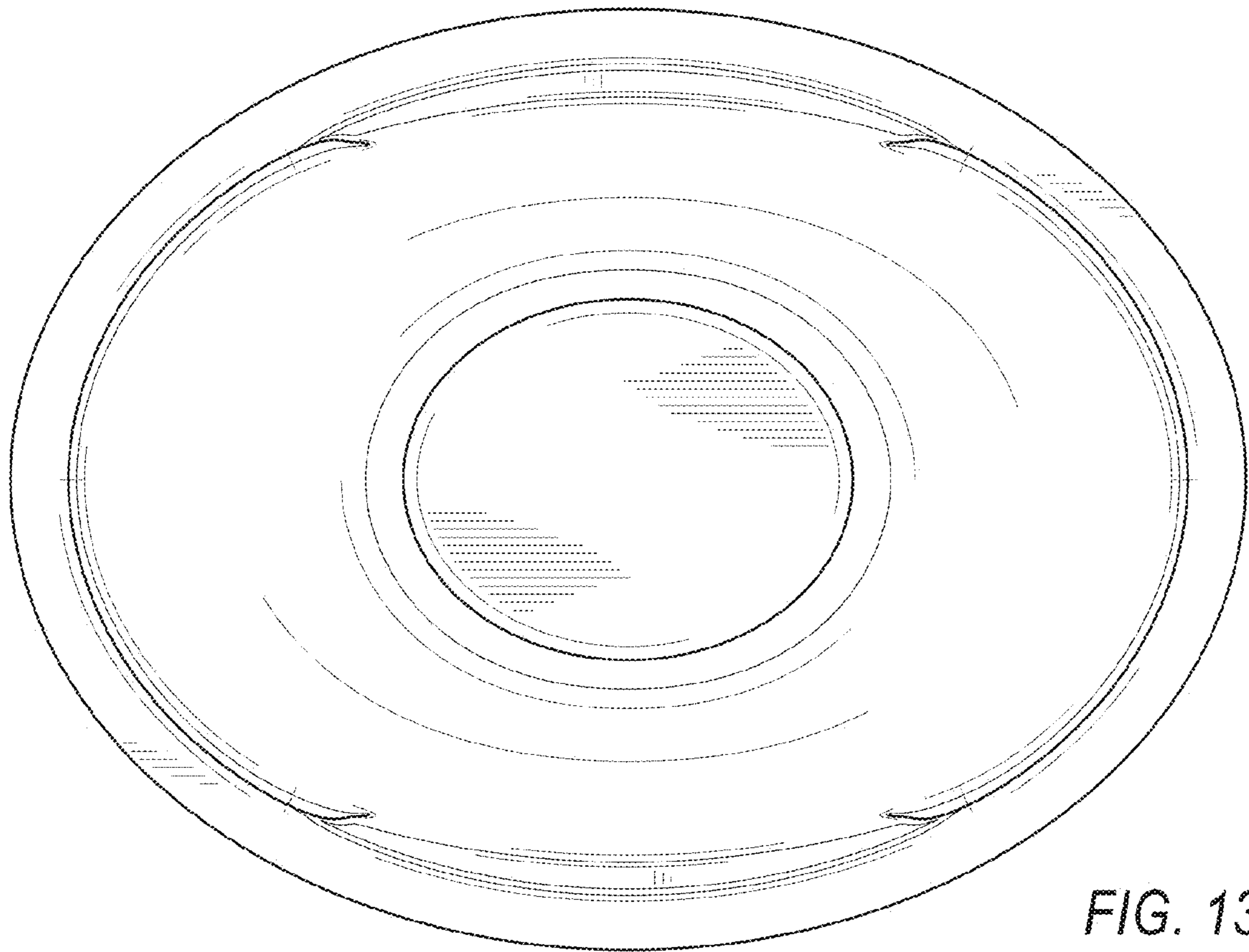


FIG. 13

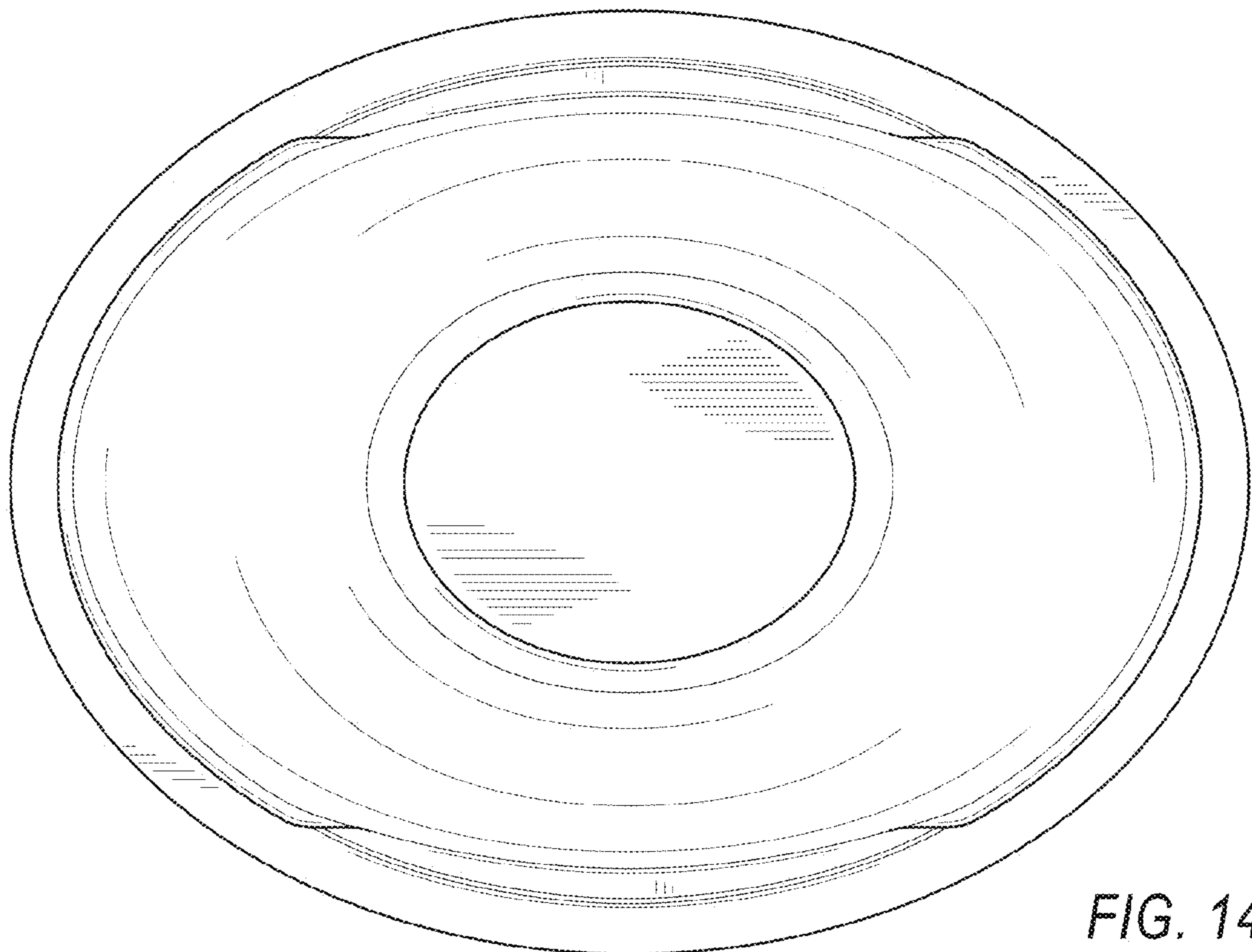


FIG. 14

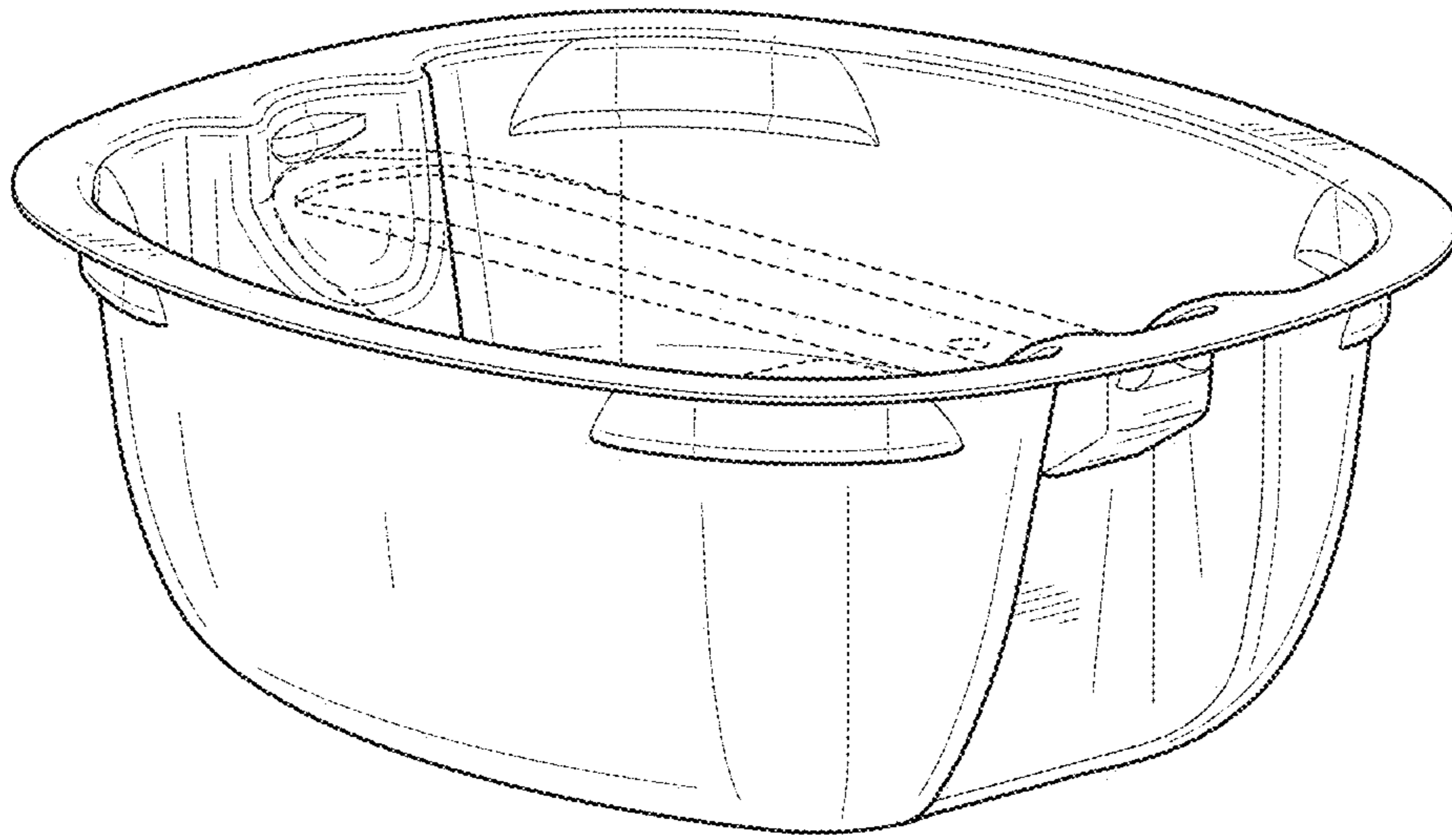


FIG. 15

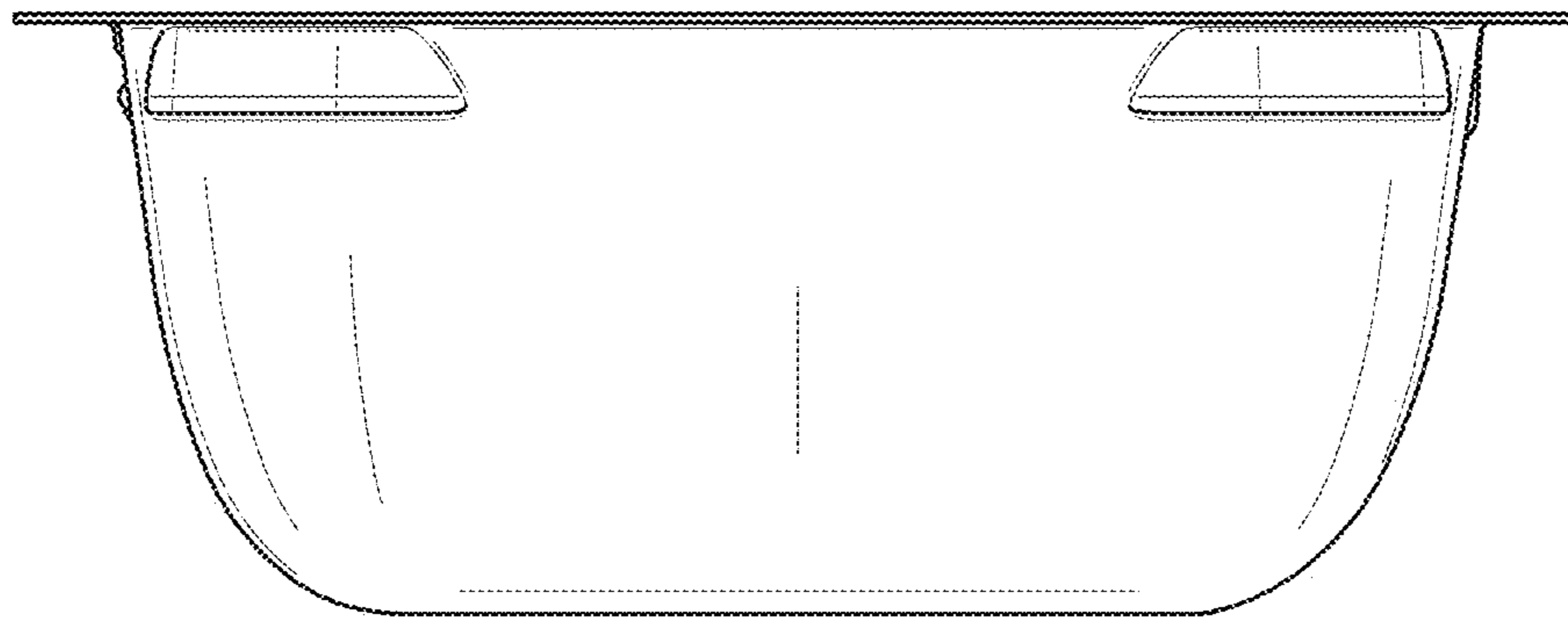


FIG. 16

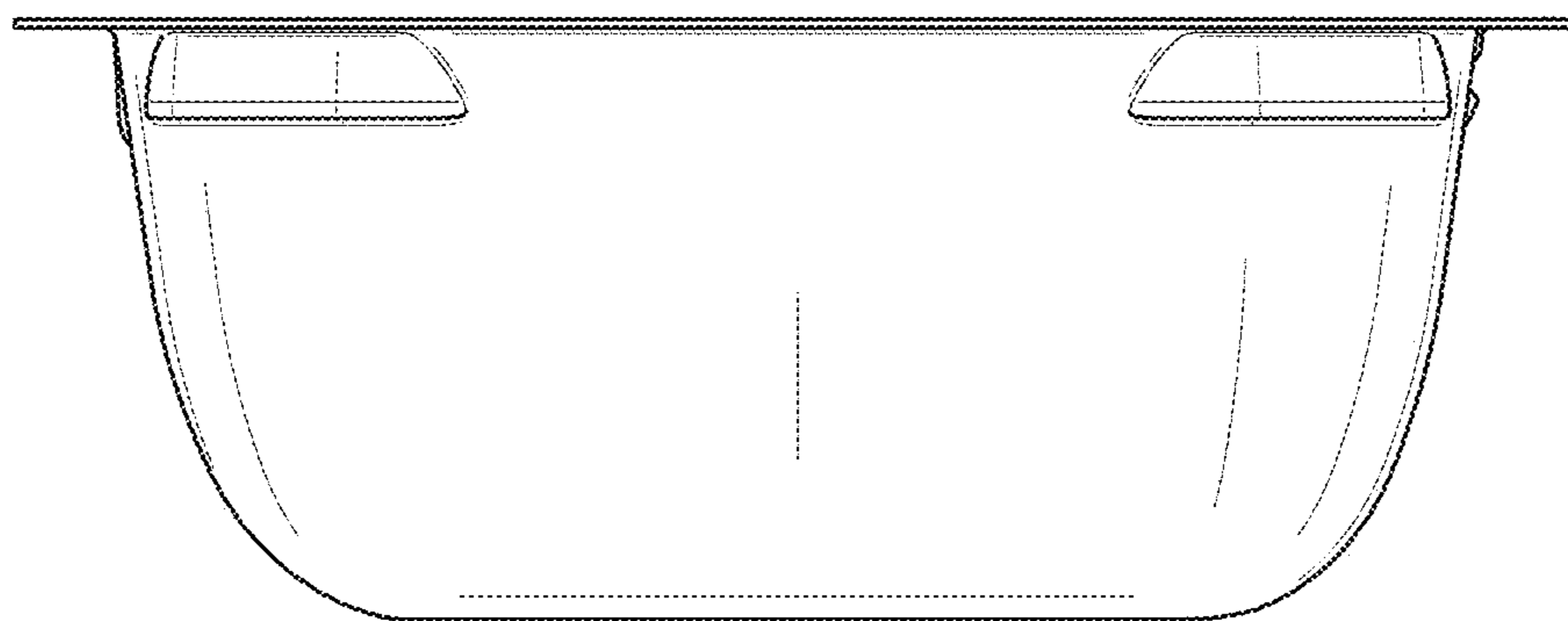


FIG. 17

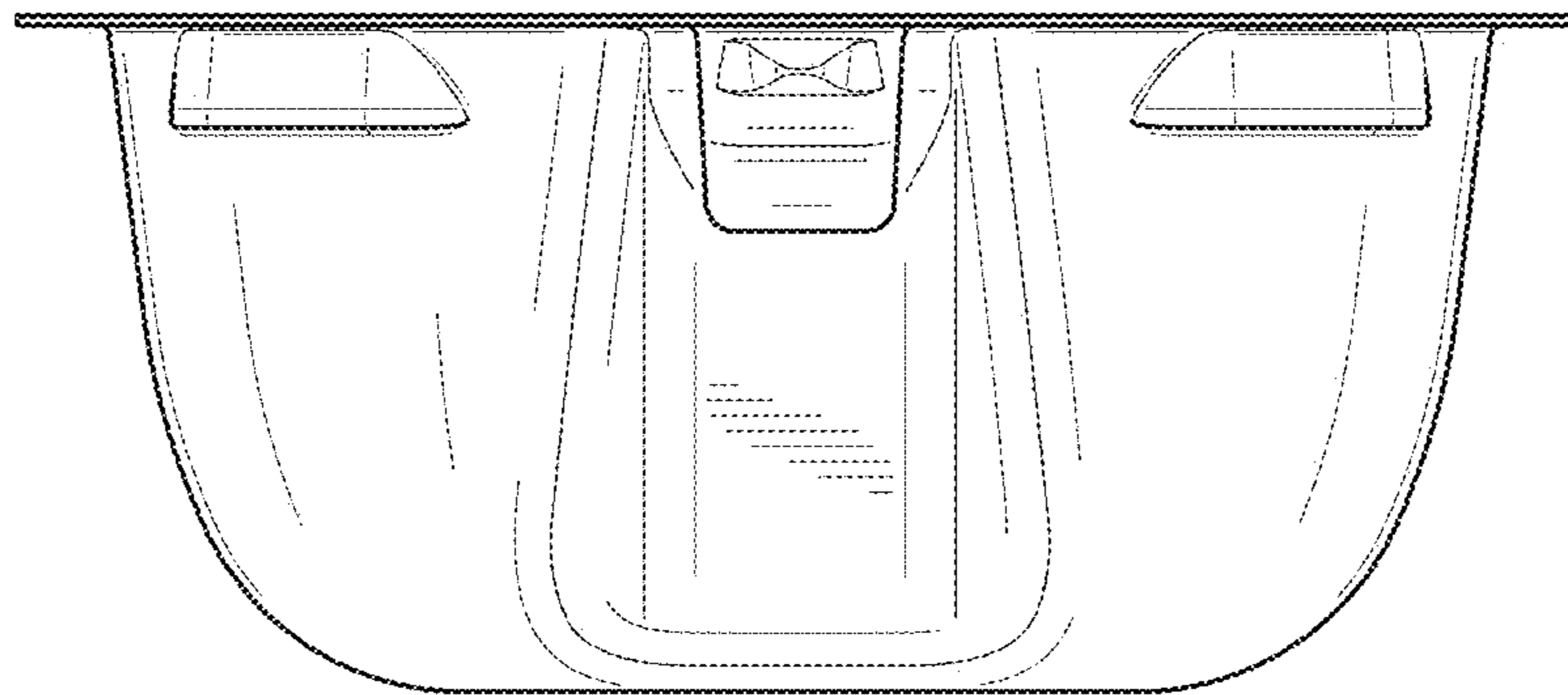


FIG. 18

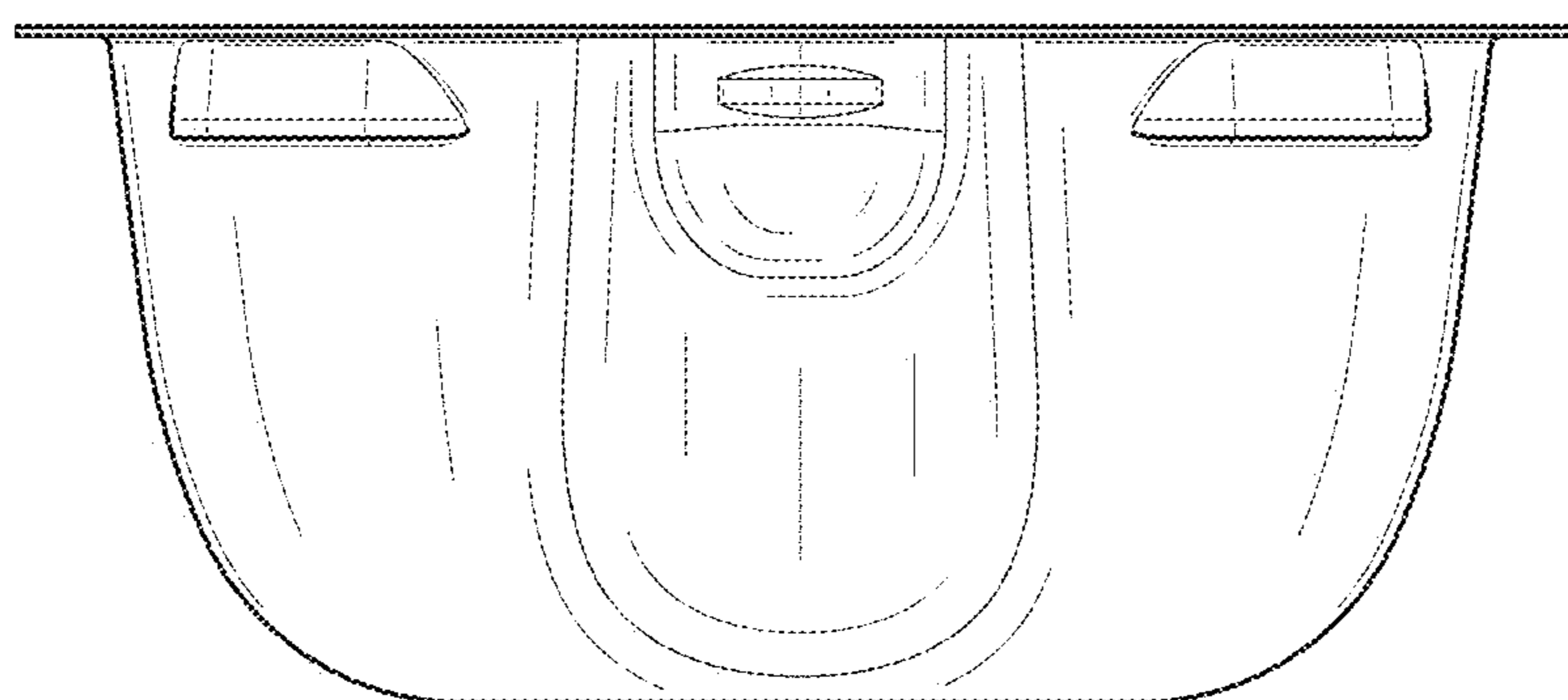


FIG. 19



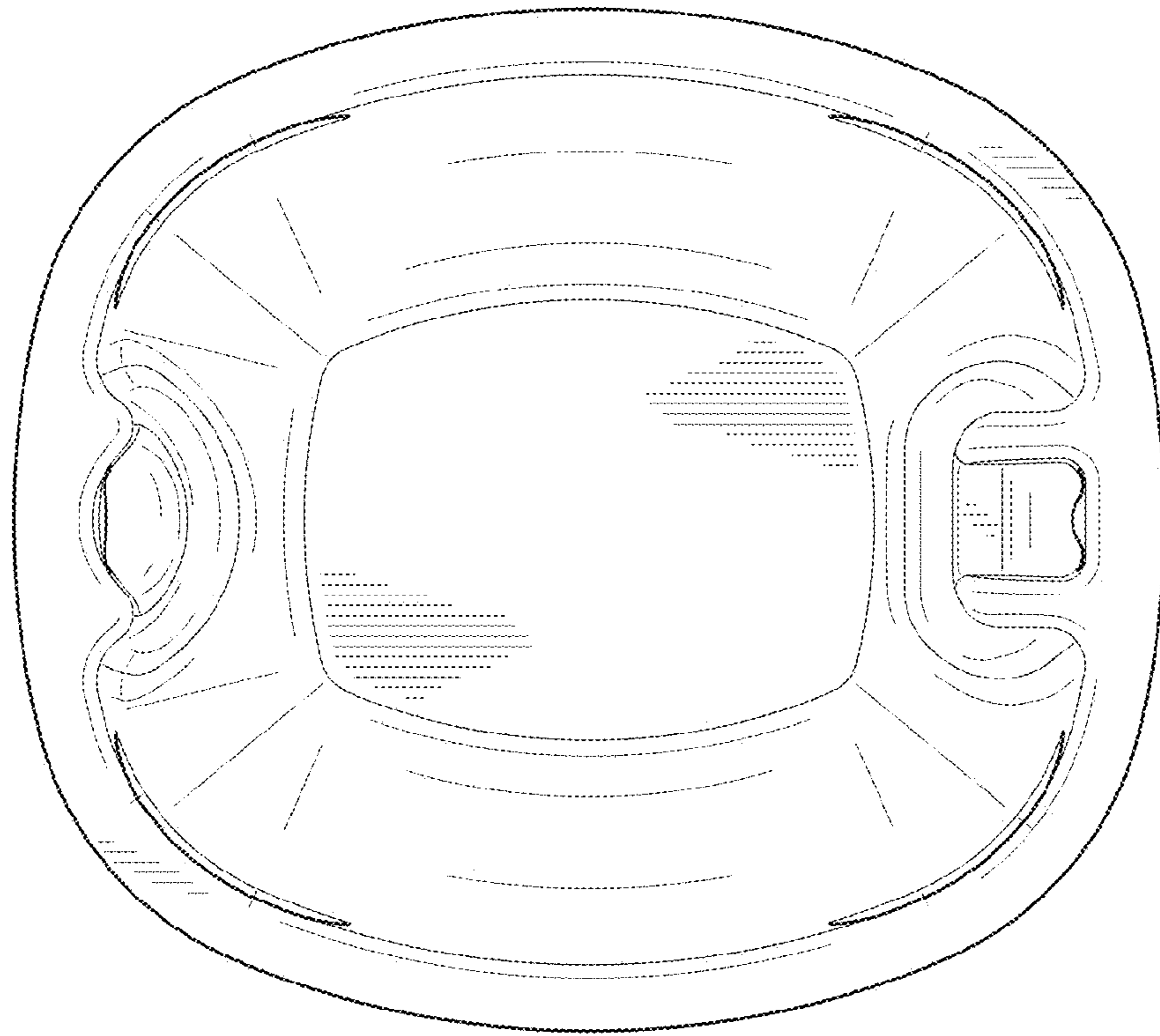


FIG. 20

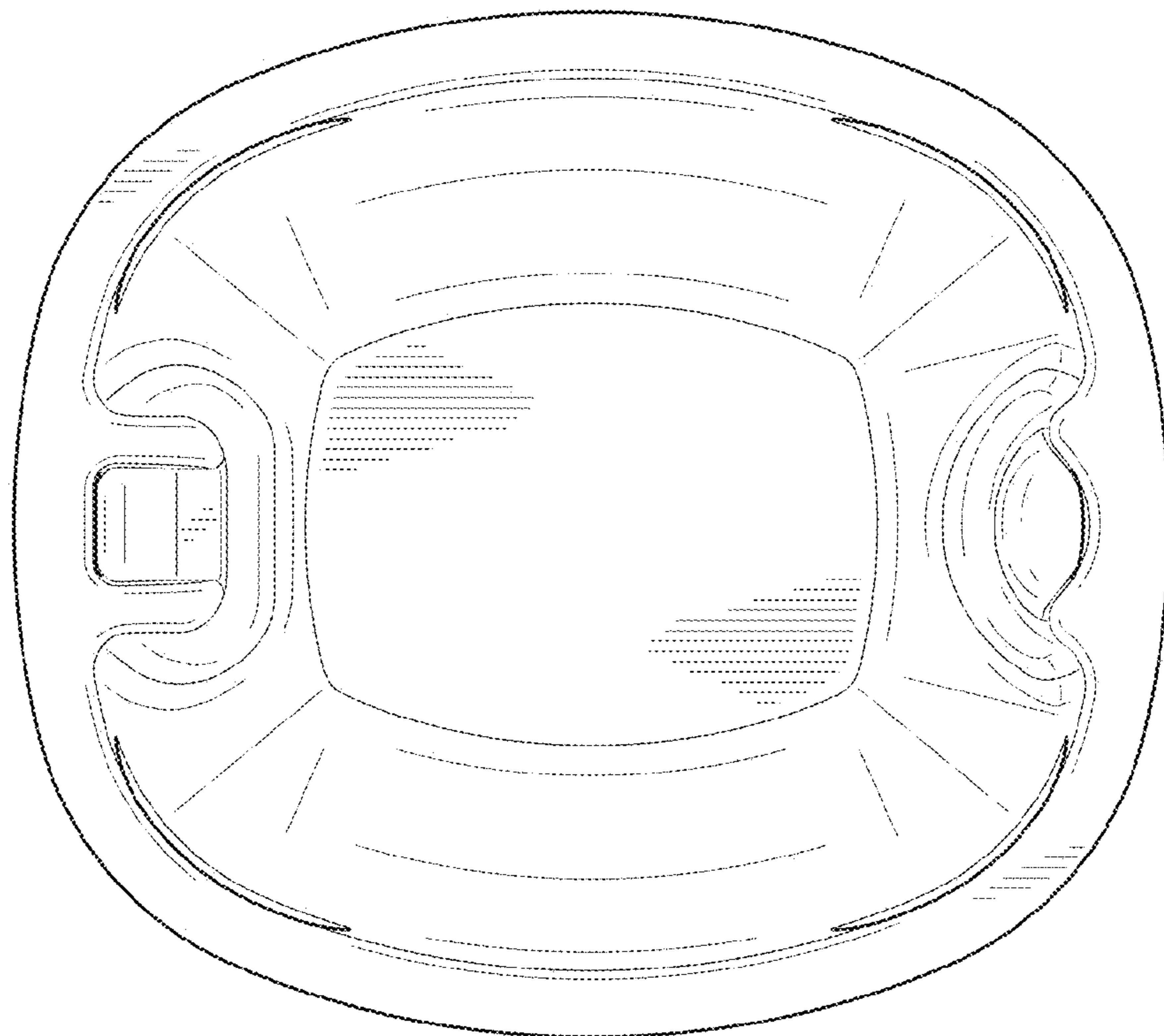


FIG. 21