



US00D894730S

(12) **United States Design Patent** (10) **Patent No.:** **US D894,730 S**
Watson (45) **Date of Patent:** **** Sep. 1, 2020**

(54) **PACKAGING**

(71) Applicant: **RAI STRATEGIC HOLDINGS, INC.,**
Winston-Salem, NC (US)

(72) Inventor: **Nicholas H. Watson,** Westfield, NC
(US)

(73) Assignee: **RAI STRATEGIC HOLDINGS, INC.,**
Winston-Salem, NC (US)

(**) Term: **15 Years**

(21) Appl. No.: **29/661,785**

(22) Filed: **Aug. 30, 2018**

(51) **LOC (12) Cl.** **09-03**

(52) **U.S. Cl.**
USPC **D9/425**

(58) **Field of Classification Search**
USPC D7/400, 601, 608; D9/416, 417, 420,
D9/425-429, 430, 432, 761; 206/499,
(Continued)

(56) **References Cited**

U.S. PATENT DOCUMENTS

2,112,062 A 3/1938 Berger
D240,292 S 6/1976 Beaumont
(Continued)

OTHER PUBLICATIONS

NUCIG LTD, "Looks Real. Tastes Real. Satisfies . . . NUCIG
AdvancedPRO series . . . not just any ordinary electronic cigarette",
<[https://www.nucig.co.uk/Advance-PRO-Spares-Accessories-s/160.
htm](https://www.nucig.co.uk/Advance-PRO-Spares-Accessories-s/160.htm)>, 2008, downloaded Jun. 19, 2018, 4 pages.

(Continued)

Primary Examiner — Janice Patyk

(74) *Attorney, Agent, or Firm* — Foley & Lardner LLP

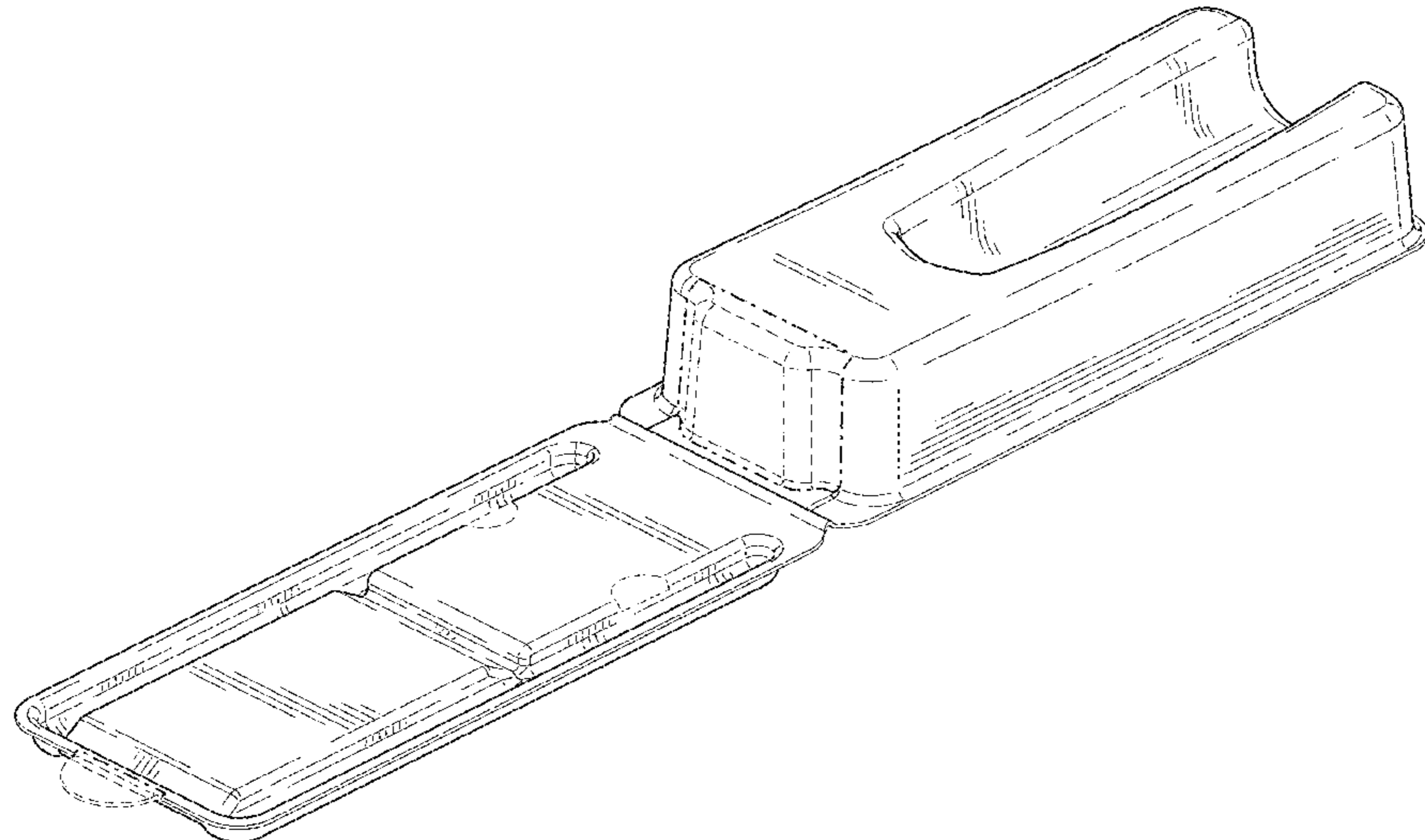
(57) **CLAIM**

I claim the ornamental design for a packaging, as shown and
described.

DESCRIPTION

FIG. 1 is a top perspective view of a packaging, shown in
opened condition, showing my new design;
FIG. 2 is a bottom perspective view thereof, shown in
opened condition;
FIG. 3 is a rear elevation view thereof, shown in opened
condition;
FIG. 4 is a front elevation view thereof, shown in opened
condition;
FIG. 5 is a right side elevation view thereof, shown in
opened condition;
FIG. 6 is a left side elevation view thereof, shown in opened
condition;
FIG. 7 is a top plan view thereof, shown in opened condi-
tion;
FIG. 8 is a bottom plan view thereof, shown in opened
condition;
FIG. 9 is a top perspective view thereof, shown in closed
condition;
FIG. 10 is a bottom perspective view thereof, shown in
closed condition;
FIG. 11 is a rear elevation view thereof, shown in closed
condition;
FIG. 12 is a front elevation view thereof, shown in closed
condition;
FIG. 13 is a right side elevation view thereof, shown in
closed condition;
FIG. 14 is a left side elevation view thereof, shown in closed
condition;
FIG. 15 is a top plan view thereof, shown in closed condi-
tion; and,
FIG. 16 is a bottom plan view thereof, shown in closed
condition.
The broken lines in the drawings illustrate the portions of the
design that form no part of the claimed design. The dot-dash
broken lines immediately adjacent to the claimed areas in
the views represent the boundaries of the design and form no
part thereof. None of the broken lines form any part of the
claimed design.

1 Claim, 10 Drawing Sheets



(58) **Field of Classification Search**
 USPC 206/501, 502, 821; 220/625, 656, 669,
 220/670, 674; 229/123.1, 123.2, 125.33,
 229/125.35, 400-407, 915, 939
 CPC . B65D 1/26; B65D 1/40; B65D 5/243; B65D
 81/3453; B65D 2581/34; B65D
 2581/3404; B65D 2581/3456
 See application file for complete search history.

(56) **References Cited**

U.S. PATENT DOCUMENTS

4,618,090	A	10/1986	Cortellucci	
D398,527	S	9/1998	MacEachern et al.	
D411,448	S *	6/1999	Baker	D9/415
D420,586	S	2/2000	MacEachern et al.	
D428,331	S *	7/2000	MacTavish	D9/415
6,095,408	A	8/2000	Nguyen	
D447,687	S	9/2001	Roby	
D485,492	S	1/2004	Hoffman et al.	
D503,336	S *	3/2005	Tucker	D9/423
D531,798	S *	11/2006	Ringo	D3/273
D531,894	S *	11/2006	Ramirez	D9/423
D590,708	S	4/2009	Maguire et al.	
D592,968	S	5/2009	Lee et al.	
D598,740	S *	8/2009	Auer	D9/424
D606,392	S *	12/2009	Prevost	D9/415
D607,319	S	1/2010	Collins	
D624,403	S *	9/2010	Hansen	D9/426
D631,337	S *	1/2011	Prevost	D9/421
D673,036	S *	12/2012	Wolf	D9/420
D694,616	S *	12/2013	Prevost	D9/420

D697,401	S	1/2014	Kidd et al.	
D730,728	S	6/2015	Fath	
D748,498	S	2/2016	Pipes et al.	
D756,223	S	5/2016	Pipes et al.	
9,399,545	B2	7/2016	Ha et al.	
D804,943	S	12/2017	Richmond	
D805,398	S	12/2017	Torchin et al.	
D805,891	S	12/2017	Bard et al.	
D805,892	S	12/2017	Bard et al.	
D806,532	S	1/2018	Richmond	
D815,519	S *	4/2018	Geheran	D9/423
D826,714	S	8/2018	Pipes et al.	
2011/0062175	A1	3/2011	Nakamura et al.	
2011/0198348	A1	8/2011	Marbe et al.	
2012/0261285	A1	10/2012	Holloway et al.	
2012/0261286	A1	10/2012	Holloway et al.	
2014/0262871	A1	9/2014	Fath	
2017/0113865	A1	4/2017	Swede et al.	
2017/0259954	A1	9/2017	Schwester	
2017/0291757	A1	10/2017	Sebastian et al.	
2017/0325500	A1	11/2017	Senfleben et al.	
2017/0327291	A1	11/2017	Senfleben et al.	
2018/0007956	A1	1/2018	Iwata	

OTHER PUBLICATIONS

TechVitaminsTV, "E-Cigarettes: how it works (blu Premium E-Cig Social Kit review) Must See!!", <<https://www.youtube.com/watch?v=mFAYxw6csjg>>, Mar. 14, 2012.
 Notice of Allowance in U.S. Appl. No. 29/660,324, dated Aug. 2, 2019, 7 pages.

* cited by examiner

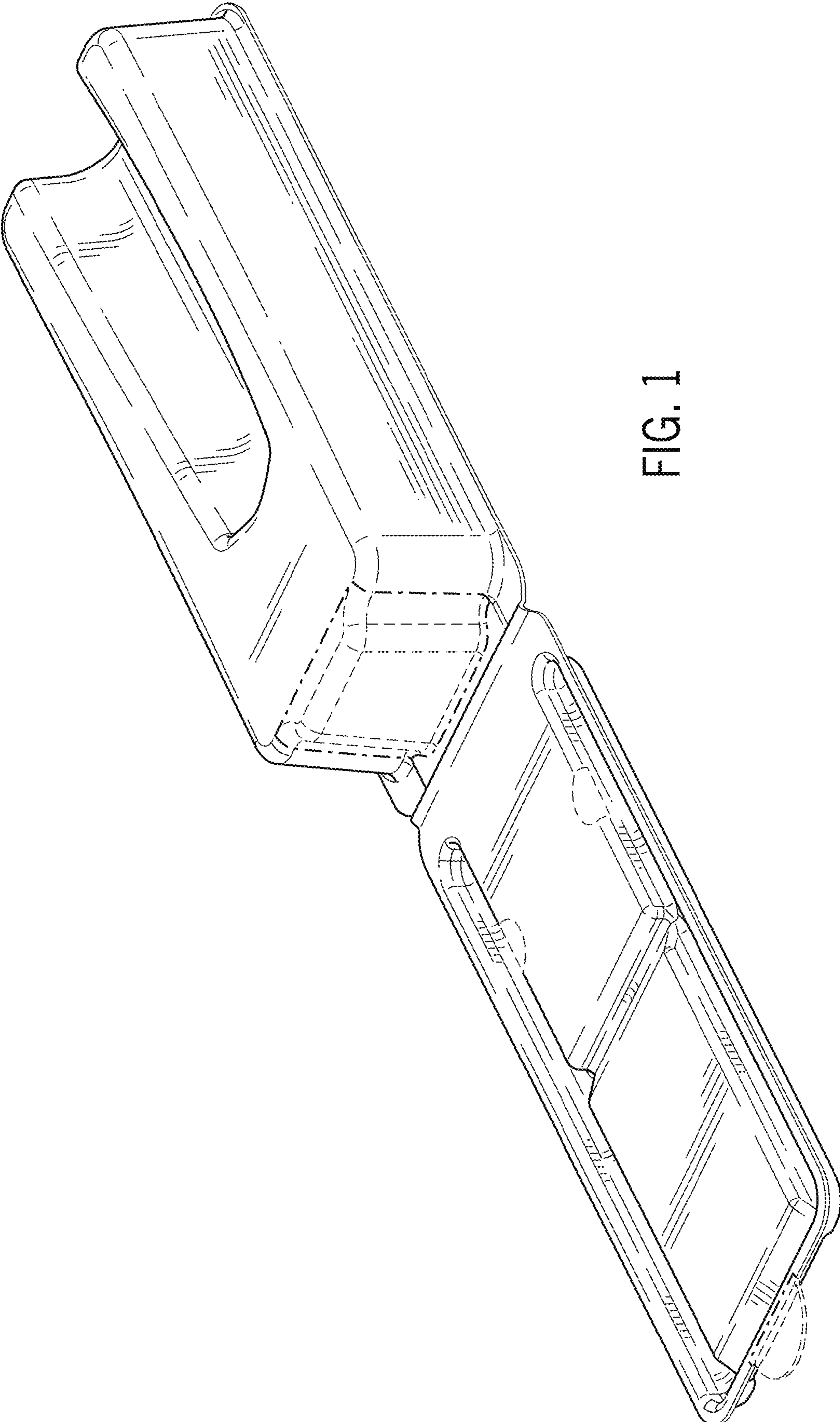


FIG. 1

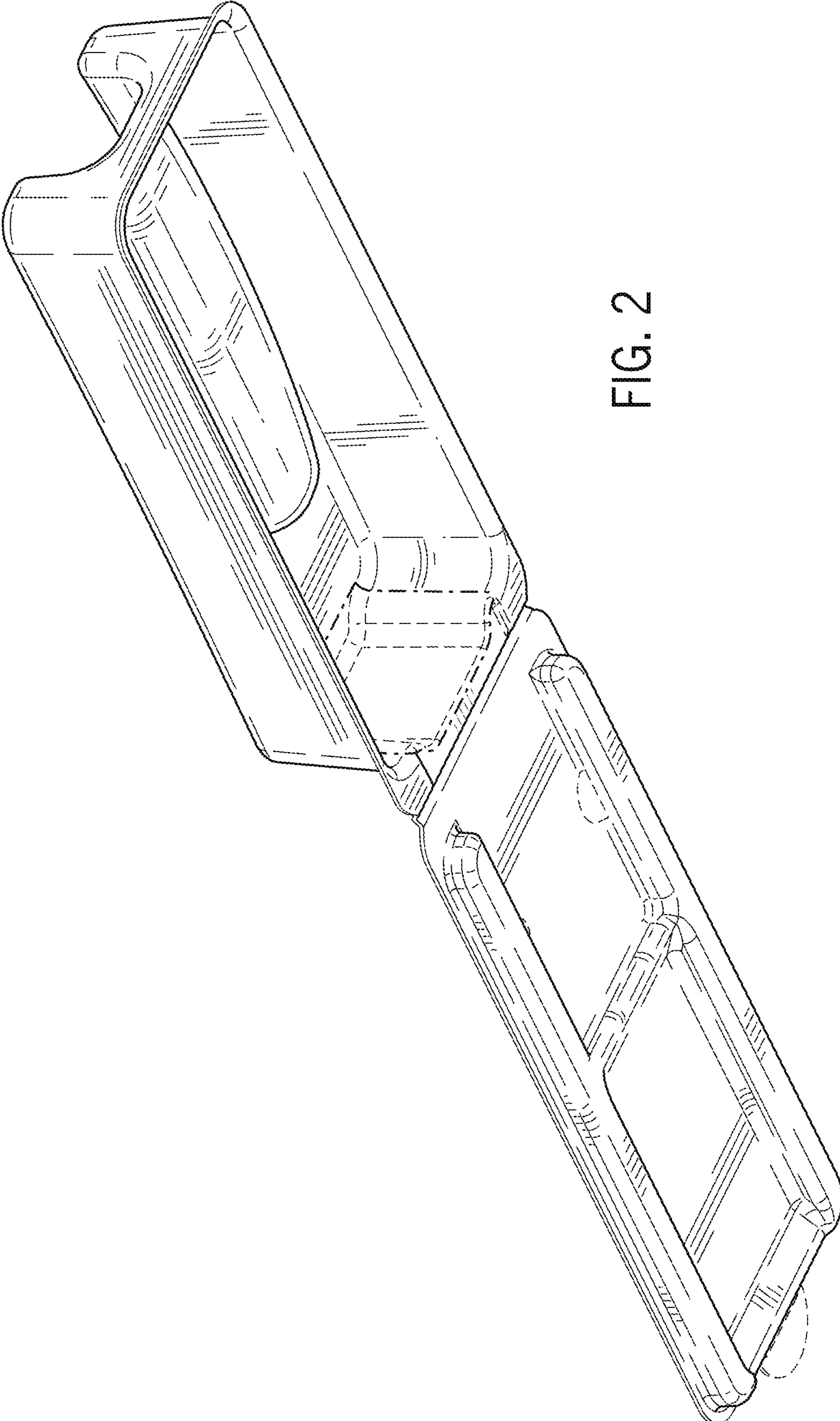


FIG. 2

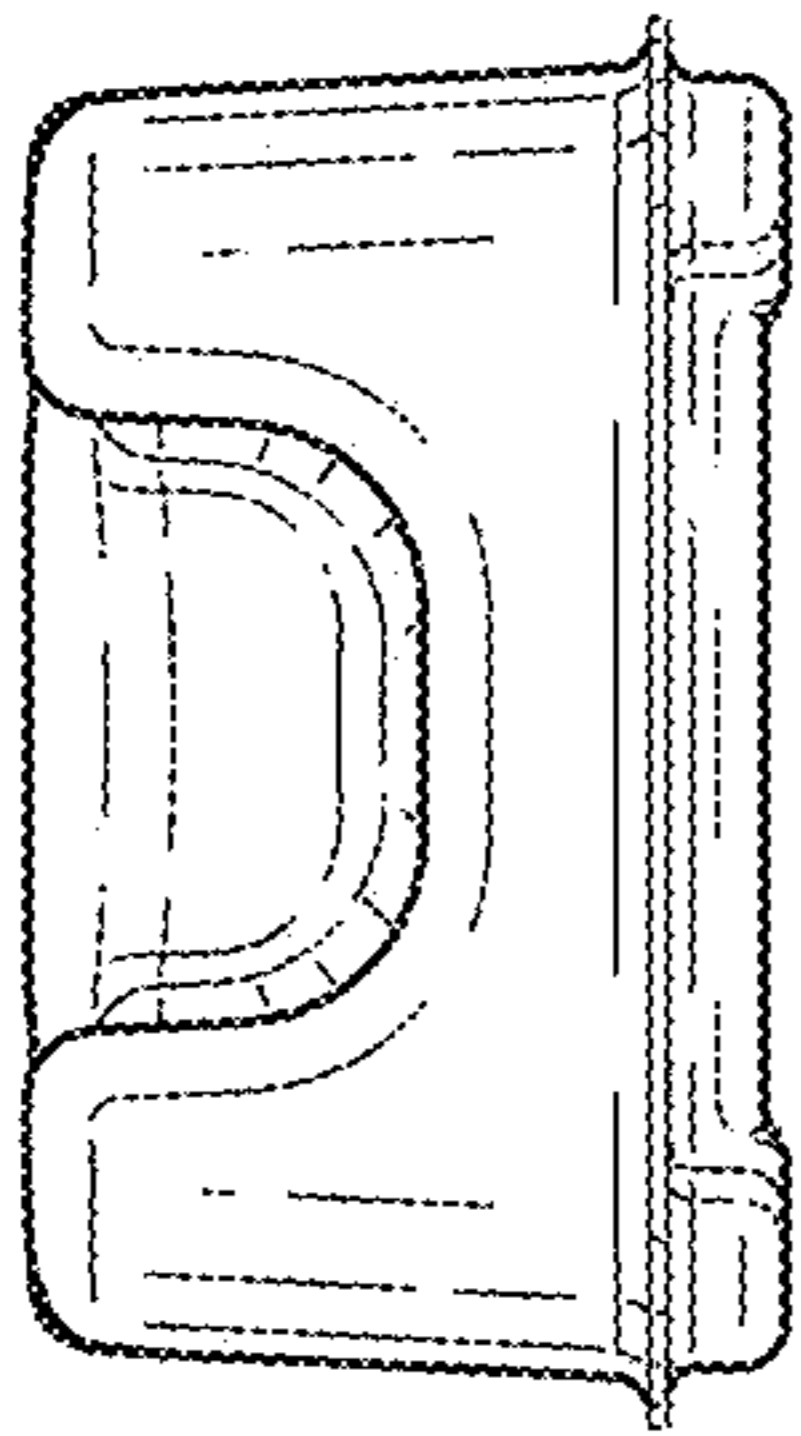


FIG. 3

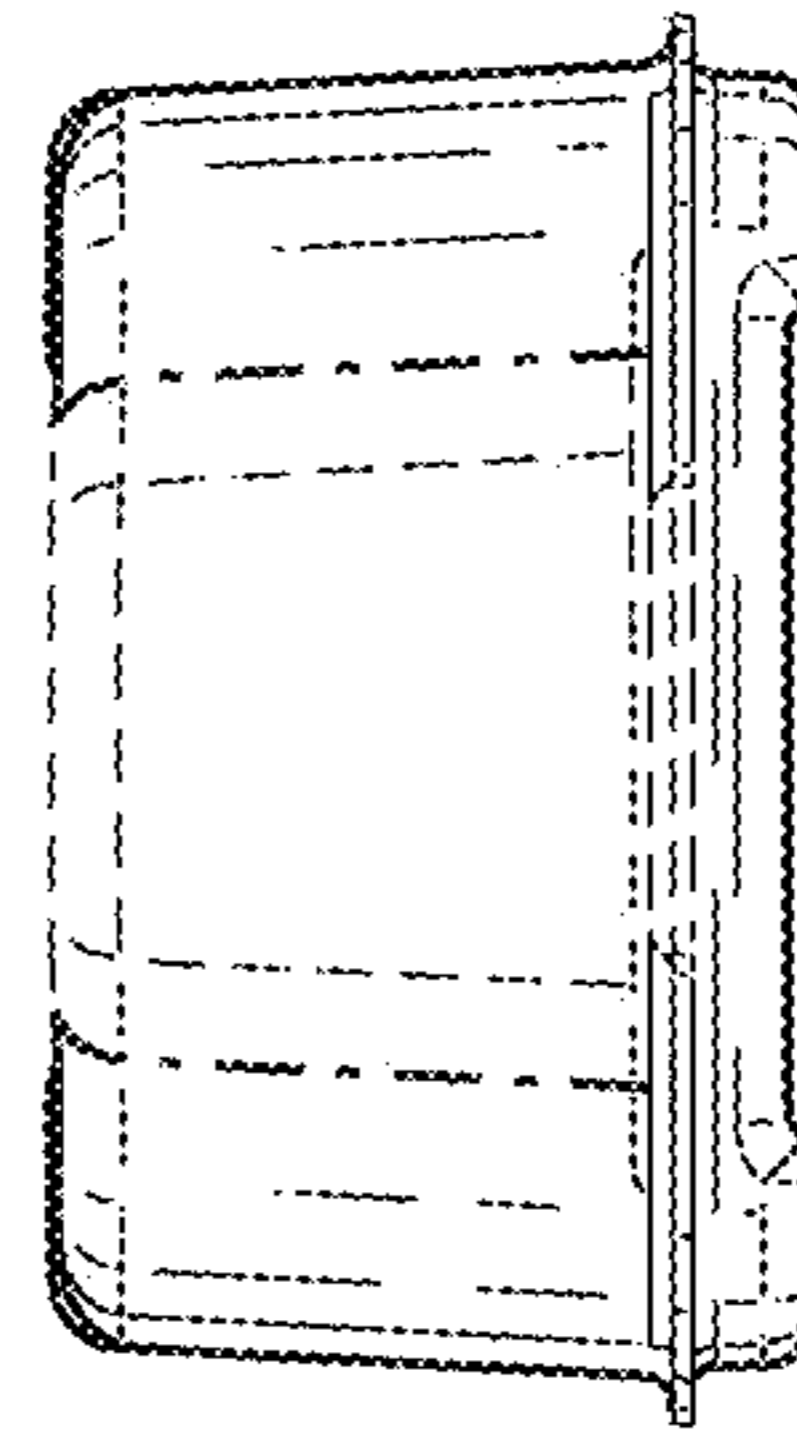


FIG. 4

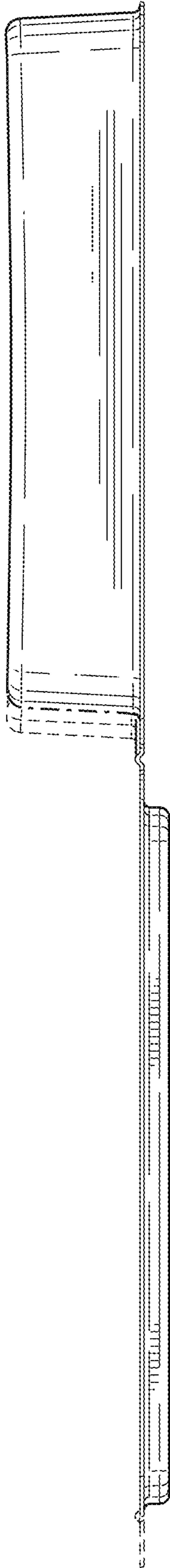


FIG. 5

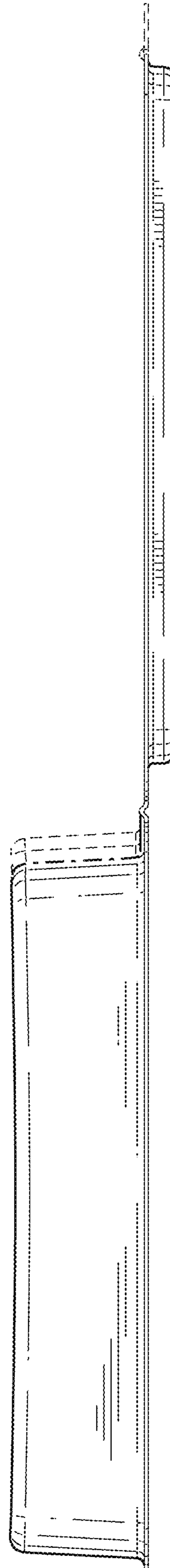


FIG. 6

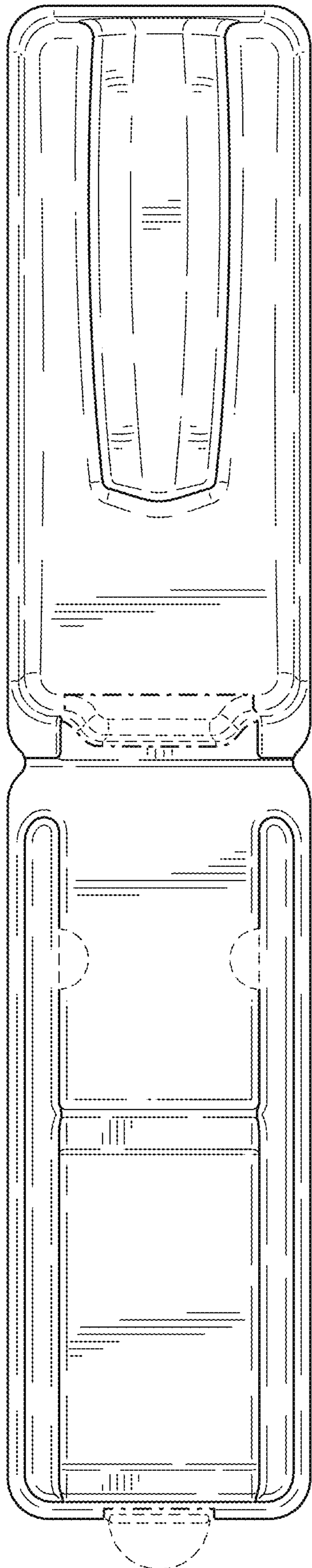


FIG. 7

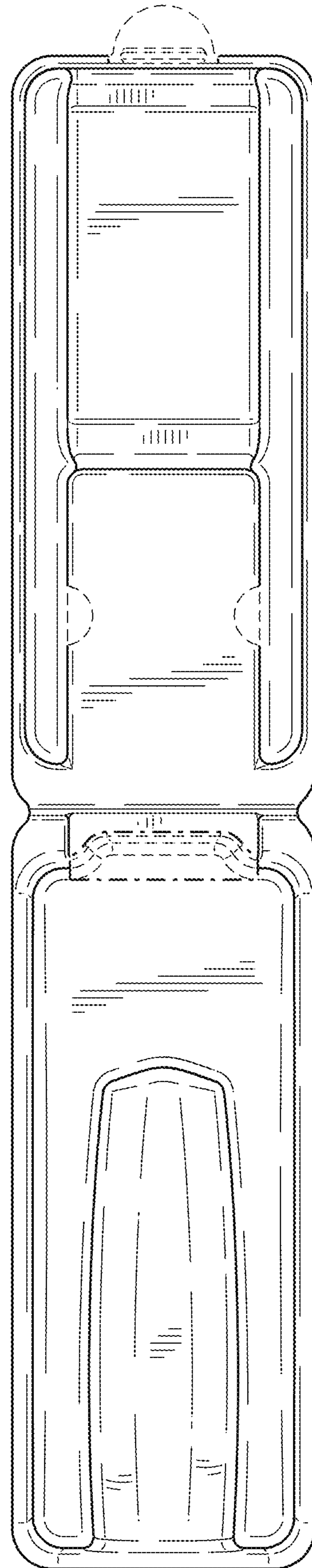


FIG. 8

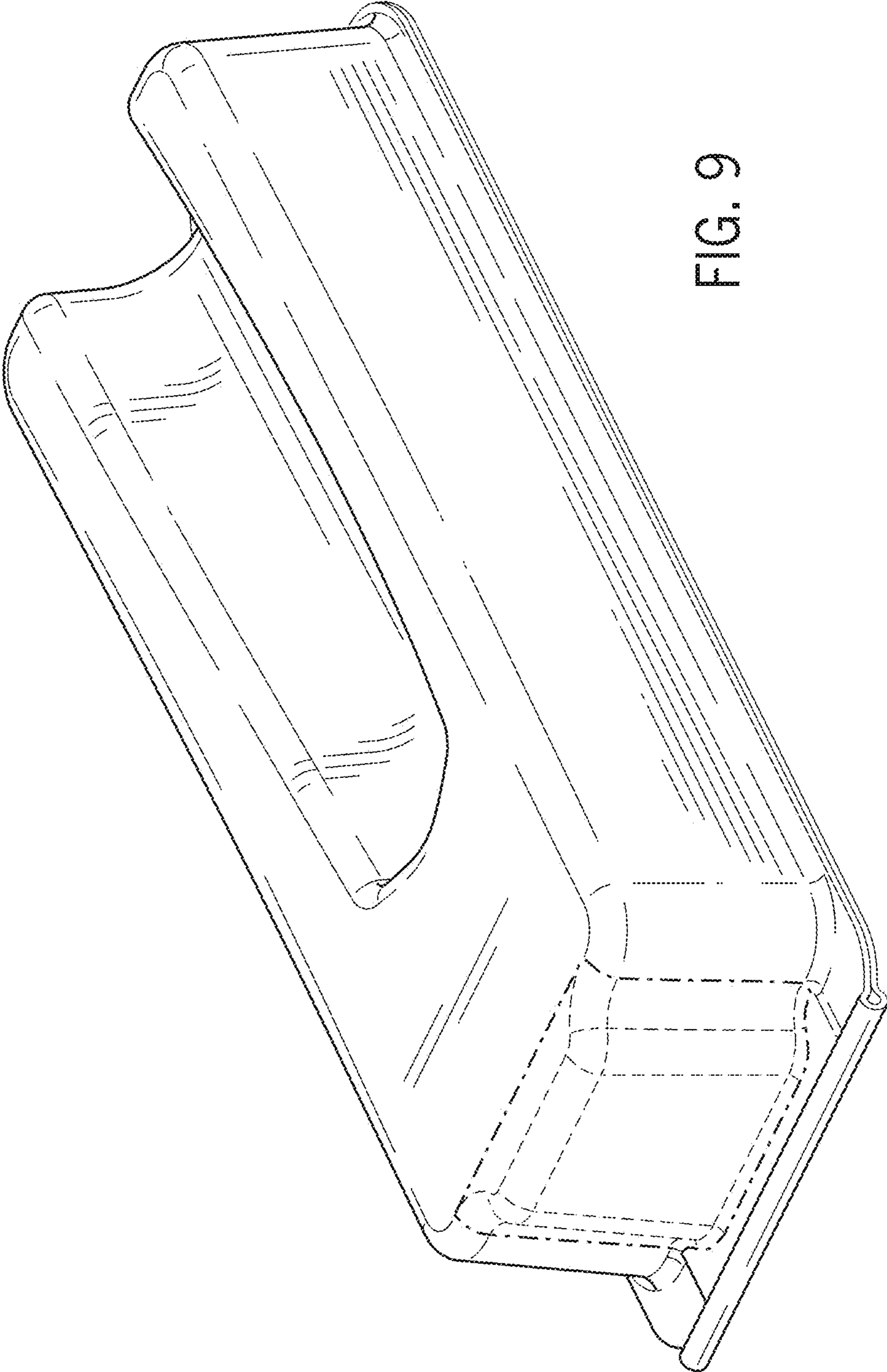


FIG. 9

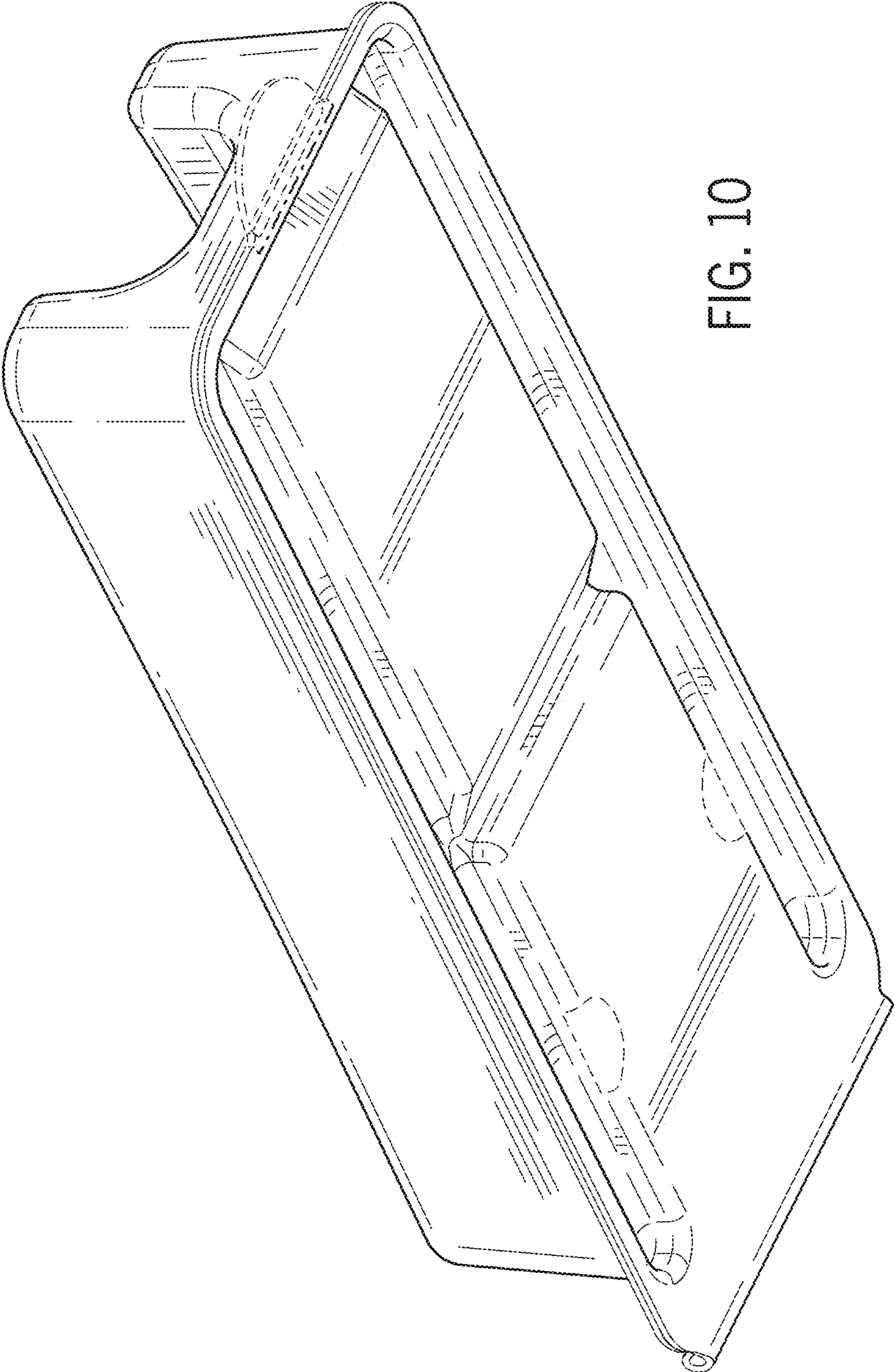


FIG. 10

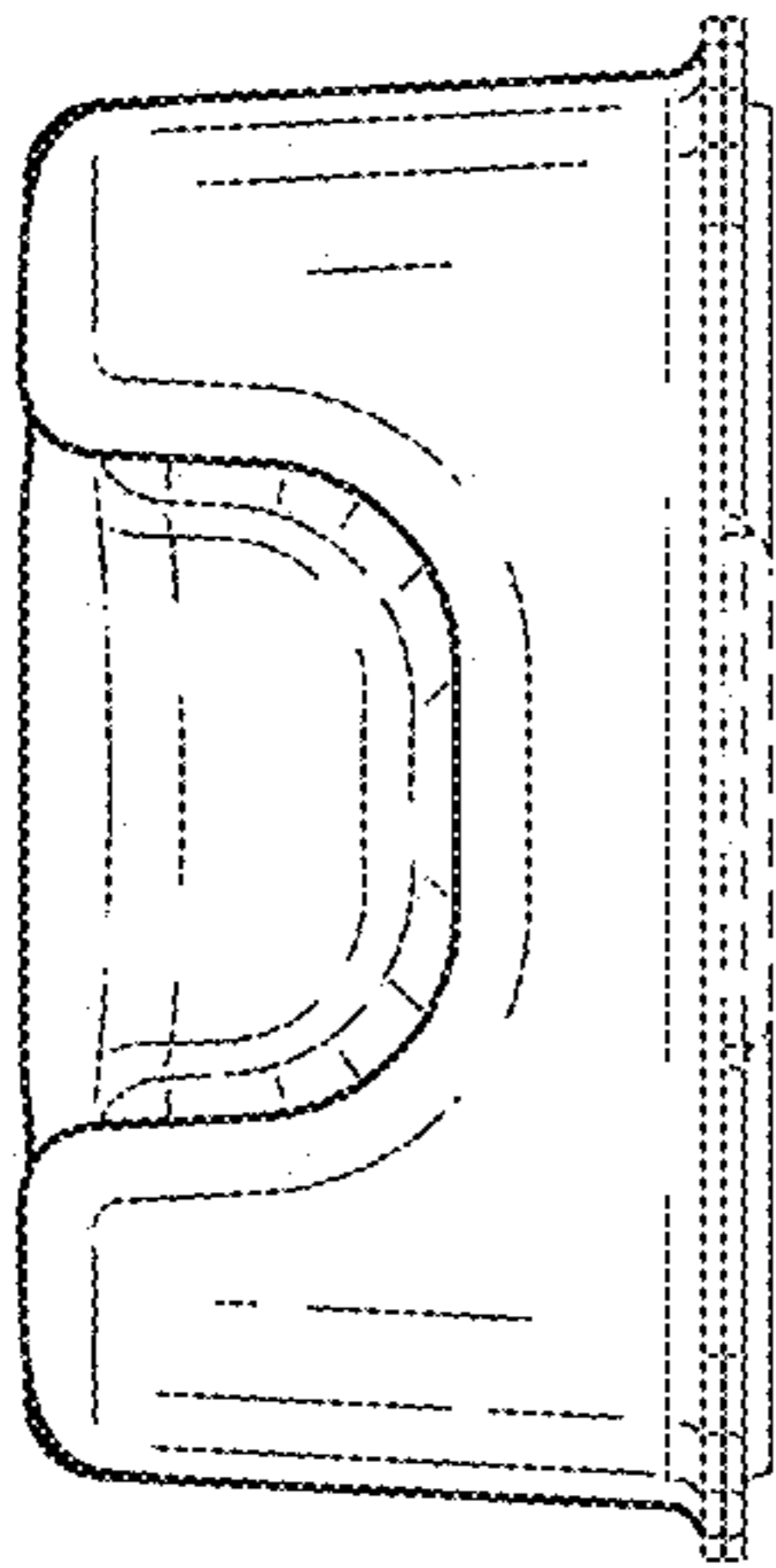


FIG. 11

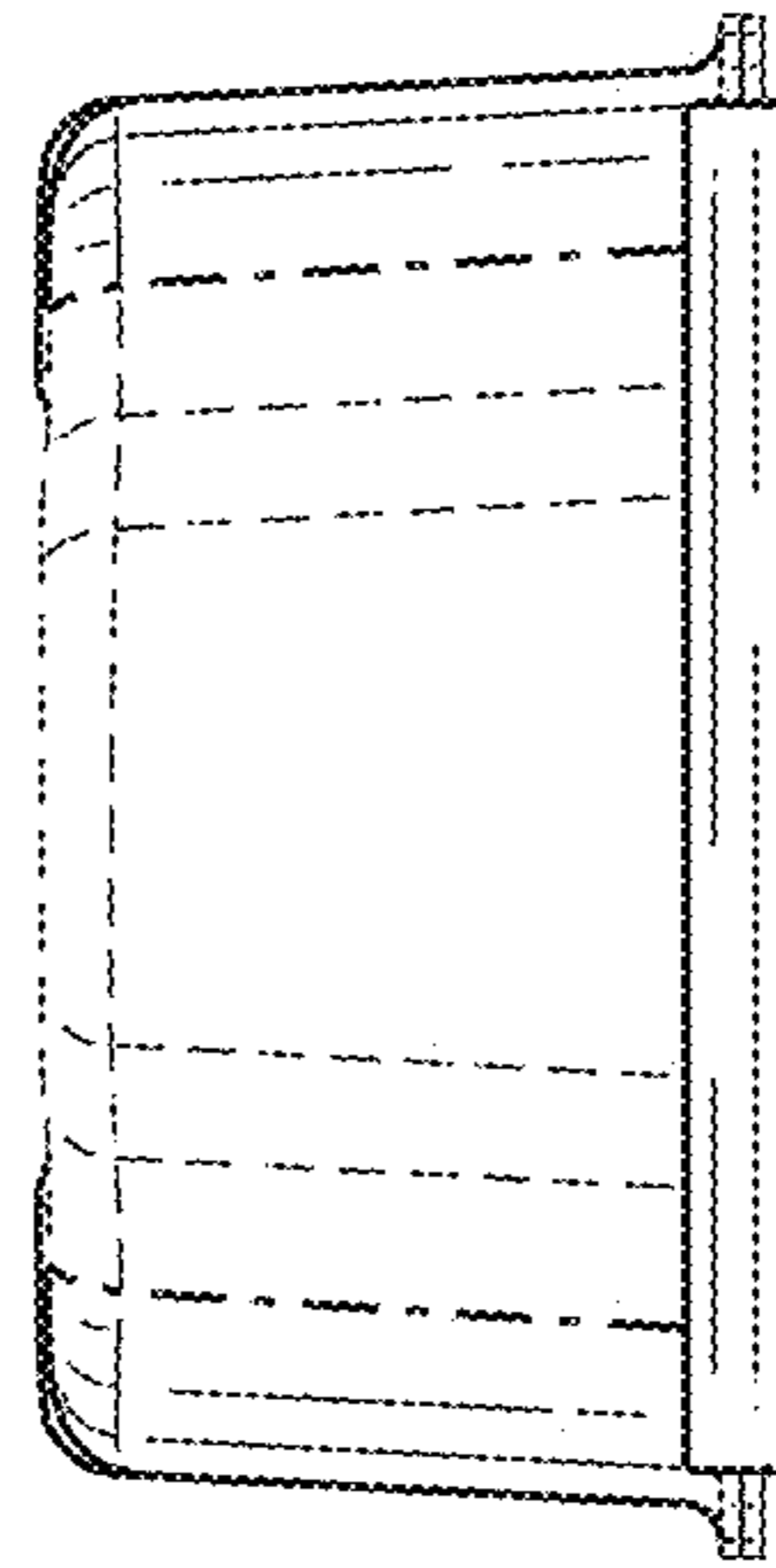


FIG. 12

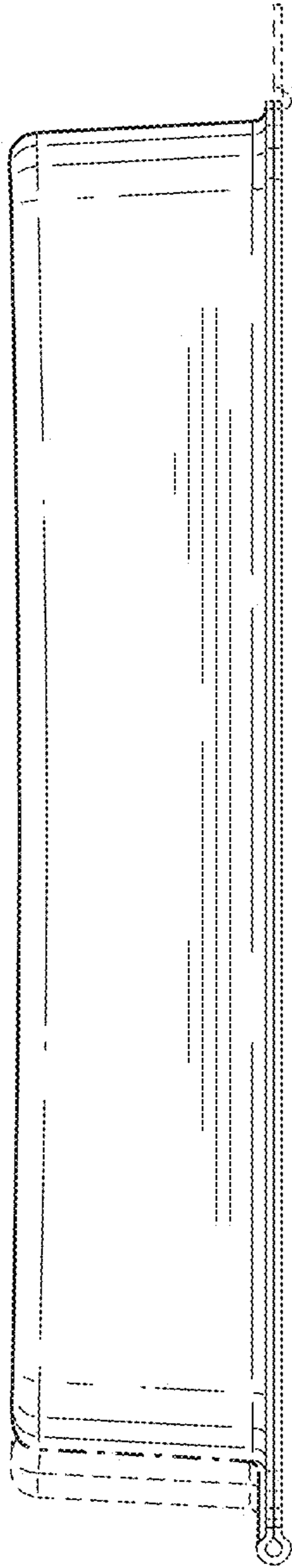


FIG. 13

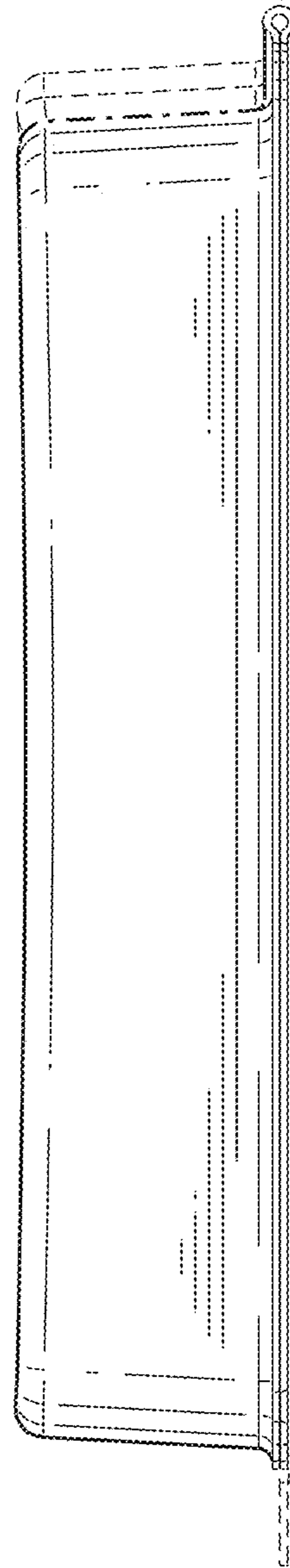


FIG. 14

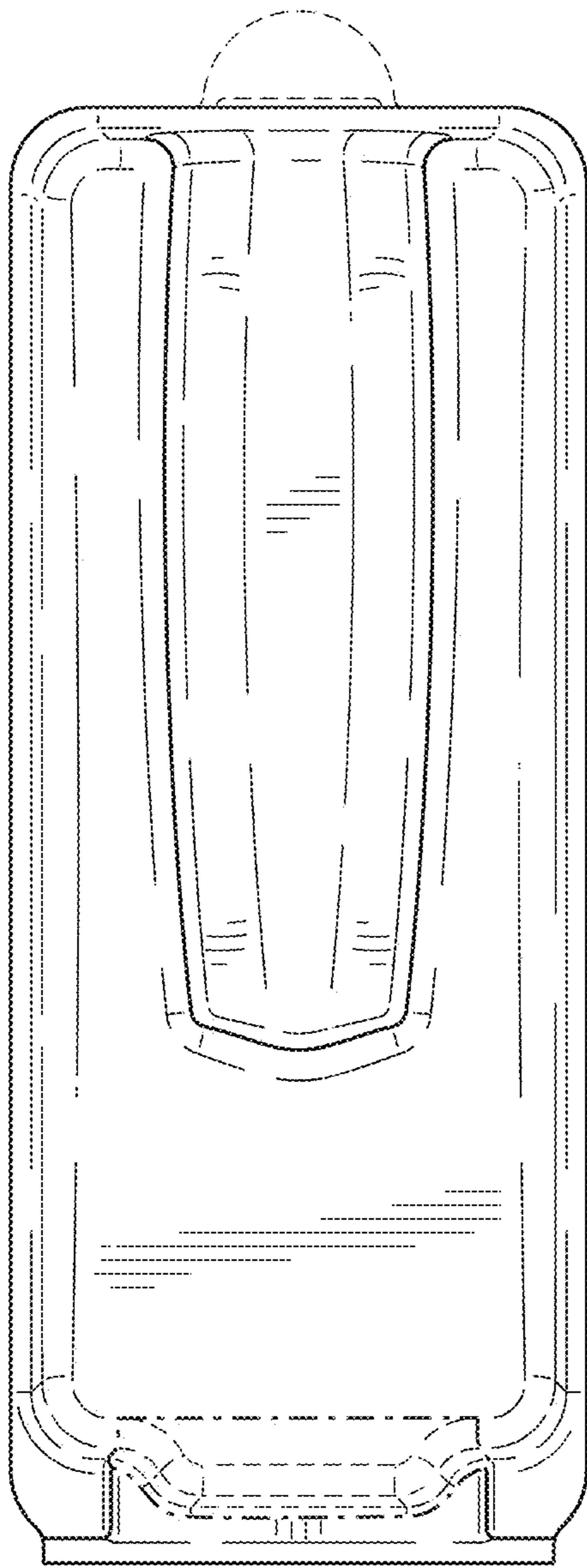


FIG. 15

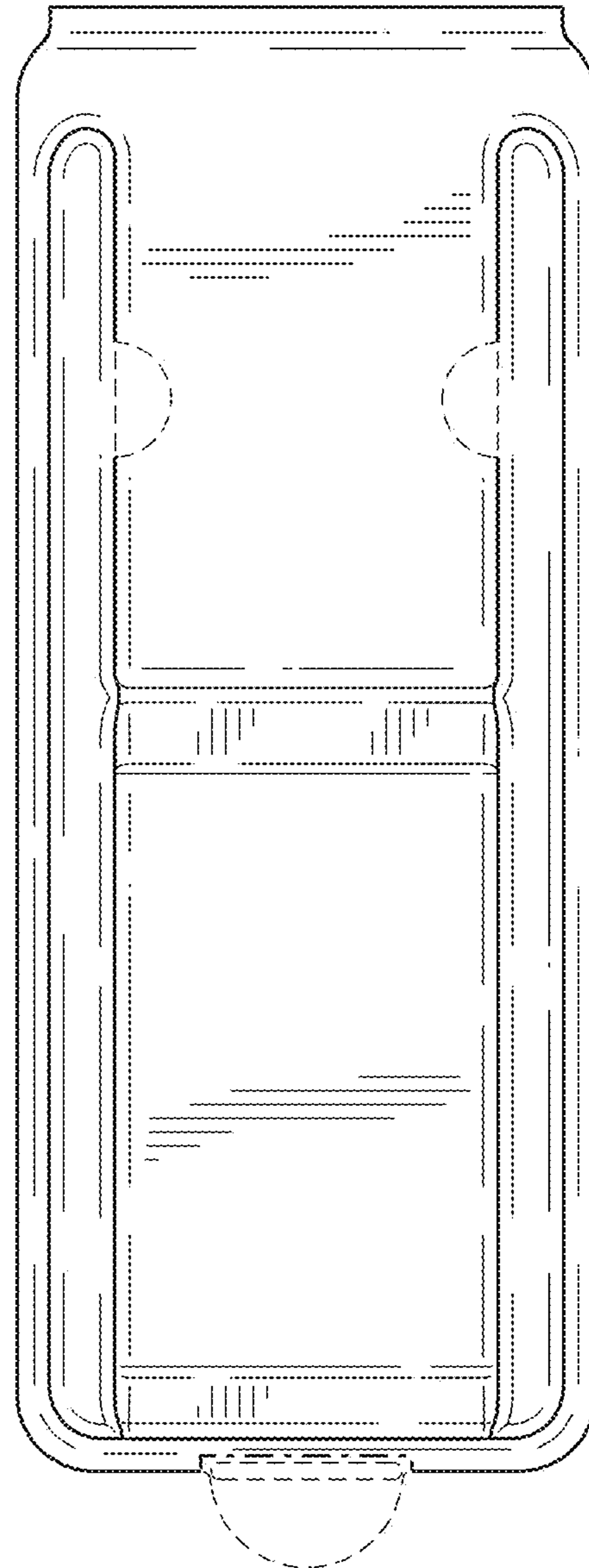


FIG. 16